



US00D972037S

(12) **United States Design Patent**
Wang

(10) **Patent No.:** **US D972,037 S**
(45) **Date of Patent:** **** Dec. 6, 2022**

(54) **GAME CONTROL PAD**

(71) Applicant: **Junzhi Wang**, Guangdong (CN)

(72) Inventor: **Junzhi Wang**, Guangdong (CN)

(**) Term: **15 Years**

(21) Appl. No.: **29/758,235**

(22) Filed: **Nov. 13, 2020**

(51) **LOC (13) Cl.** **21-01**

(52) **U.S. Cl.**
USPC **D21/333**

(58) **Field of Classification Search**

USPC D21/325, 326, 327, 333, 324, 328, 332,
D21/566, 329, 330, 694; D14/401, 400,
D14/454, 412, 496, 416, 418, 413, 203.3,
D14/203.5, 218, 415, 252, 414, 419, 457,
D14/203, 203.1, 203.7, 204, 217, 240,
D14/253, 333, 342, 357, 358, 388, 403,
D14/434, 455, 456, 410, 492, 258, 301,
D14/393, 432, 489

CPC G06F 1/1666; G06F 17/00; G06F 19/00;
A63F 9/24; A63F 13/00; A63F 13/23;
A63F 13/235; A63F 13/24; A63F 13/26;
A63F 13/843; A63F 13/98; A63F 13/323;
A63F 2009/2488; A63F 2009/2407; A63F
2250/52; A63F 2300/00; A63F
2300/1031; A63F 2300/8088; A63F
2300/1025

See application file for complete search history.

(56) **References Cited**

U.S. PATENT DOCUMENTS

D712,408 S * 9/2014 Sumii D14/401
D712,971 S * 9/2014 Huang D14/401
D715,296 S * 10/2014 Huang D14/401
D727,430 S * 4/2015 Sumii D21/333
D733,140 S * 6/2015 Sumii D14/401
D780,759 S * 3/2017 Ironmonger D14/401
D780,760 S * 3/2017 Ironmonger D14/401

D867,460 S * 11/2019 Yan D21/333
D875,179 S * 2/2020 Wang D21/333
D878,475 S * 3/2020 Jetter D21/333
D881,281 S * 4/2020 Tong D21/333
D890,263 S * 7/2020 Tong D21/333
D923,097 S * 6/2021 Zhao D21/333
D923,100 S * 6/2021 Zhou D21/333
D935,460 S * 11/2021 Zhu D14/401
2017/0151494 A1 * 6/2017 Ironmonger A63F 13/22
2018/0104574 A1 * 4/2018 Tager A63F 13/20
2019/0388779 A1 * 12/2019 Morita A63F 13/214
2020/0016485 A1 * 1/2020 Ironmonger A63F 13/24
2020/0054940 A1 * 2/2020 Andall G06F 3/038
2021/0060414 A1 * 3/2021 Goldman A63F 13/218

(Continued)

OTHER PUBLICATIONS

YU33 Gold Wireless Game Controller. Date First Available: Feb. 19, 2020. Retrieved from internet: <<https://www.amazon.com/Wireless-Controller-Remote-Playstation-Charging/dp/B084GLRGDX>> [site visited Mar. 10, 2022] (Year: 2020).*

(Continued)

Primary Examiner — Katherine Glennon

Assistant Examiner — Yuan Yuan

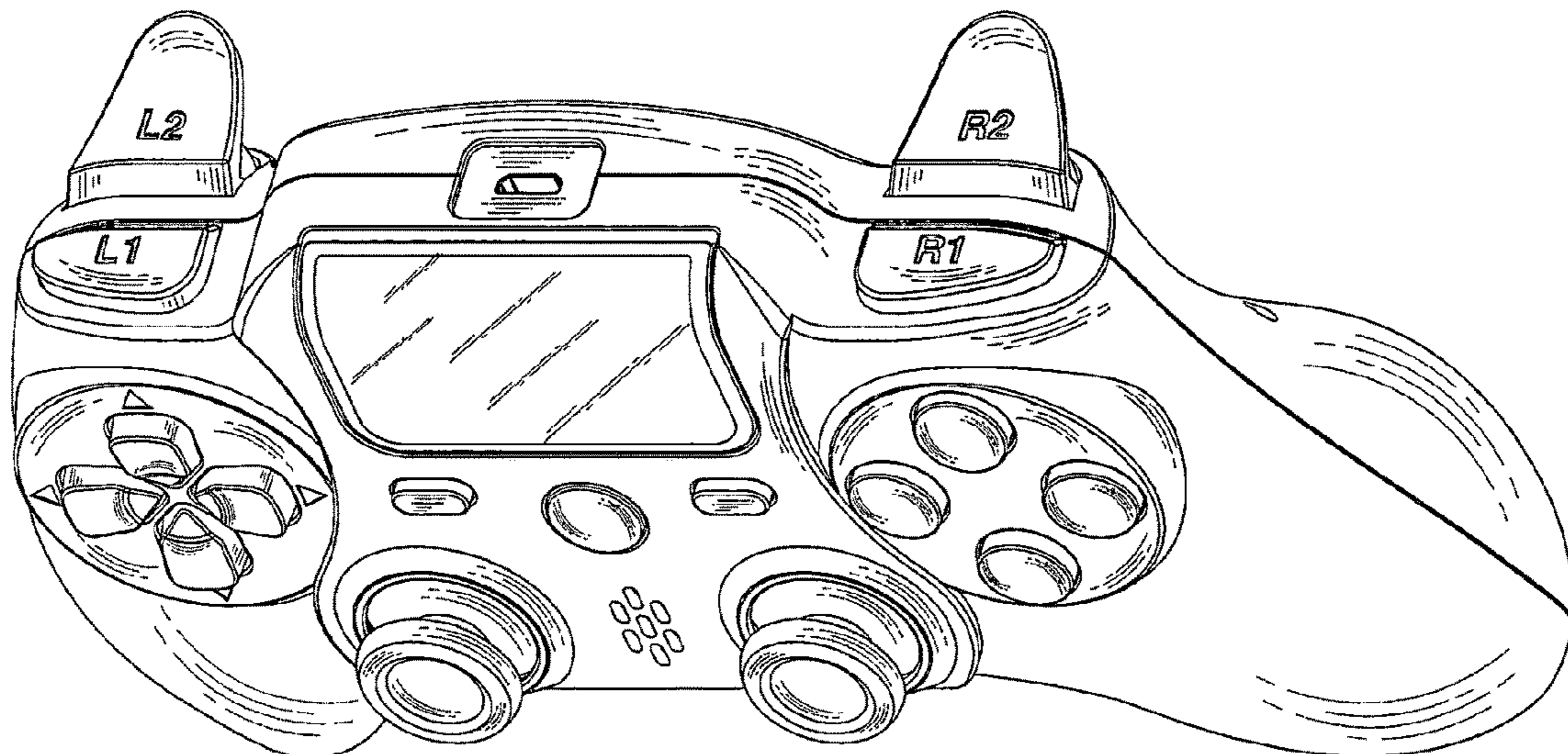
(57) **CLAIM**

The ornamental design for a game control pad, as shown and described.

DESCRIPTION

FIG. 1 is a front and top perspective view of a game control pad showing my new design;
FIG. 2 is a rear perspective view thereof;
FIG. 3 is a front elevation view thereof;
FIG. 4 is a rear elevation view thereof;
FIG. 5 is a left side elevation view thereof;
FIG. 6 is a right side elevation view thereof;
FIG. 7 is a top plan view thereof; and,
FIG. 8 is a bottom plan view thereof.

1 Claim, 8 Drawing Sheets



(56)

References Cited

U.S. PATENT DOCUMENTS

2021/0060418 A1* 3/2021 Kawashima G06F 3/016
2021/0299552 A1* 9/2021 Morita H04R 3/005
2021/0299554 A1* 9/2021 Kobayashi A63F 13/21
2022/0016520 A1* 1/2022 Morita H04R 1/406

OTHER PUBLICATIONS

Sakura Pink Girl Series Game Controller. Date First Available: Feb. 1, 2019. Retrieved from internet: <<https://www.amazon.com/PS4-Controller-Wireless-Playstation-Indicator/dp/B0875N4DHK>> [site visited Mar. 10, 2022] (Year: 2019).*

* cited by examiner

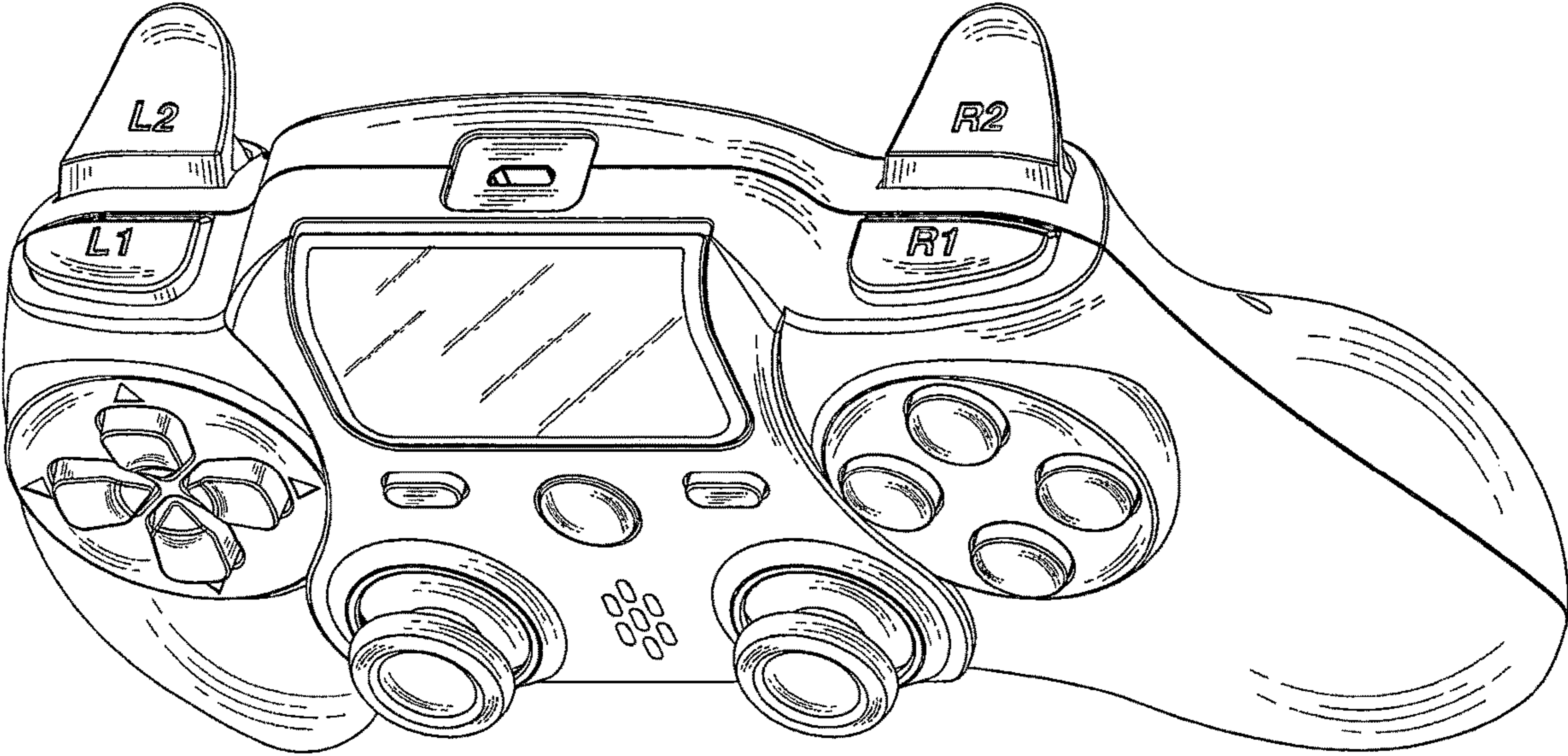


FIG. 1

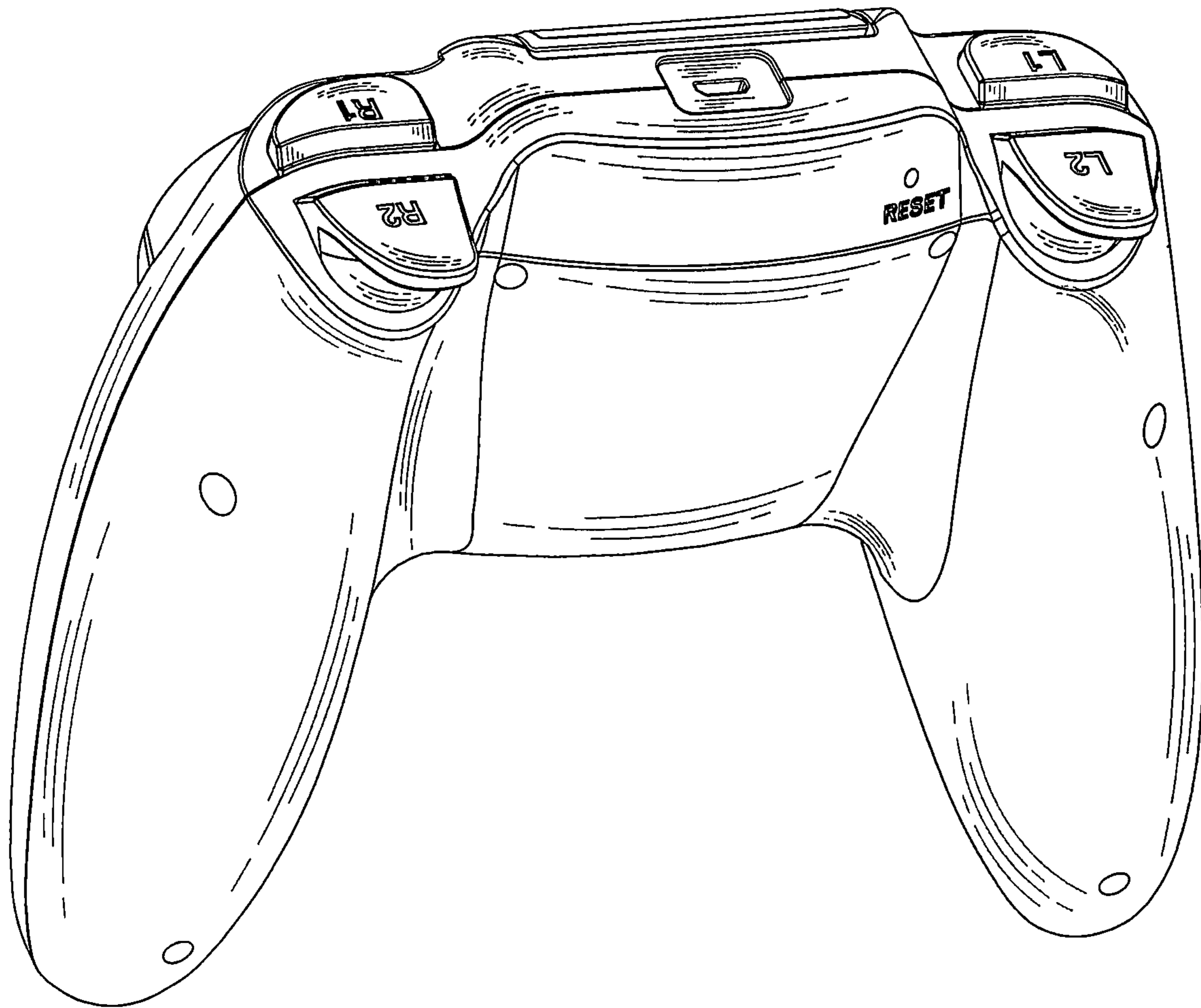


FIG. 2

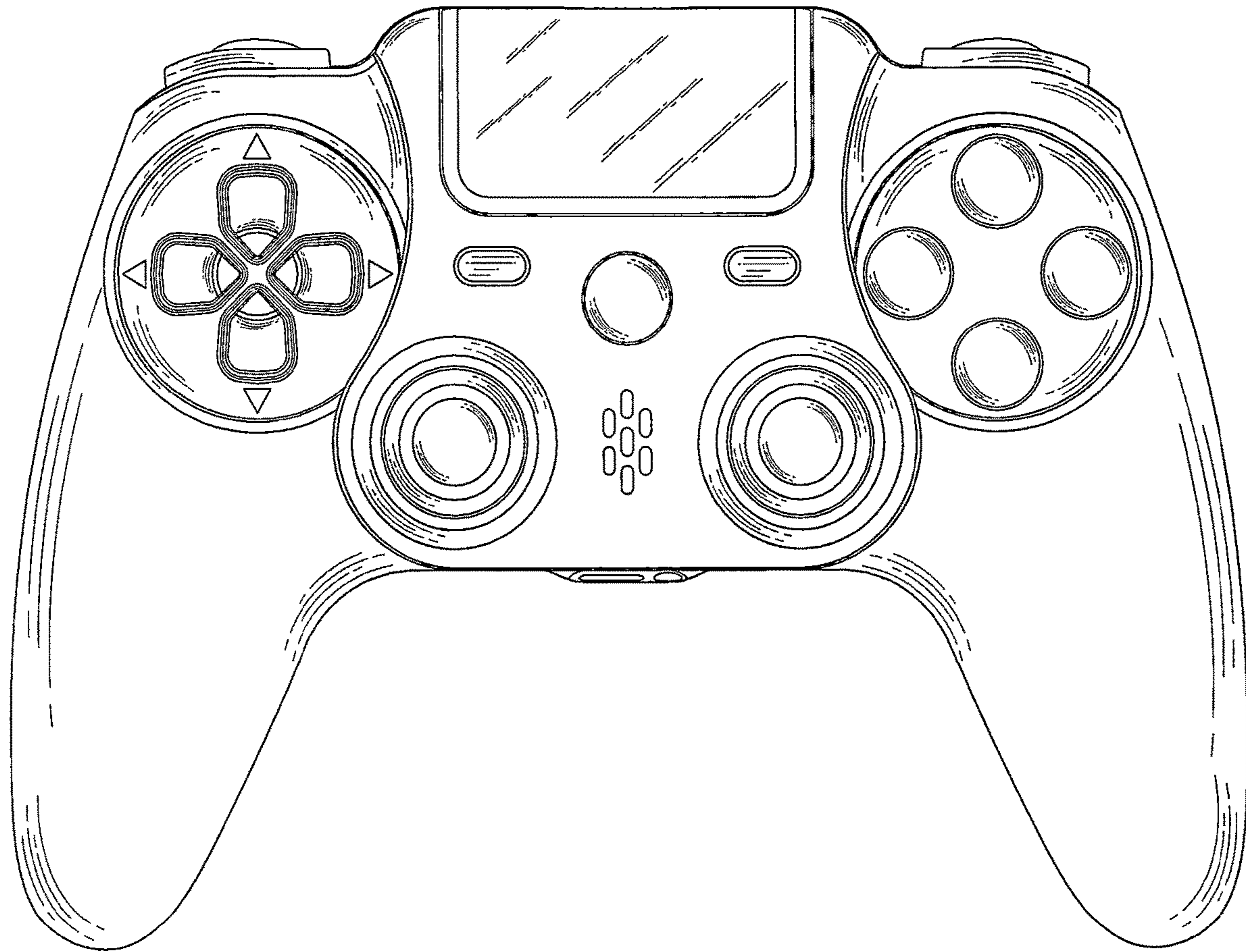


FIG. 3

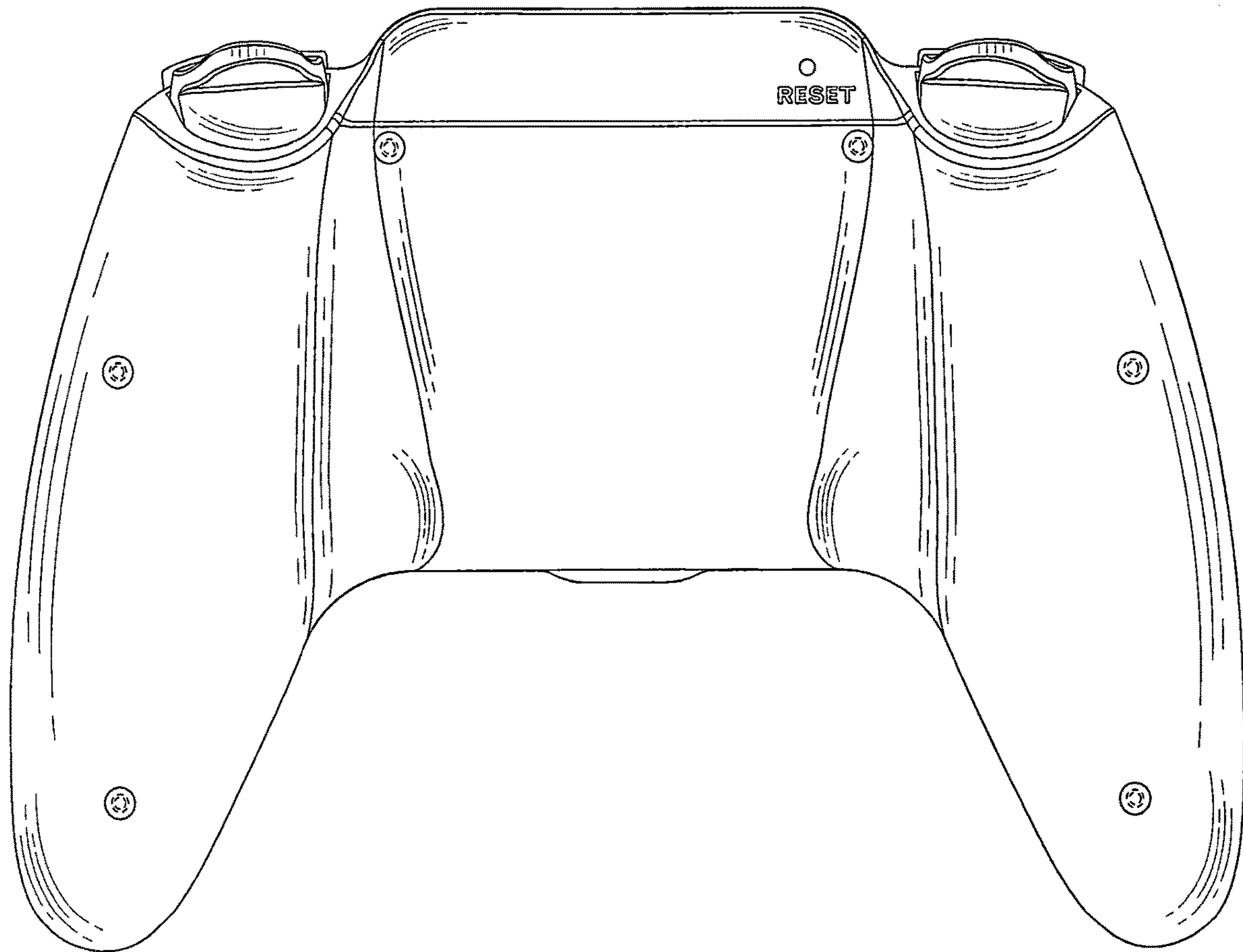


FIG. 4

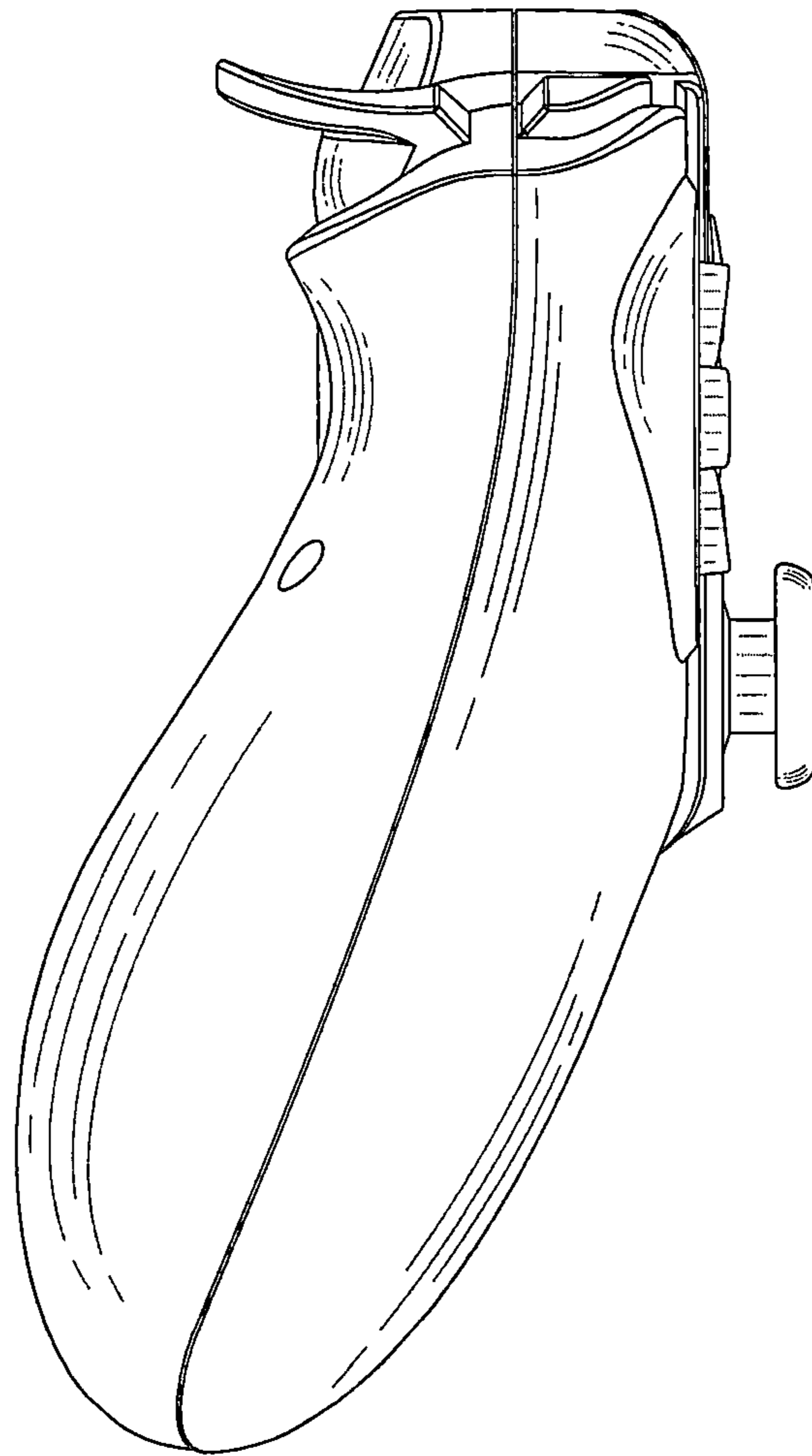


FIG. 5

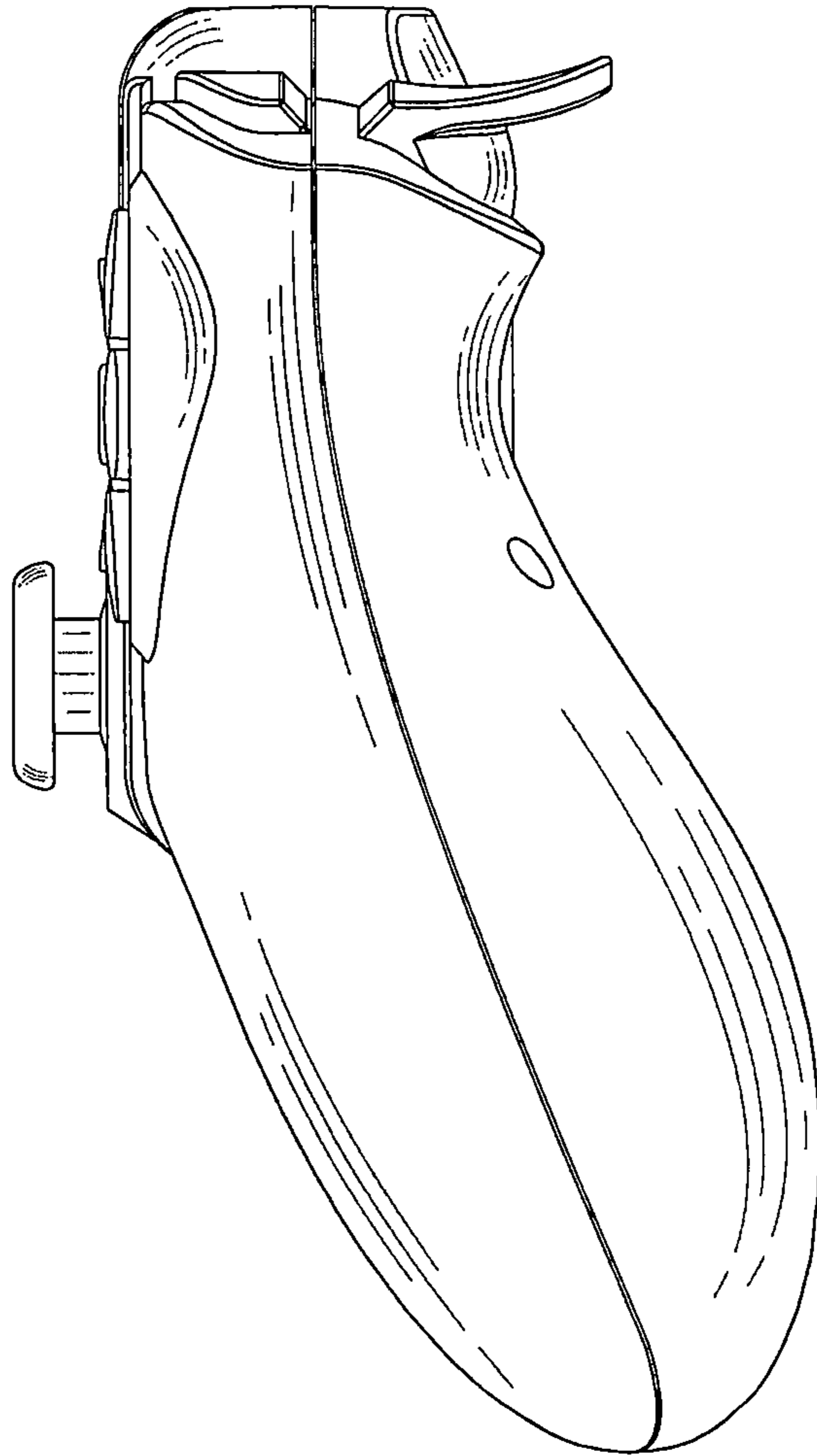


FIG. 6

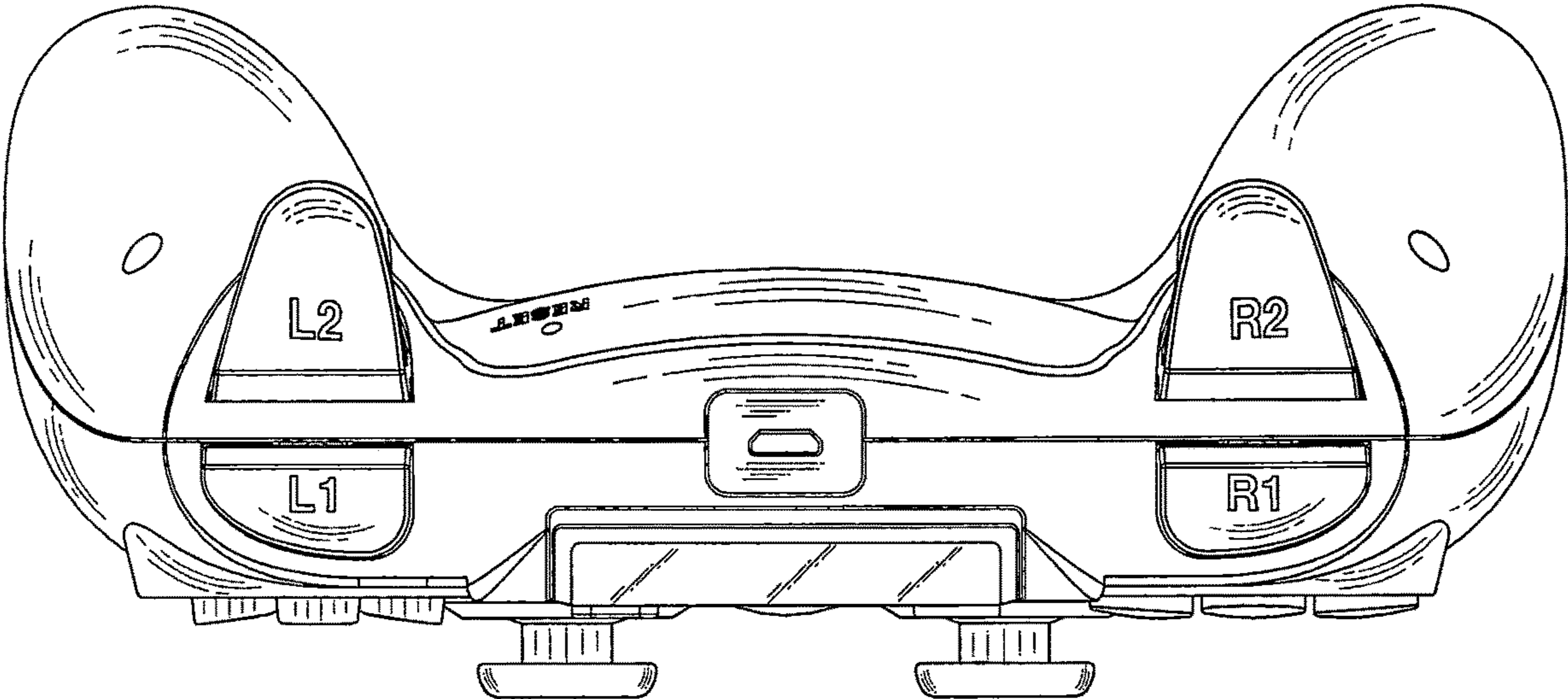


FIG. 7

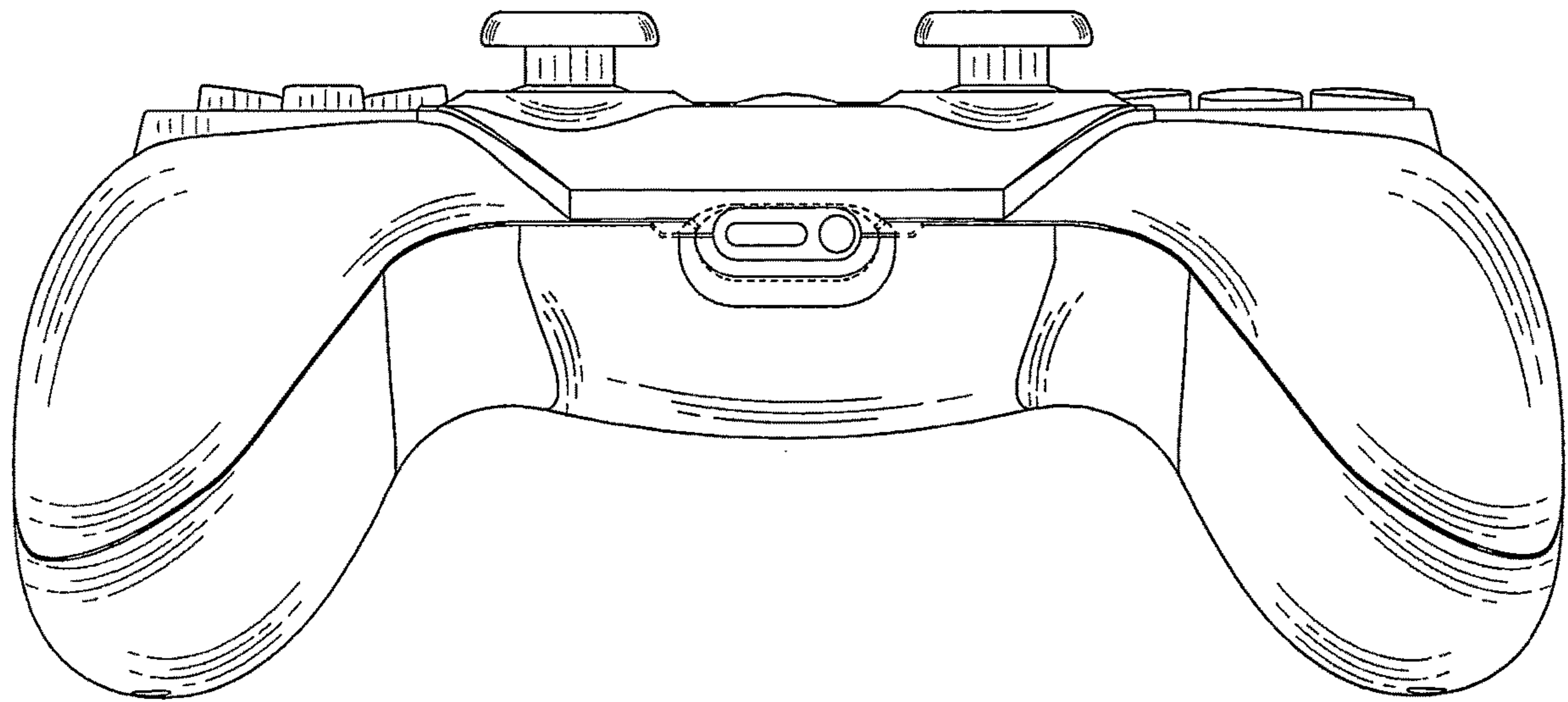


FIG. 8