



US00D972036S

(12) **United States Design Patent** (10) **Patent No.:** **US D972,036 S**
Wu (45) **Date of Patent:** **** Dec. 6, 2022**

- (54) **FAST SLING PUCK GAME SET**
- (71) Applicant: **Global Creative Marketing Inc.**, City of Industry, CA (US)
- (72) Inventor: **Guohua Wu**, JinHua (CN)
- (73) Assignee: **Global Creative Marketing Inc.**
- (**) Term: **15 Years**
- (21) Appl. No.: **29/817,001**
- (22) Filed: **Nov. 27, 2021**
- (51) **LOC (13) Cl.** **21-01**
- (52) **U.S. Cl.**
USPC **D21/318**
- (58) **Field of Classification Search**
USPC D21/300, 302, 312, 313, 317, 318, 334, D21/335, 338, 339, 349, 357, 365, 386, D21/456, 784; D7/550.1, 551.1, 553.2, D7/554.3; D6/668.1
CPC A63F 7/0668; A63F 7/0005; A63F 7/3603
See application file for complete search history.

5,074,556 A * 12/1991 Loeppky A63F 7/0668
D21/339
D326,481 S * 5/1992 Pritchett D21/365
5,242,164 A * 9/1993 Nicoll A63F 7/0668
273/317.1

(Continued)

OTHER PUBLICATIONS

“Kiditos Fast Sling Puck Game” available from Apr. 9, 2021 [Online], [retrieved Jun. 29, 2022]. Retrieved from Internet: https://www.ubuy.gt/en/product/PCVJU3O-fast-sling-puck-game-large-2v2-tabletop-family-battle-board-game-3-levels-slingshot-wooden-hockey-ga.*

Primary Examiner — Mehri F Bajoul

(57) **CLAIM**

The ornamental design for a fast sling puck game set, as shown and described.

DESCRIPTION

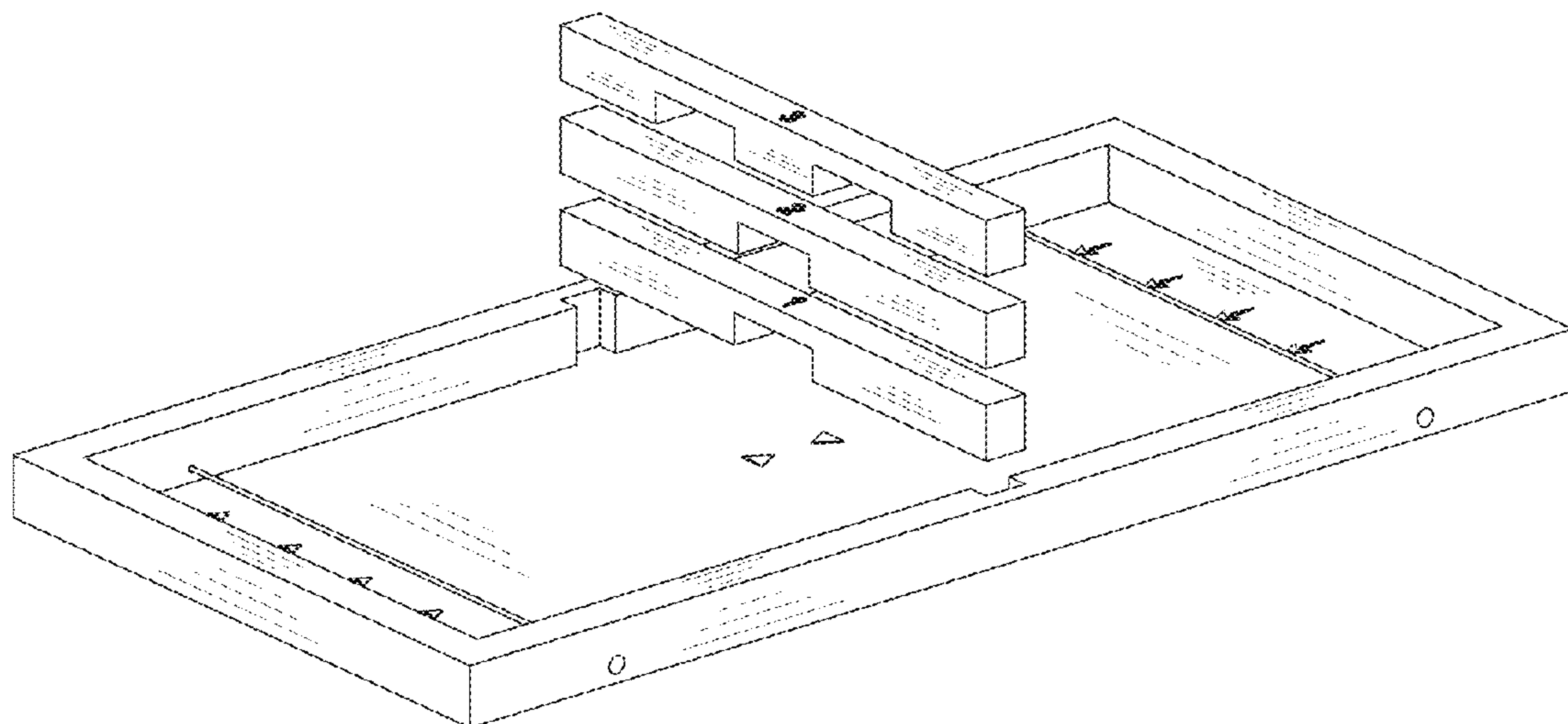
FIG. 1 is a perspective view of a fast sling puck game set showing my new design in an exploded state comprising a game board and three gates;
 FIG. 2 is a perspective view thereof, showing the board portion and the gate 1 separately for ease of illustration;
 FIG. 3 is another perspective view thereof, showing the board portion and the gate 2 separately for ease of illustration;
 FIG. 4 is another perspective view thereof, showing the board portion and the gate 3 separately for ease of illustration;
 FIG. 5 is a front elevation view of the fast sling puck game set shown separately from the gates for the ease of illustration;
 FIG. 6 is a back elevation view thereof;
 FIG. 7 is a left elevation view thereof;
 FIG. 8 is a right elevation view thereof;
 FIG. 9 is a top plan view thereof; and,
 FIG. 10 is a bottom plan view thereof.

1 Claim, 10 Drawing Sheets

(56) **References Cited**

U.S. PATENT DOCUMENTS

- D167,066 S * 6/1952 Bronson D21/312
- D186,234 S * 9/1959 Parnell D21/341
- 3,591,176 A * 7/1971 Roth A63D 15/08
473/340
- D238,290 S * 12/1975 Dobbs D21/392
- 3,989,244 A * 11/1976 Wadina A63D 15/006
473/2
- D245,718 S * 9/1977 Maloney, II D21/318
- 4,166,620 A * 9/1979 Sheppard A63F 7/0017
273/127 B
- D264,357 S * 5/1982 Martin D21/341
- D267,960 S * 2/1983 Moore D21/335
- 4,560,163 A * 12/1985 Erickson A63F 7/0668
273/108.1
- D294,720 S * 3/1988 MacDowell D21/318
- 4,982,966 A * 1/1991 Teafatiller A63B 67/06
273/338



(56)

References Cited

U.S. PATENT DOCUMENTS

D345,384	S *	3/1994	Tataryn	D21/339
D347,026	S *	5/1994	Young	D21/318
D354,920	S *	1/1995	Moradinia	D21/345
5,735,749	A *	4/1998	Charbel	A63D 15/00 473/412
5,785,615	A *	7/1998	Kosmalski	A63B 67/04 273/108.5
5,882,007	A *	3/1999	Gay	A63F 7/0668 273/108.1
D408,459	S *	4/1999	Schwarz	D21/318
D425,136	S	5/2000	Martin, Sr.	
D498,266	S *	11/2004	Reeves, Jr.	D21/318
D592,253	S *	5/2009	Resetarits	D21/373
7,621,530	B2 *	11/2009	Lany	A63F 7/0005 273/126 R
D880,598	S *	4/2020	Engler	D21/318
D932,548	S *	10/2021	Engler	D21/312
2009/0115136	A1 *	5/2009	Voden	A63B 21/0054 273/245

* cited by examiner

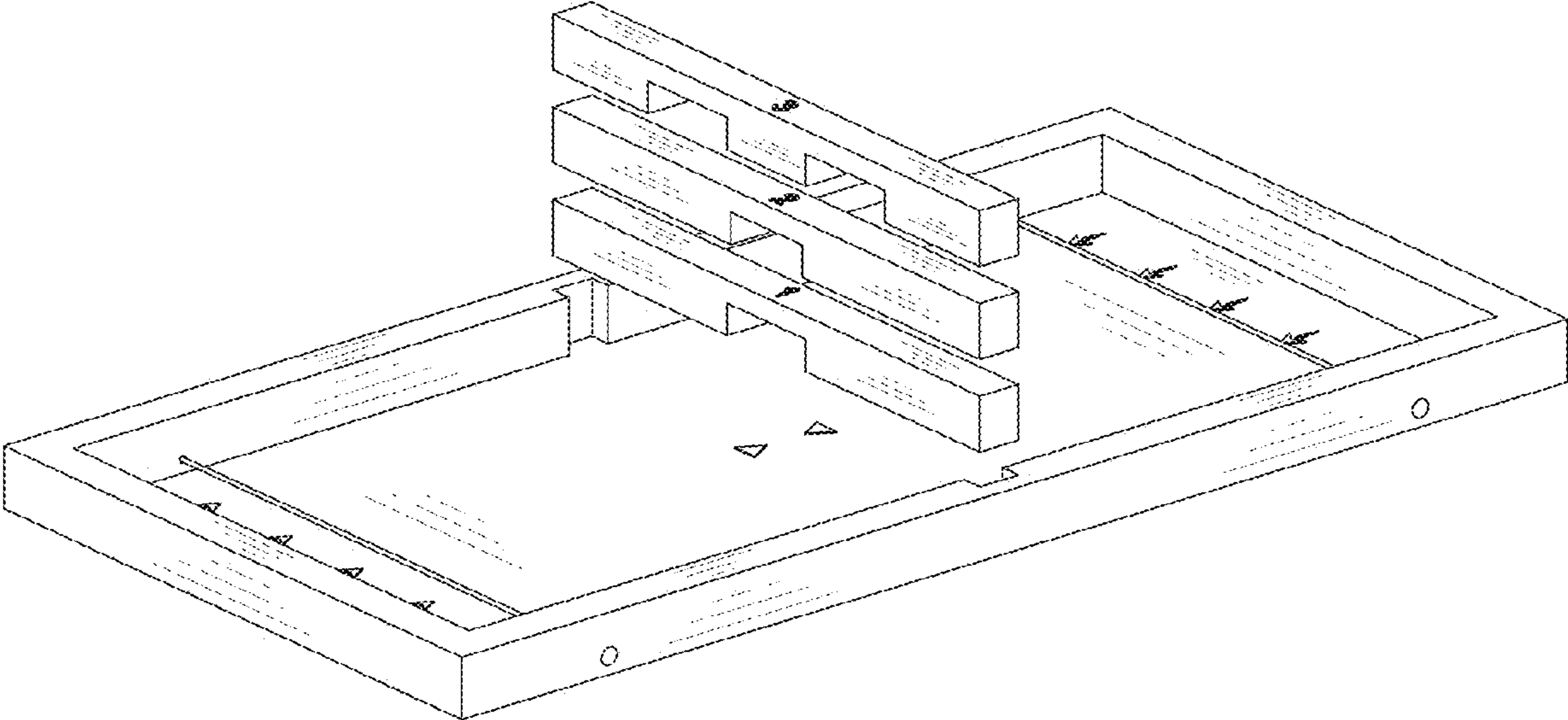


FIG. 1

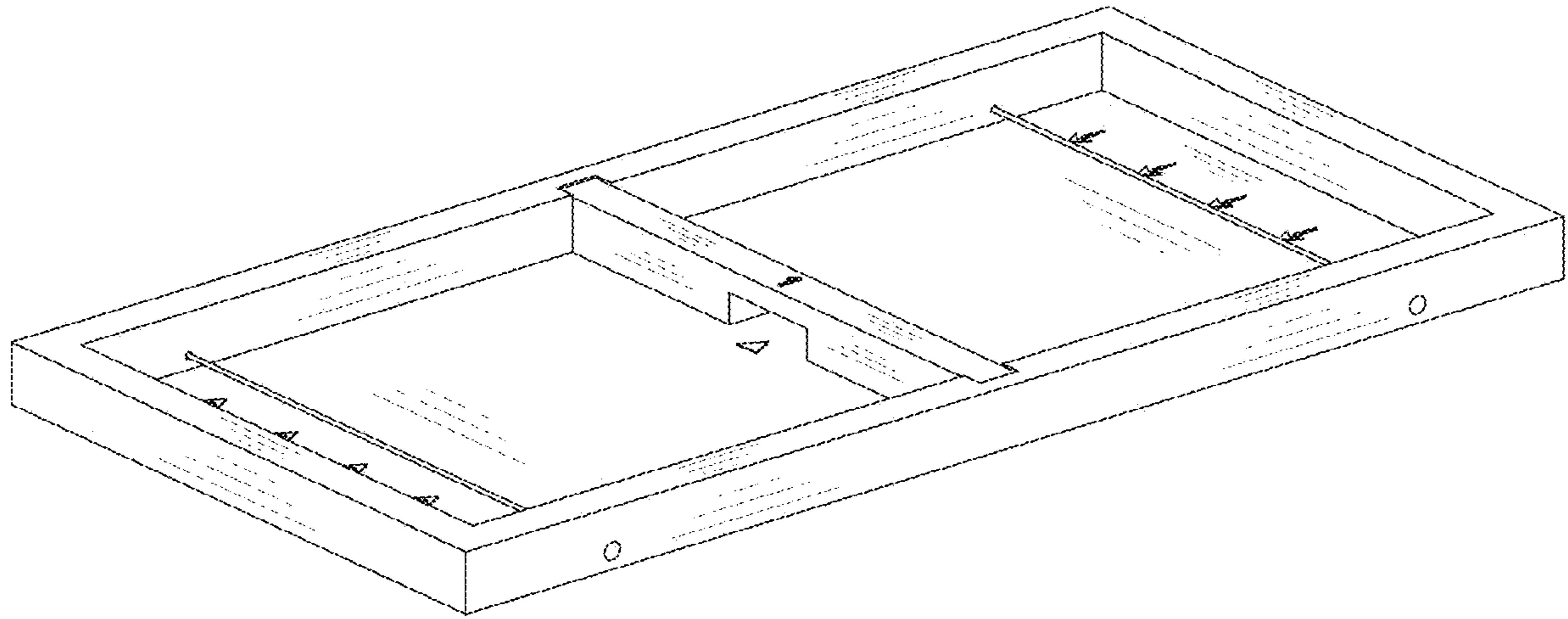


FIG. 2

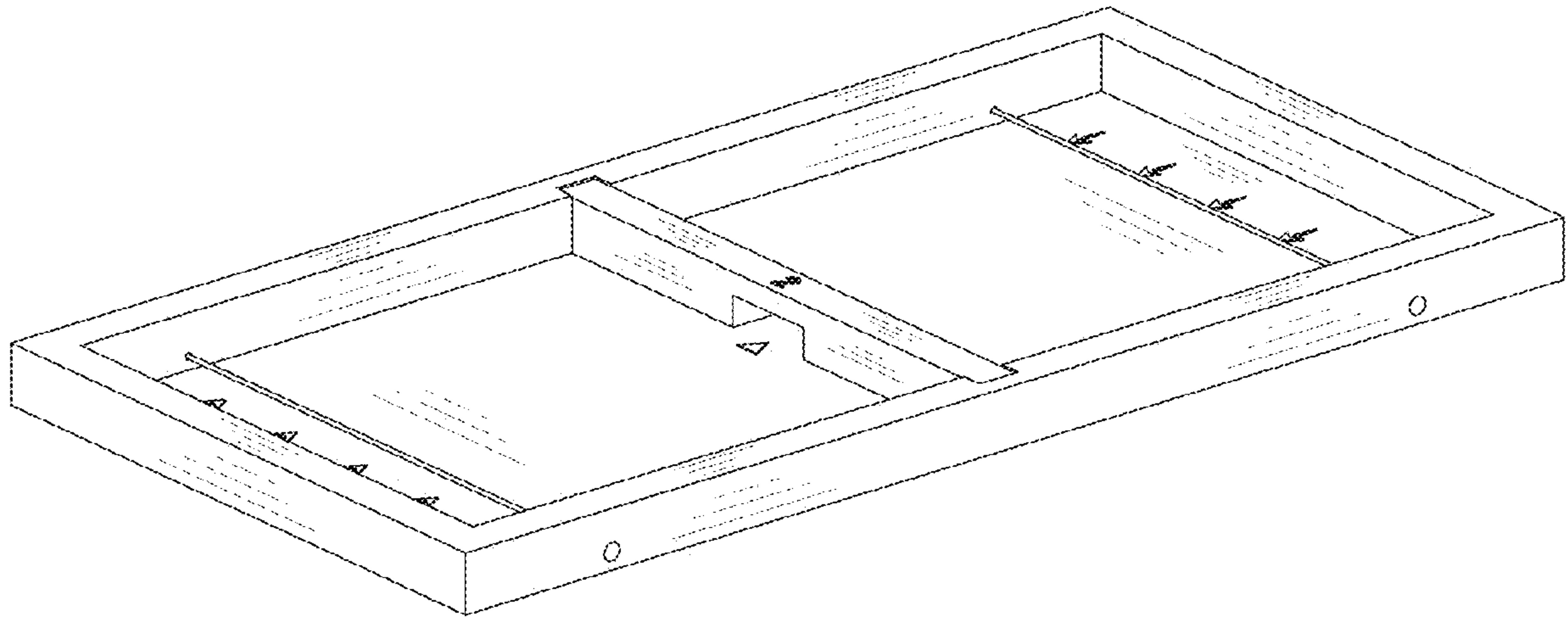


FIG. 3

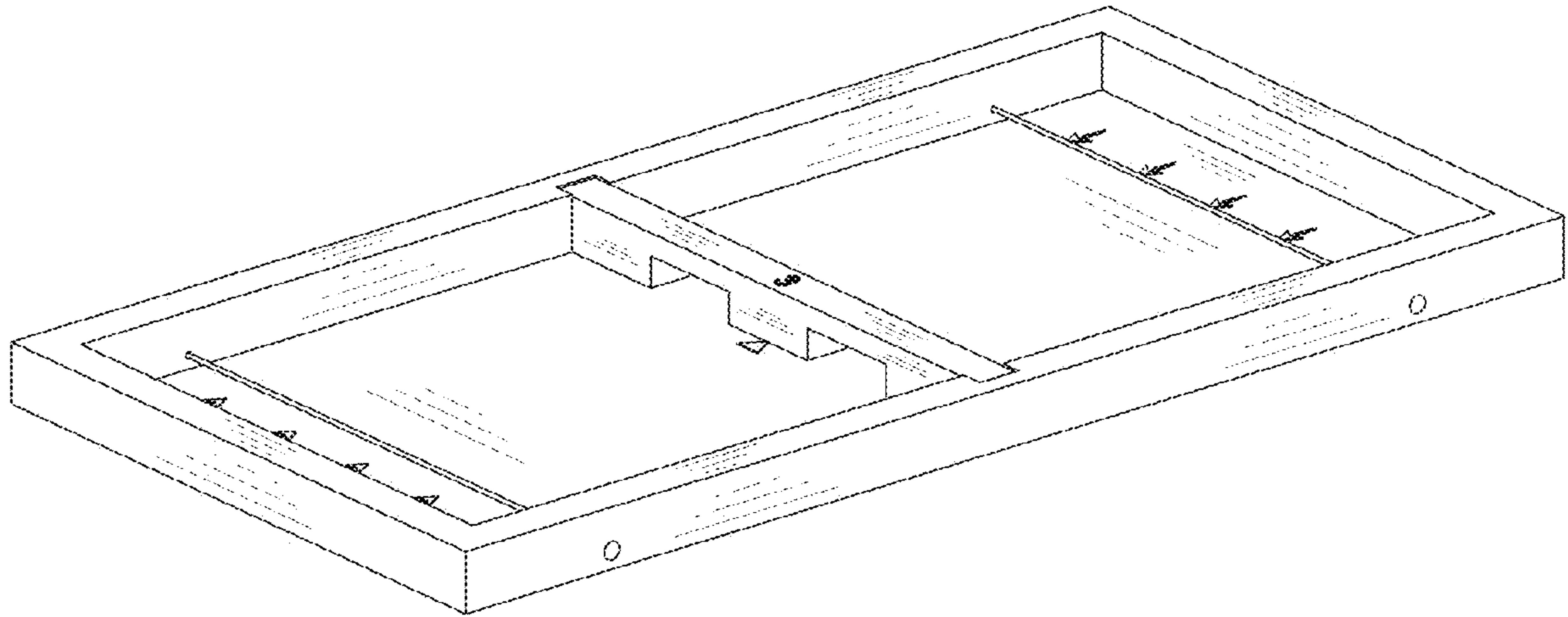


FIG. 4

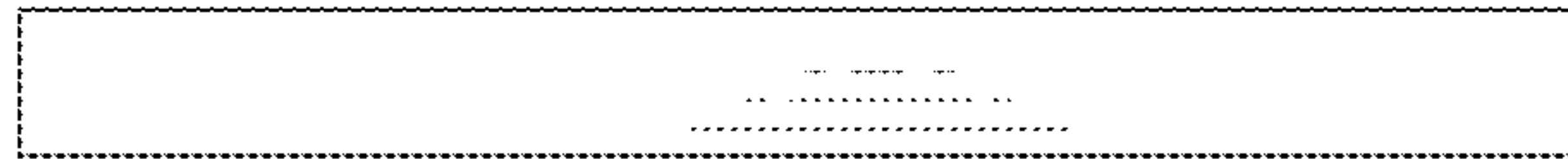


FIG. 5

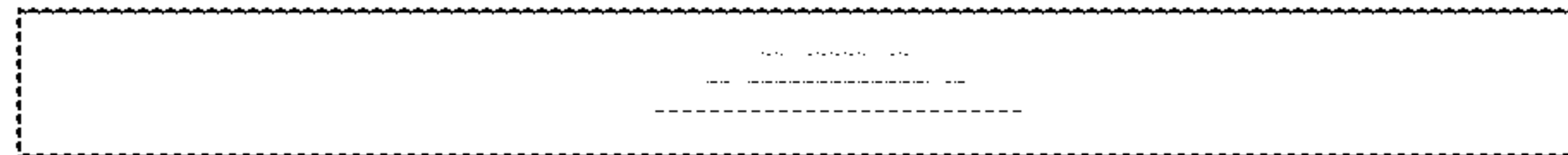


FIG. 6



FIG. 7



FIG. 8

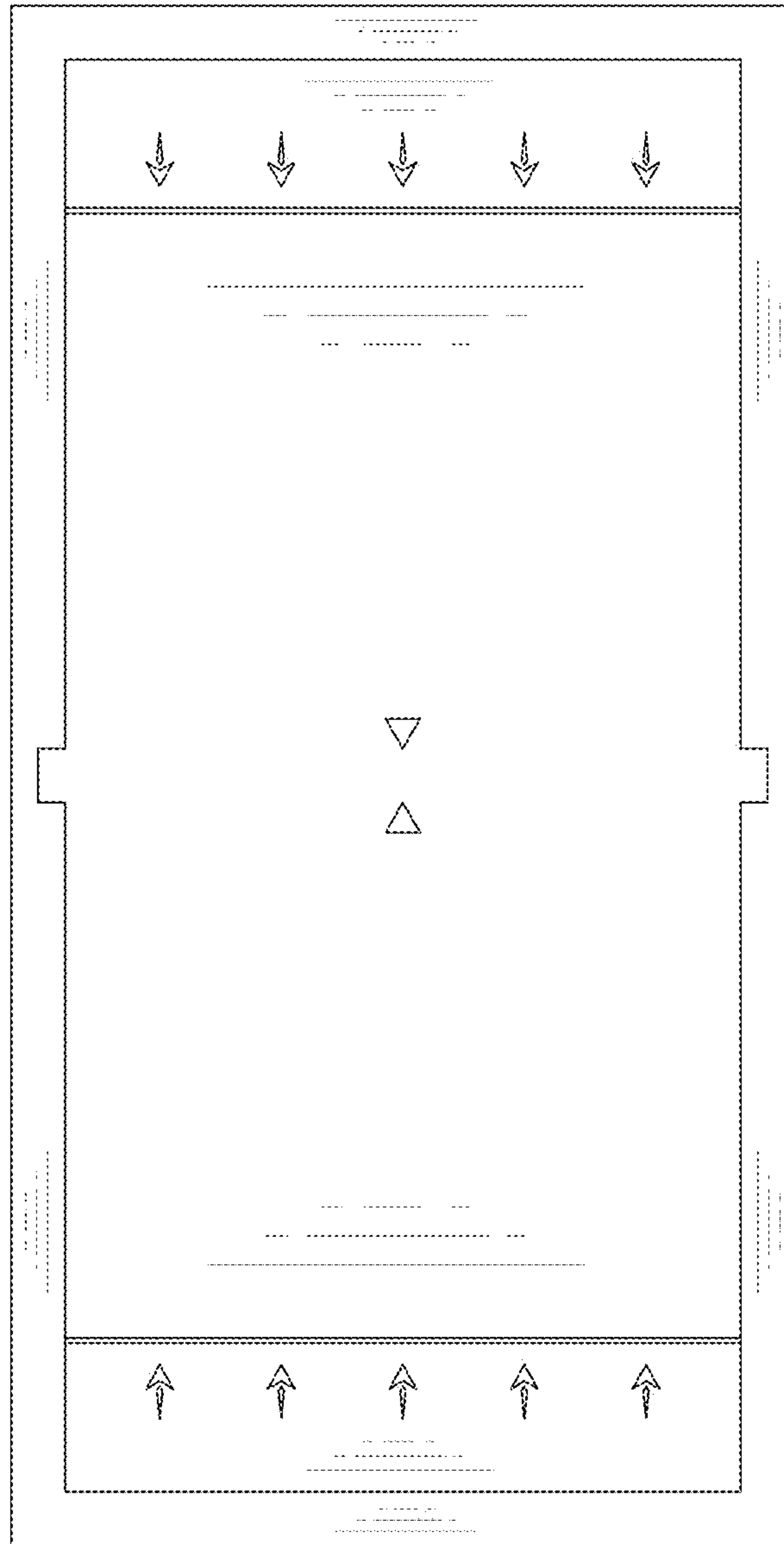


FIG. 9

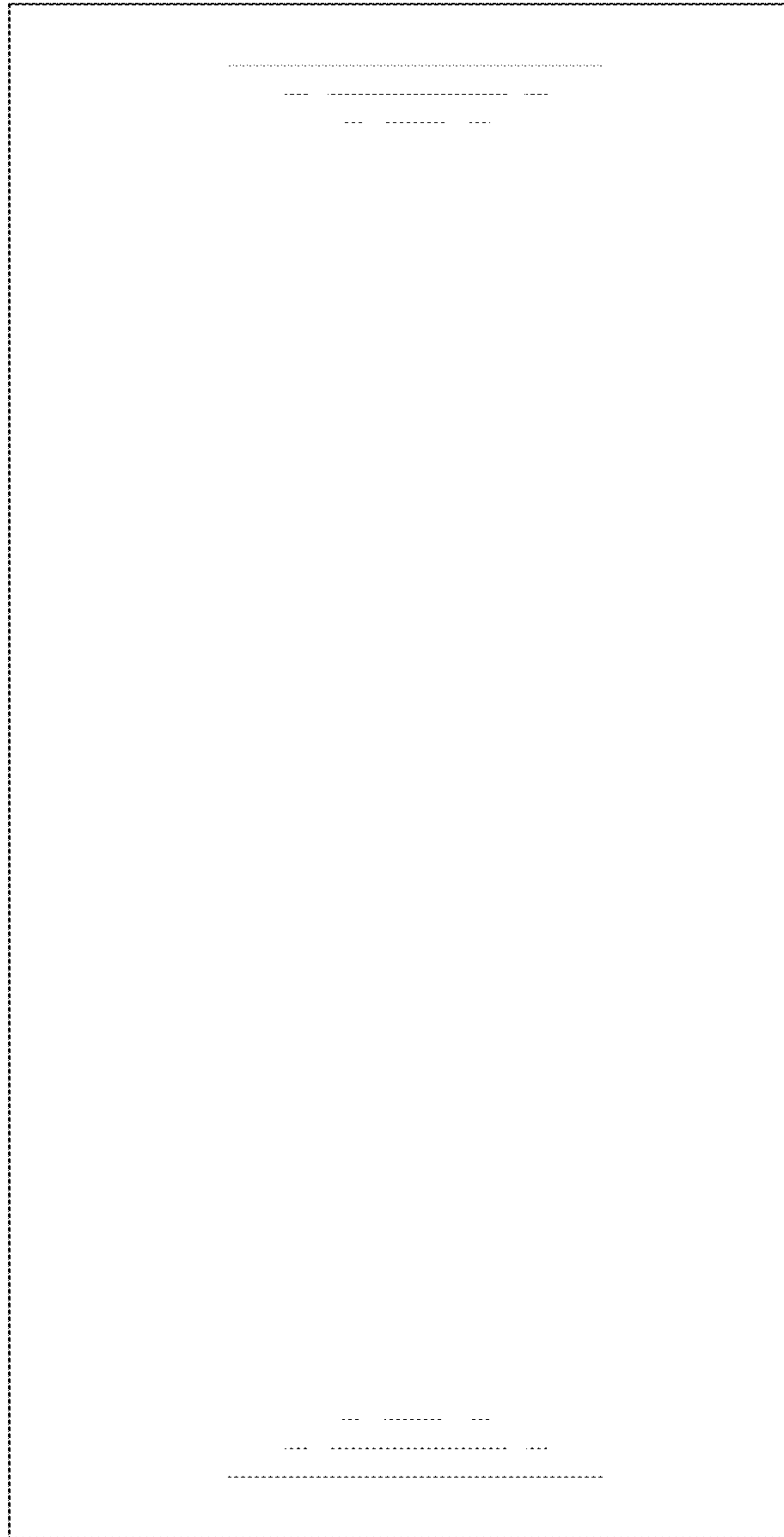


FIG. 10