

US00D972035S

(12) **United States Design Patent**
Huang

(10) **Patent No.:** **US D972,035 S**

(45) **Date of Patent:** **** Dec. 6, 2022**

- (54) **TOY**
- (71) Applicant: **Jinjian Huang, Yunhe (CN)**
- (72) Inventor: **Jinjian Huang, Yunhe (CN)**
- (**) Term: **15 Years**
- (21) Appl. No.: **29/766,783**
- (22) Filed: **Jan. 19, 2021**
- (51) **LOC (13) Cl.** **21-01**
- (52) **U.S. Cl.**
USPC **D21/300**
- (58) **Field of Classification Search**
USPC D21/398, 401, 402, 405, 407, 409, 404,
D21/425, 455, 468, 470, 473, 474, 475,
D21/476, 534, 535, 536, 537, 655
CPC A63H 23/00; A63H 23/10; A63H 3/14;
A63H 23/16; A63H 29/10; A63H 29/12;
A63H 29/14; A63H 33/00; A63H 33/006;
A63H 33/28; A63H 33/30; A63H
33/3038; A63H 33/42
See application file for complete search history.

(56) **References Cited**

U.S. PATENT DOCUMENTS

- D141,091 S * 5/1945 Coble D21/455
- D141,514 S * 6/1945 Wolf D21/455
- D351,631 S * 10/1994 Thomsen D21/485
- D513,283 S * 12/2005 Wampler D21/562
- D764,743 S * 8/2016 Ortiz D21/300
- D794,133 S * 8/2017 Ostergaard D21/425

- D818,054 S * 5/2018 McLachlan D21/468
- D838,782 S * 1/2019 Brown D21/400
- D840,476 S * 2/2019 Sheldon D21/513
- D879,205 S * 3/2020 Ostergaard D21/425
- D894,295 S * 8/2020 Zhou D21/468
- D899,524 S * 10/2020 Maruyama D21/300
- D910,776 S * 2/2021 Chen D21/474
- D924,337 S * 7/2021 Sakai D21/535

* cited by examiner

Primary Examiner — Mehri F Bajoul

(74) *Attorney, Agent, or Firm* — Rumit R. Kanakia

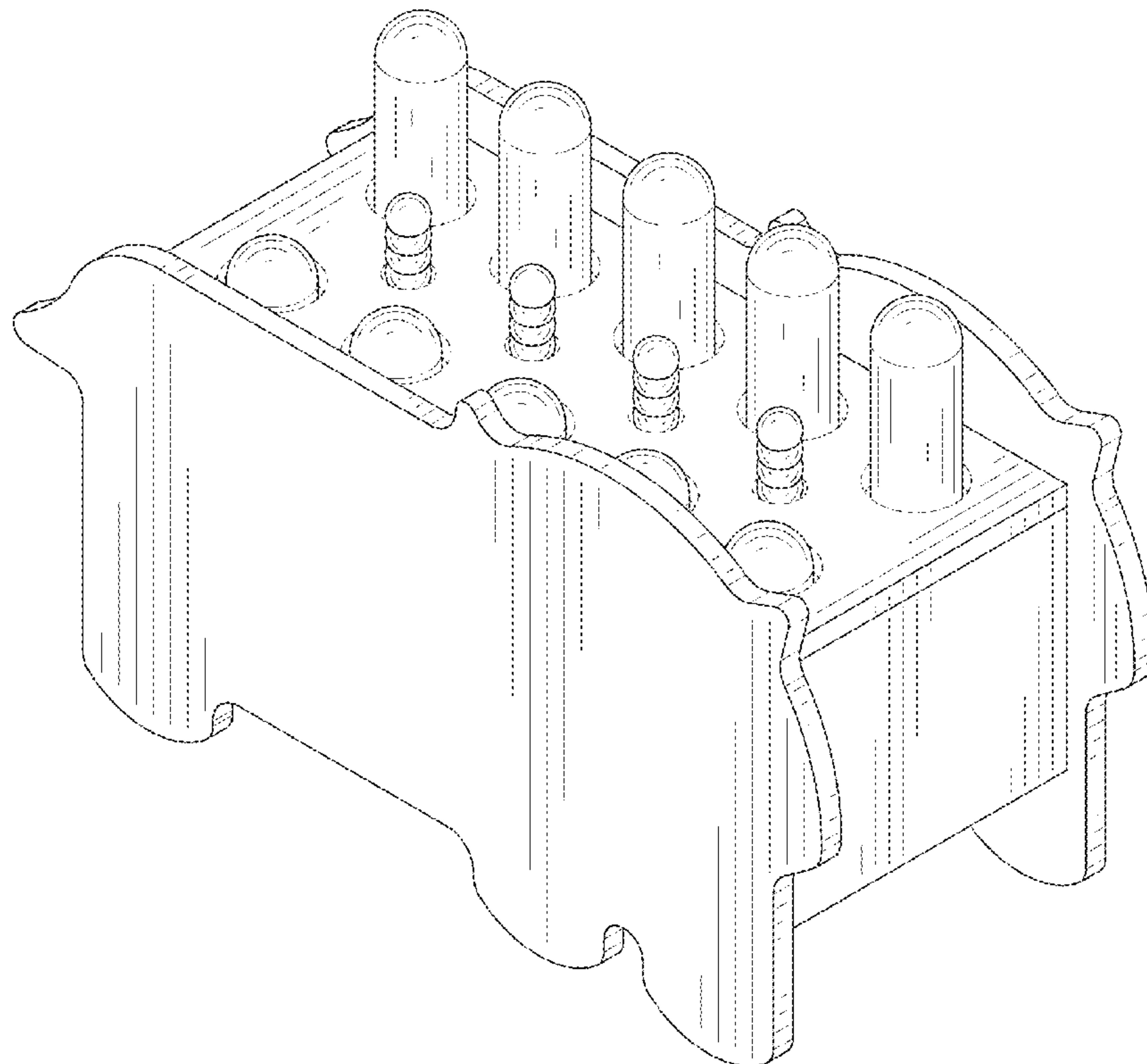
(57) **CLAIM**

The ornamental design for a toy, as shown and described.

DESCRIPTION

FIG. 1 is a top front right perspective view of a toy showing my new design;
 FIG. 2 is a back bottom left perspective view thereof;
 FIG. 3 is a front elevational view thereof;
 FIG. 4 is a back view elevational thereof;
 FIG. 5 is a left side view elevational thereof;
 FIG. 6 is a right side elevational view thereof;
 FIG. 7 is a top plan view thereof;
 FIG. 8 is a bottom plan view thereof; and,
 FIG. 9 is a top front right perspective view of toy thereof; showing the claimed design in condition of use.
 The broken line showing of hammer in FIG. 9 depict environmental structure of the toy that form no part of the claimed design.

1 Claim, 9 Drawing Sheets



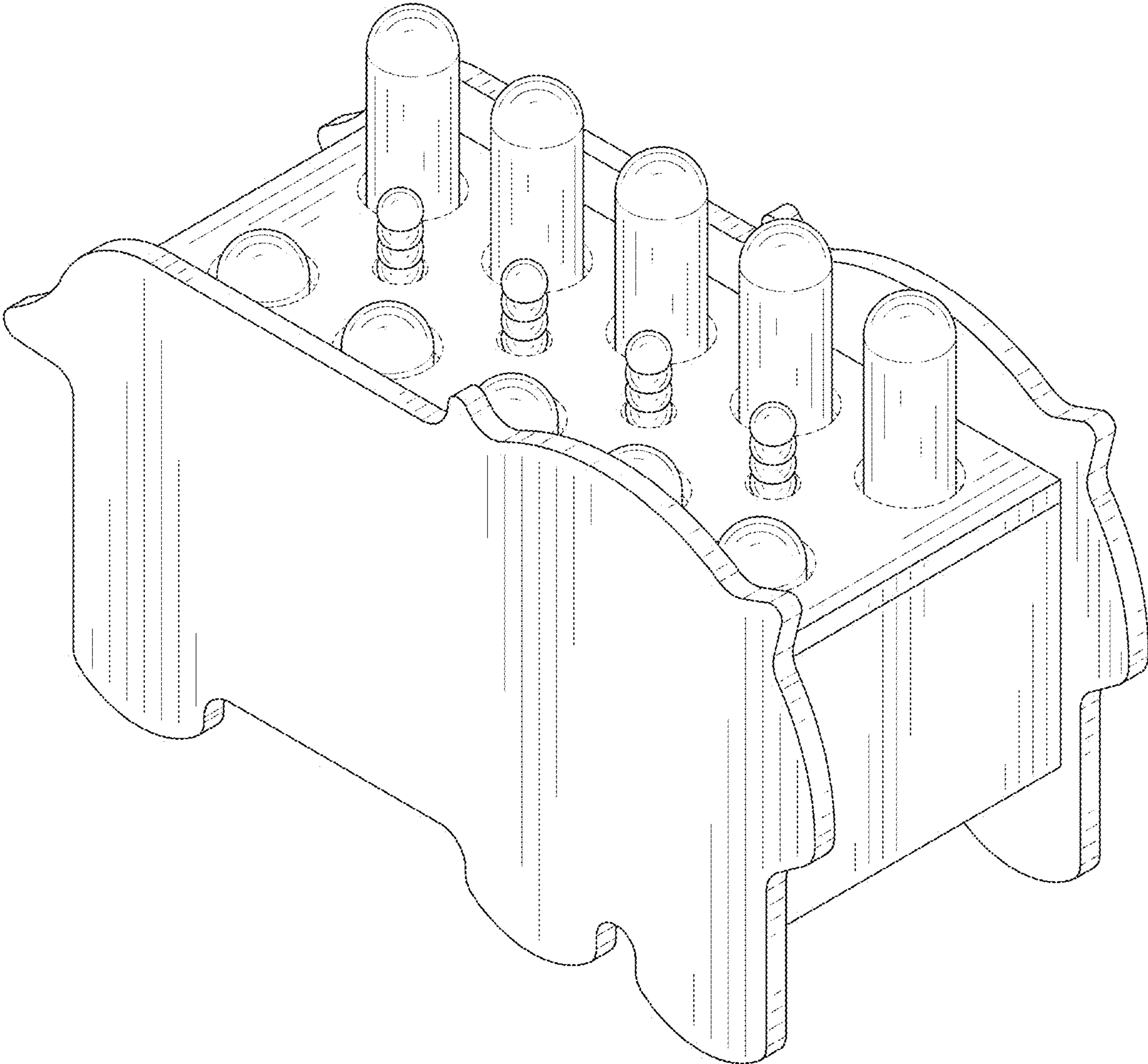


FIG. 1

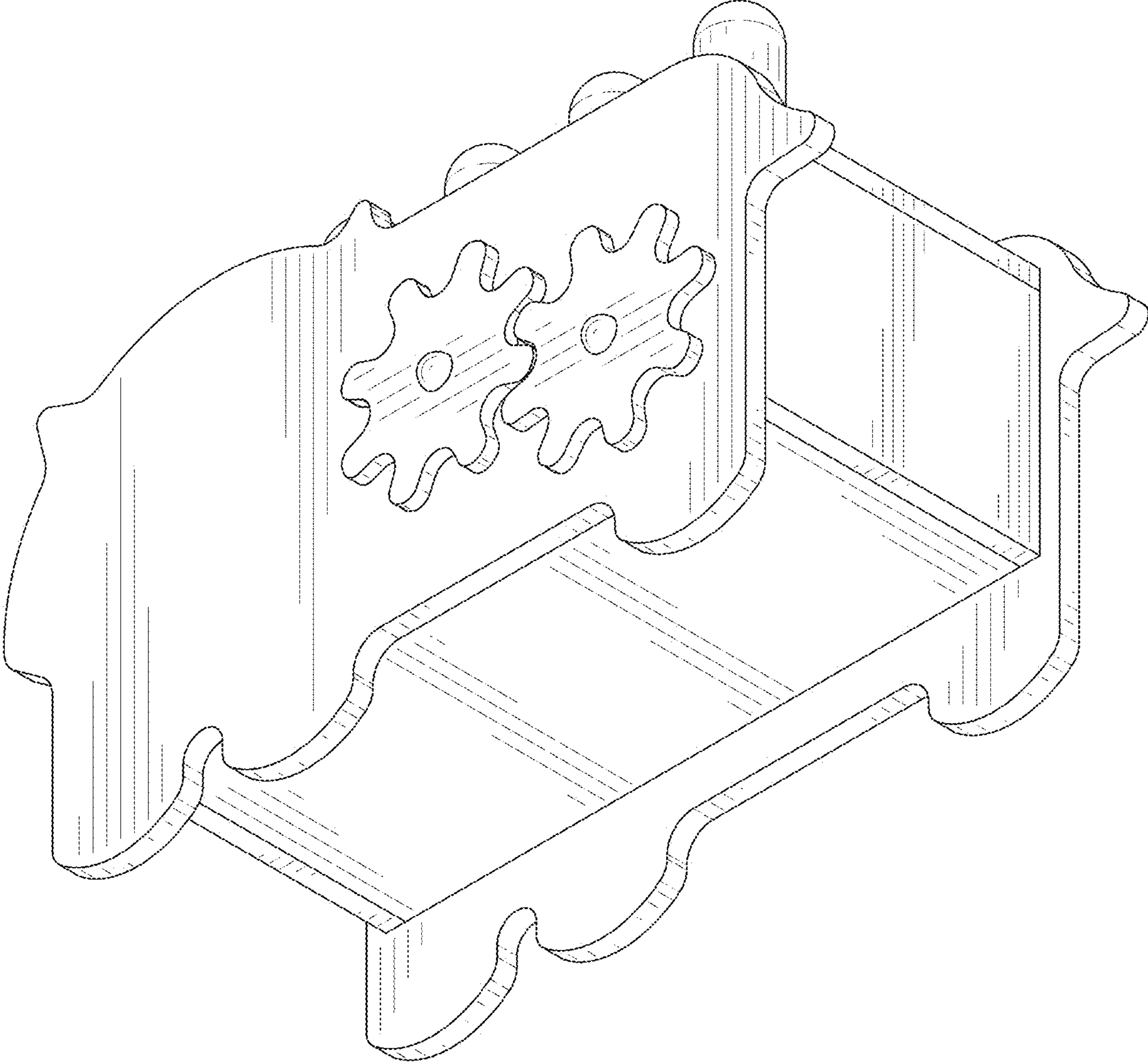


FIG. 2

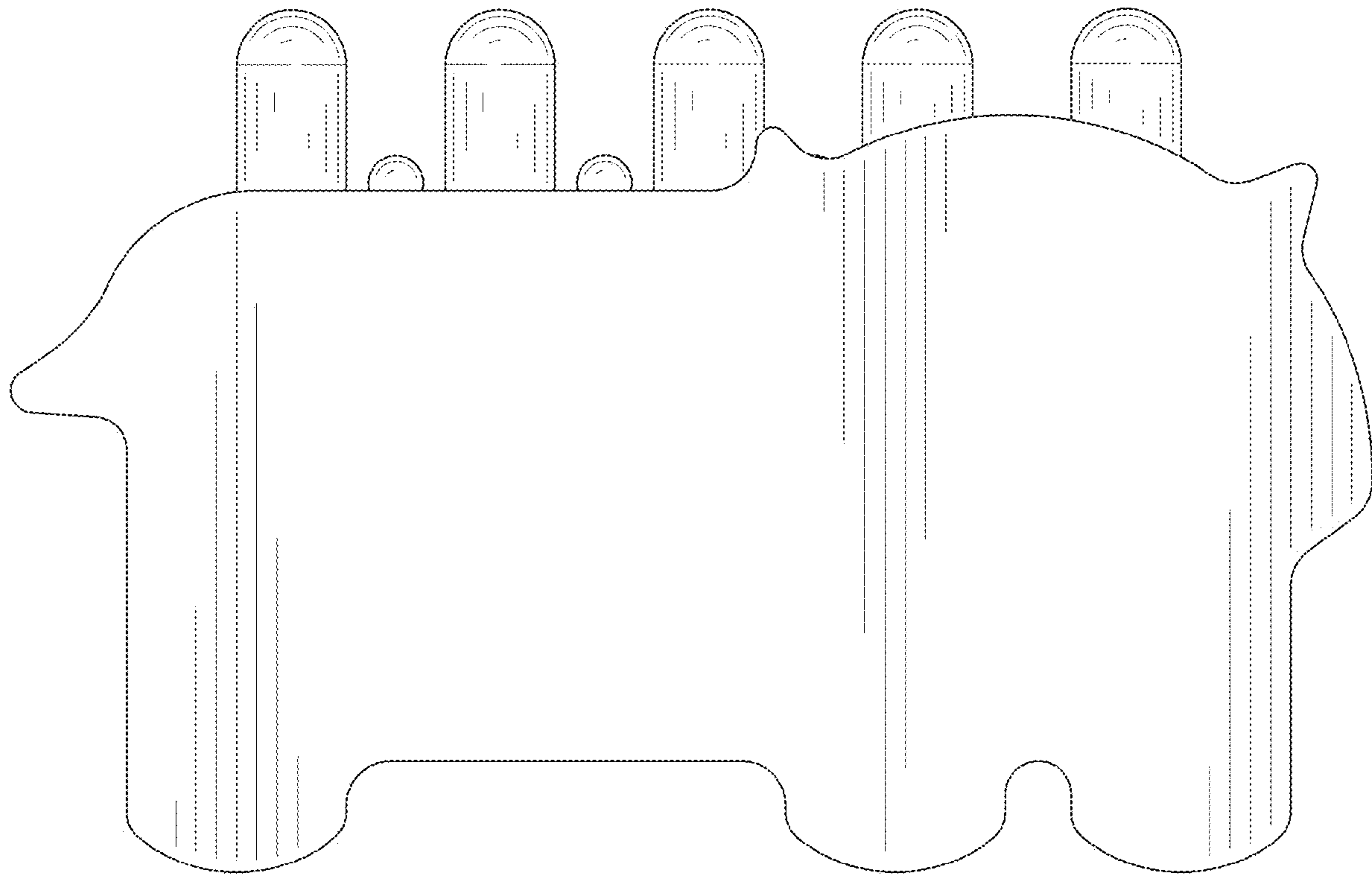


FIG. 3

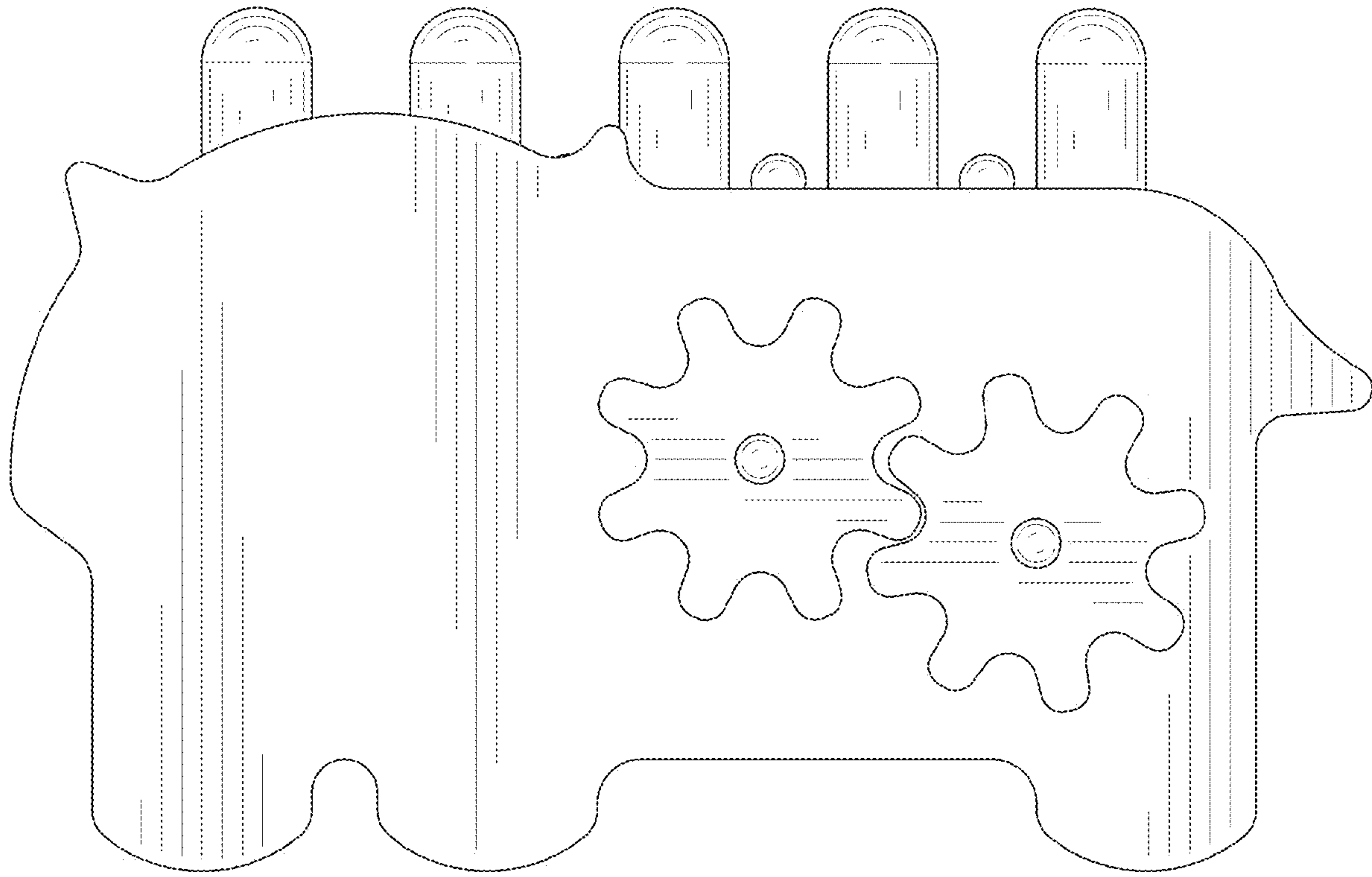


FIG. 4

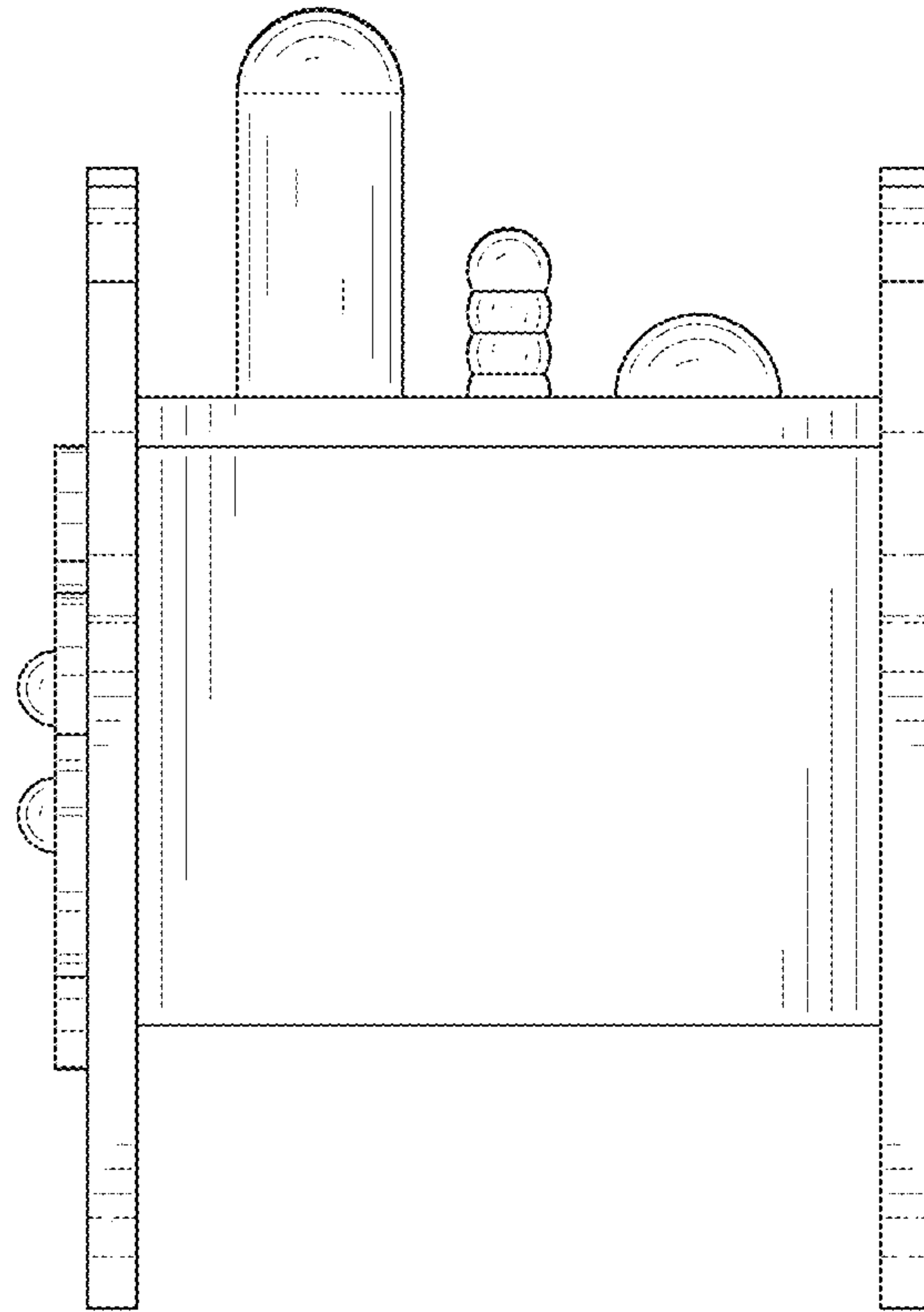


FIG. 5

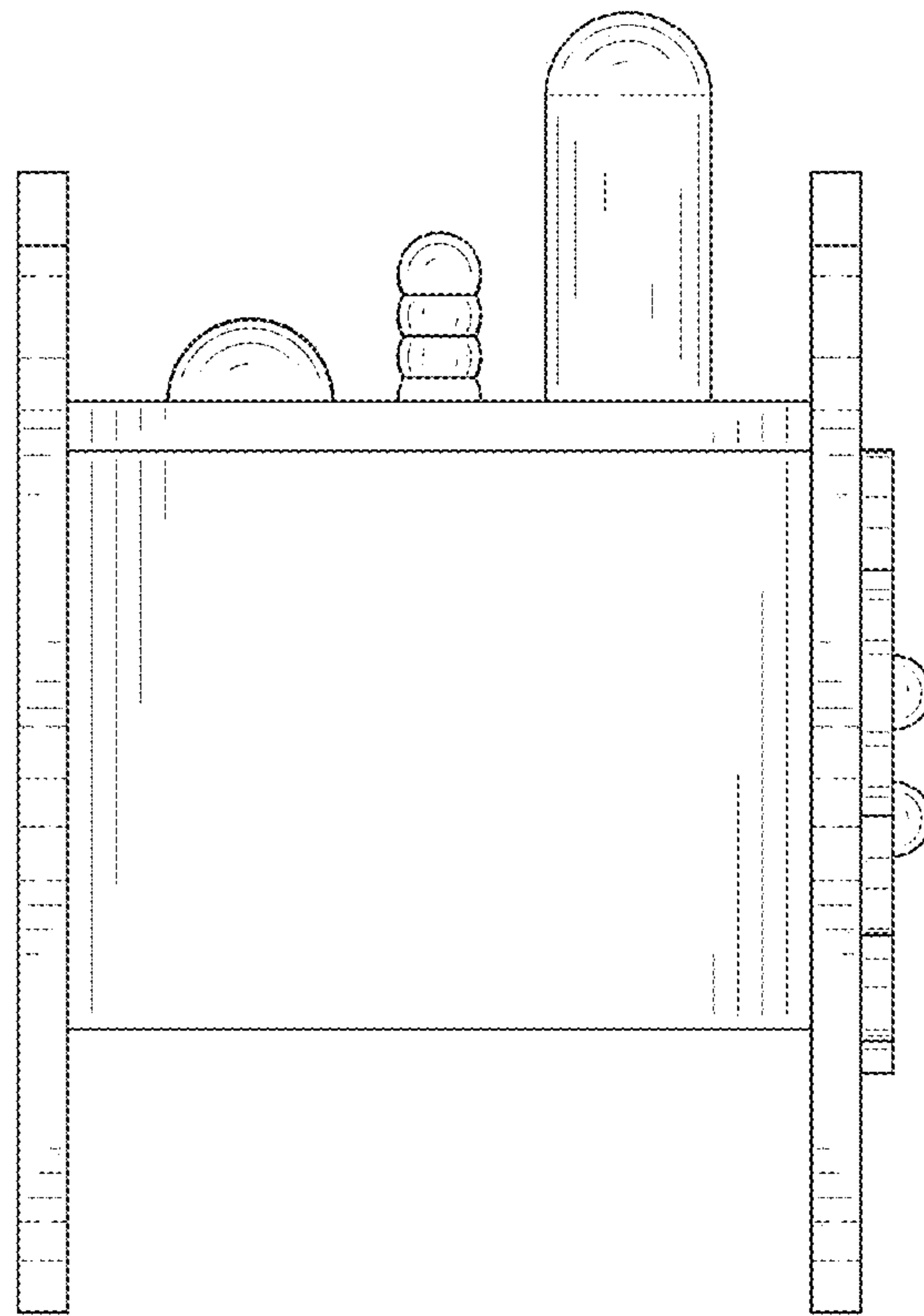


FIG. 6

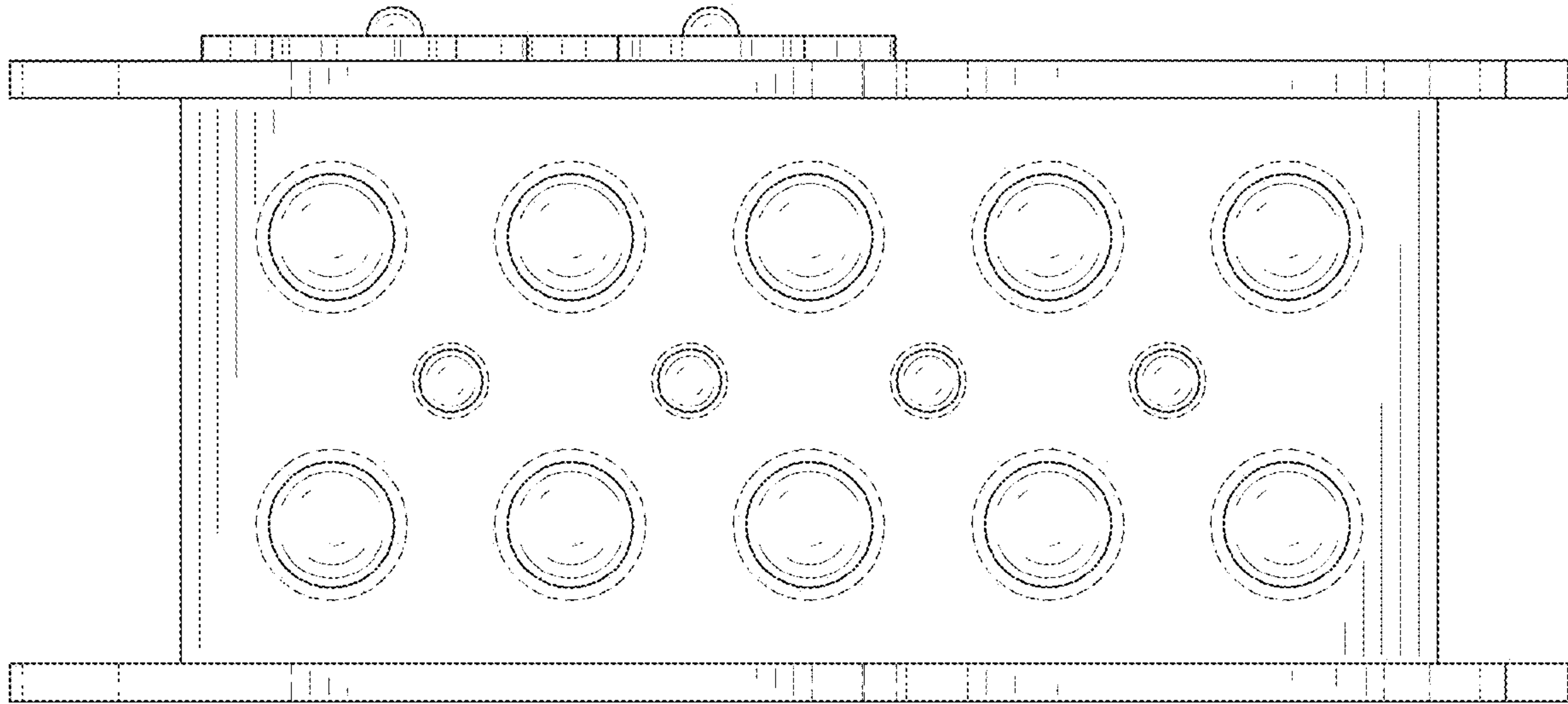


FIG. 7

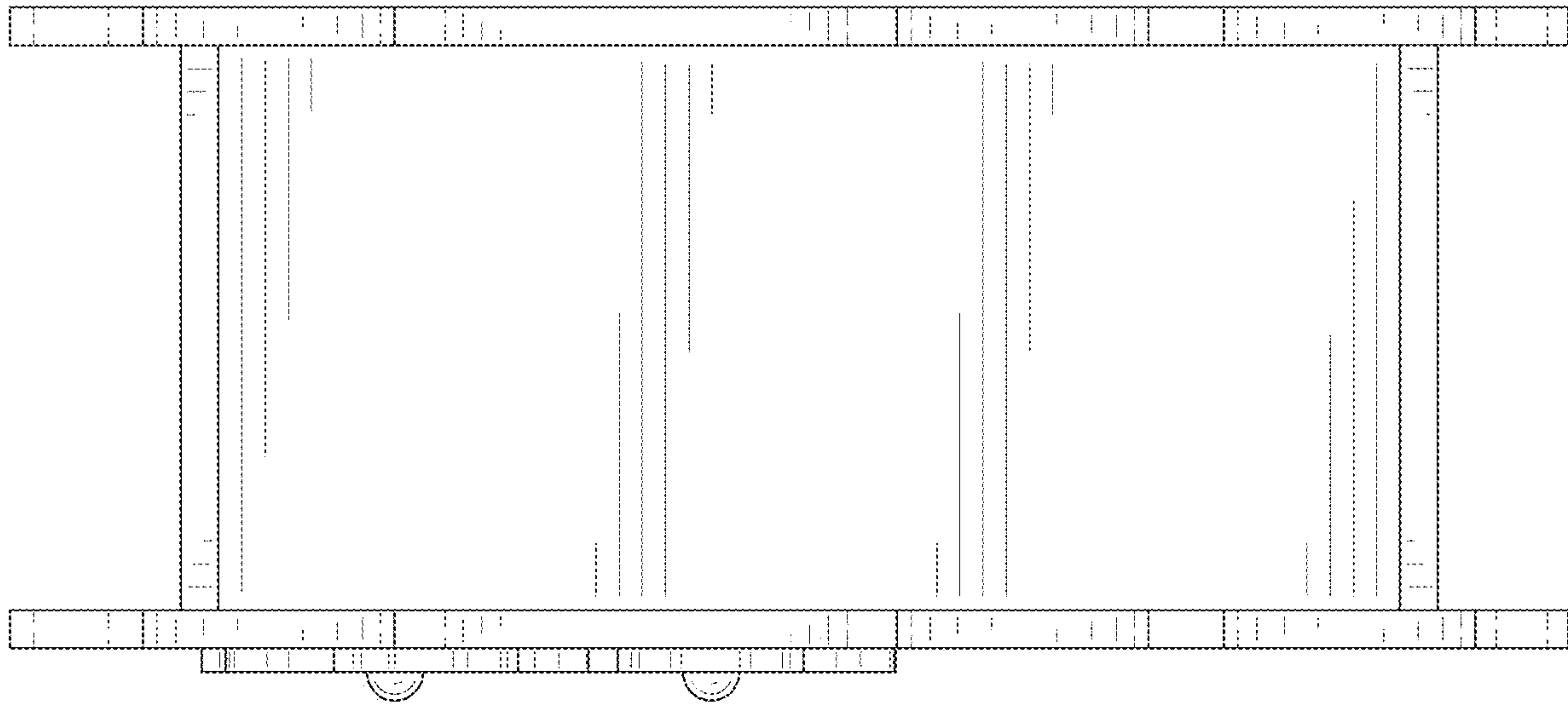


FIG. 8

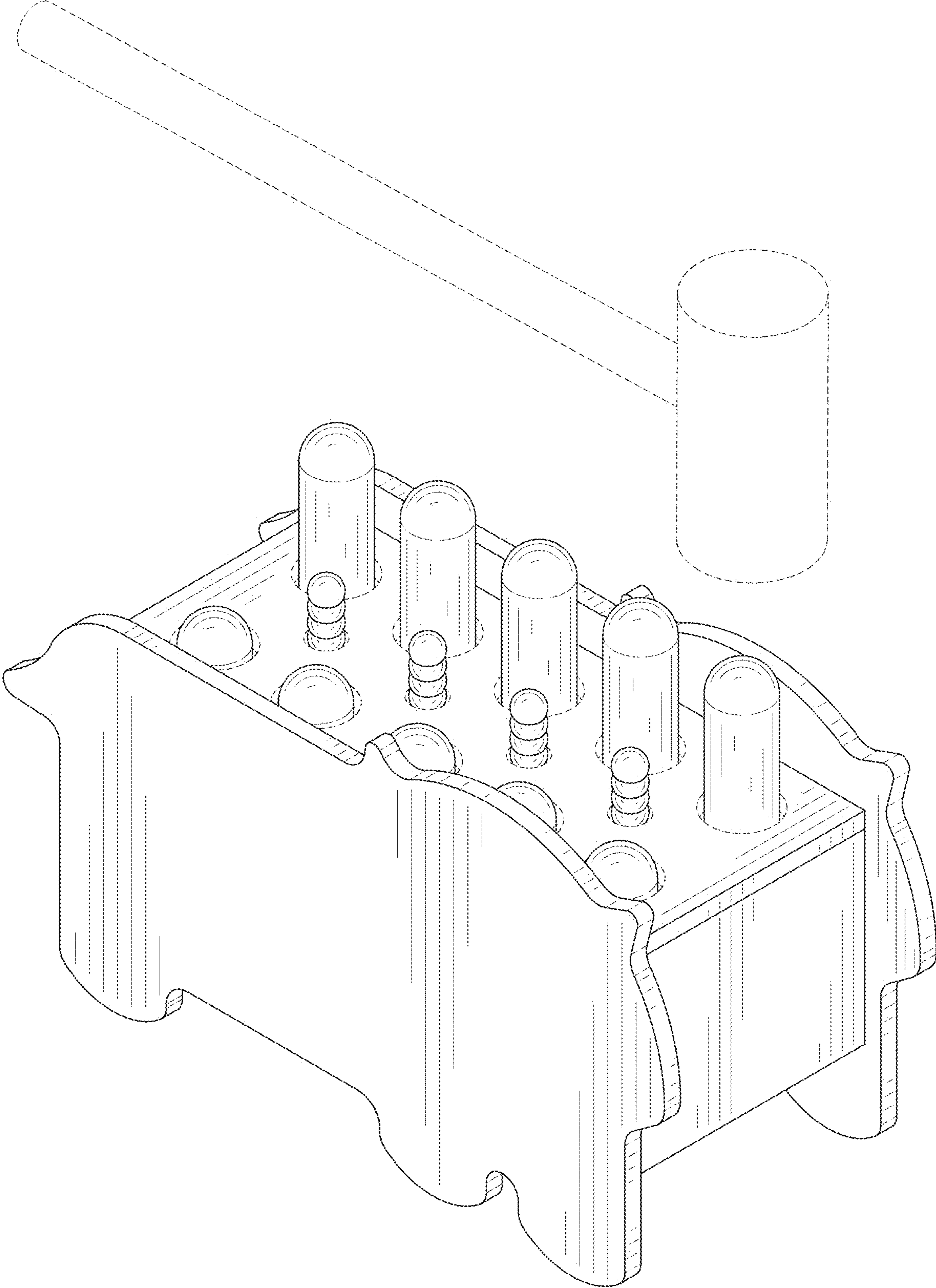


FIG. 9