



US00D972034S

(12) **United States Design Patent** (10) **Patent No.:** **US D972,034 S**
Ricci (45) **Date of Patent:** **** Dec. 6, 2022**

(54) **SIGN FOR SHELF**

(71) Applicant: **Dana Industries Inc.**, Etobicoke (CA)

(72) Inventor: **John Ricci**, Kleinburg (CA)

(73) Assignee: **Dana Industries Inc.**, Etobicoke (CA)

(**) Term: **15 Years**

(21) Appl. No.: **29/652,984**

(22) Filed: **Feb. 1, 2021**

Related U.S. Application Data

(62) Division of application No. 29/712,548, filed on Nov. 8, 2019, now Pat. No. Des. 909,478.

(30) **Foreign Application Priority Data**

May 9, 2019 (CA) CA 187417

(51) **LOC (13) Cl.** **20-03**

(52) **U.S. Cl.**
USPC **D20/43**

(58) **Field of Classification Search**

USPC D10/109.1, 109.2, 113.4; D11/165, 166, D11/181, 182; D20/10, 19, 21, 29, 37, D20/39, 40, 41, 42, 43, 99
CPC G09F 7/00; G09F 7/12; G09F 7/14; G09F 7/16; G09F 7/18; G09F 2007/122; G09F 2007/1804; G09F 2007/1834; G09F 2007/1886; G09F 9/00; G09F 13/00; G09F 13/02; G09F 13/04; G09F 13/0018; G09F 13/22; G09F 2003/1895; G09F 15/00; G09F 15/0037; G09F 15/02; G09F 15/025; G09F 17/00; G09F 2007/0075; G09F 23/00

See application file for complete search history.

(56) **References Cited**

U.S. PATENT DOCUMENTS

D580,992 S *	11/2008	Garfinkle	D20/43
D625,935 S *	10/2010	Theisen	D20/43
D631,917 S *	2/2011	Ricci	D20/10
D694,826 S *	12/2013	Ricci	D20/42
D694,828 S *	12/2013	Ricci	D20/42
9,153,148 B2 *	10/2015	Ricci	G09F 3/204
D777,259 S *	1/2017	Ricci	D20/43
D846,648 S *	4/2019	Ricci	D20/43
D871,782 S *	1/2020	Simone	D6/332
D909,478 S *	2/2021	Ricci	D20/43
D916,978 S *	4/2021	Ricci	D20/43
D921,760 S *	6/2021	Ricci	D20/43

* cited by examiner

Primary Examiner — Catherine Ho

(74) *Attorney, Agent, or Firm* — Santosh K. Chari; CPST Intellectual Property Inc.

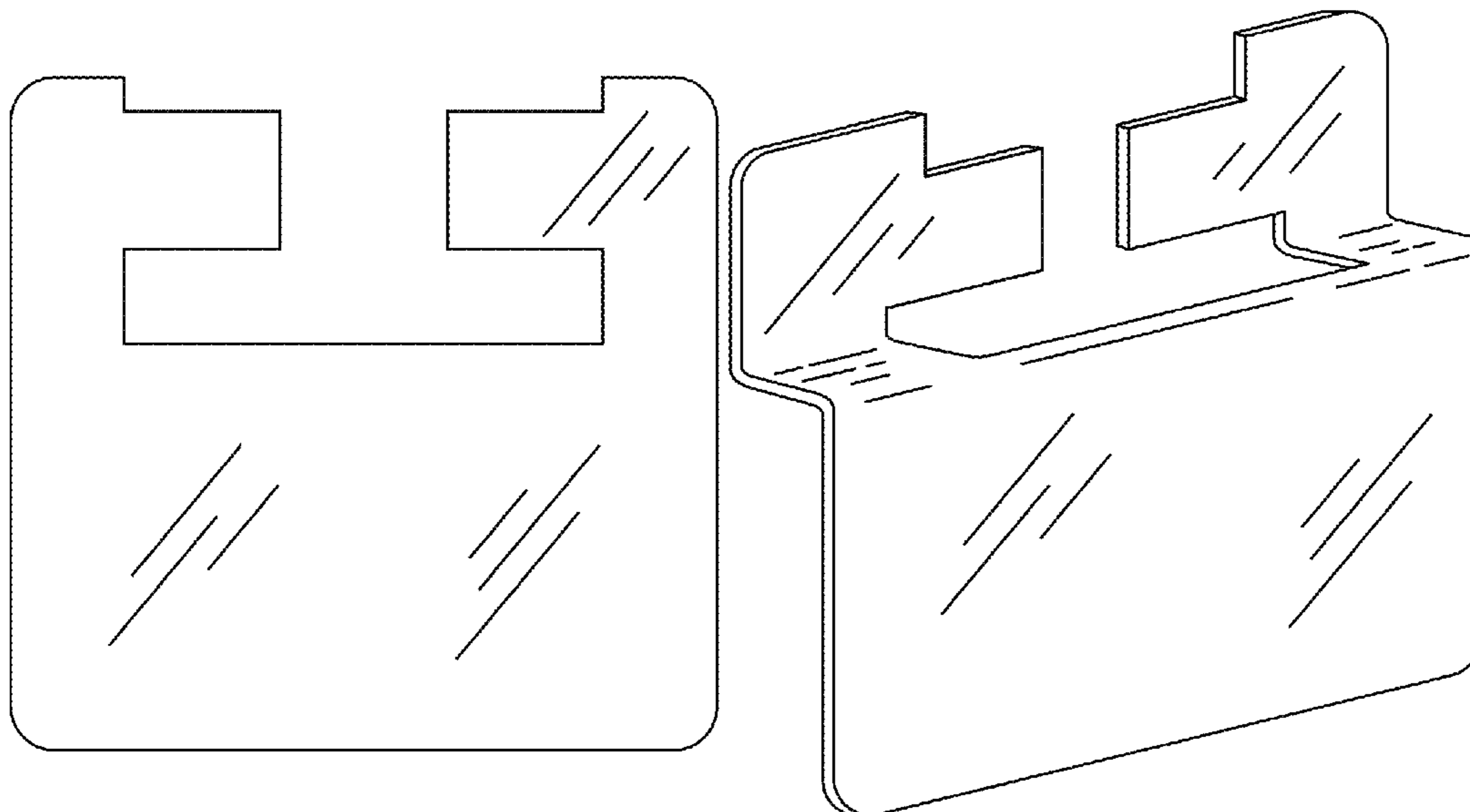
(57) **CLAIM**

I claim the ornamental design for a sign for shelf, as shown and described.

DESCRIPTION

FIG. 1 is a front view of a sign for shelf in an unfolded state. FIG. 2 is a rear view of a sign for shelf of FIG. 1. FIG. 3 a right side view of a sign for shelf of FIG. 1 in a folded state. FIG. 4 a left side view of a sign for shelf of FIG. 1 in a folded state. FIG. 5 a front perspective view of a sign for shelf of FIG. 1 in a folded state. FIG. 6 is a front view of a sign for shelf of FIG. 1 in an unfolded state showing environment; and, FIG. 7 is a front perspective view of a sign for shelf of FIG. 1 in a folded state showing environment. The broken lines in FIGS. 6 and 7 show environment and form no part of the claimed design.

1 Claim, 4 Drawing Sheets



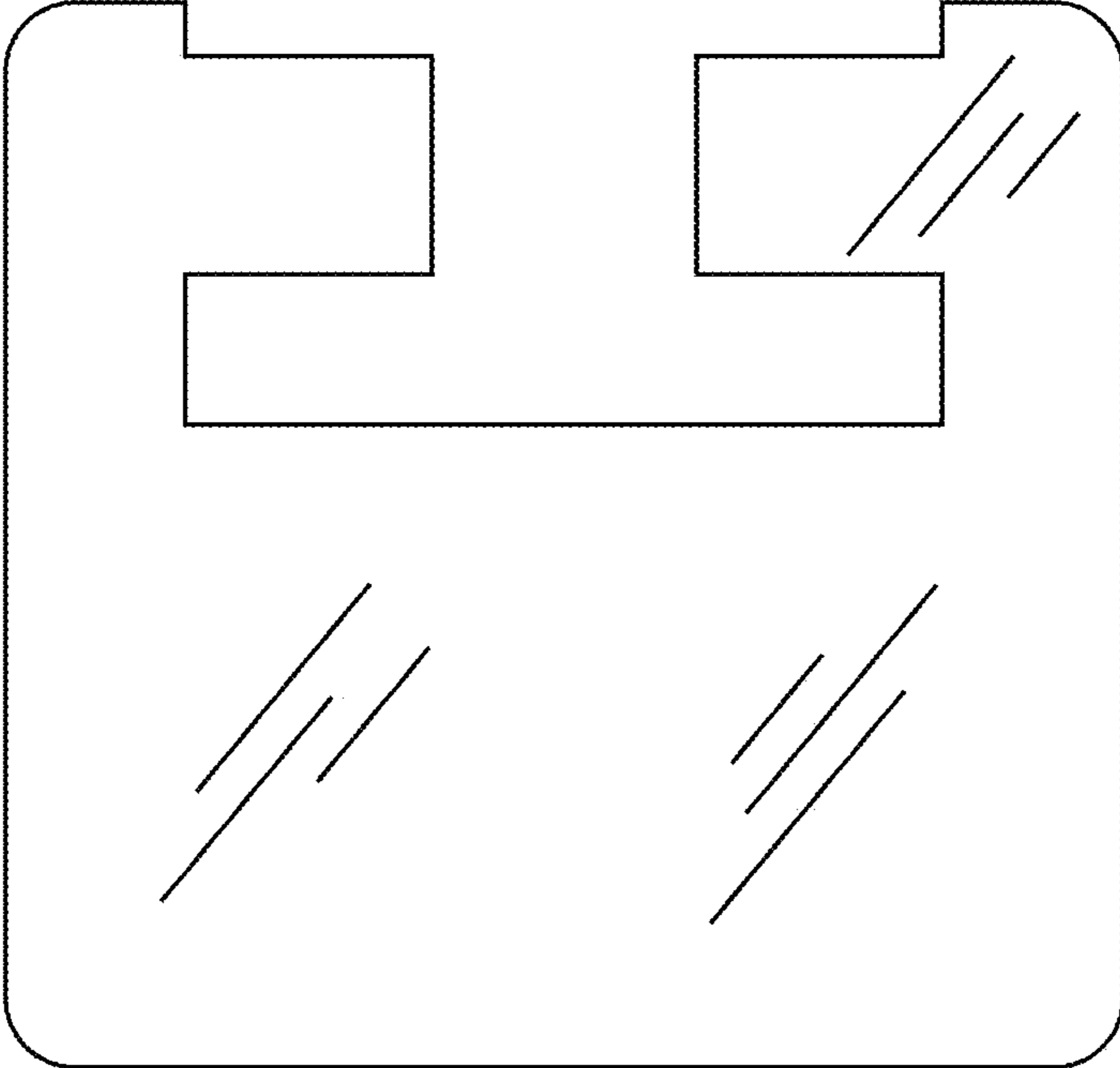


FIG. 1

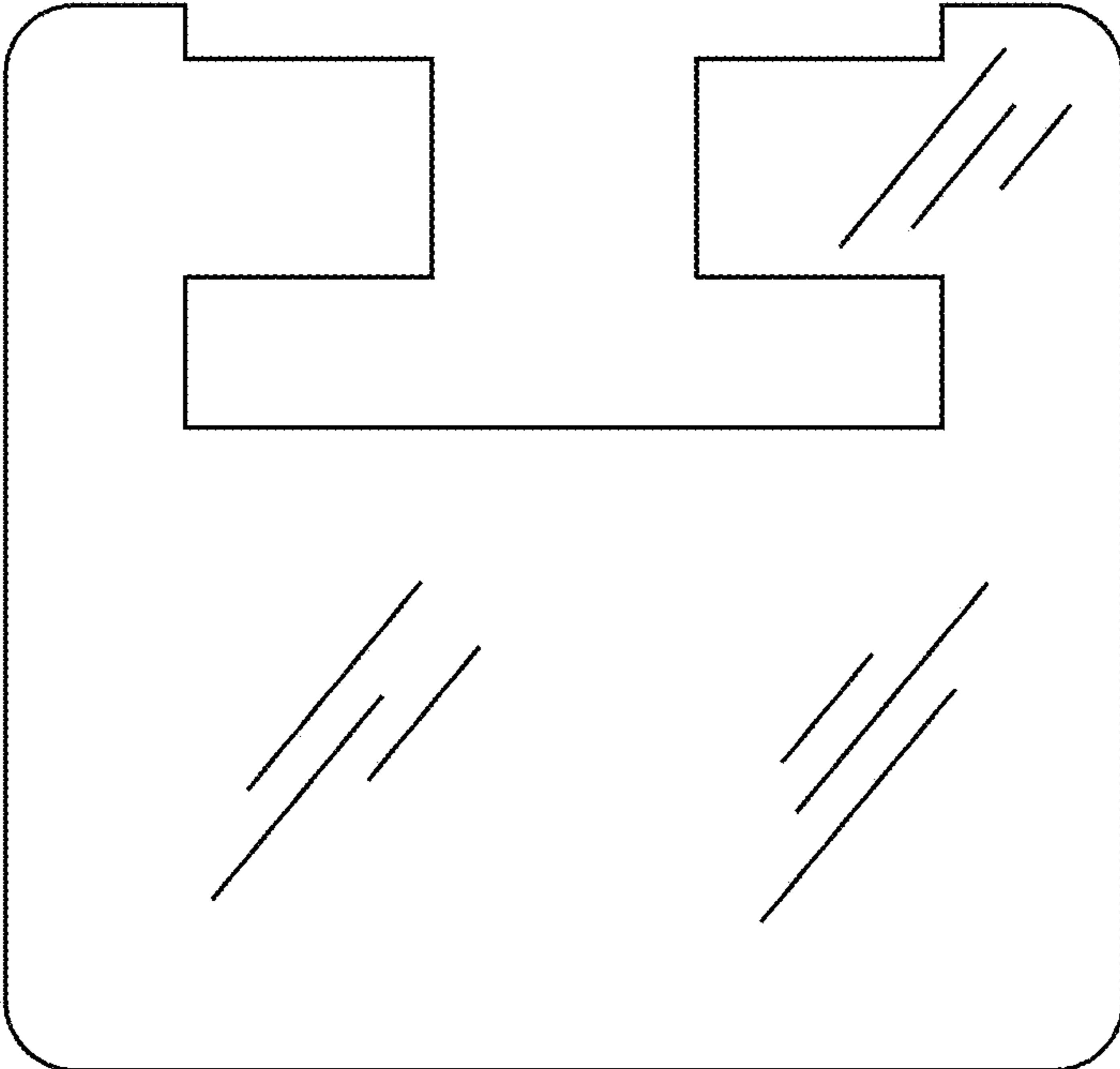


FIG. 2

FIG. 3



FIG. 4



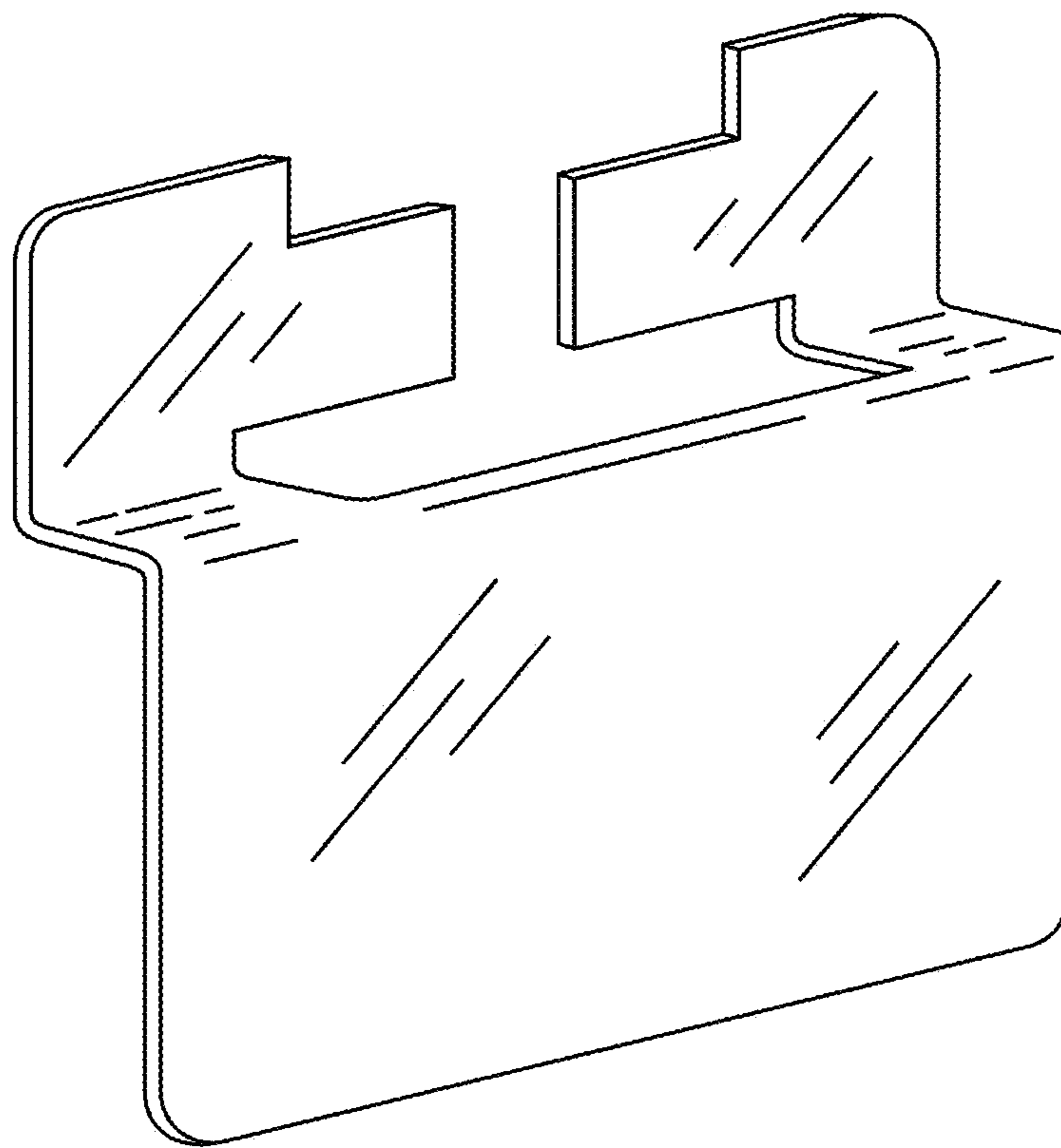


FIG. 5

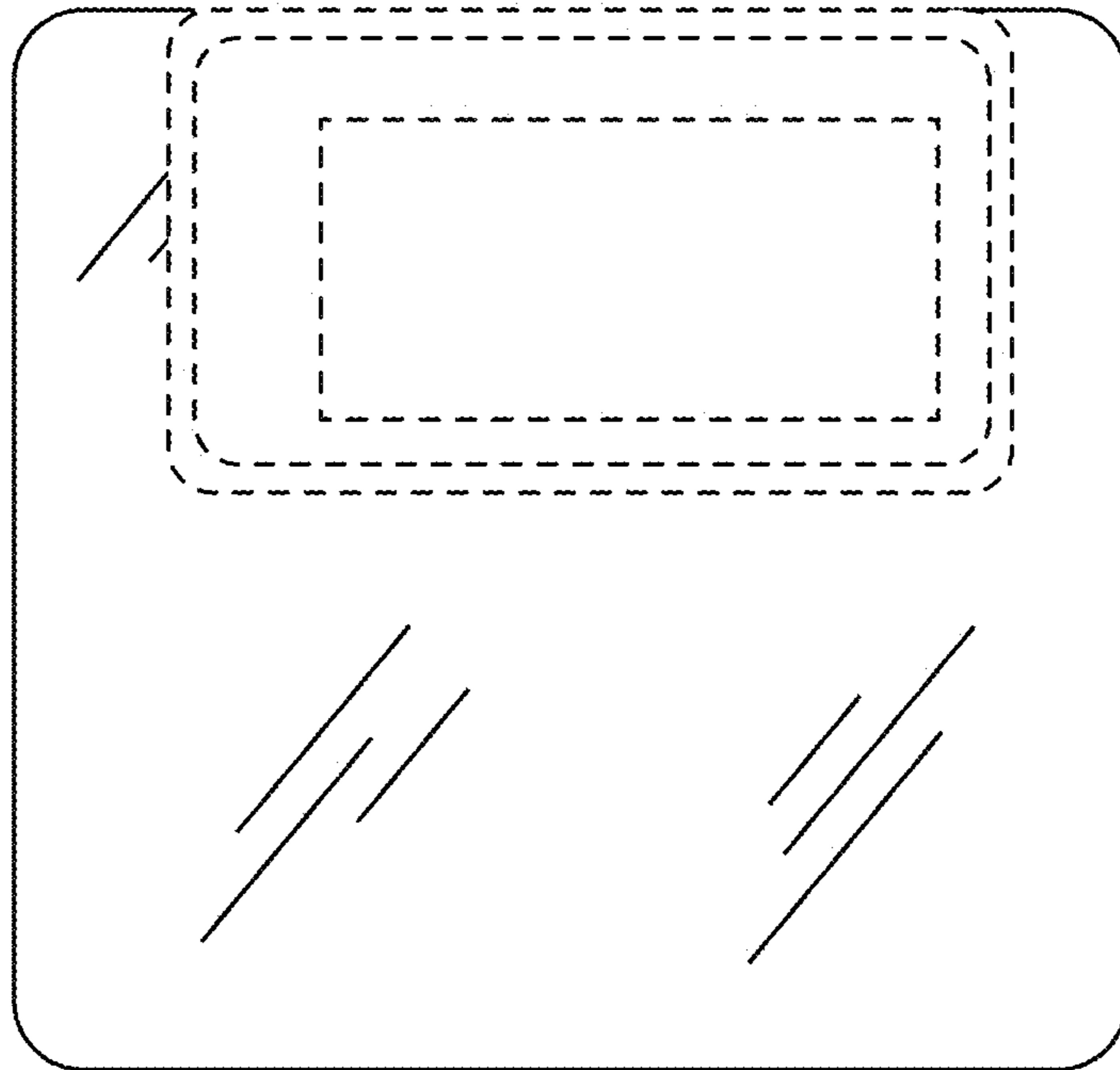


FIG. 6

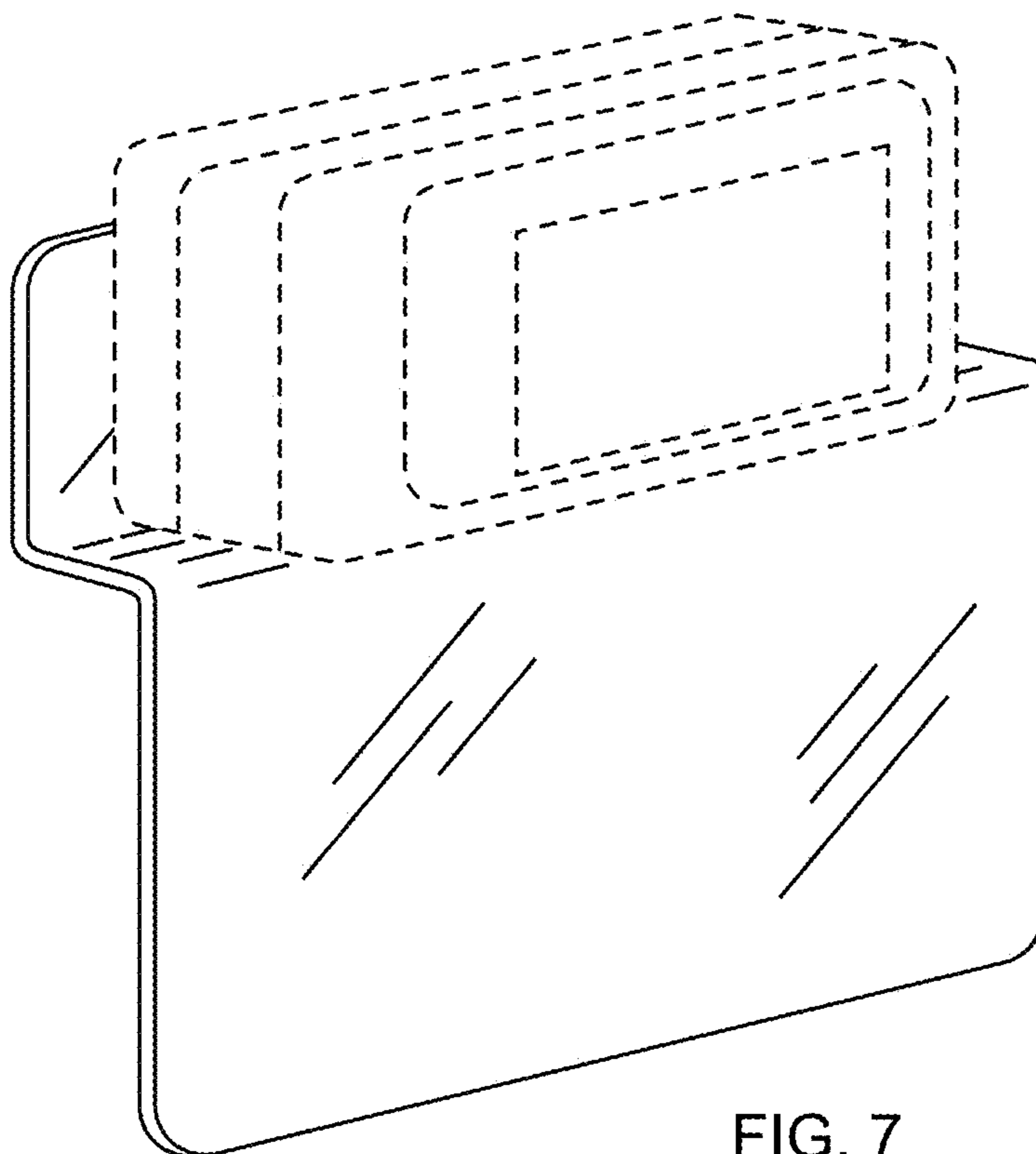


FIG. 7