



US00D972000S

(12) **United States Design Patent**  
**Gong**

(10) **Patent No.:** **US D972,000 S**

(45) **Date of Patent:** **\*\* Dec. 6, 2022**

(54) **GLASSES**

(71) Applicant: **Qiyun Gong**, Ningde (CN)

(72) Inventor: **Qiyun Gong**, Ningde (CN)

(\*\*) Term: **15 Years**

(21) Appl. No.: **29/826,914**

(22) Filed: **Feb. 16, 2022**

(30) **Foreign Application Priority Data**

Nov. 11, 2021 (CN) ..... 202130741534.0

(51) **LOC (13) Cl.** ..... **16-06**

(52) **U.S. Cl.**  
USPC ..... **D16/325**

(58) **Field of Classification Search**  
USPC ..... D16/300, 303, 311–315, 320, 325–327,  
D16/329

CPC ..... G02C 5/008; G02C 5/08; G02C 7/10  
See application file for complete search history.

(56) **References Cited**

**U.S. PATENT DOCUMENTS**

D561,813 S *	2/2008	Baden	.....	D16/325
D650,825 S *	12/2011	Yee	.....	D16/325
D652,442 S *	1/2012	Yee	.....	D16/326
D797,180 S *	9/2017	Uhm	.....	D16/300
D856,402 S *	8/2019	Miera	.....	D16/300
D871,494 S	12/2019	Yamada et al.		
D934,330 S	10/2021	Zhang		
D935,517 S *	11/2021	Sun	.....	D16/326

**OTHER PUBLICATIONS**

DUBERY Mens Sports Polarized Sunglasses, posted atamazon.com, posting date Jun. 25, 2020, [online], [site visited Oct. 7, 2022]. Available from Internet, URL: <https://www.amazon.sa/-/en/DUBERY-Polarized-Sunglasses-Protection-Driving/dp/B07RV132XZ?th=1> (Year: 2020).\*

DUBERY Sport Polarized Sunglasses, posted atamazon.com, posting date Jul. 9, 2019, [online], [site visited Oct. 7, 2022]. Available from Internet, URL: <https://www.amazon.com/DUBERY-Polarized-Sunglasses-Protection-Driving/dp/B07V34NRKH> (Year: 2019).\*

\* cited by examiner

*Primary Examiner* — Maria J. Edwards

(74) *Attorney, Agent, or Firm* — Georgi Korobanov

(57) **CLAIM**

The ornamental design for glasses, as shown and described.

**DESCRIPTION**

FIG. 1 is a perspective view of glasses, showing my new design;

FIG. 2 is another perspective view thereof;

FIG. 3 is a front view thereof;

FIG. 4 is a rear view thereof;

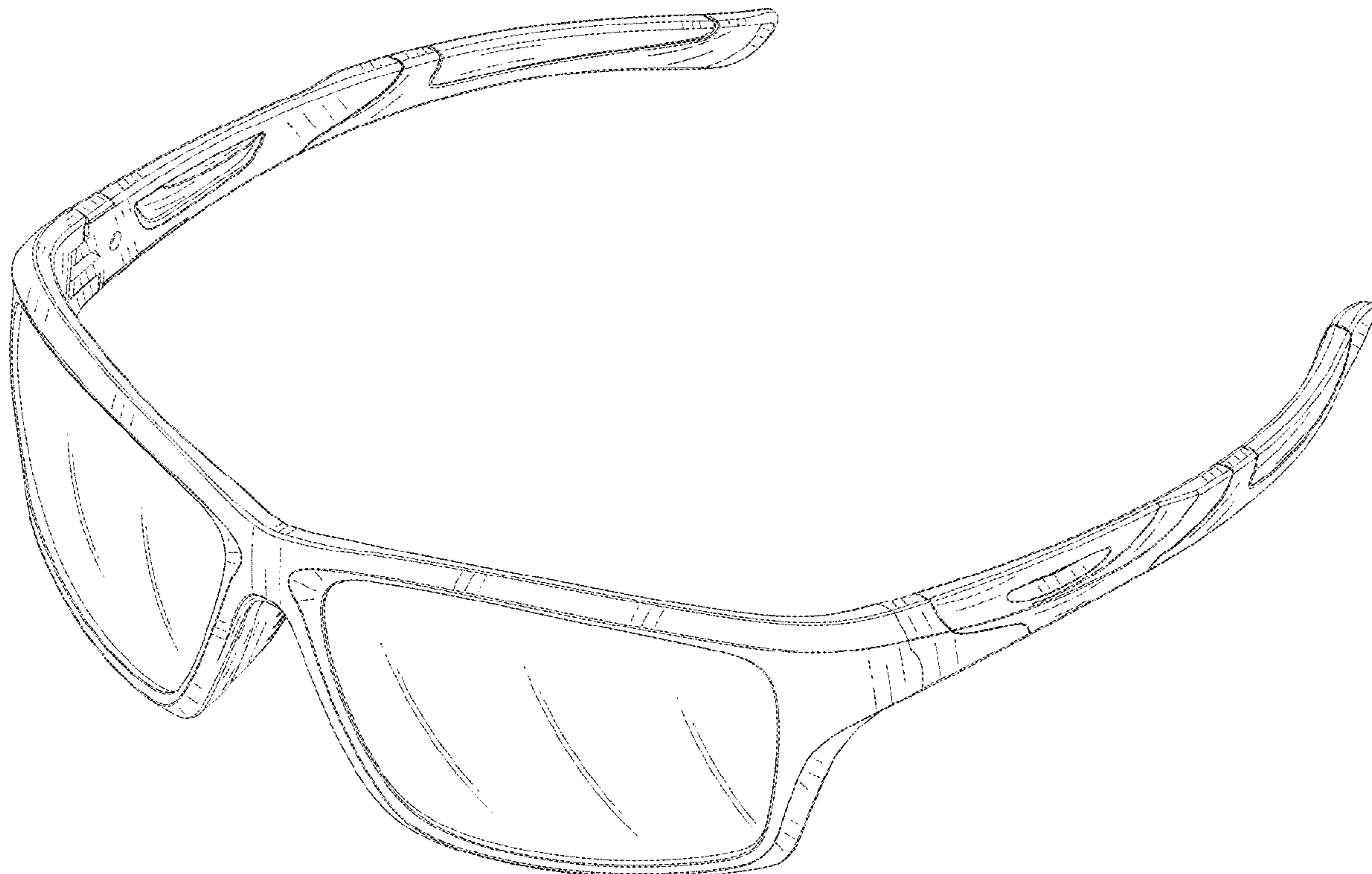
FIG. 5 is a left side view thereof;

FIG. 6 is a right side view thereof;

FIG. 7 is a top plan view thereof; and,

FIG. 8 is a bottom plan view thereof.

**1 Claim, 8 Drawing Sheets**



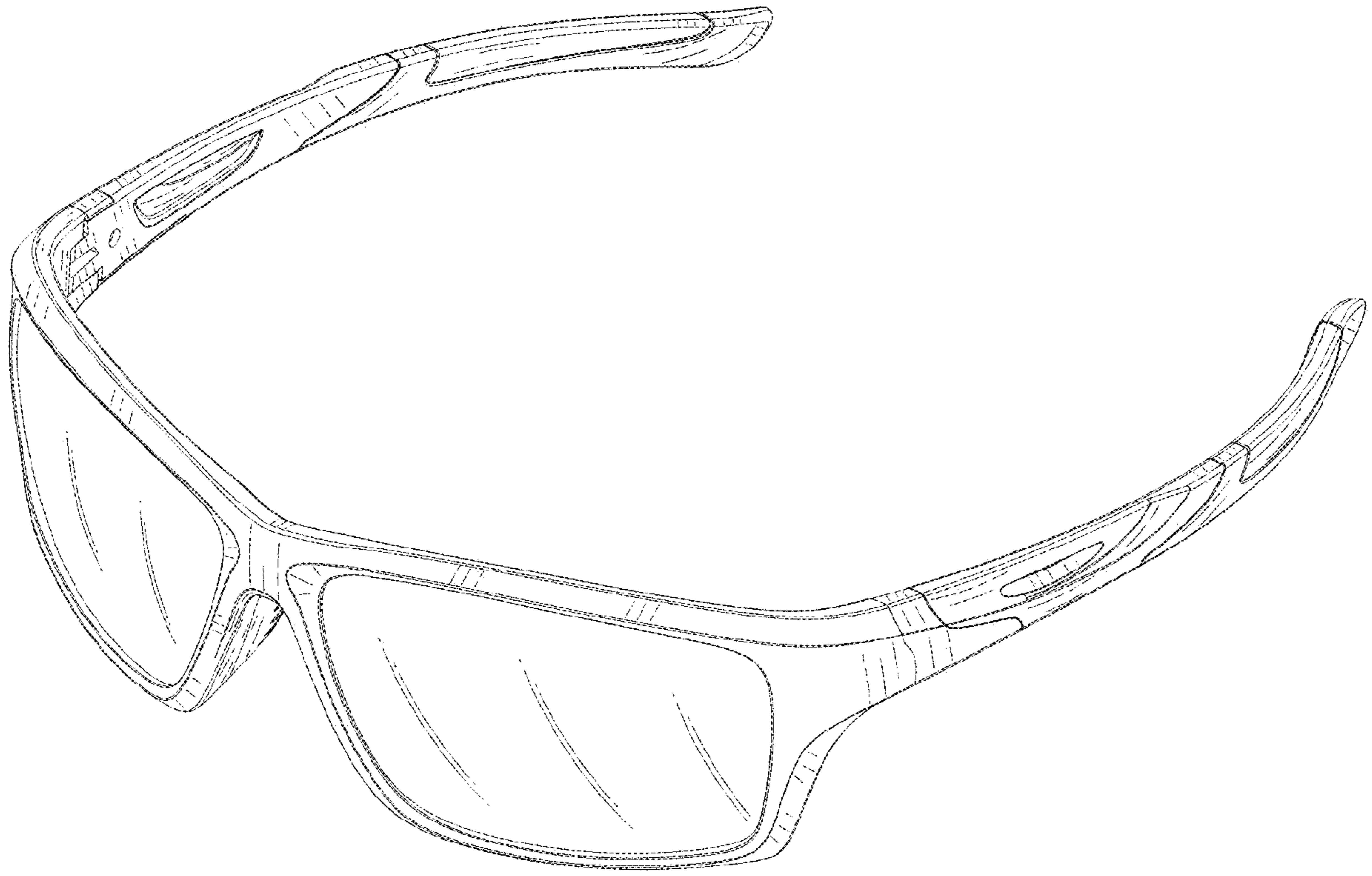


FIG. 1

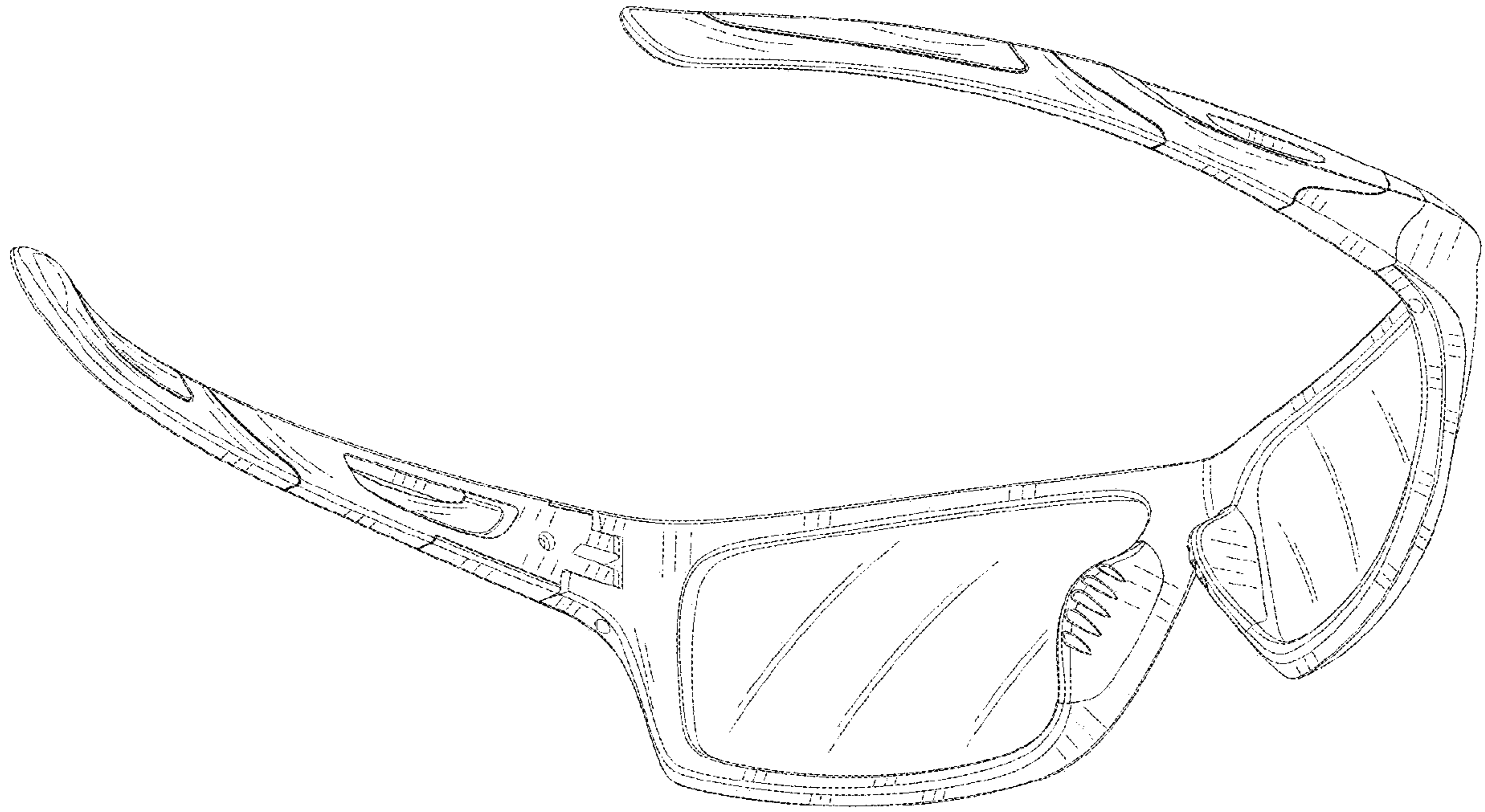


FIG. 2

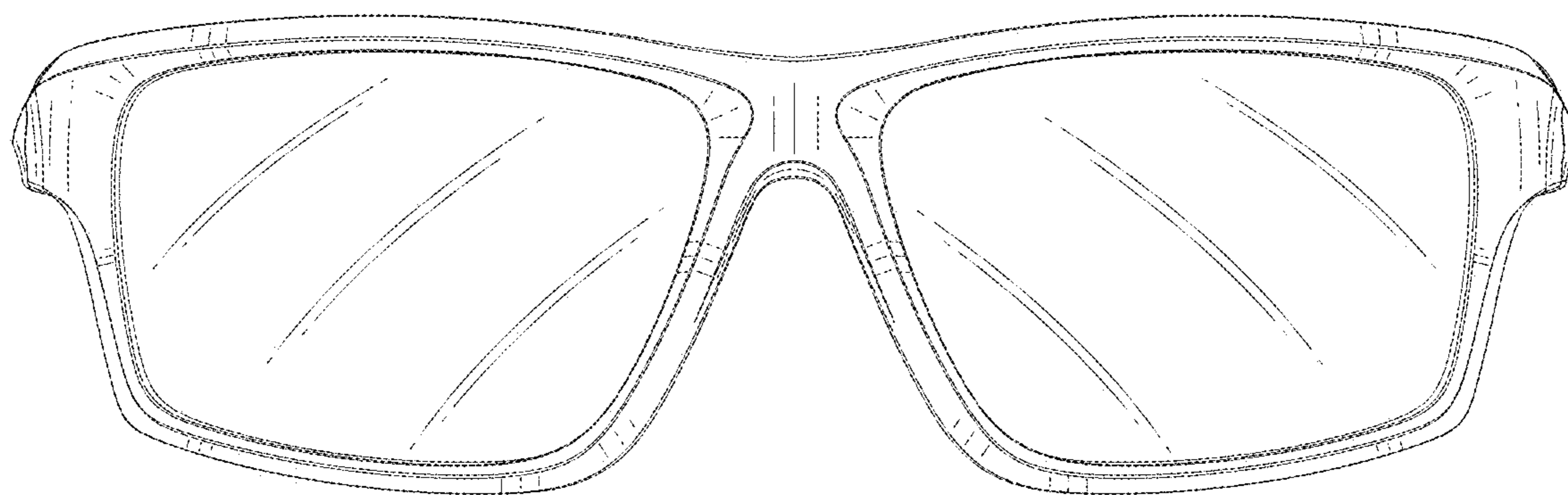


FIG. 3

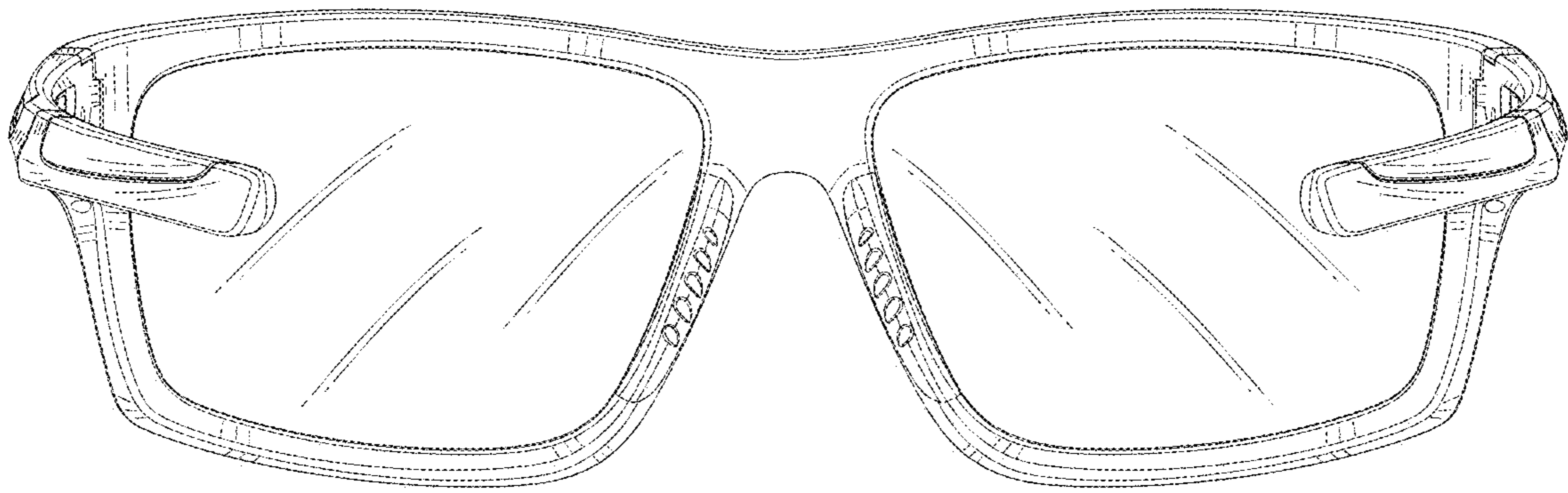


FIG. 4

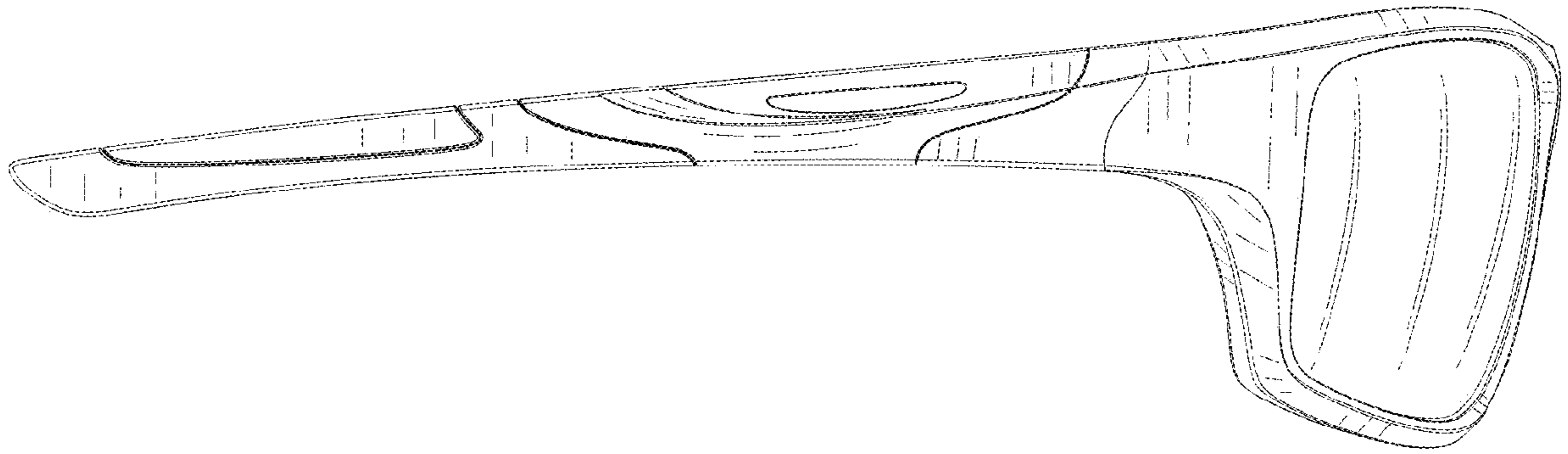


FIG. 5

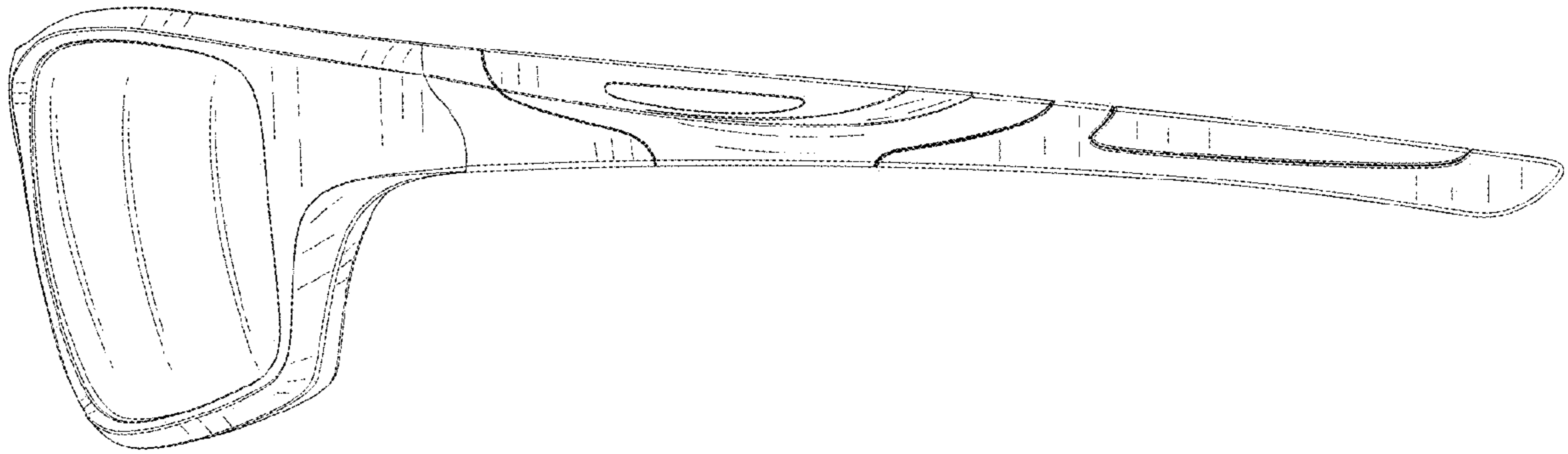


FIG. 6

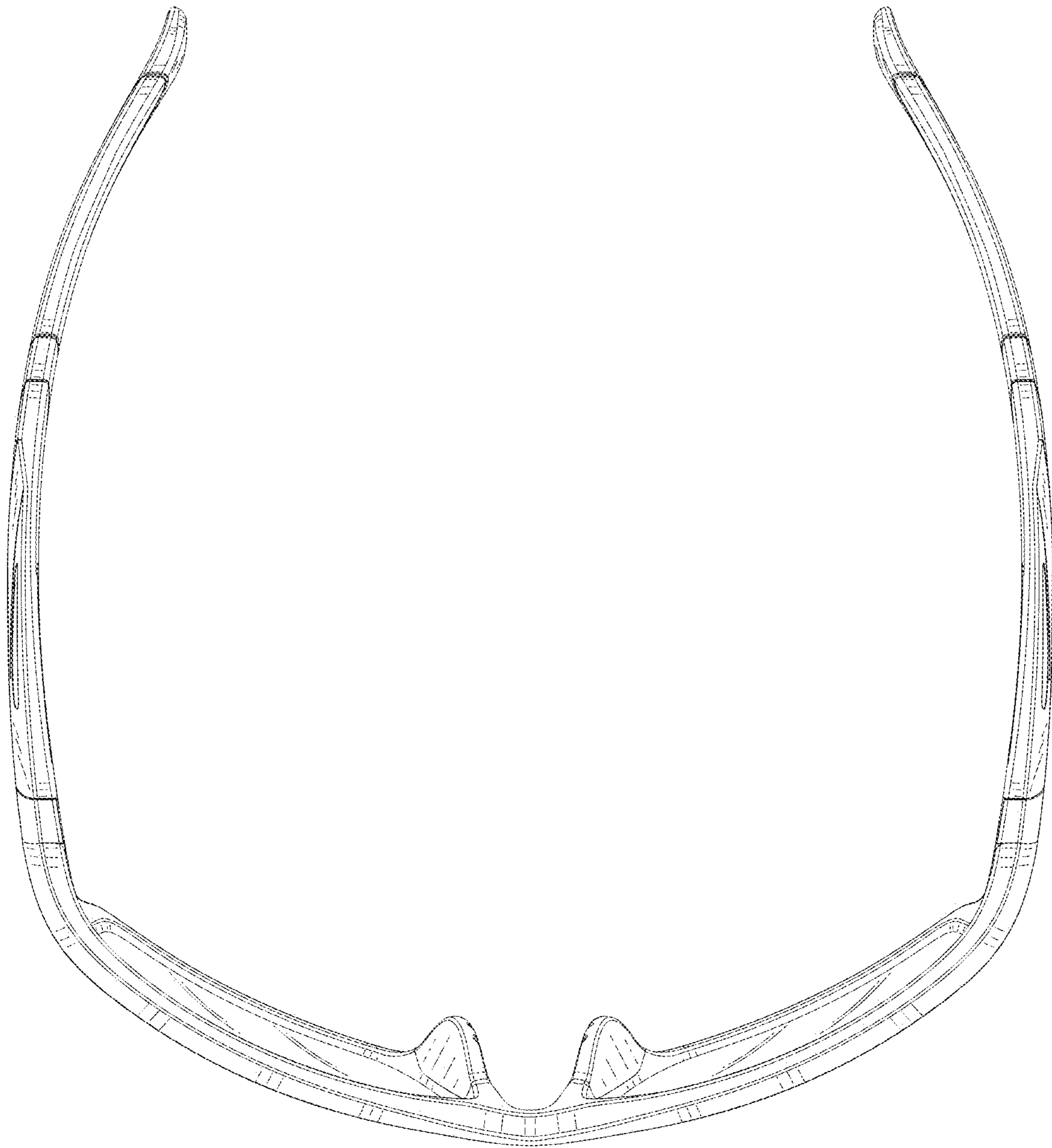


FIG. 7



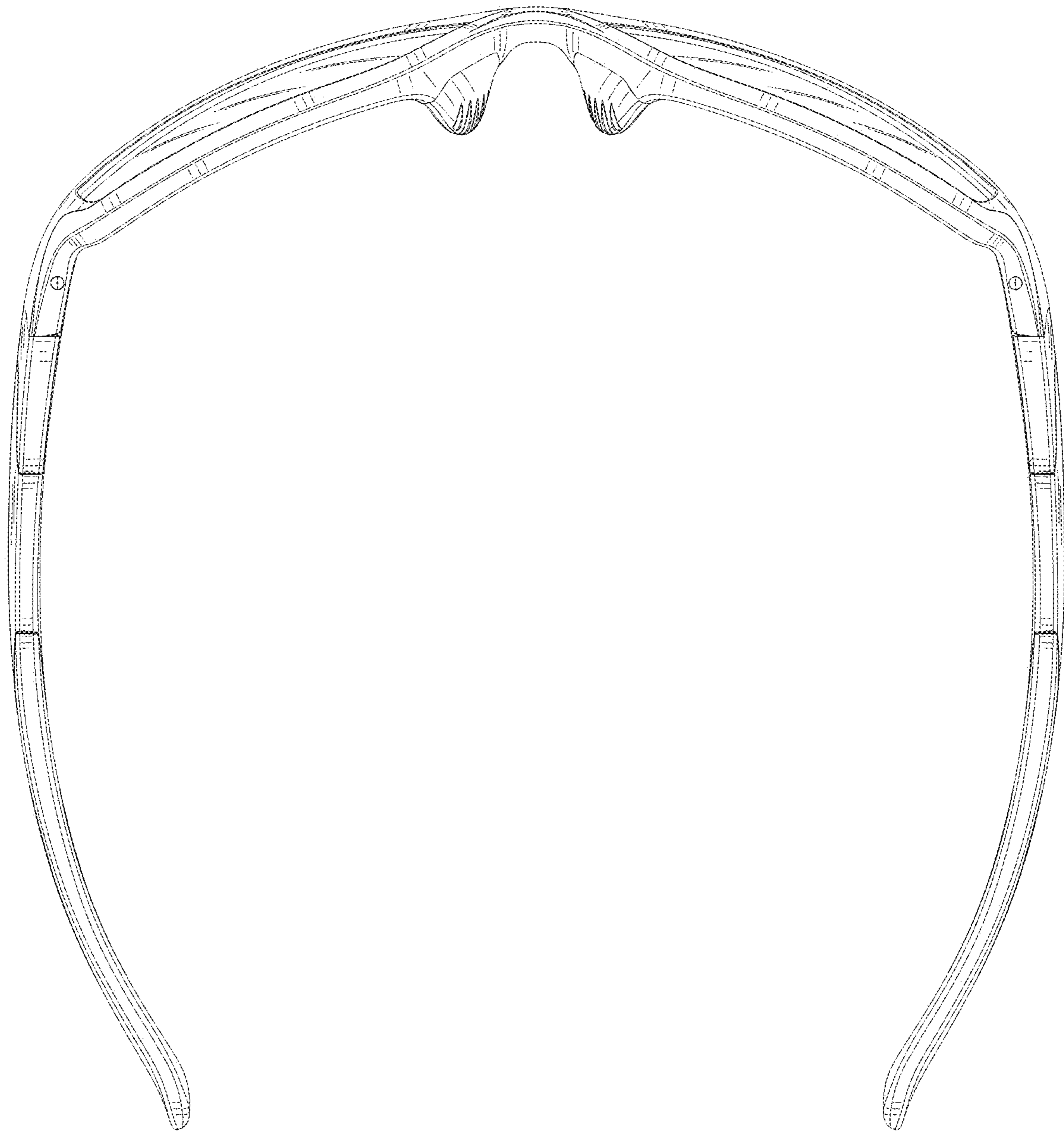


FIG. 8