



US00D971999S

(12) **United States Design Patent** (10) **Patent No.:** **US D971,999 S**
Chen (45) **Date of Patent:** **** Dec. 6, 2022**

(54) **GLASSES**

(71) Applicant: **Wuhan Ruihan Enterprise Management Co., LTD**, Wuhan (CN)

(72) Inventor: **Qiang Chen**, Shanghai (CN)

(**) Term: **15 Years**

(21) Appl. No.: **29/831,231**

(22) Filed: **Mar. 18, 2022**

(51) **LOC (13) Cl.** **16-06**

(52) **U.S. Cl.**
USPC **D16/314**

(58) **Field of Classification Search**
USPC D16/313-315
CPC G02C 5/003; G02C 5/005; G02C 1/04;
G02C 3/00
See application file for complete search history.

(56) **References Cited**

U.S. PATENT DOCUMENTS

D485,570 S *	1/2004	Teng	D16/314
7,594,723 B2 *	9/2009	Jannard	G02C 5/126
				351/86
D780,252 S *	2/2017	Lee	D16/314
D835,179 S *	12/2018	Li	D16/314
D873,901 S *	1/2020	Zhang	D16/314
D890,247 S *	7/2020	Yang	D16/314
D893,584 S	8/2020	Henry		
D893,586 S	8/2020	Renon		
D897,418 S *	9/2020	Yang	D16/314
D901,581 S *	11/2020	Zhang	D16/314
D903,750 S *	12/2020	Li	D16/314
D904,501 S	12/2020	Chen		
D909,458 S *	2/2021	Zhang	D16/314
D910,739 S *	2/2021	Gu	D16/314
D920,423 S *	5/2021	Zhang	D16/314
D922,473 S *	6/2021	Gong	D16/314
D930,736 S *	9/2021	Cota	D16/314

D954,796 S *	6/2022	Guo	D16/313
D954,797 S *	6/2022	Wu	D16/314
D954,799 S *	6/2022	Gong	D16/314
D954,800 S *	6/2022	Liao	D16/314
D954,801 S *	6/2022	Gong	D16/314
2021/0349332 A1 *	11/2021	Tsai	G02C 1/10

OTHER PUBLICATIONS

Crystal Blue Interchange—Tifosi Optics. [online] Retrieved Jul. 28, 2022 from URL: <https://www.tifosioptics.com/product/aethon-crystal-blue-clarion-blue-ac-red-clear/> (Year: 2022).*

Polarized Sports Sunglasses for Men Women. [online] Retrieved Jul. 28, 2022 from URL: <https://www.amazon.com/Polarized-Sunglasses-Cycling-Baseball-Motorcycle/dp/B07GGX9FDS/> (Year: 2022).*

* cited by examiner

Primary Examiner — Vy N Koenig

(74) *Attorney, Agent, or Firm* — Rumit Ranjit Kanakia

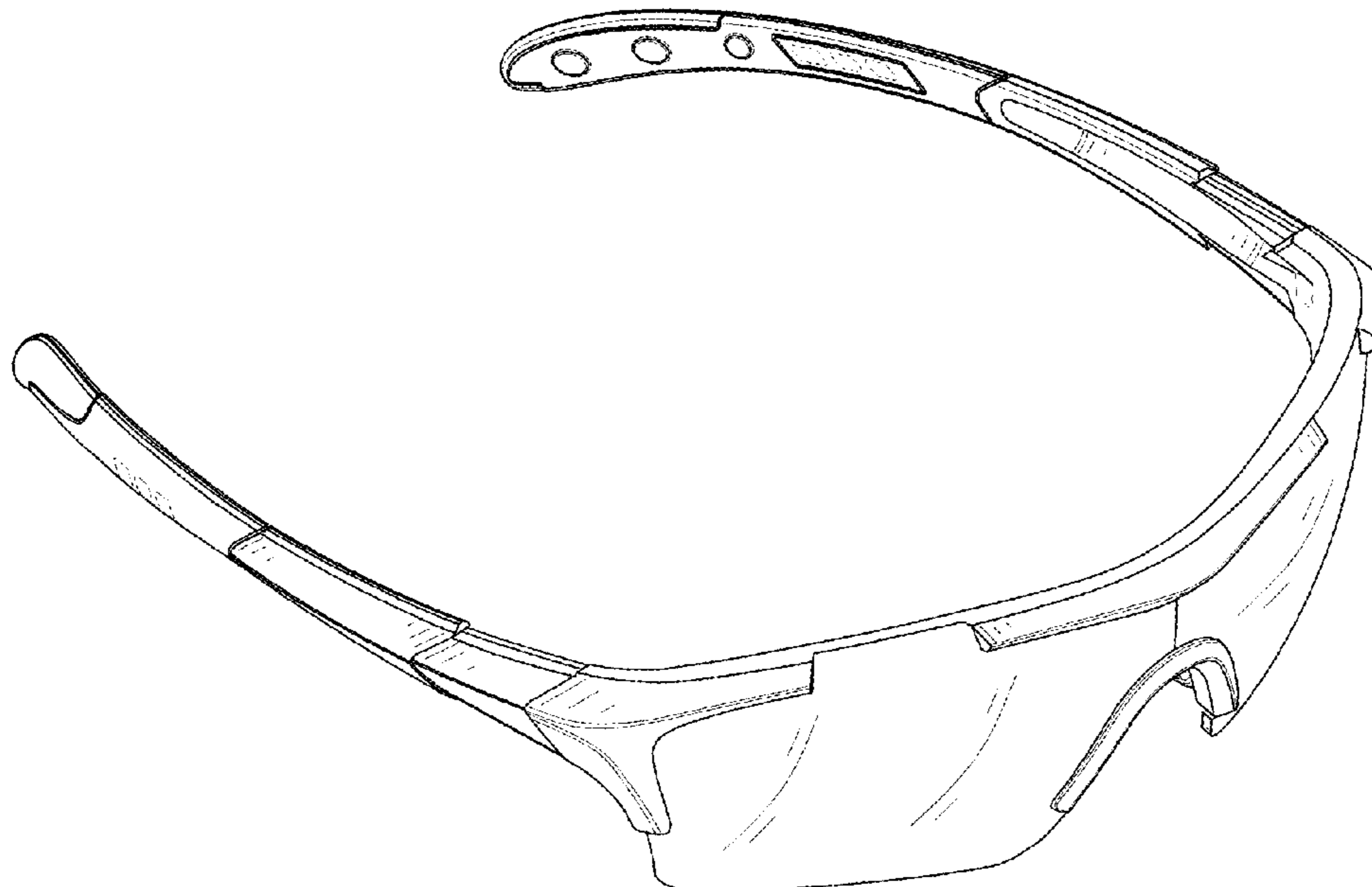
(57) **CLAIM**

The ornamental design for glasses, as shown and described.

DESCRIPTION

FIG. 1 is a first perspective view of glasses showing my new design;
FIG. 2 is a second perspective view thereof;
FIG. 3 is a front view thereof;
FIG. 4 is a back view thereof
FIG. 5 is a left side view thereof;
FIG. 6 is a right side view thereof;
FIG. 7 is a top view thereof; and,
FIG. 8 is a bottom view thereof.
The broken lines shown in the drawings depict portions of the glasses that form no part of the claimed design.

1 Claim, 8 Drawing Sheets



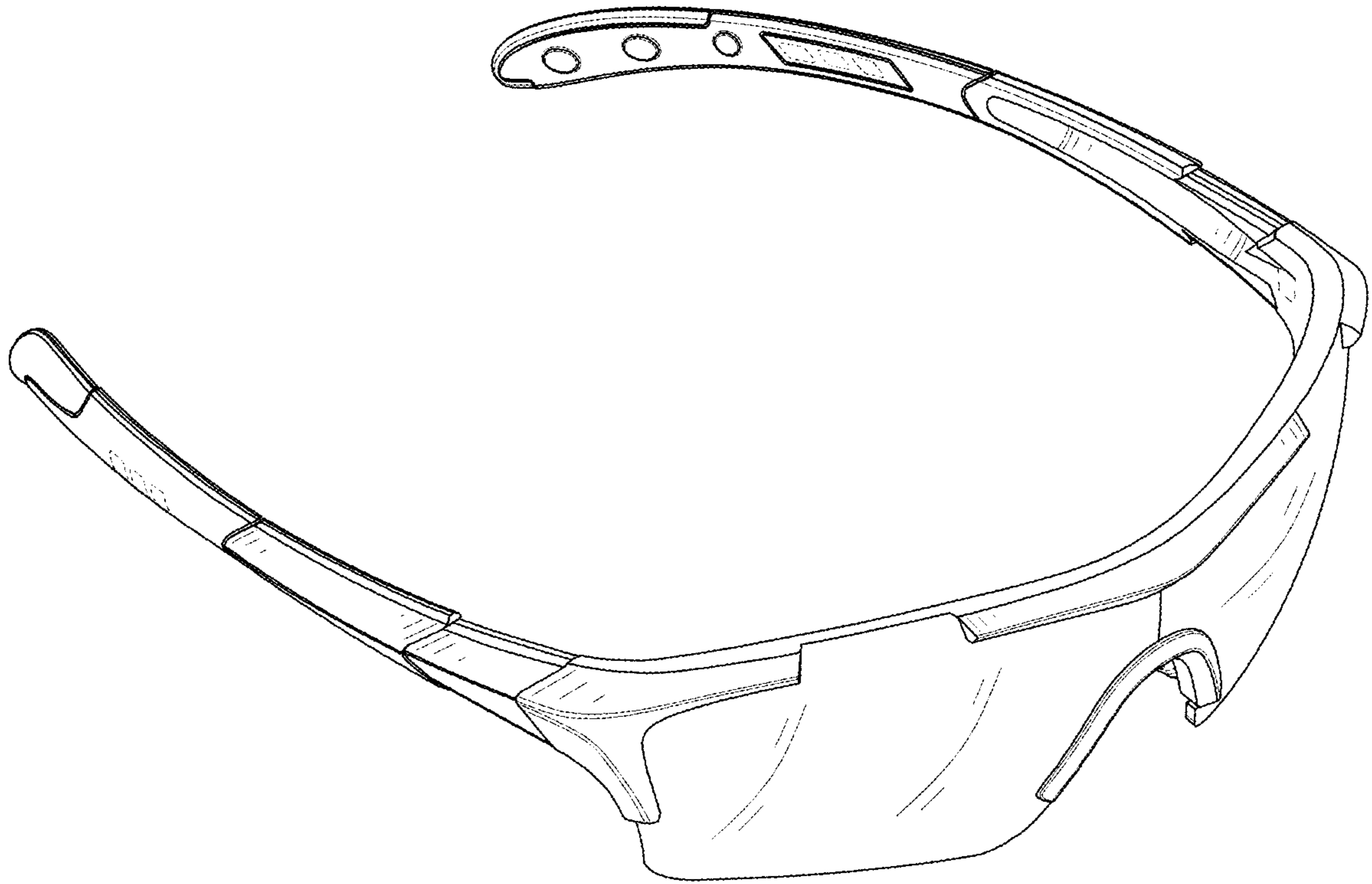


FIG. 1

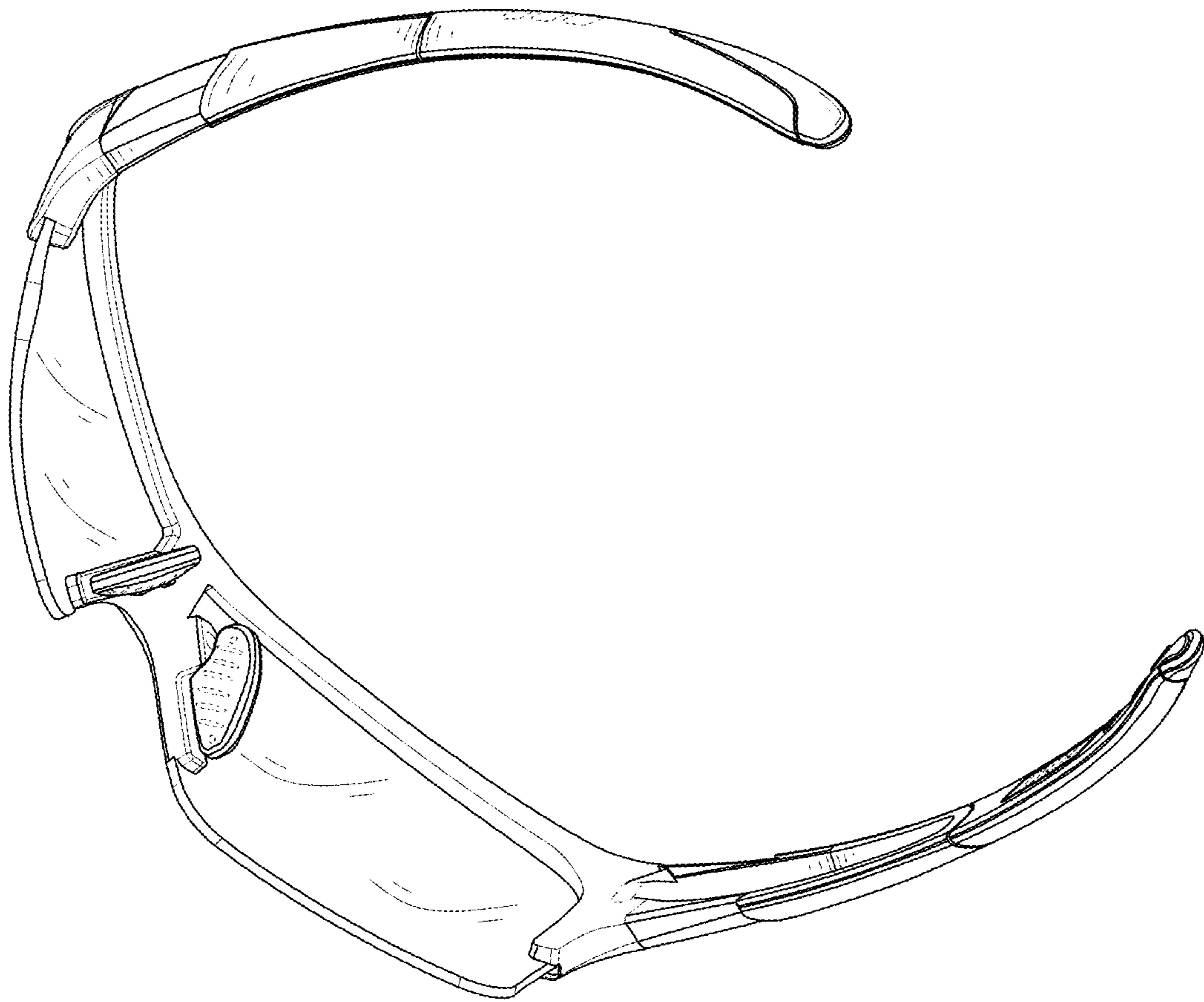


FIG. 2

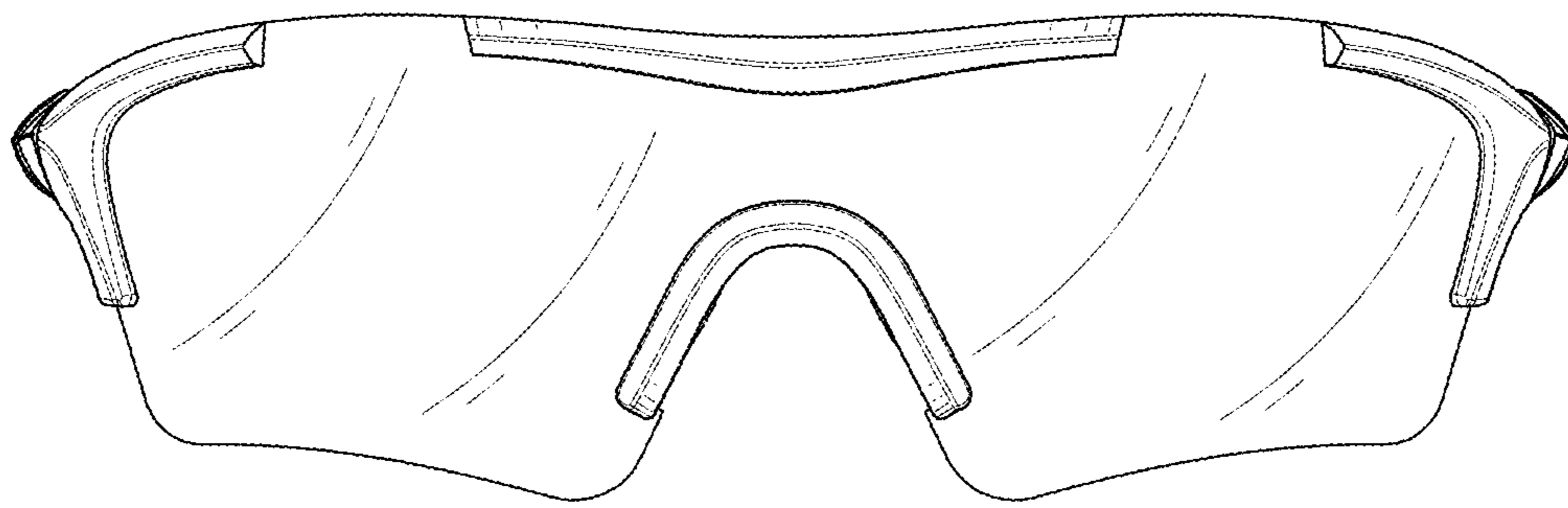


FIG. 3

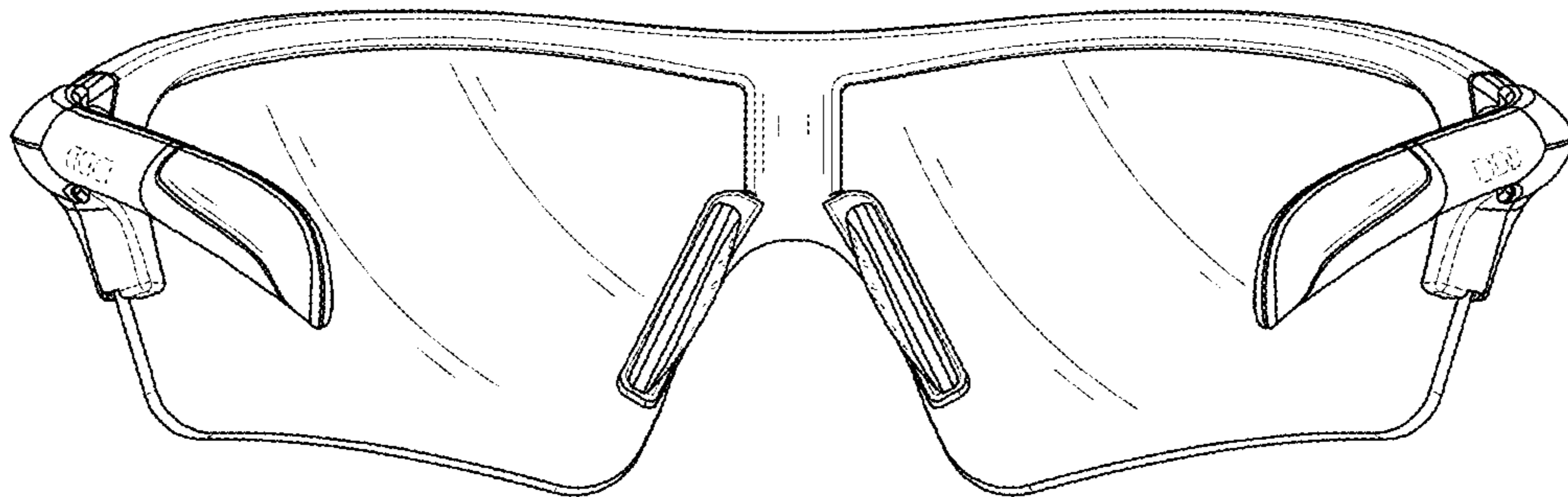


FIG. 4

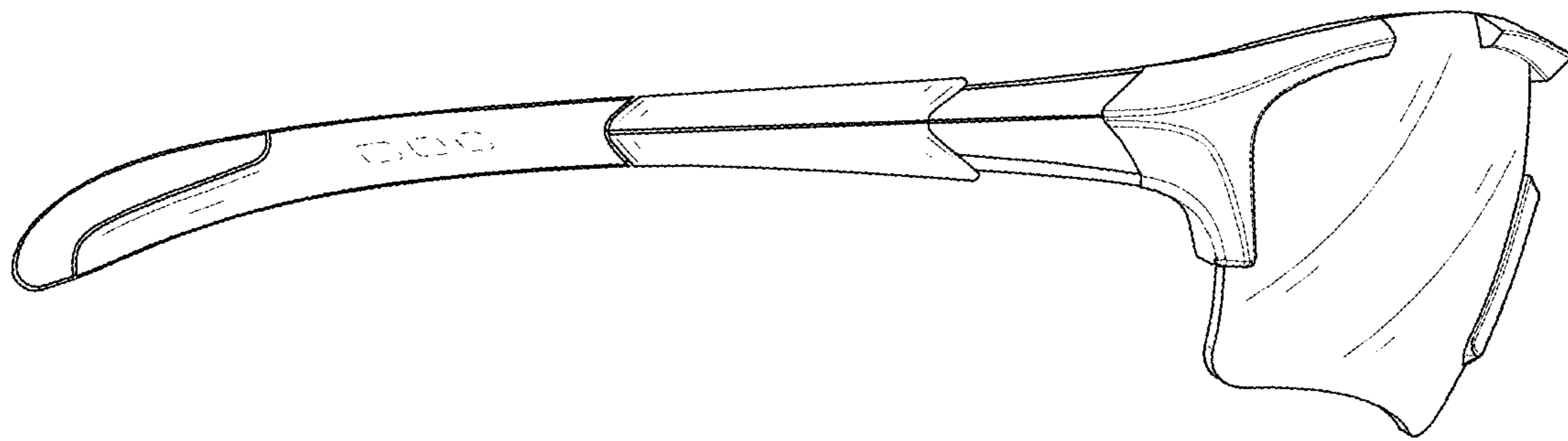


FIG. 5

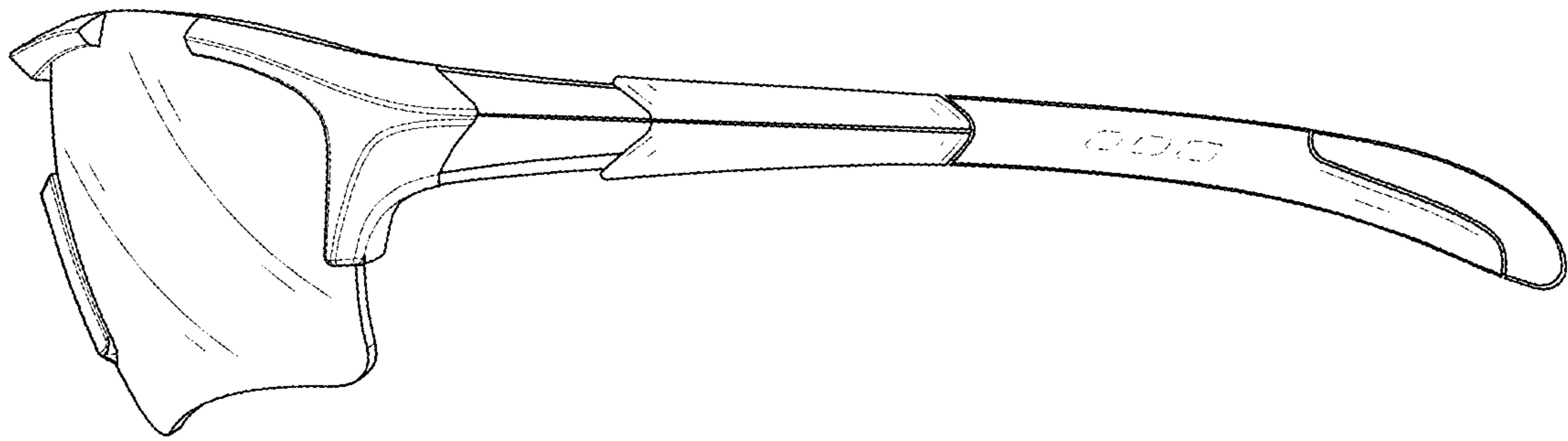


FIG. 6

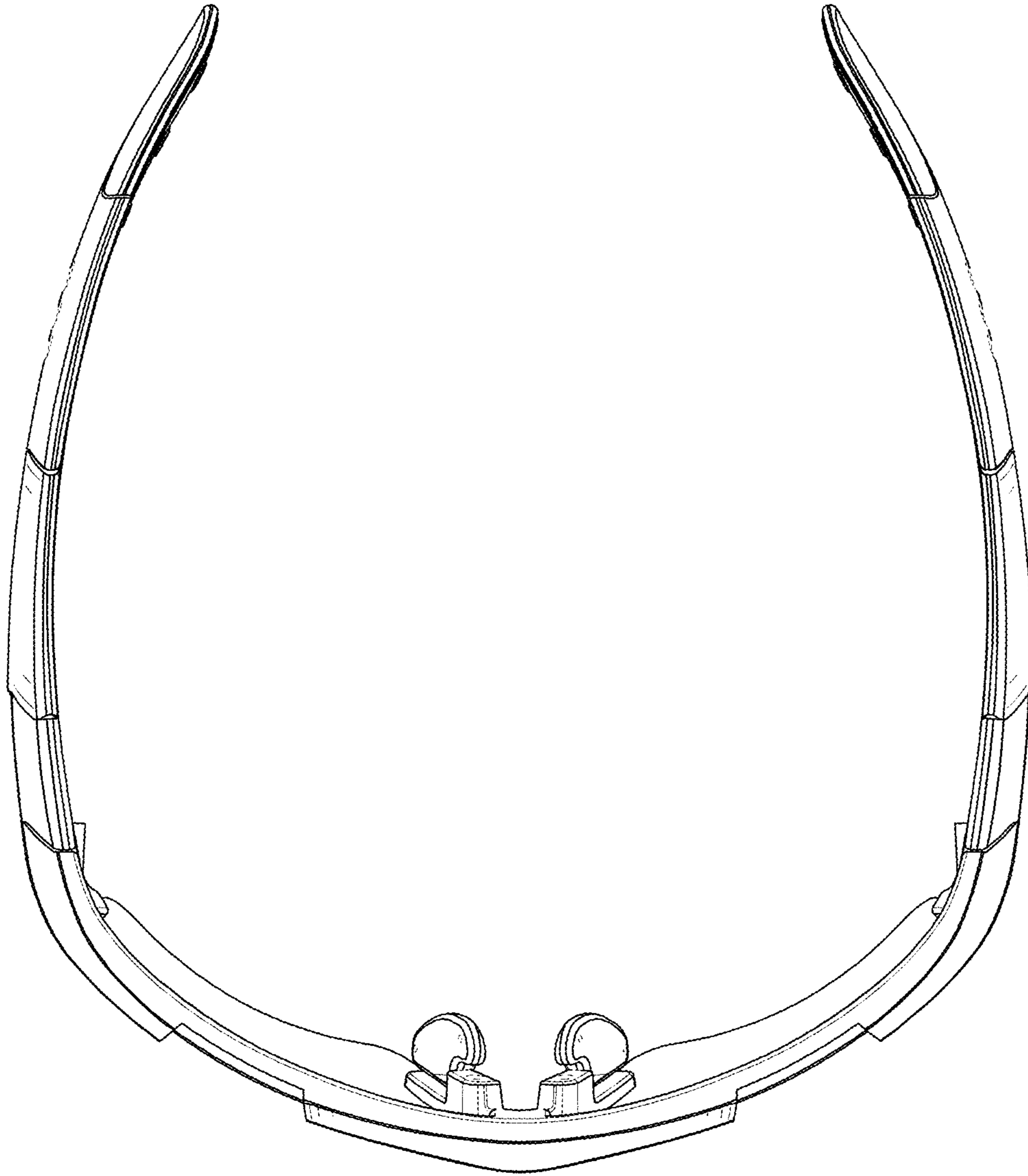


FIG. 7

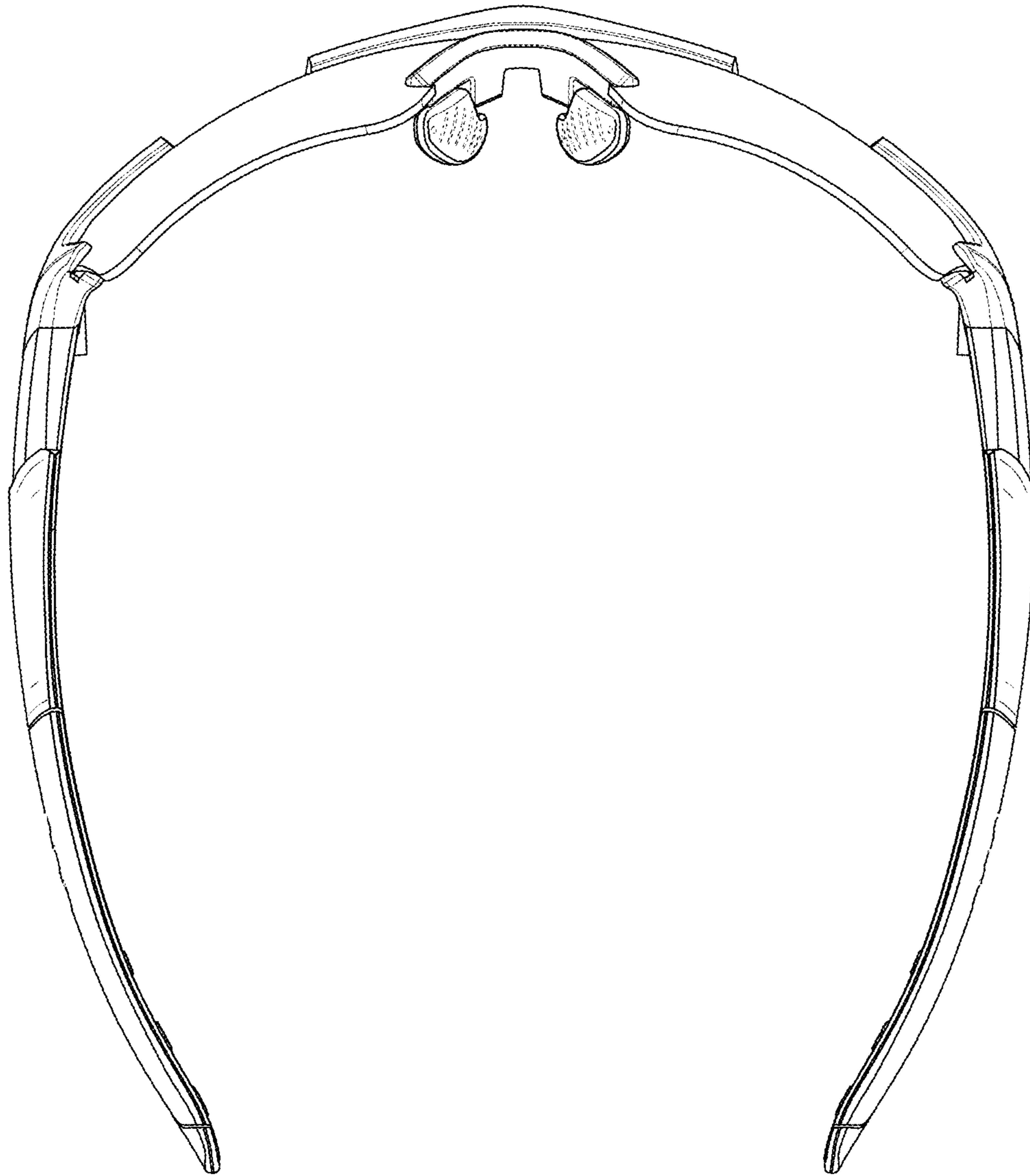


FIG. 8