



US00D971996S

(12) **United States Design Patent** (10) **Patent No.:** **US D971,996 S**  
**Xia et al.** (45) **Date of Patent:** **\*\* Dec. 6, 2022**

(54) **TRIPOD**

FOREIGN PATENT DOCUMENTS

(71) Applicant: **SHENZHEN NEEWER TECHNOLOGY CO. LTD**, Shenzhen (CN)

CN 202030789061.7 \* 6/2021

(72) Inventors: **Liang Xia**, Shenzhen (CN); **Jun Wang**, Shenzhen (CN); **Yan Ke**, Shenzhen (CN)

OTHER PUBLICATIONS

BeFree One Aluminium Travel Tripod with Head, grey. Online, published date unknown. Retrieved on Sep. 27, 2022 from URL: <https://www.manfrotto.com/global/befree-one-aluminium-travel-tripod-with-head-grey-mkbfr1a4d-bh/>.\*

(73) Assignee: **SHENZHEN NEEWER TECHNOLOGY CO. LTD**, Shenzhen (CN)

*Primary Examiner* — Omeed Agilee

(74) *Attorney, Agent, or Firm* — Westbridge IP LLC

(\*\*) Term: **15 Years**

(57) **CLAIM**

The ornamental design for a tripod, as shown and described.

(21) Appl. No.: **29/846,451**

**DESCRIPTION**

(22) Filed: **Jul. 15, 2022**

(30) **Foreign Application Priority Data**

Jun. 30, 2022 (CN) ..... 202230411719.X

(51) **LOC (13) Cl.** ..... **16-05**

(52) **U.S. Cl.**  
USPC ..... **D16/244**

(58) **Field of Classification Search**  
USPC ..... D16/200, 204, 208, 213–219, 235, D16/237–250; D14/209, 217, 224, D14/250–253, 345, 440, 449; D8/300–303, 305, 363, 373, 394  
CPC ..... G03B 17/02; G03B 17/04; G03B 17/14; G03B 21/20; G03B 21/20666; G03B 15/041–0436; F16M 11/32  
See application file for complete search history.

FIG. 1 is a front and right perspective view of a tripod showing our new design;  
FIG. 2 is a rear and left perspective view thereof;  
FIG. 3 is a front elevation view thereof;  
FIG. 4 is a rear elevation view thereof;  
FIG. 5 is a left side elevation view thereof;  
FIG. 6 is a right side elevation view thereof;  
FIG. 7 is a top plan view thereof;  
FIG. 8 is a bottom plan view thereof;  
FIG. 9 is a partial enlarged view taken from circle 9 in FIG. 1;  
FIG. 10 is a partial enlarged view taken from circle 10 in FIG. 2;  
FIG. 11 is a front and right perspective view thereof in a raised configuration; and,  
FIG. 12 is a front and right perspective view thereof in a folded configuration.

(56) **References Cited**

U.S. PATENT DOCUMENTS

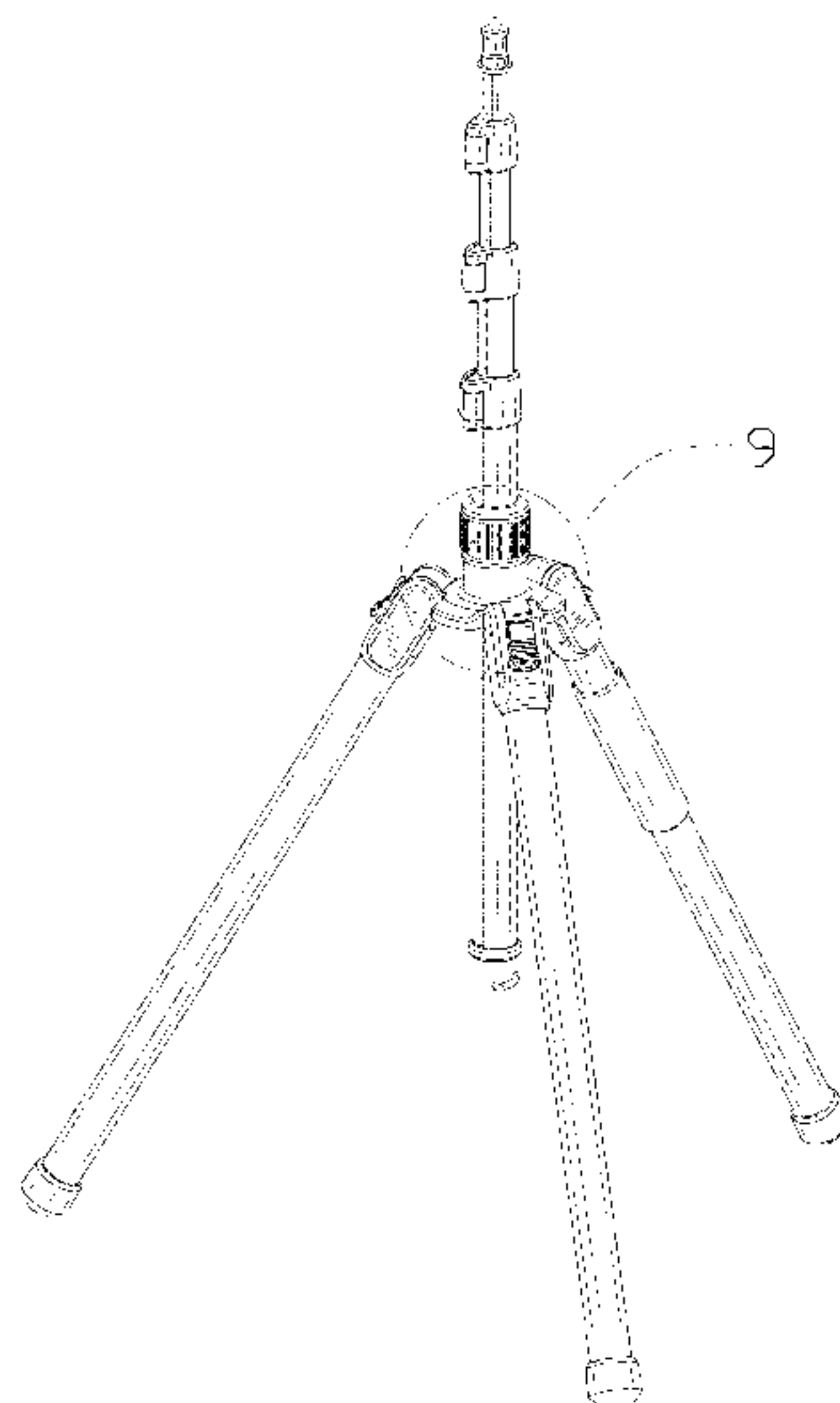
D607,037 S \* 12/2009 Lee ..... D16/244  
D807,421 S \* 1/2018 Yin ..... D16/244  
D864,282 S \* 10/2019 Liu ..... D16/244

(Continued)

The dash-dash broken lines in the drawings depict the portions of the tripod which form no part of the claimed design.

The dot-dash broken lines in the drawings depict the boundaries of the enlarged views that form no part of the claimed design.

**1 Claim, 12 Drawing Sheets**



(56)

**References Cited**

## U.S. PATENT DOCUMENTS

D888,814	S *	6/2020	Chen	.....	D16/244
D920,421	S *	5/2021	Li	.....	D16/244
D930,223	S	9/2021	Ran		
D930,734	S	9/2021	Li et al.		
D930,886	S	9/2021	Xiao		
D944,883	S	3/2022	Li et al.		
D946,076	S	3/2022	Zhou		
D947,930	S	4/2022	Chen		
D950,634	S	5/2022	Fan		
D954,787	S	6/2022	Li		
D956,128	S	6/2022	Lin		
D957,510	S *	7/2022	Lin	.....	D16/244
D959,539	S *	8/2022	Lin	.....	D16/244
D962,328	S *	8/2022	Zhong	.....	D16/244
2008/0224000	A1 *	9/2008	Yang	.....	F16M 11/16 248/163.1
2009/0250567	A1 *	10/2009	Raynaud	.....	F16M 11/16 248/168
2015/0076296	A1 *	3/2015	Yang	.....	F16M 11/32 248/163.2
2019/0003635	A1 *	1/2019	Li	.....	F16M 11/242
2019/0078728	A1 *	3/2019	Wilson	.....	F16M 11/28
2021/0190261	A1 *	6/2021	Warner	.....	F16M 11/16

\* cited by examiner

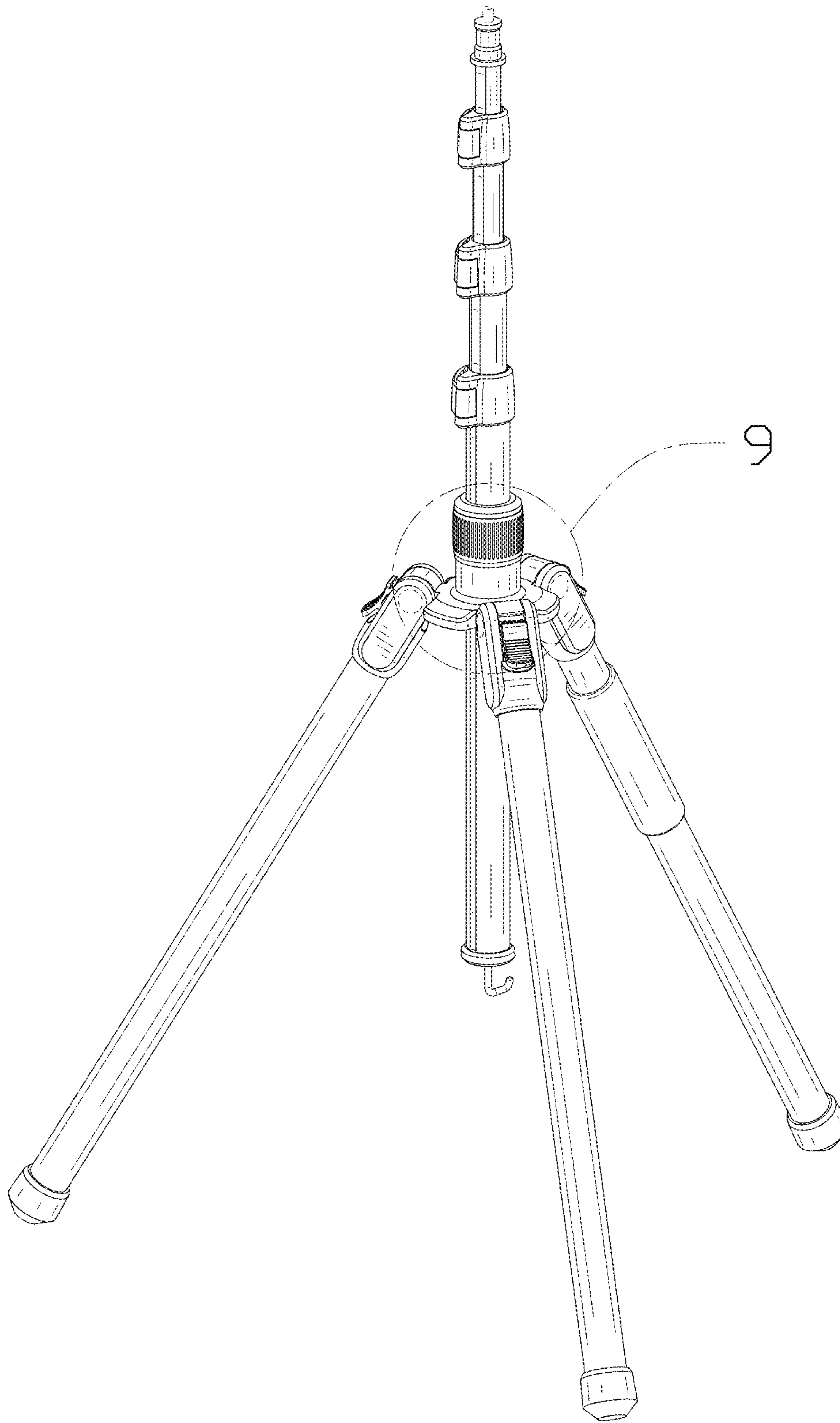


FIG. 1

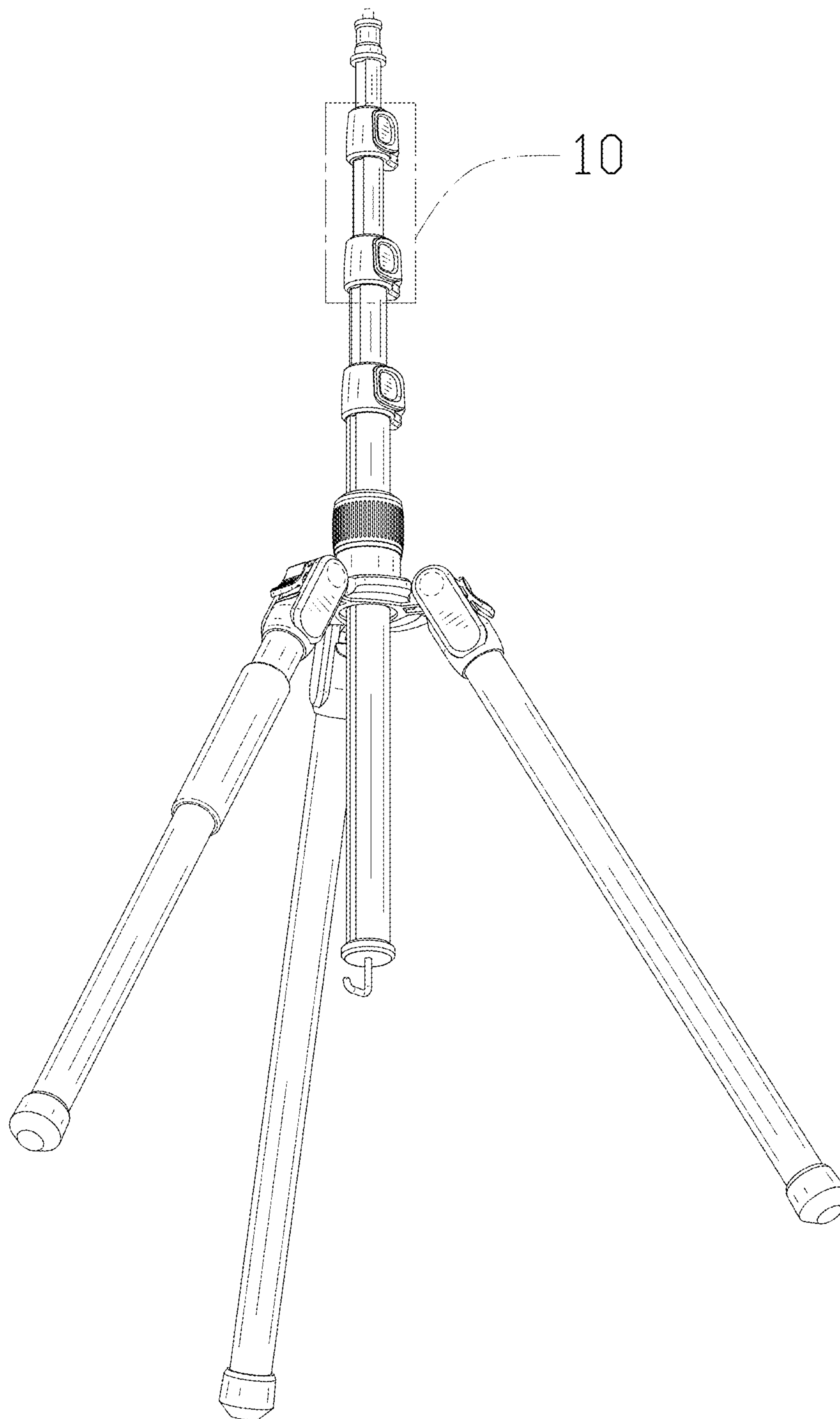


FIG. 2

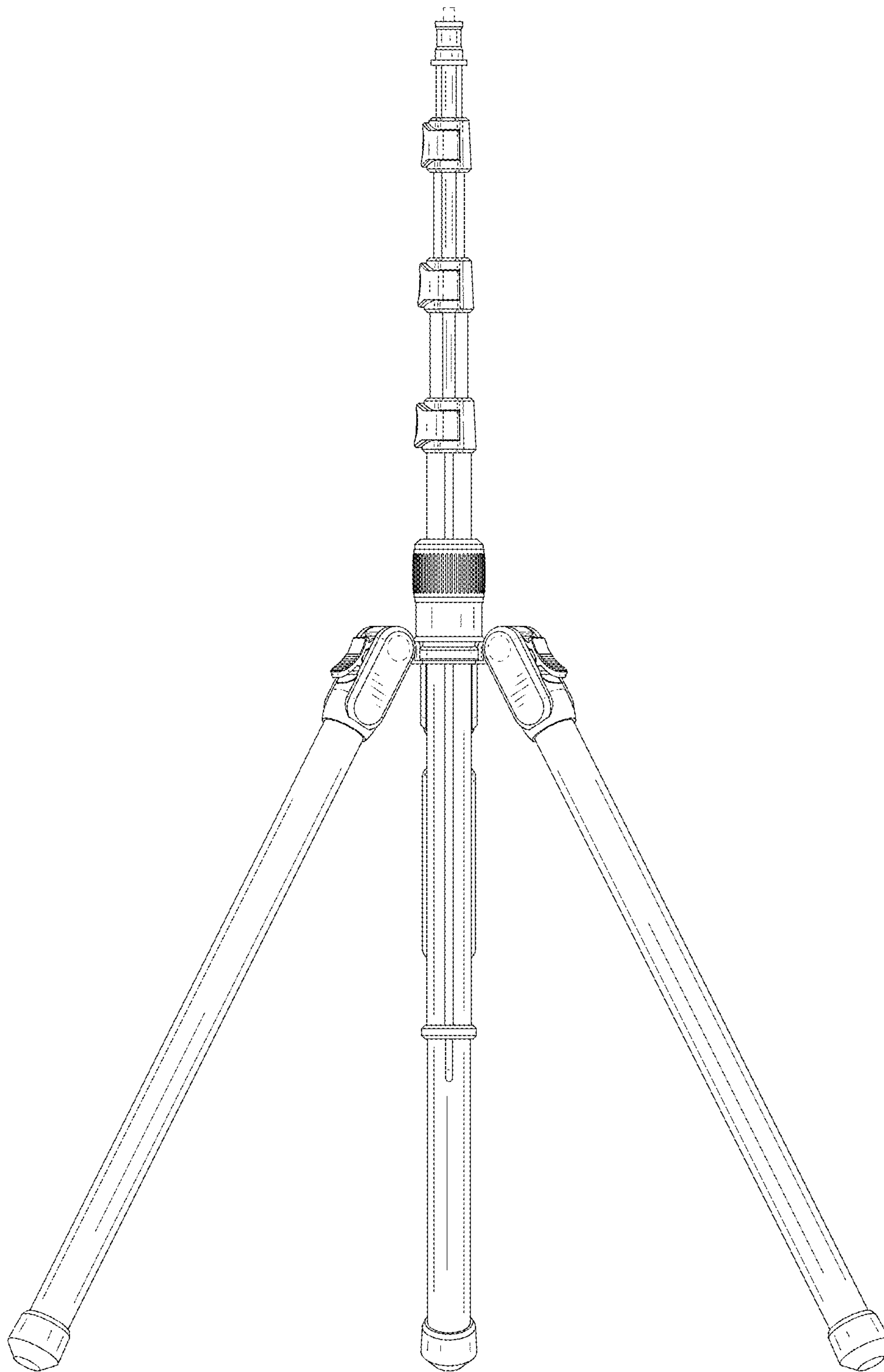


FIG. 3



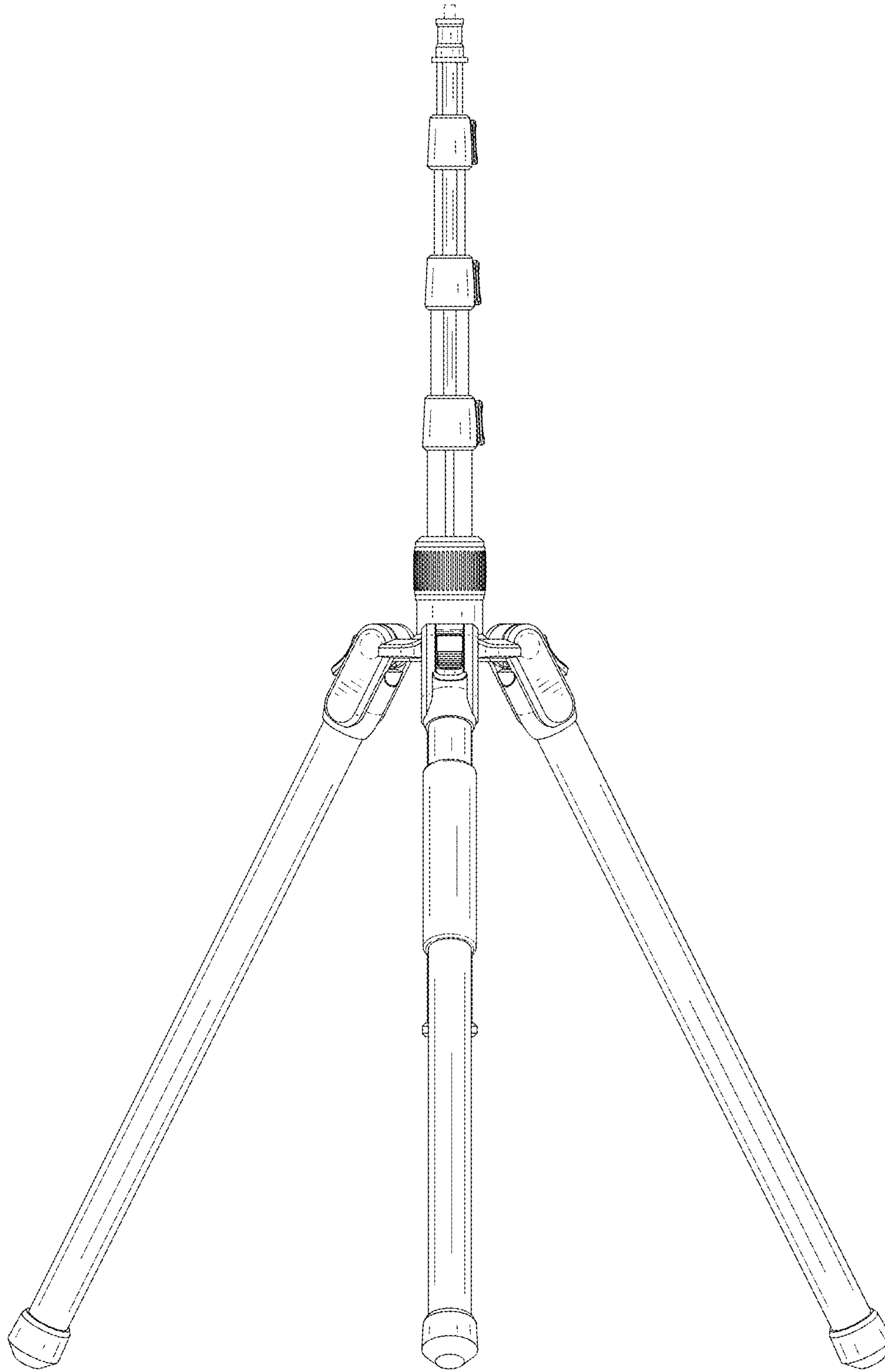


FIG. 4

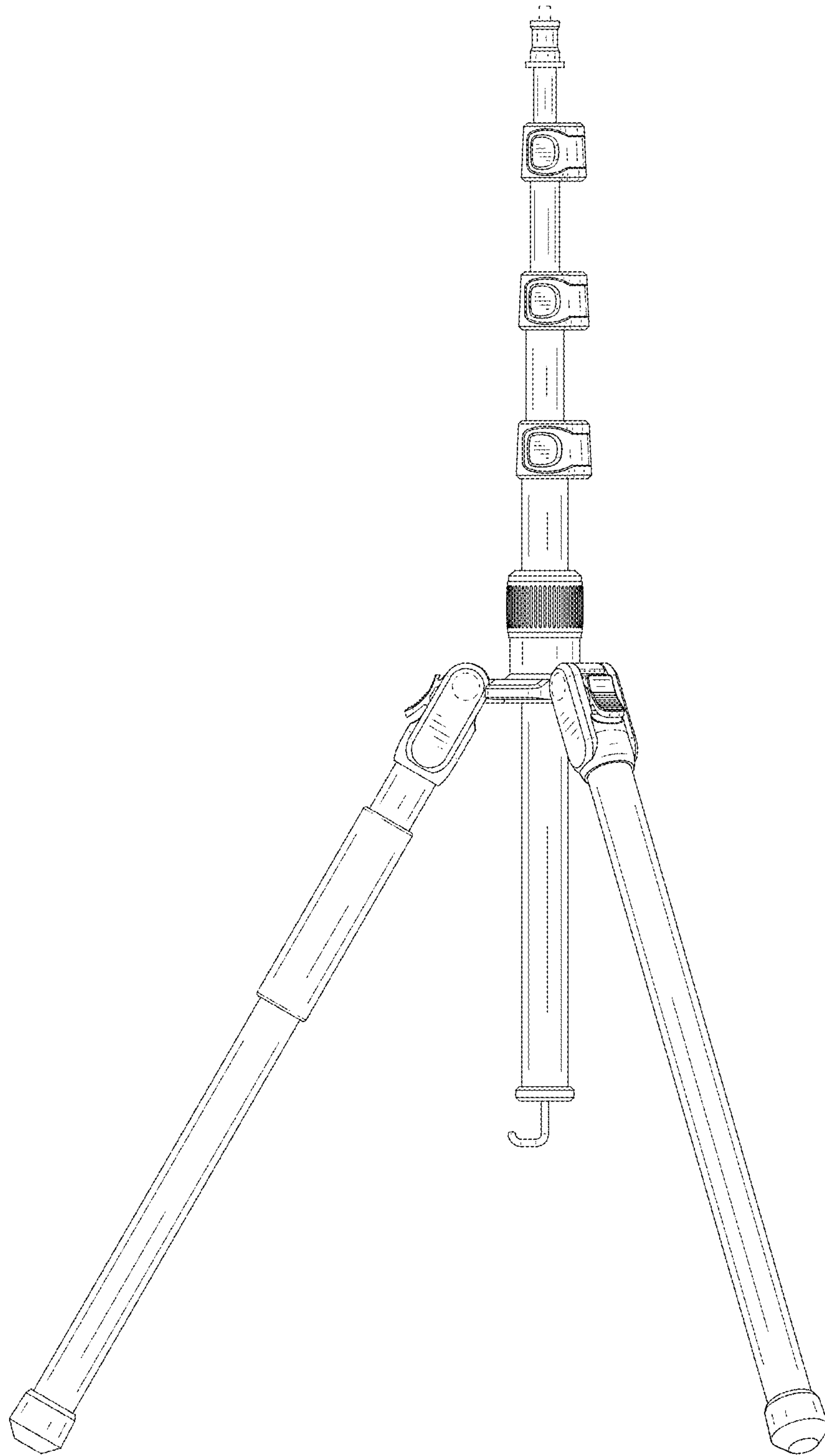


FIG. 5

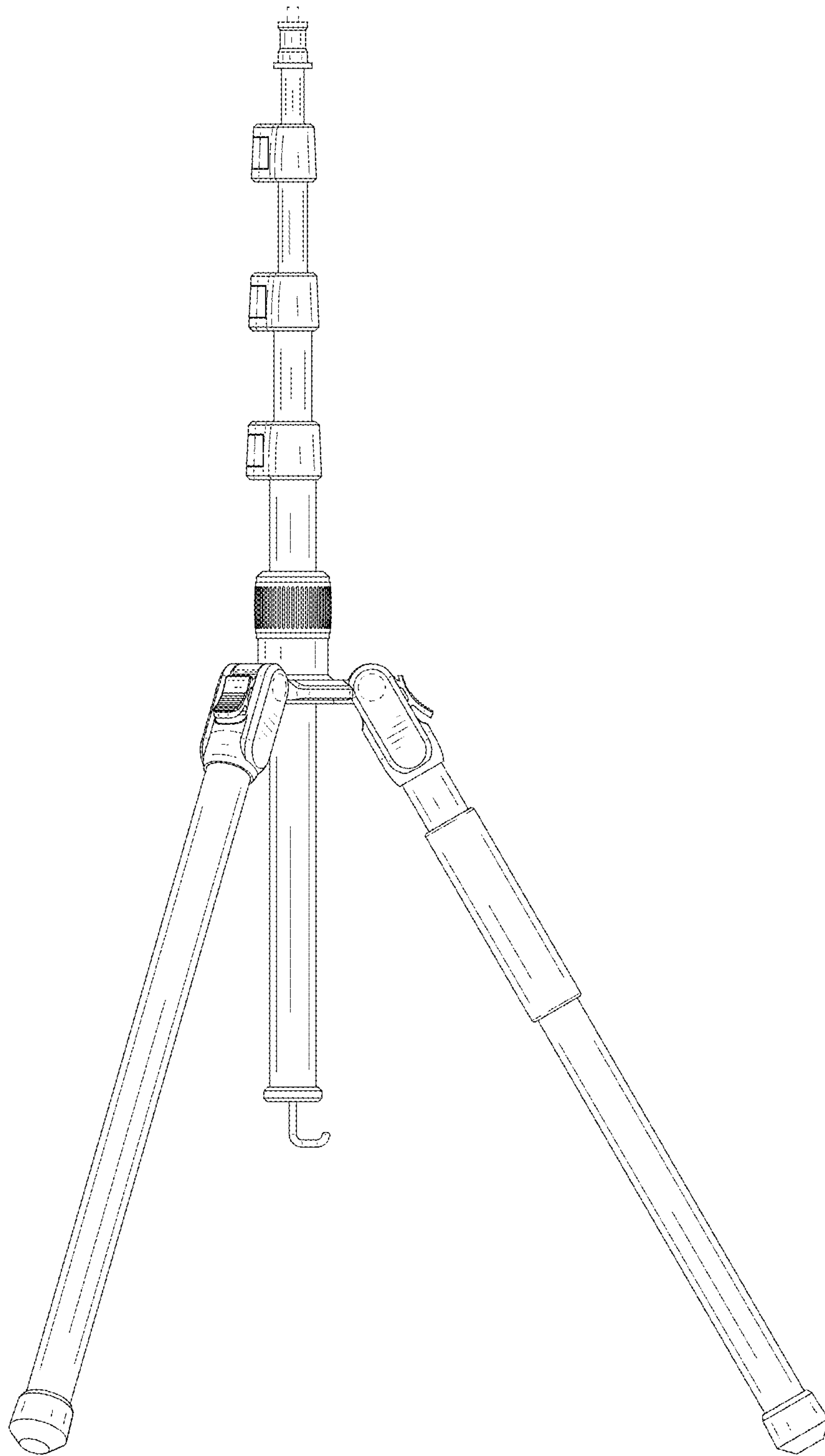


FIG. 6



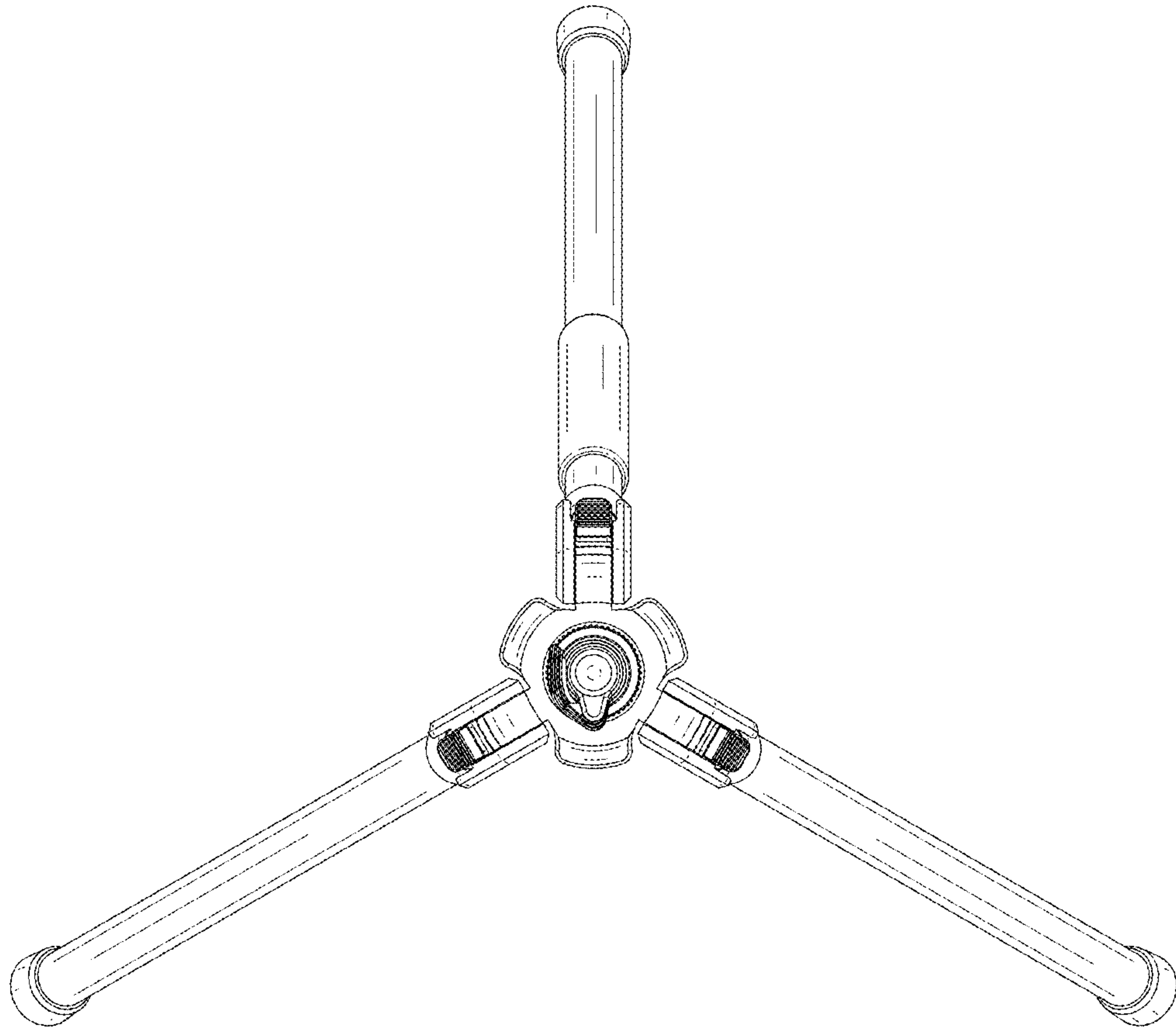


FIG. 7

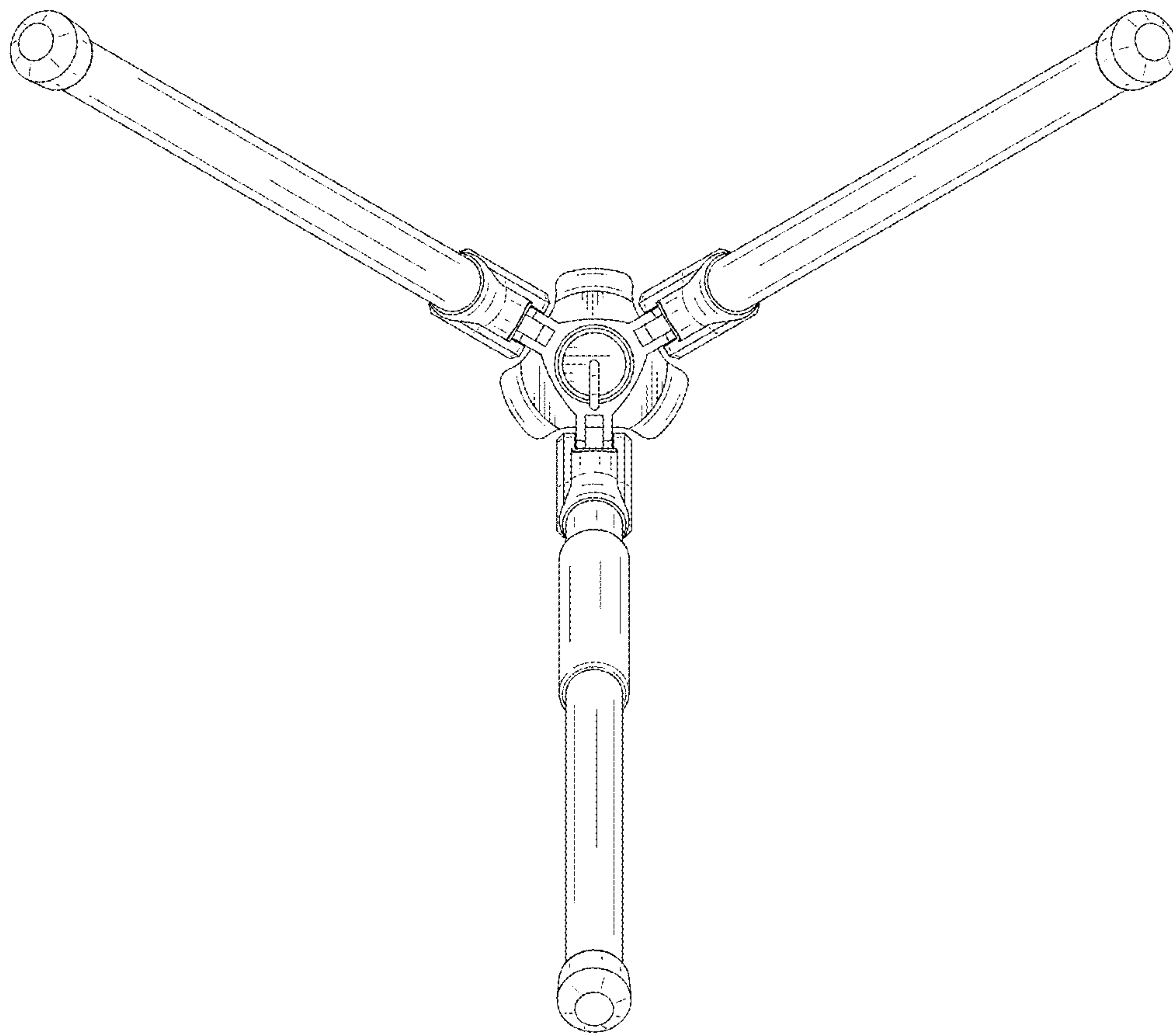


FIG. 8

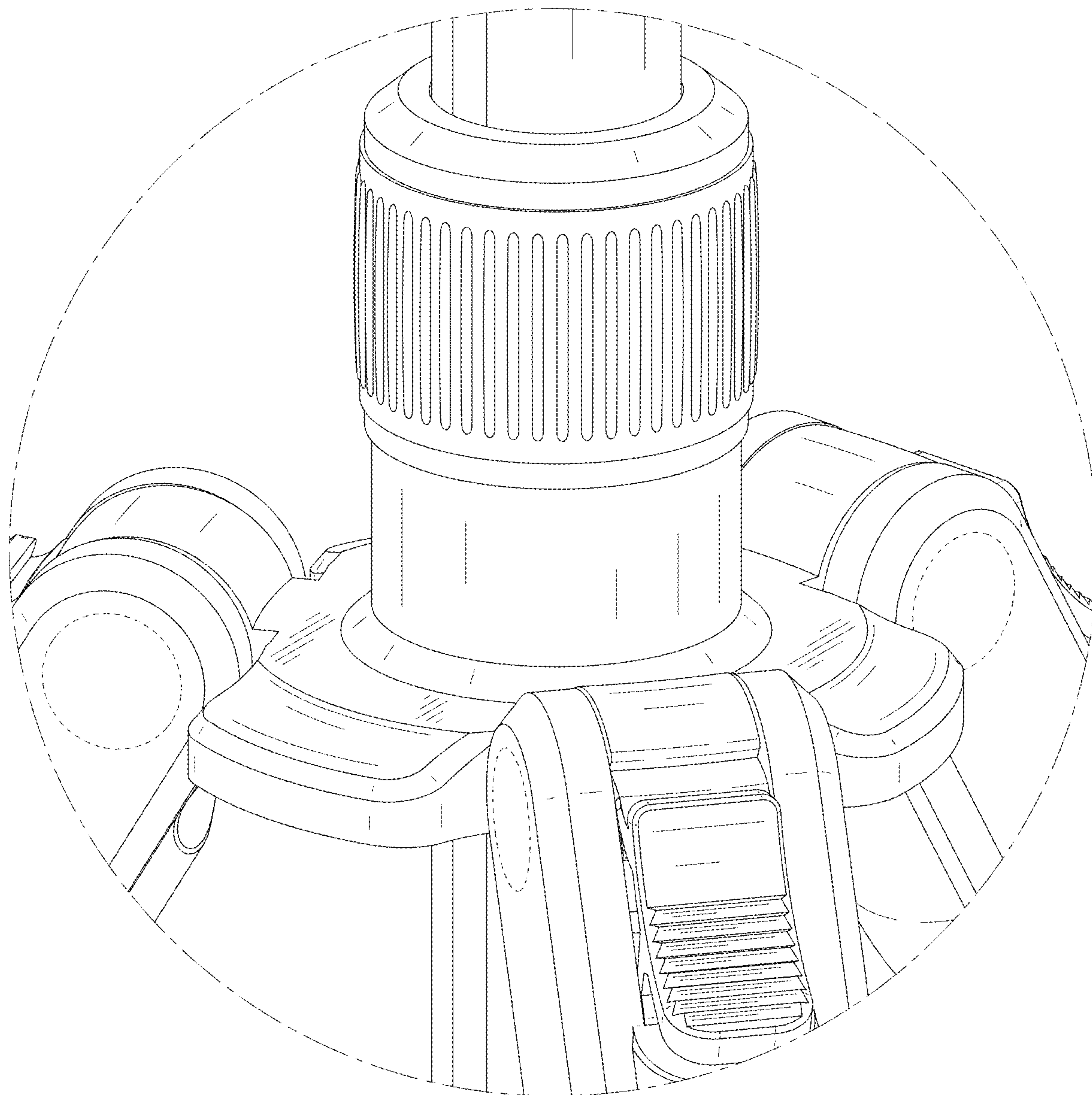


FIG. 9

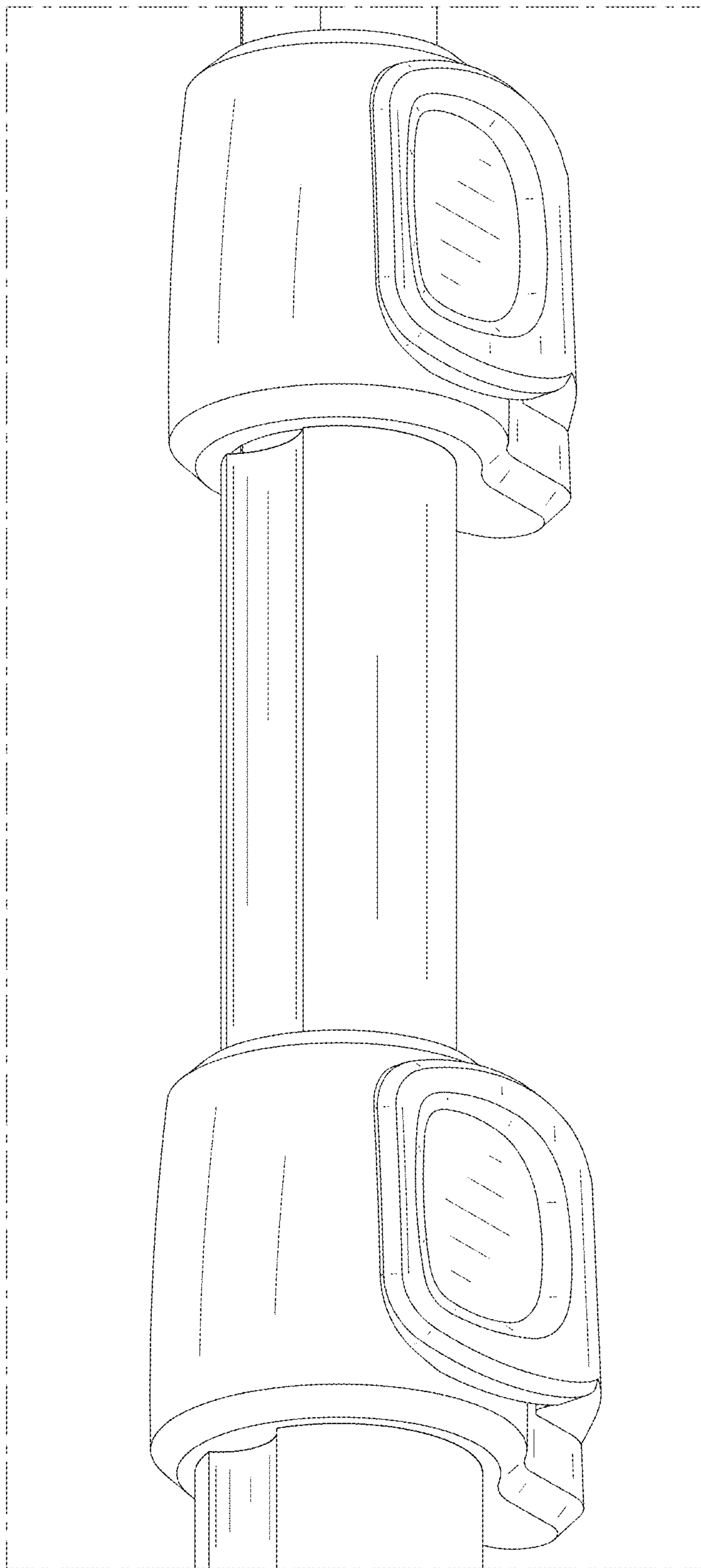


FIG. 10

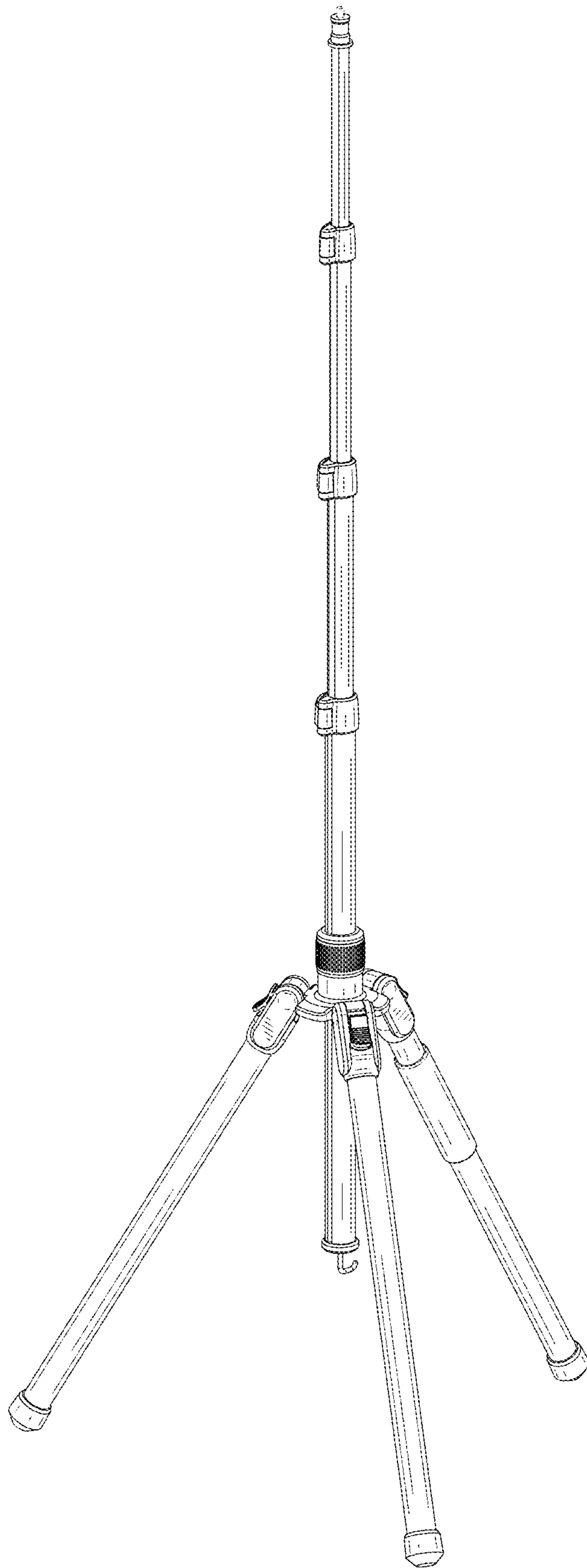


FIG. 11



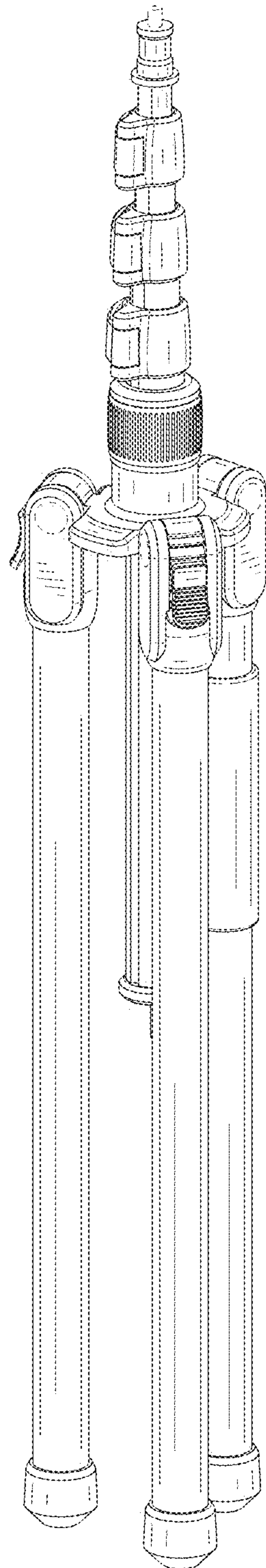


FIG. 12