



US00D971994S

(12) **United States Design Patent** (10) **Patent No.:** **US D971,994 S**
Wu (45) **Date of Patent:** **** Dec. 6, 2022**

(54) **SELFIE STICK TRIPOD**
(71) Applicant: **Debin Wu**, Guangdong (CN)
(72) Inventor: **Debin Wu**, Guangdong (CN)
(**) Term: **15 Years**

D921,096 S * 6/2021 Chen D16/244
D930,223 S 9/2021 Ran
D930,734 S 9/2021 Li et al.
D946,563 S * 3/2022 Law D16/244
2017/0264329 A1* 9/2017 Balmer F16M 11/10

* cited by examiner

Primary Examiner — Ramzi Almatrahi

(21) Appl. No.: **29/819,776**
(22) Filed: **Dec. 17, 2021**
(51) **LOC (13) Cl.** **16-05**
(52) **U.S. Cl.**
USPC **D16/244**
(58) **Field of Classification Search**
USPC D16/208–209, 219, 237, 242–250;
D14/253
CPC G03B 17/02; G03B 17/56; G03B 17/04;
G03B 17/561–566; G03B 15/03; H04N
5/2251; H04N 5/2252; H04N 5/2253;
H04N 5/2254; G02B 7/02; G02B 7/04;
G02B 7/14
See application file for complete search history.

(57) **CLAIM**

The ornamental design for a selfie stick tripod, as shown and described.

DESCRIPTION

FIG. 1 is a front perspective view of a selfie stick tripod showing my new design;
FIG. 2 is a front view thereof;
FIG. 3 is a rear view thereof;
FIG. 4 is a side view thereof;
FIG. 5 is an opposite side view thereof;
FIG. 6 is a top view thereof;
FIG. 7 is a bottom view thereof;
FIG. 8 is an enlarged perspective view of portion 8 shown in FIG. 1;
FIG. 9 is an opposite side perspective view thereof, shown with the selfie stick tripod in a collapsed configuration;
FIG. 10 is a front view thereof; and,
FIG. 11 is a side view thereof.

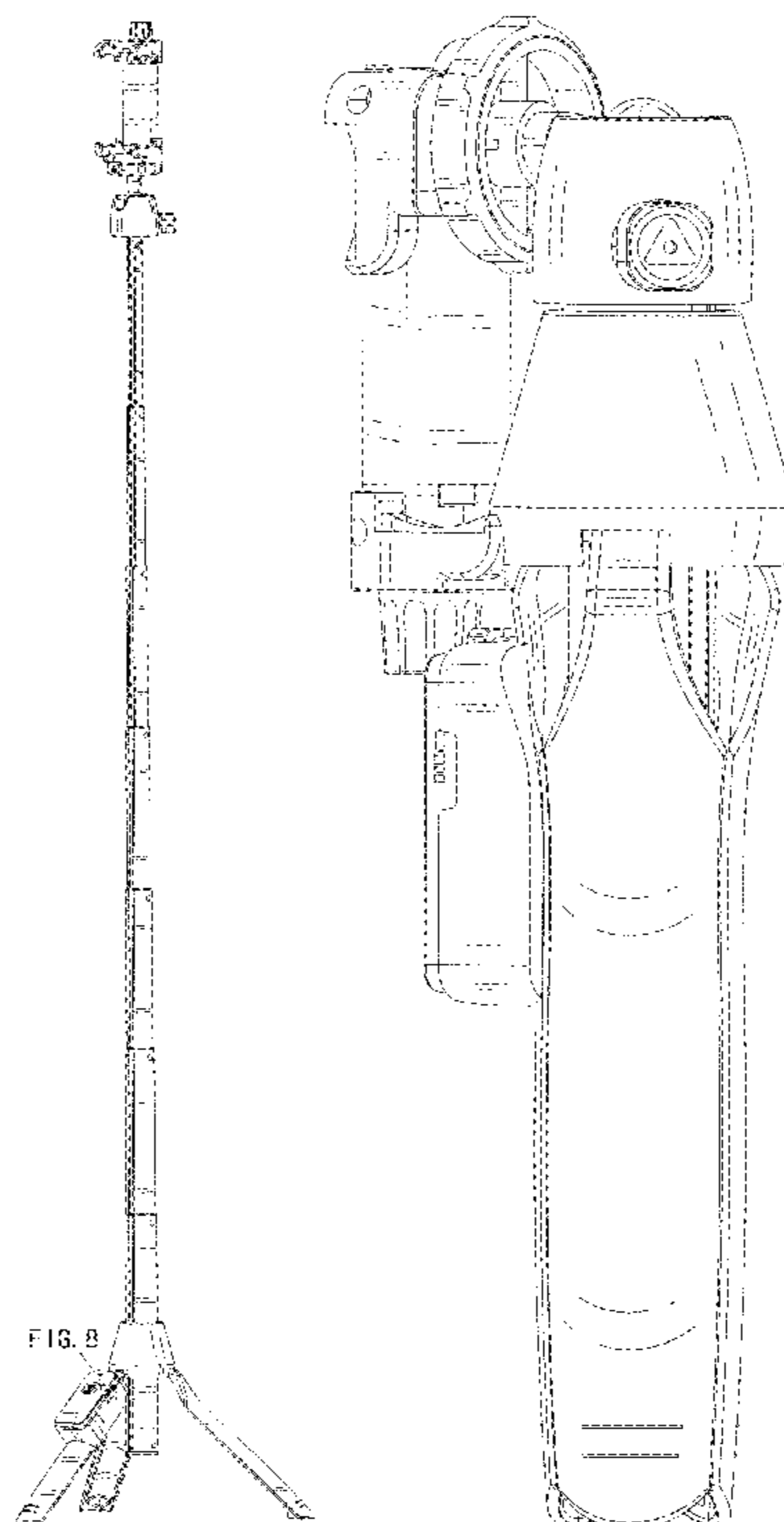
The broken lines depict portions of the selfie stick tripod in which the design is embodied that form no part of the claimed design. The broken lines encircling an enlargement portion of the design forms no part of the claimed design.

1 Claim, 11 Drawing Sheets

(56) **References Cited**

U.S. PATENT DOCUMENTS

D783,012 S * 4/2017 Lee D14/253
D854,006 S * 7/2019 Wang D14/253
D882,672 S * 4/2020 Xia D16/243
D888,814 S * 6/2020 Chen D16/244
D895,716 S * 9/2020 Chen D16/244
D899,491 S * 10/2020 Chen D16/244
D909,456 S * 2/2021 Xiao D16/244
D911,425 S * 2/2021 Shan D16/237
D911,427 S * 2/2021 Silva Casas D16/244
D918,286 S * 5/2021 Lin D16/244



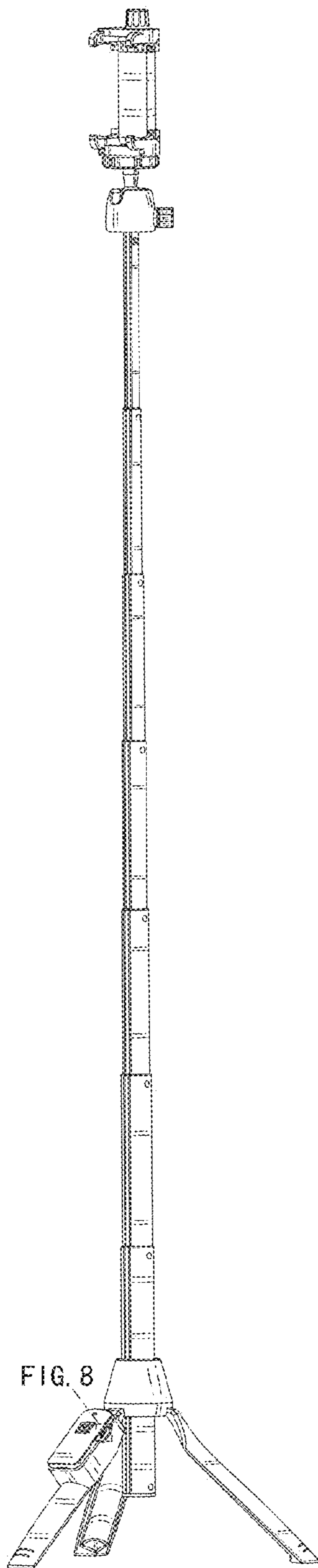


FIG. 1

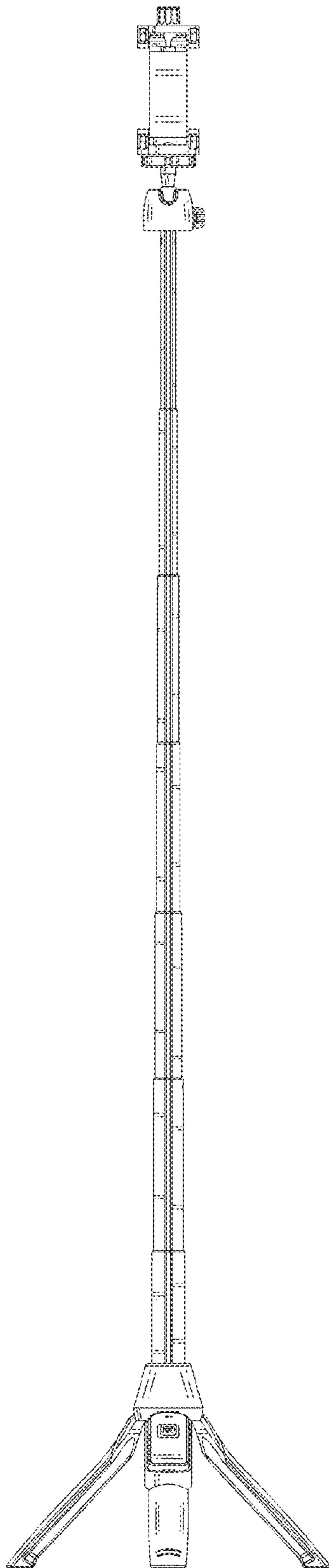


FIG.2

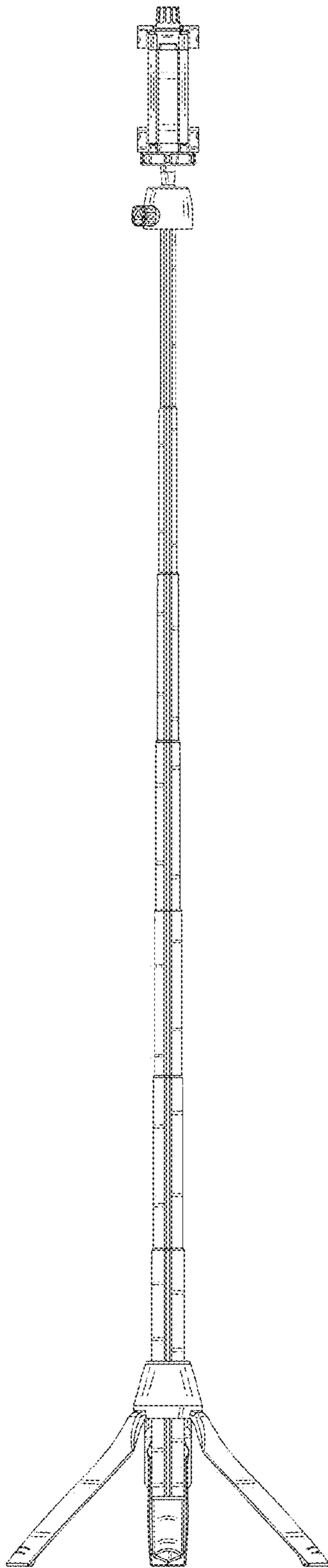


FIG.3

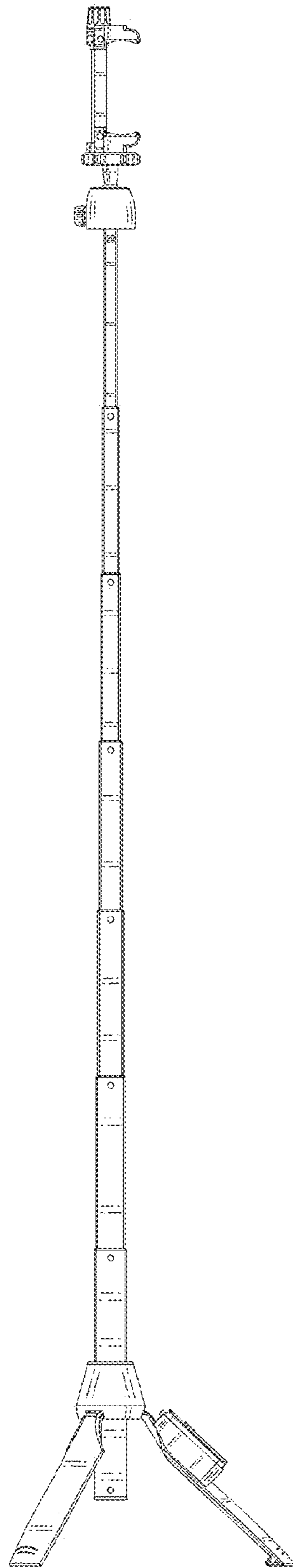


FIG.4

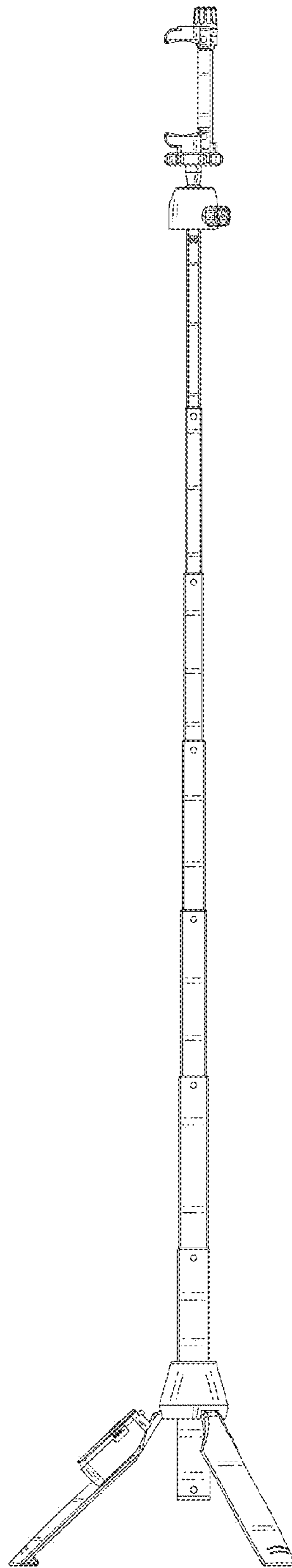


FIG.5

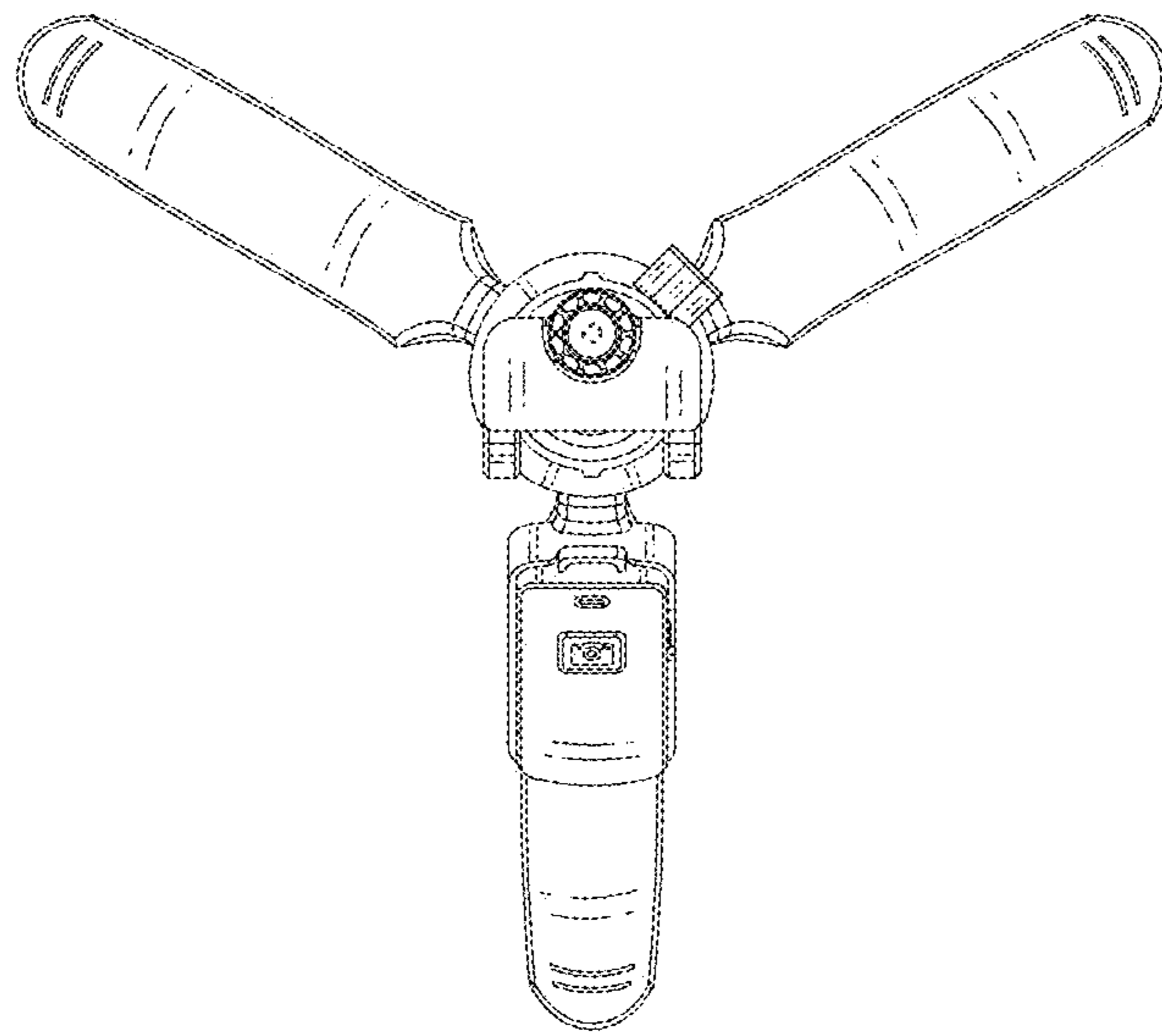


FIG.6

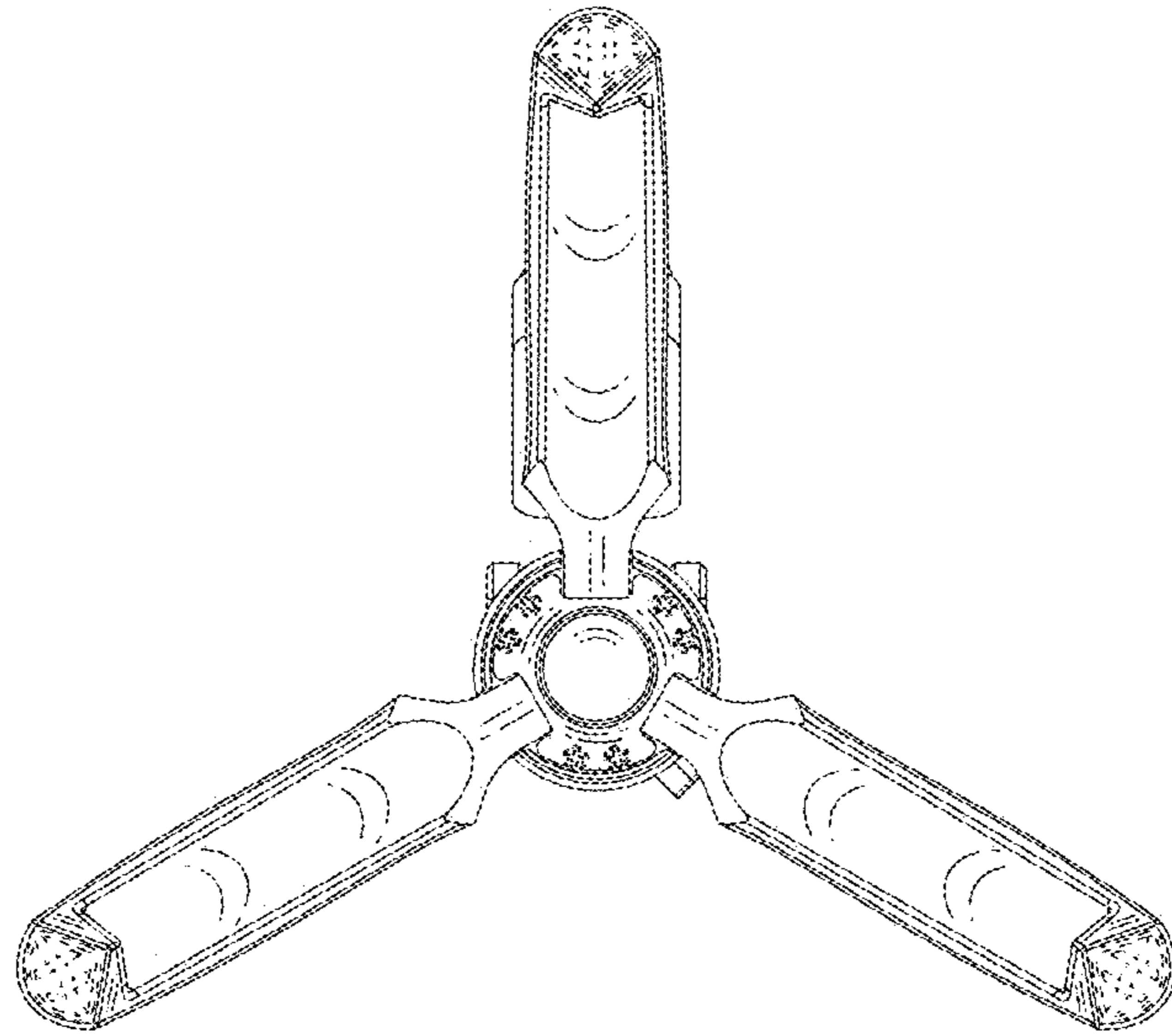


FIG.7

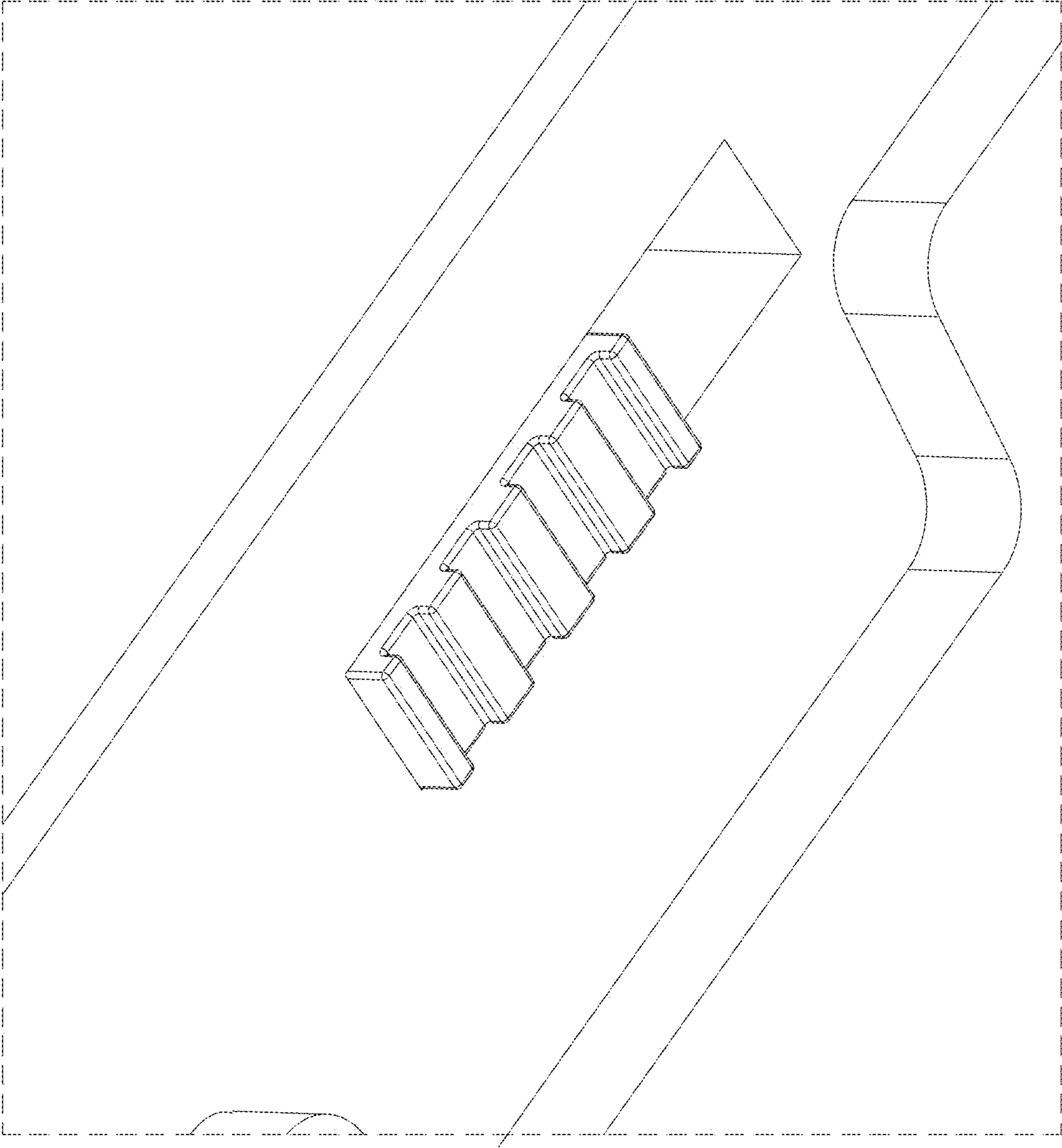


FIG.8

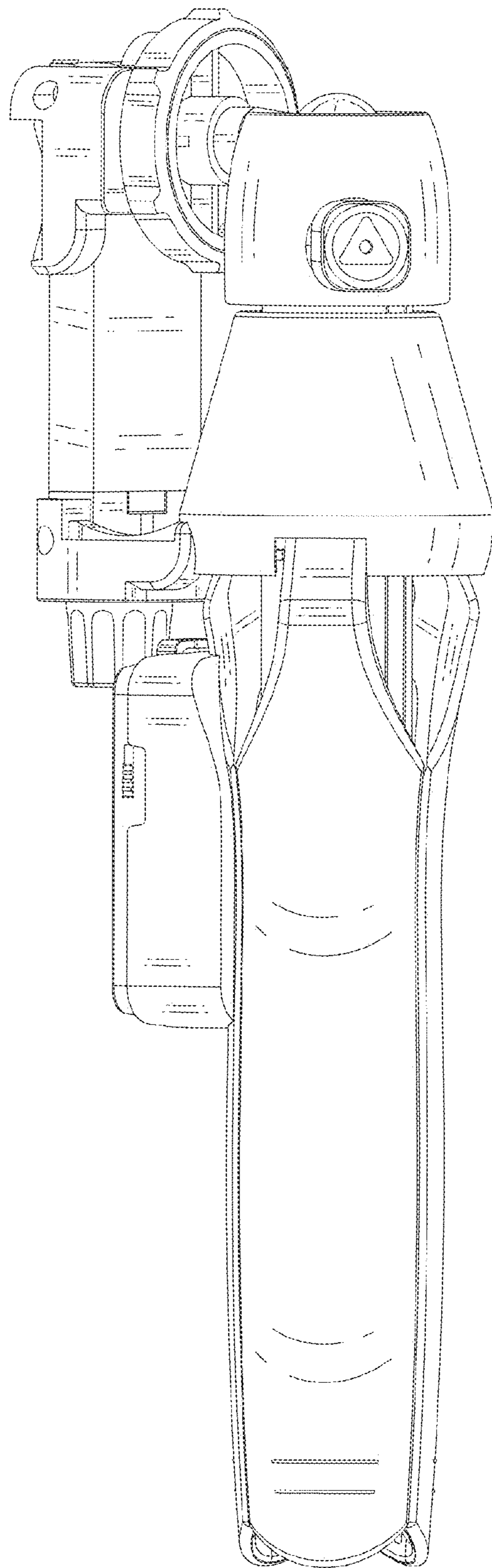


FIG.9

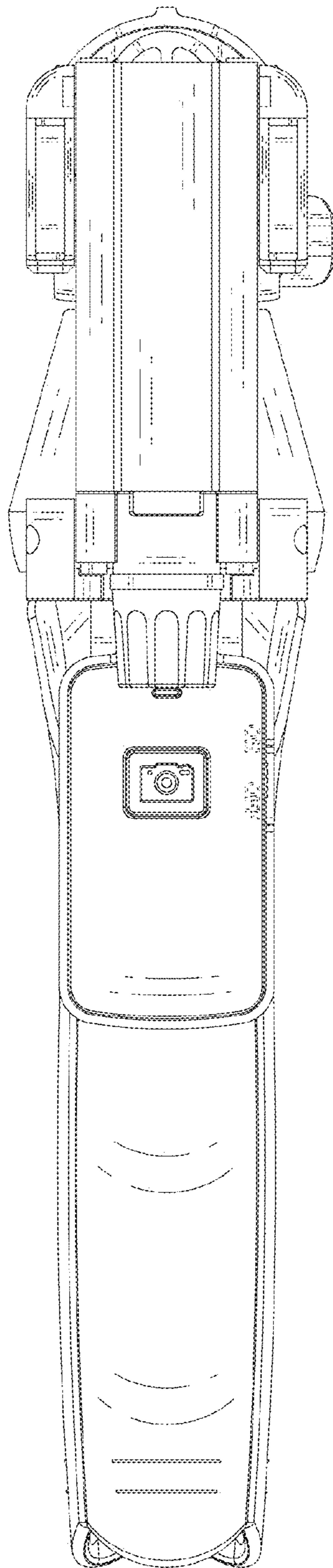


FIG. 10

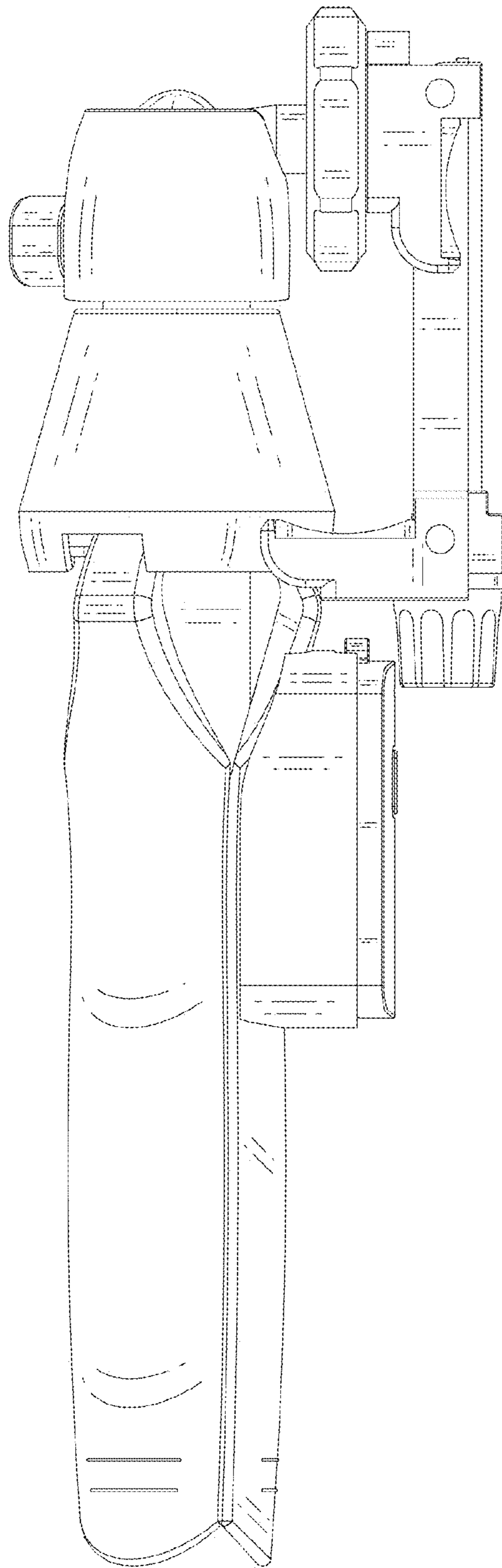


FIG.11