



US00D971993S

(12) **United States Design Patent** (10) **Patent No.:** **US D971,993 S**  
**Su** (45) **Date of Patent:** **\*\* Dec. 6, 2022**

(54) **TRIPOD FOR CAMERAS**

(71) Applicant: **Peifeng Su**, Sichuan (CN)

(72) Inventor: **Peifeng Su**, Sichuan (CN)

(\*\*) Term: **15 Years**

(21) Appl. No.: **29/738,316**

(22) Filed: **Jun. 16, 2020**

(51) **LOC (13) Cl.** ..... **16-05**

(52) **U.S. Cl.**  
USPC ..... **D16/244**

(58) **Field of Classification Search**  
USPC ..... D16/219, 237-250; D8/354, 355, 363, D8/373, 382-383, 394-396; D14/224, D14/229, 238, 251, 253, 447, 451, 457; D22/100, 108, 109, 110, 111, 113, 115, D22/116, 199; D26/118; D21/567, 573  
CPC ..... F16M 11/06-10; F16M 11/14; G02B 7/00-002; G03B 17/561-566; H04N 5/2253-2254; F41A 23/10; F41A 21/16; F41A 21/22; F41C 23/00; F41C 7/00; F41J 1/10; F41G 1/30  
See application file for complete search history.

(56) **References Cited**

**U.S. PATENT DOCUMENTS**

D324,584 S *	3/1992	Beavers	.....	D26/140
D723,311 S *	3/2015	Jiang	.....	D6/681
D839,018 S *	1/2019	Boitor	.....	D6/512
D880,048 S *	3/2020	Zhu	.....	D26/106
D881,980 S *	4/2020	Zhu	.....	D16/244
D901,578 S *	11/2020	Wang	.....	D16/244
D915,495 S *	4/2021	Zeng	.....	D16/244
D924,454 S *	7/2021	Xiong	.....	D26/51
D929,021 S *	8/2021	Xu	.....	D26/106
D929,022 S *	8/2021	Tang	.....	D26/102
D929,643 S *	8/2021	Feng	.....	D16/244
D930,224 S *	9/2021	Lin	.....	D16/244

D946,644 S *	3/2022	Lin	.....	D16/244
2005/0194503 A1 *	9/2005	Lee	.....	F16M 11/26 248/188.5
2019/0128471 A1 *	5/2019	Lin	.....	F16M 11/16

**FOREIGN PATENT DOCUMENTS**

CN	301883062	*	4/2012
CN	302527224	*	8/2013
CN	305802619	*	5/2020
CN	306033803	*	9/2020
CN	306130328	*	10/2020

(Continued)

**OTHER PUBLICATIONS**

Neewer Photography Light Stand, 3-6.6ft/92-200cm Adjustable Sturdy Tripod Stand, product available date unknown [online], no video/pictured review available [online], [site visited Apr. 1, 2022]:URL:<<https://neewer.com/collections/light-stand/products/lighting-studio-10090346>> (Year: 2022).\*

(Continued)

*Primary Examiner* — Bao-Yen T Nguyen

*Assistant Examiner* — Loryn K. Leblanc

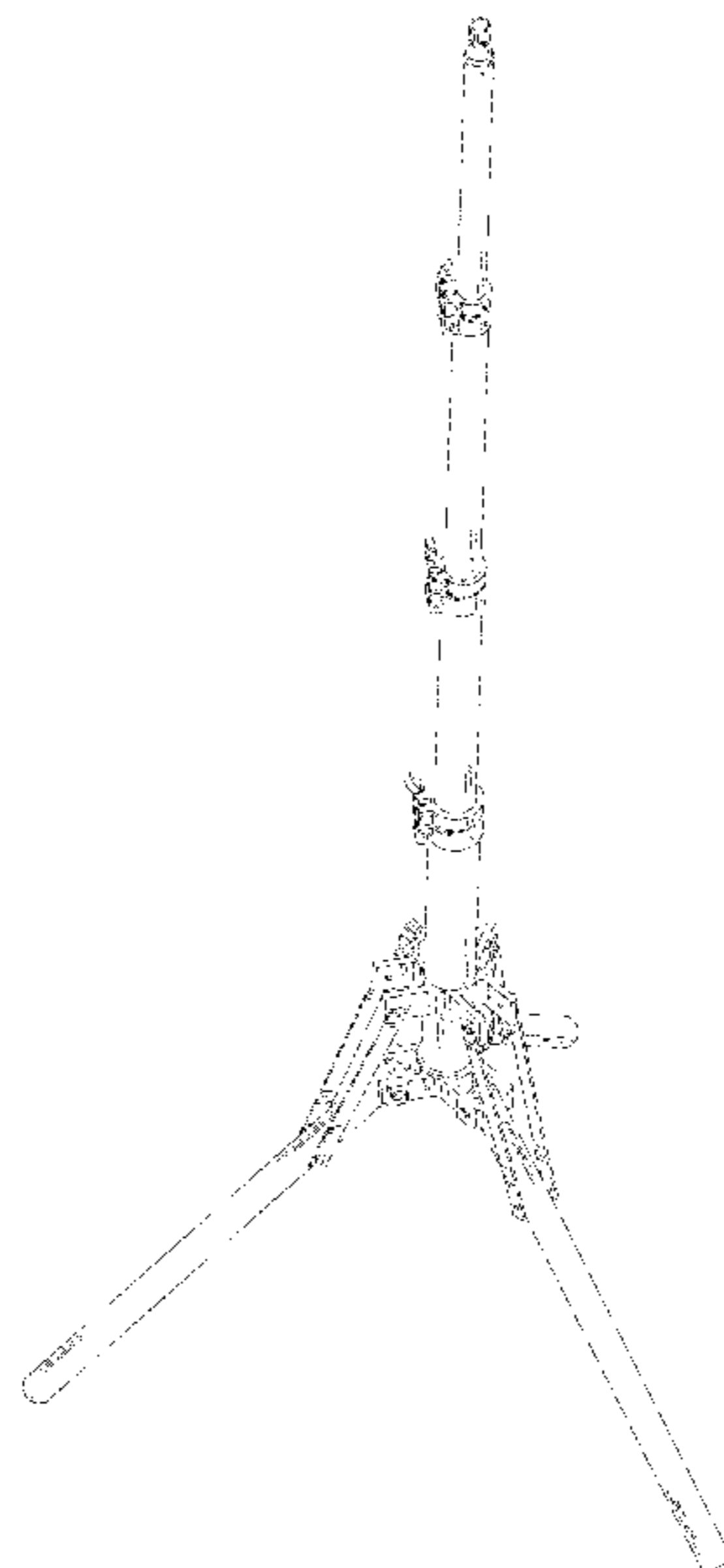
(57) **CLAIM**

The ornamental design for a tripod for cameras, as shown and described.

**DESCRIPTION**

FIG. 1 is a perspective view of a tripod for cameras showing my new design;  
FIG. 2 is a front elevational view thereof;  
FIG. 3 is a rear elevational view thereof;  
FIG. 4 is a left side elevational view thereof;  
FIG. 5 is a right side elevational view thereof;  
FIG. 6 is a top plan view thereof;  
FIG. 7 is a bottom plan view thereof; and,  
FIG. 8 is another perspective view thereof.

**1 Claim, 8 Drawing Sheets**



(56)

## References Cited

## FOREIGN PATENT DOCUMENTS

CN	306303470	*	1/2021
CN	306443095	*	4/2021
CN	306881731	*	10/2021
CN	306942903	*	11/2021
EM	008007165-0001	*	6/2020
EM	008317093-0001	*	12/2020
EM	008489199-0001	*	4/2021
GB	9004392991-0001	*	10/2017
GB	9008007165-0001	*	6/2020

## OTHER PUBLICATIONS

Davis & Sanford Airlift Tripod Legs—Supports 50.00 lb, product available date unknown [online], no video/pictured review available [online], [site visited Apr. 1, 2022]:URL:<[https://www.bhphotovideo.com/c/product/169193-REG/Davis\\_Sanford\\_AIRLIFT\\_Airlift\\_Tripod\\_Legs.html](https://www.bhphotovideo.com/c/product/169193-REG/Davis_Sanford_AIRLIFT_Airlift_Tripod_Legs.html)> (Year: 2022).\*

Auray SS-25S Compact Height-Adjustable Steel Speaker Stand with Tripod Base, product available date unknown [online], no video/pictured review available [online], [site visited Apr. 1, 2022]:URL:<[https://www.bhphotovideo.com/c/product/1541167-REG/auray\\_ss\\_25s\\_small\\_profile\\_steel\\_speaker.html](https://www.bhphotovideo.com/c/product/1541167-REG/auray_ss_25s_small_profile_steel_speaker.html)> (Year: 2022).\*

Musician's Gear Heavy-Duty Tripod Speaker Stand Black, product available date unknown [online], no video/pictured review available [online], [site visited Apr. 1, 2022]:URL:<<https://www.guitarcenter.com/Musicians-Gear/Heavy-Duty-Tripod-Speaker-Stand.gc>> (Year: 2022).\*

Akustik Universal Speaker Stand, product available date unknown [online], no video/pictured review available [online], [site visited Apr. 1, 2022]:URL:<[https://tightplatf.com/index.php?main\\_page=product\\_info&products\\_id=680281](https://tightplatf.com/index.php?main_page=product_info&products_id=680281)> (Year: 2022).\*

Telescoping Laser Pole with Tripod and Mount, product available date unknown [online], pictured review Dec. 2, 2019 [online], [site visited Apr. 1, 2022]:URL:<<https://www.homedepot.com/p/Adir-Pro-Telescoping-Laser-Pole-with-Tripod-and-Mount-ADI790-77/300682496>> (Year: 2019).\*

Annie Mannequin Tripod with Stable Plate 5466, product available date unknown [online], no video/pictured review available [online], [site visited Apr. 1, 2022]:URL:<[https://www.houseofbeautyworld.com/anmatrwistpl.html#jmui=f%3A1596%3A305791768%3AbT2kP%2BV\\*p1F-EMG%40EL-r9nHV](https://www.houseofbeautyworld.com/anmatrwistpl.html#jmui=f%3A1596%3A305791768%3AbT2kP%2BV*p1F-EMG%40EL-r9nHV)> (Year: 2022).\*

NBOX Lightweight & Portable 7 Feet (84 Inch) Long Tripod Stand, product available date unknown [online], no video/pictured review available [online], [site visited Apr. 1, 2022]:URL:<<https://www.snapdeal.com/product/nbox-lightweight-portable-portable-7/638549398183#bcrumbLabelId:3289>> (Year: 2022).\*

Dinglot Good quality 2.1m tripod stand, product available date unknown [online], pictured review Jul. 1, 2021 [online], [site visited Apr. 1, 2022]: URL:<<https://www.flipkart.com/dinglot-good-quality-2-1m-tripod-stand-6-9ft-flexibility-foldeble-lightweight-portable-aluminium-ball-head-video-dslr-cameras-bracket-kit/p/itmbee18d44bf186>> (Year: 2021).\*

Up to 82 Inch Extendable Tripod with Mobile Phone Clip Mount, Camera Tripod, product available May 9, 2018 [online], pictured review Dec. 20, 2018 [online], [site visited Apr. 1, 2022]:URL:<[https://www.amazon.com/extendable-compatible-Digital-Cameras-Silvery/dp/B07JQC8C84/ref=asc\\_df\\_B07JQC8C84](https://www.amazon.com/extendable-compatible-Digital-Cameras-Silvery/dp/B07JQC8C84/ref=asc_df_B07JQC8C84)> (Year: 2018).\*

Fosoto FT-195 Led Light Tripod Stand with ¼ Screw carry Bag For Photo Studio Photographic Lighting Flash Umbrellas Reflector, product available date unknown [online], no video/pictured review available [online], [site visited Apr. 6, 2022]: URL:<<https://www.fosoto.com/light-stand/fosoto-ft-195-led-light-tripod-stand-with-1-4-screw-carry-bag-for-photo-studio-photographic-lighting-flash-umbrellas-reflector.html>> (Year: 2022).\*

\* cited by examiner

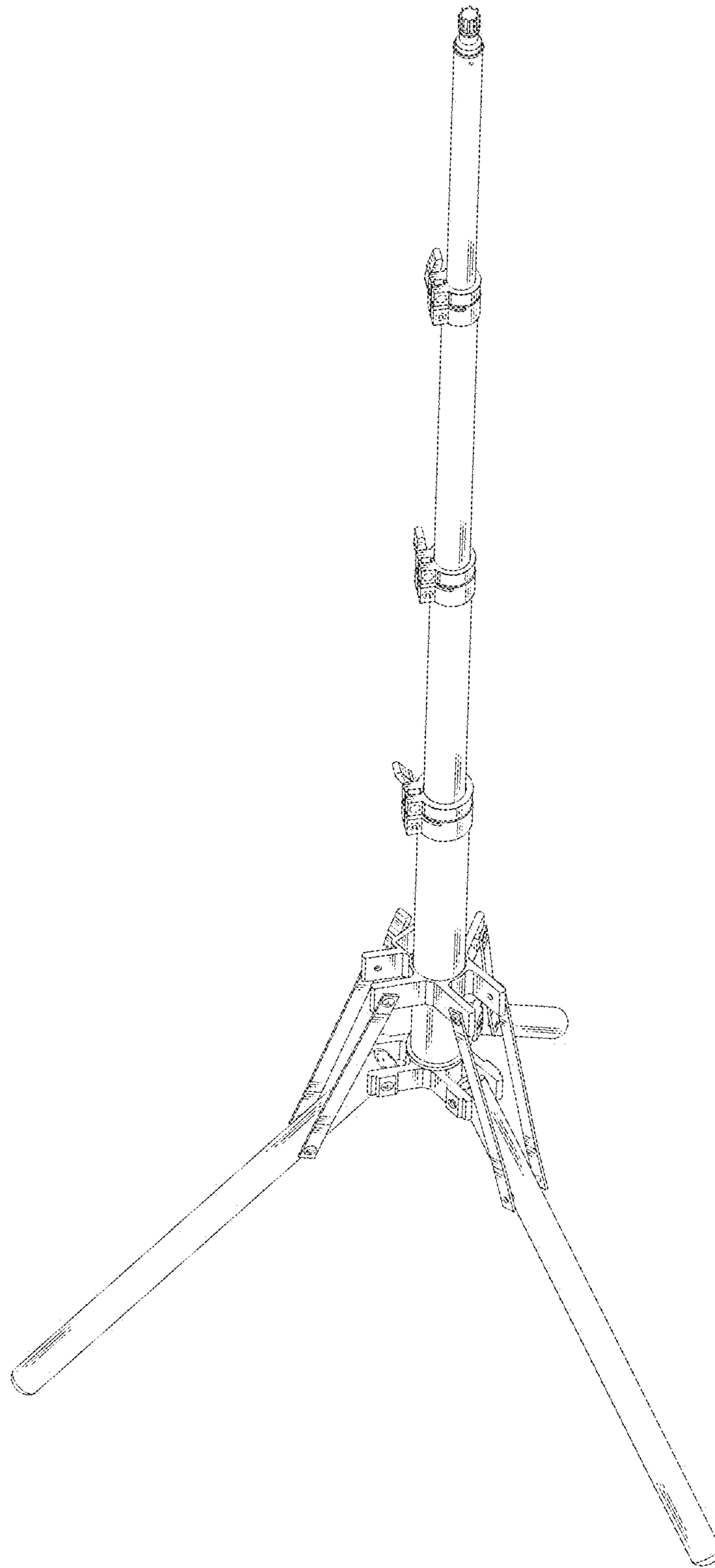


FIG.1

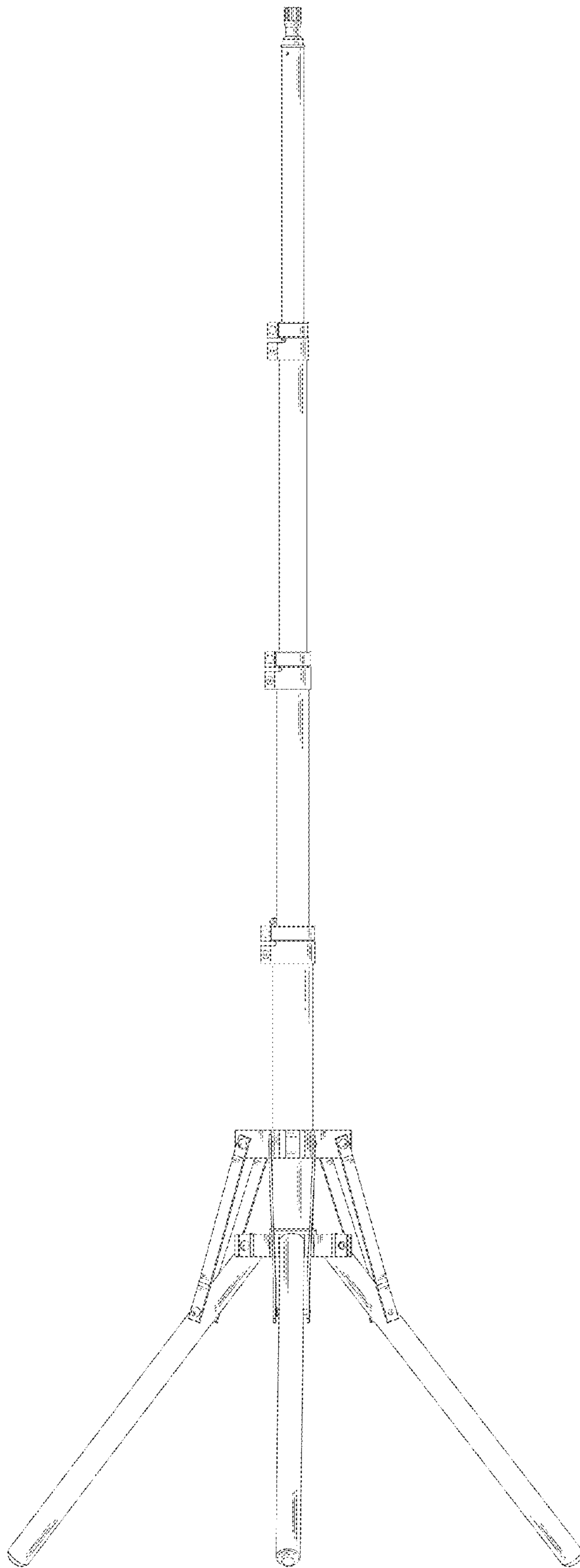


FIG.2

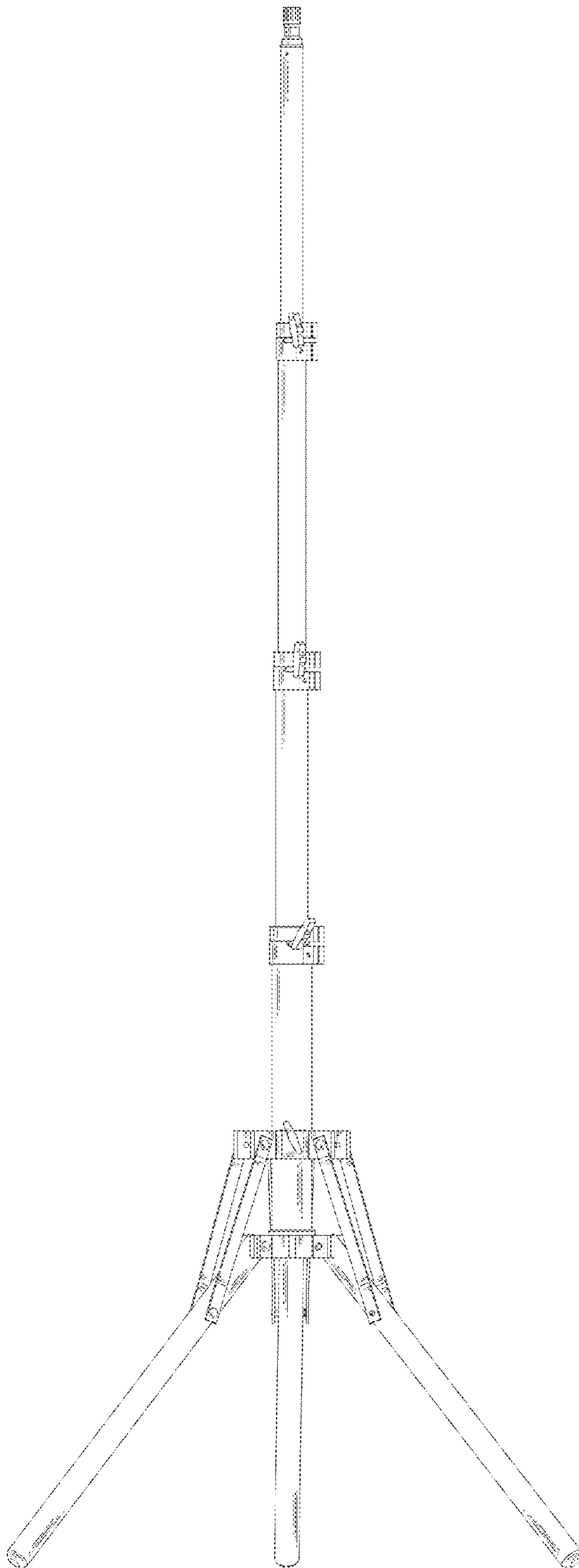


FIG.3

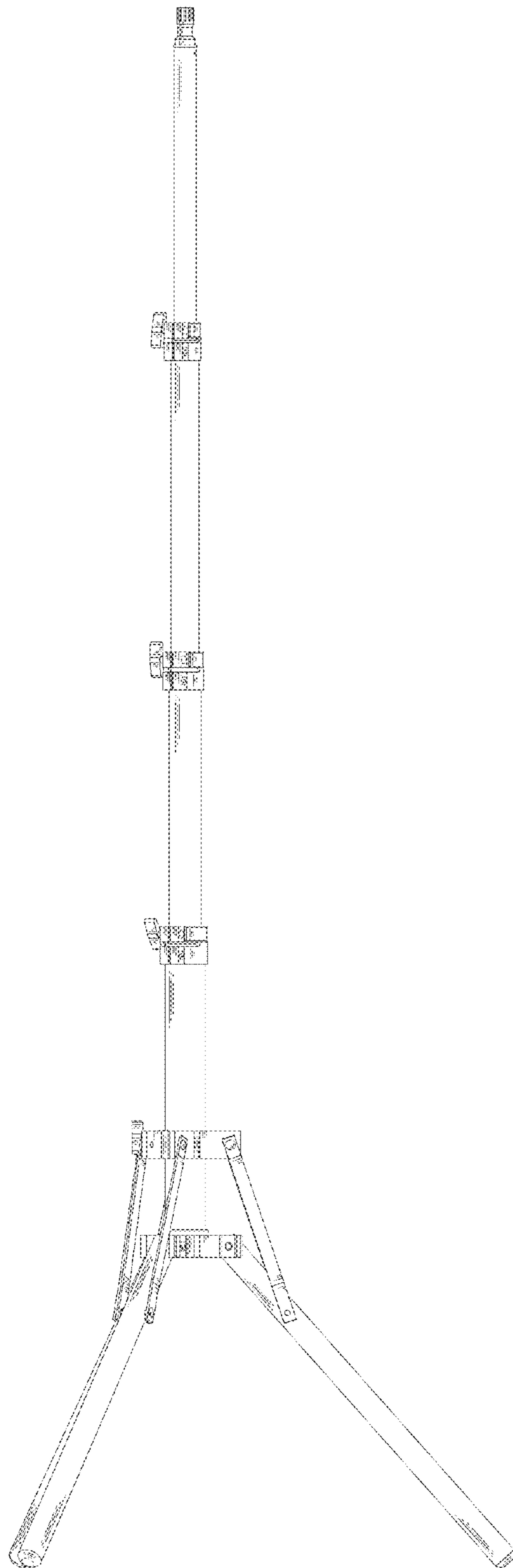


FIG.4

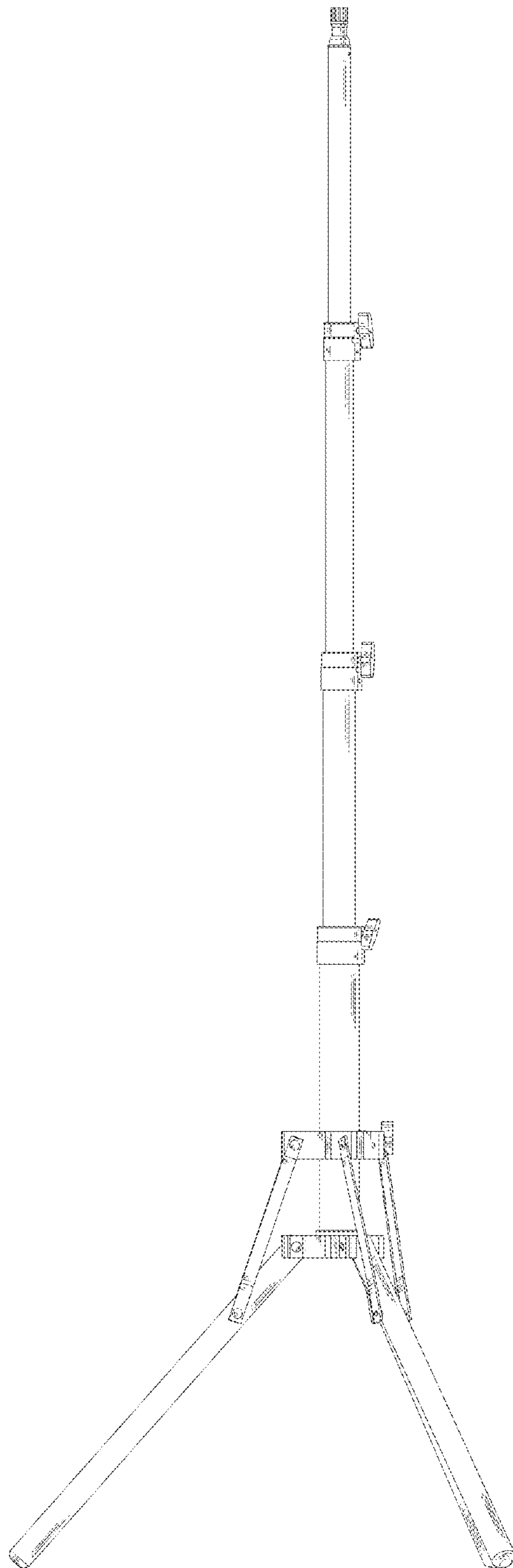


FIG.5

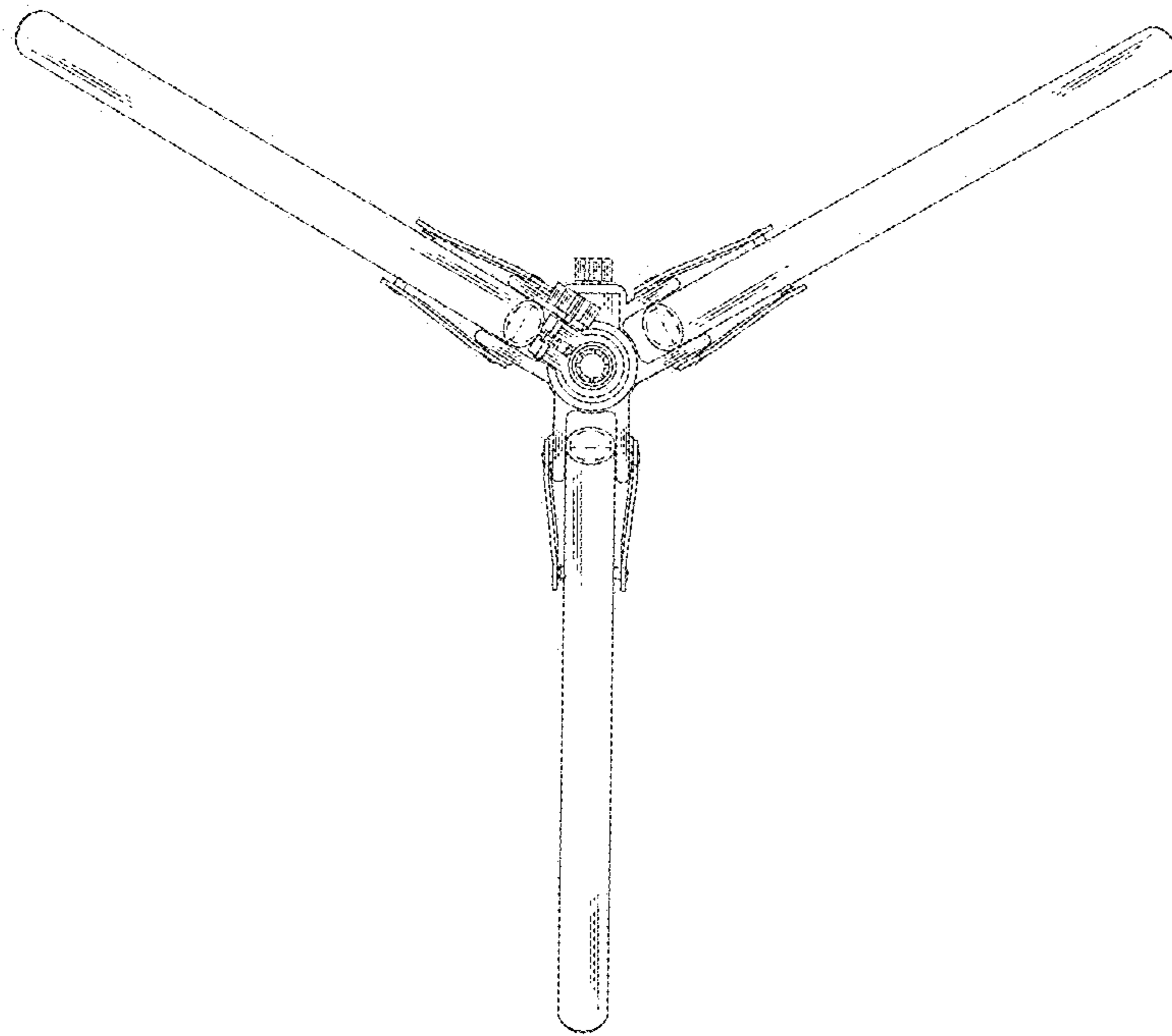


FIG.6



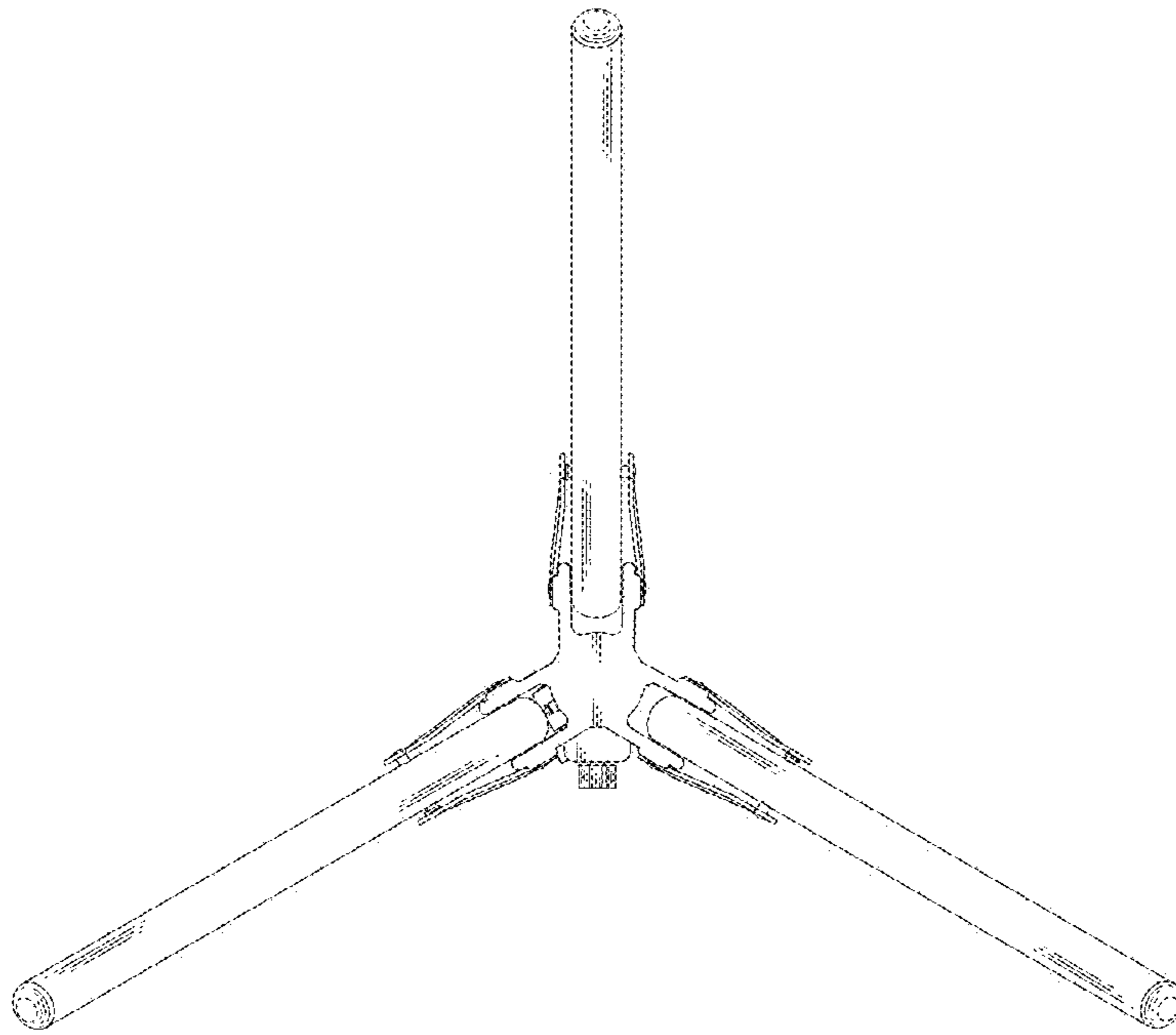


FIG.7

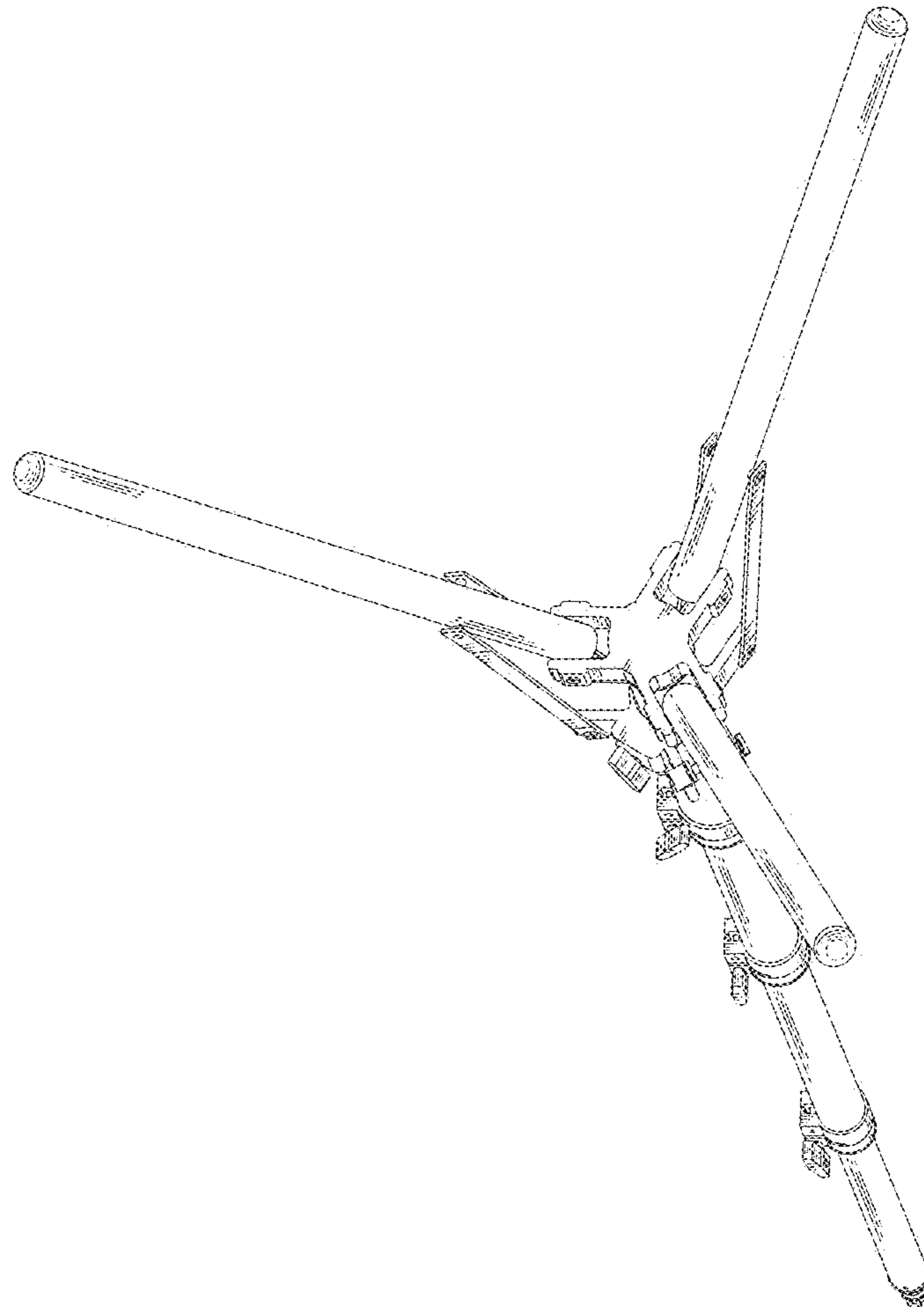


FIG.8