

US00D971992S

(12) **United States Design Patent**
Liu et al.

(10) **Patent No.:** **US D971,992 S**

(45) **Date of Patent:** **** Dec. 6, 2022**

(54) **MINI PROJECTOR**

(71) Applicants: **Deli Liu**, Shenzhen (CN); **Xionghui Chen**, Shenzhen (CN)

(72) Inventors: **Deli Liu**, Shenzhen (CN); **Xionghui Chen**, Shenzhen (CN)

(**) Term: **15 Years**

(21) Appl. No.: **29/808,675**

(22) Filed: **Sep. 22, 2021**

(51) **LOC (13) Cl.** **16-02**

(52) **U.S. Cl.**
USPC **D16/225**

(58) **Field of Classification Search**
USPC D16/221, 225, 230–231, 234; D21/514
CPC G03B 21/16; G03B 21/00; G03B 21/001;
G03B 21/003; G03B 21/14; G03B 21/145
See application file for complete search history.

(56) **References Cited**

U.S. PATENT DOCUMENTS

D202,829 S * 11/1965 Paull D16/221
D211,211 S * 5/1968 Steinbach D16/234

D315,529 S * 3/1991 Sherer D16/225
D755,275 S * 5/2016 Lee D16/230
D755,276 S * 5/2016 Lee D16/230
D769,958 S * 10/2016 Seo D16/230
D895,714 S 9/2020 Long

* cited by examiner

Primary Examiner — Wan Laymon

(74) *Attorney, Agent, or Firm* — Che-Yang Chen; Law Office of Michael Chen

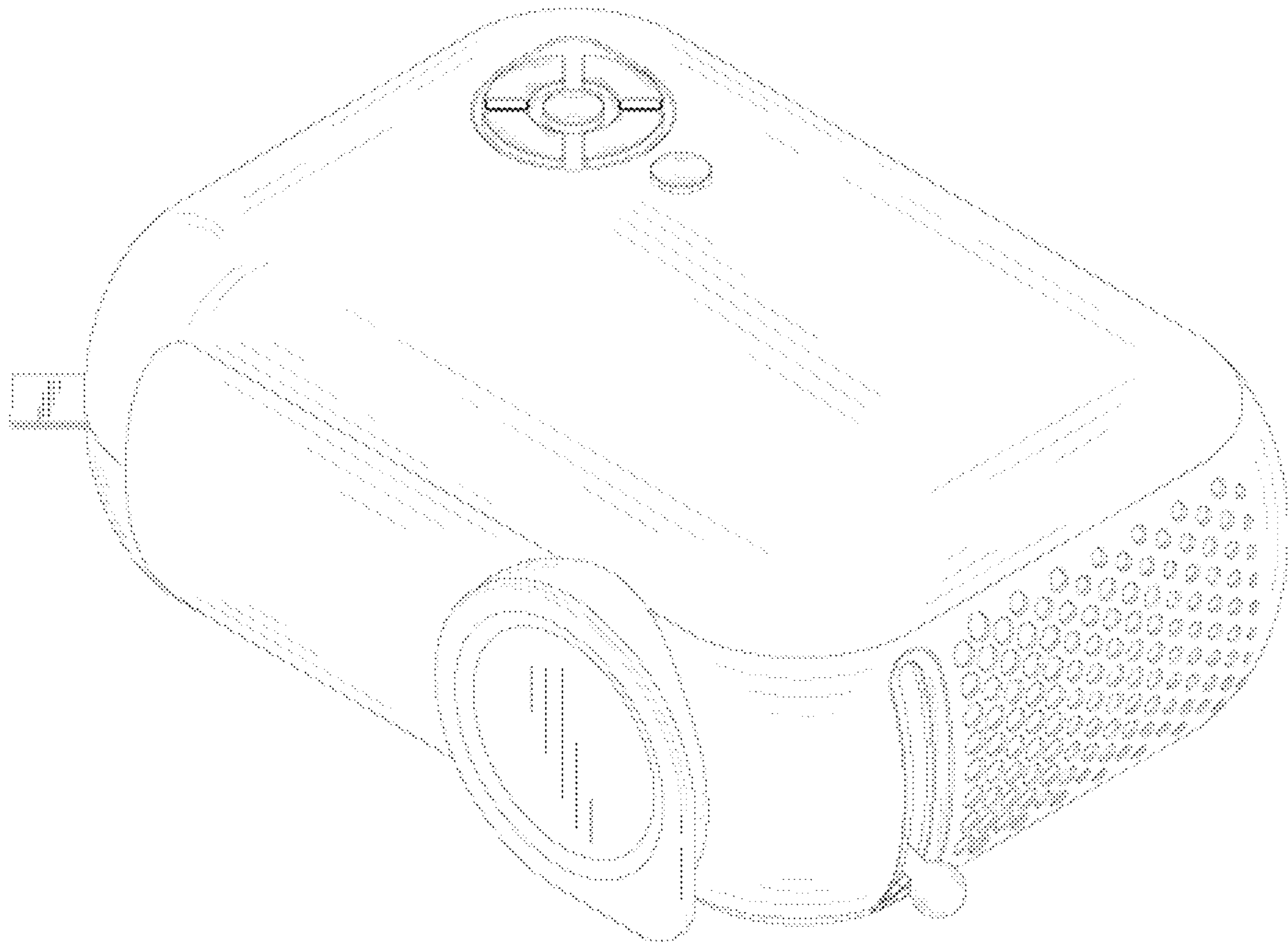
(57) **CLAIM**

The ornamental design for a mini projector, as shown and described.

DESCRIPTION

FIG. 1 is a perspective view of the mini projector showing my new design;
FIG. 2 is a front elevational view thereof;
FIG. 3 is a rear elevational view thereof;
FIG. 4 is a left side elevational view thereof;
FIG. 5 is a right side elevational view thereof;
FIG. 6 is a top plan view thereof; and,
FIG. 7 is a bottom plan view thereof.

1 Claim, 7 Drawing Sheets



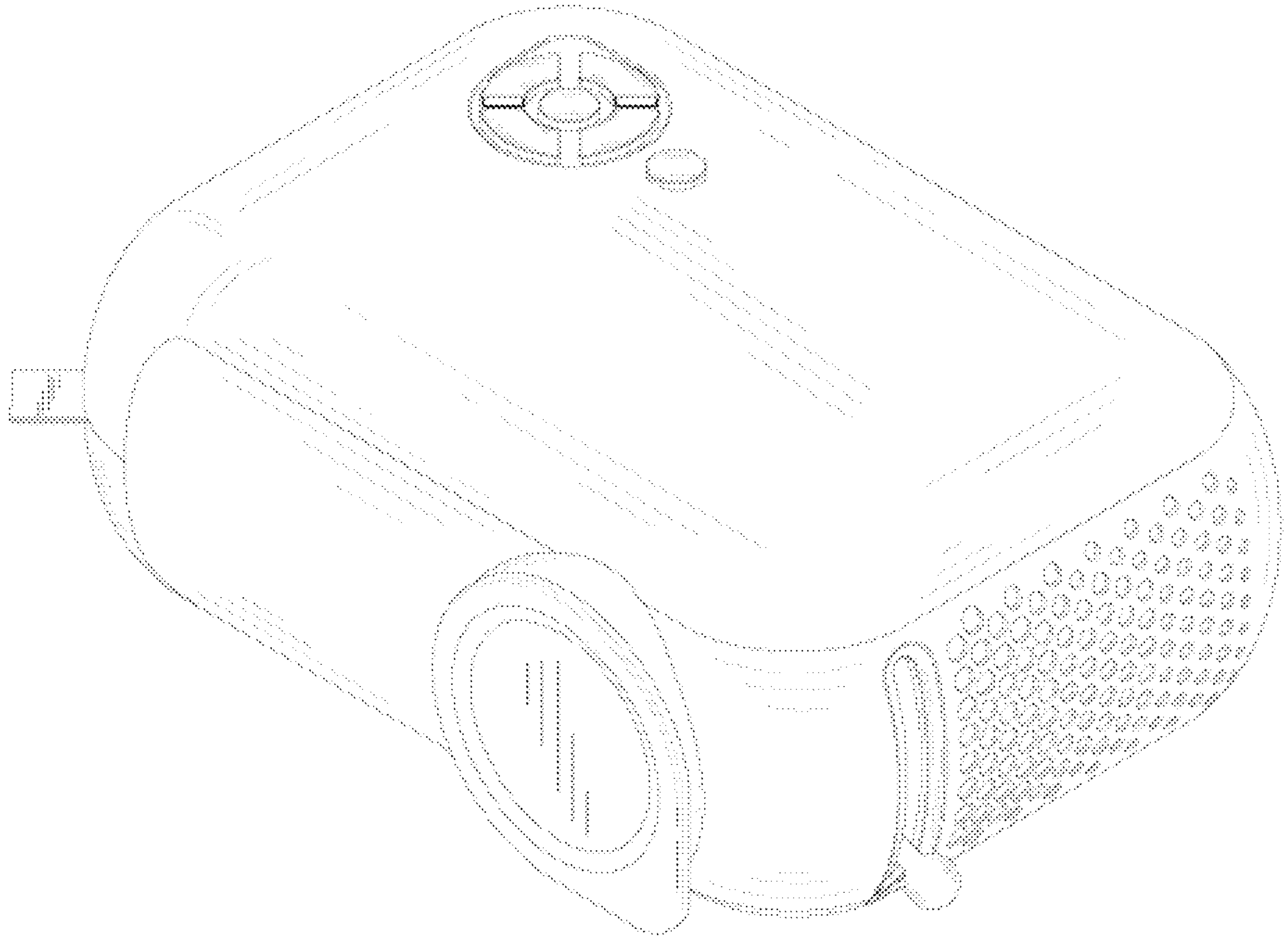


FIG. 1

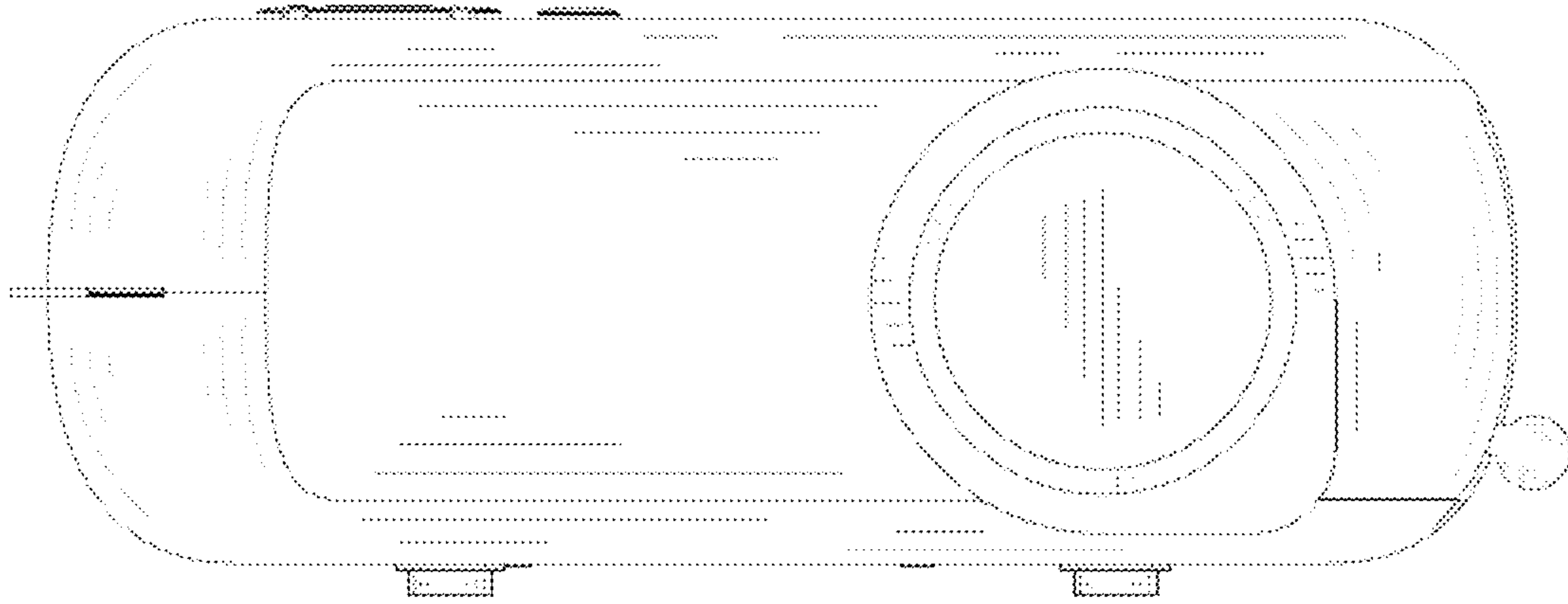


FIG. 2

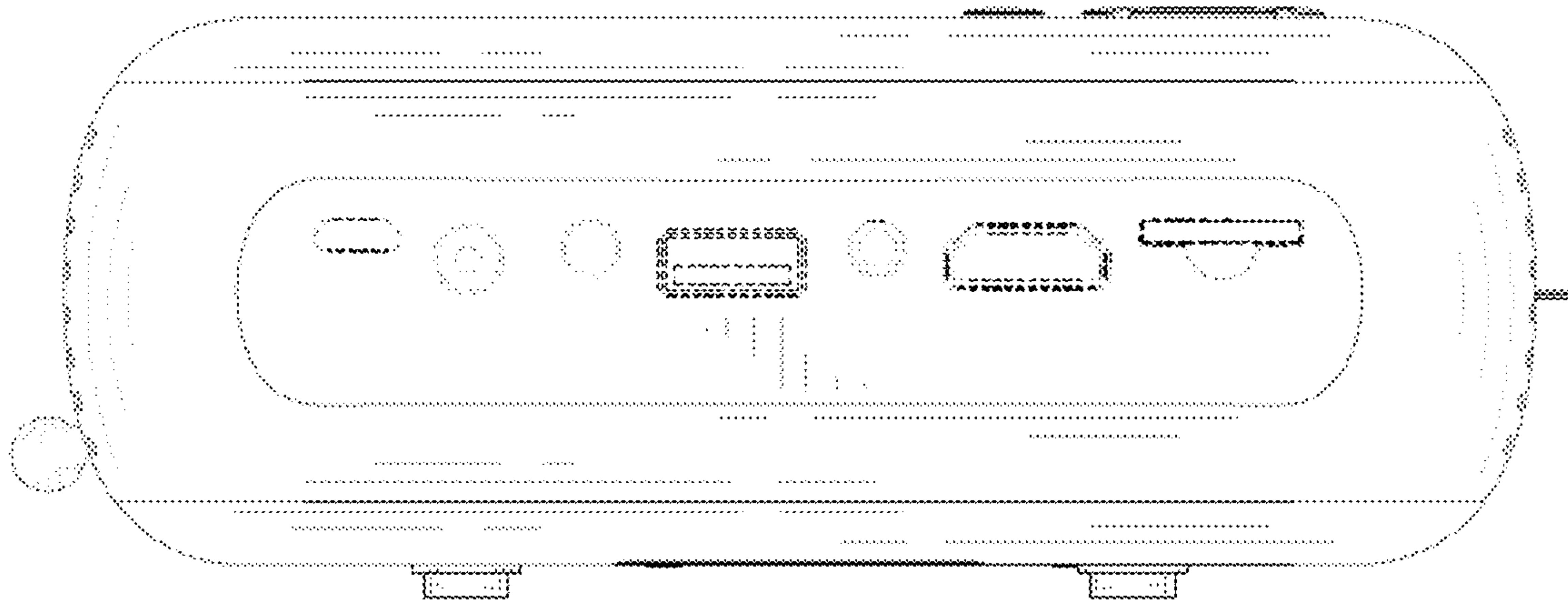


FIG. 3

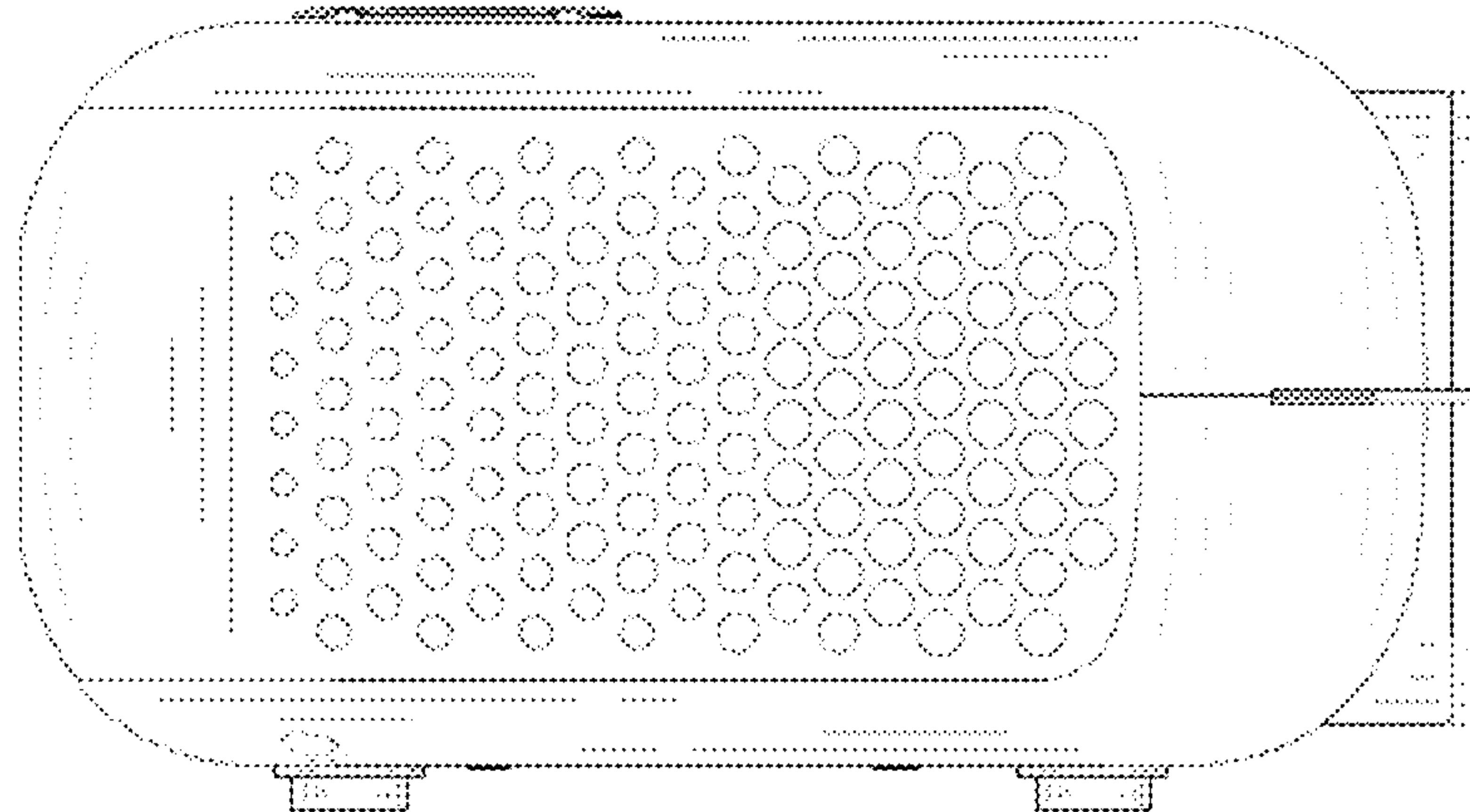


FIG. 4

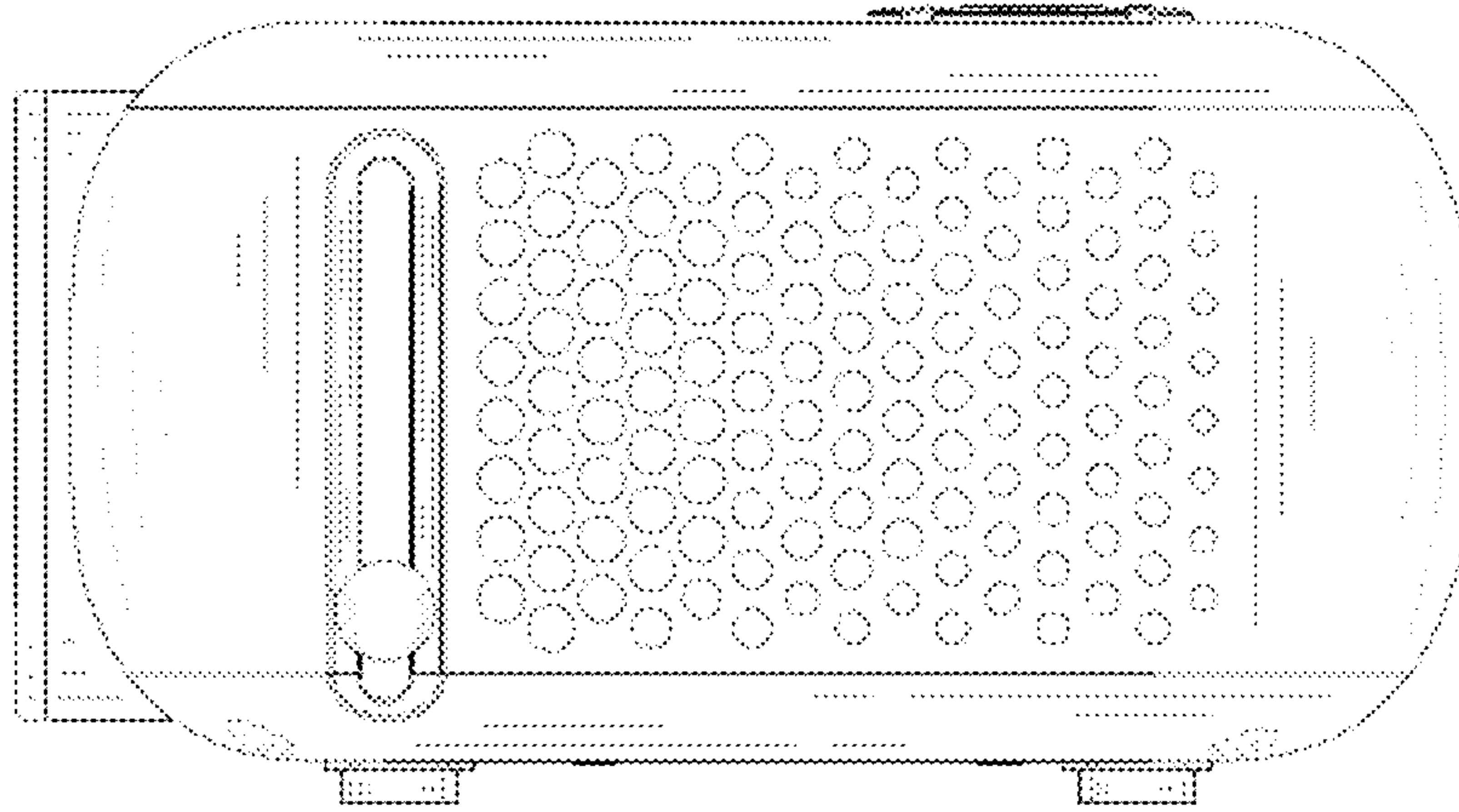


FIG. 5

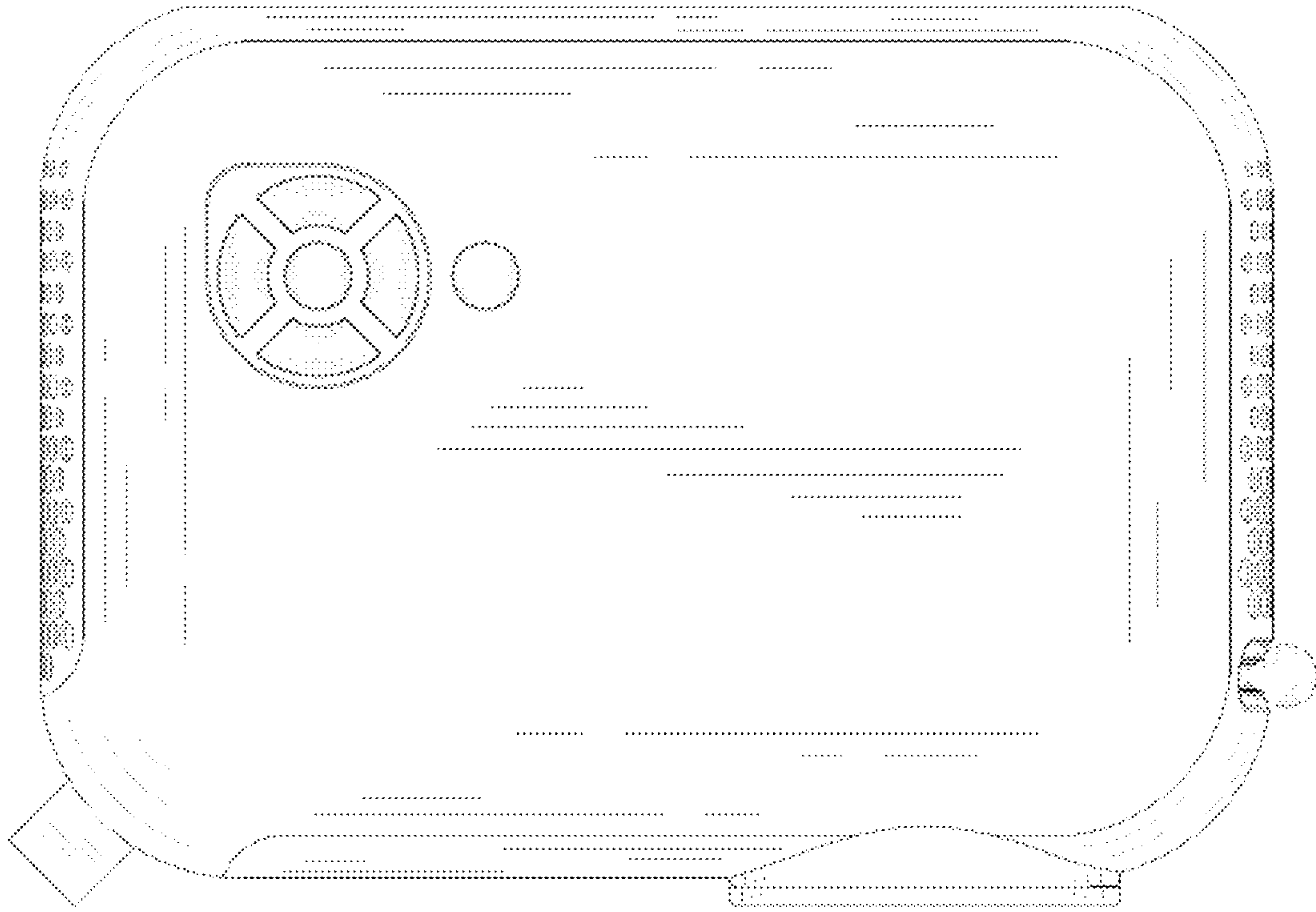


FIG. 6

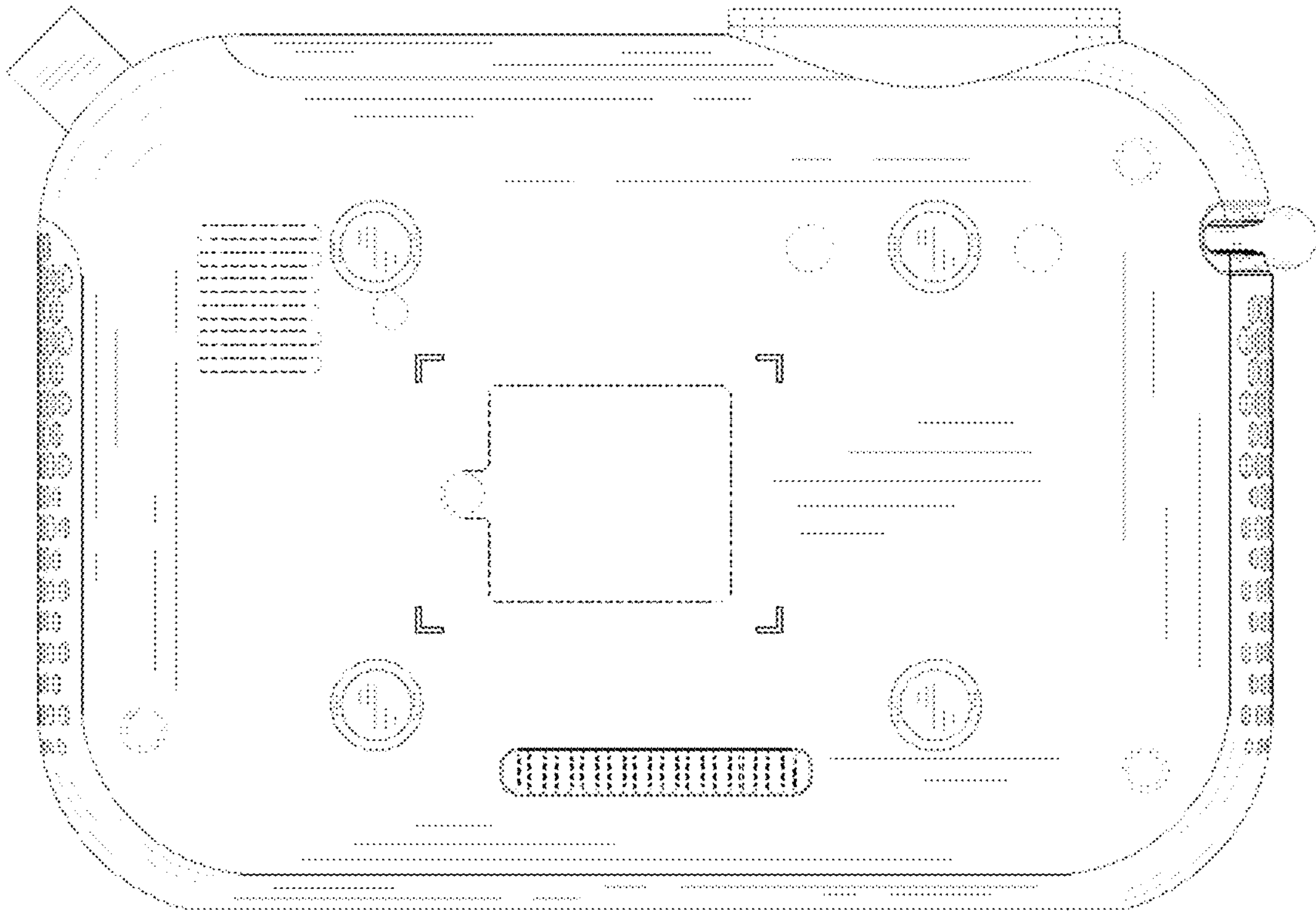


FIG. 7