



US00D971991S

(12) **United States Design Patent**
Imai

(10) **Patent No.:** **US D971,991 S**
(45) **Date of Patent:** **** Dec. 6, 2022**

(54) **DIGITAL CAMERA**

(71) Applicant: **FUJIFILM Corporation**, Tokyo (JP)

(72) Inventor: **Masazumi Imai**, Saitama (JP)

(73) Assignee: **FUJIFILM Corporation**, Tokyo (JP)

(**) Term: **15 Years**

(21) Appl. No.: **29/679,805**

(22) Filed: **Feb. 11, 2019**

(30) **Foreign Application Priority Data**

Aug. 31, 2018 (JP) 2018-019107

(51) **LOC (13) Cl.** **16-05**

(52) **U.S. Cl.**
USPC **D16/219; D16/202**

(58) **Field of Classification Search**

USPC D16/200, 202–206, 208, 209, 218, 219;
348/294, 373–376; 359/826; 396/6, 301,
396/529, 535, 539–541

CPC G03B 15/03; G03B 17/02; G03B 17/04;
G03B 17/08; G03B 17/56; G03B 19/04;
H04N 5/2251; H04N 5/2252; H04N
5/2253; H04N 5/2254; H04N 2101/00

See application file for complete search history.

(56) **References Cited**

U.S. PATENT DOCUMENTS

D427,223 S * 6/2000 Shimamura D16/242
D567,835 S * 4/2008 Sumita D16/202

D581,440 S * 11/2008 Nakamura D16/202
D594,892 S * 6/2009 Kamiya D16/202
D605,679 S * 12/2009 Hayashi D16/206
D609,730 S * 2/2010 Nakamura D16/202
D690,755 S * 10/2013 Nikaido D16/202
D706,849 S * 6/2014 Sakai D16/202
D842,359 S * 3/2019 Imai D16/237
D873,880 S * 1/2020 Imai D16/202
D904,481 S * 12/2020 Imai D16/202
D908,776 S * 1/2021 Imai D16/219
2005/0281554 A1 * 12/2005 Iwasa G03B 17/56
396/539

* cited by examiner

Primary Examiner — Ramzi Almatrahi

(74) *Attorney, Agent, or Firm* — Studebaker & Brackett
PC

(57) **CLAIM**

The ornamental design for a digital camera, as shown and described.

DESCRIPTION

FIG. 1 is a front view of a digital camera, showing the new design;

FIG. 2 is a rear view thereof;

FIG. 3 is a top view thereof;

FIG. 4 is a bottom view thereof;

FIG. 5 is a left side view thereof;

FIG. 6 is a right side view thereof;

FIG. 7 is a top, front, right side perspective view thereof; and,

FIG. 8 is a top, rear, left side perspective view thereof.

The broken lines illustrate portions of the digital camera and form no part of the claimed design.

1 Claim, 8 Drawing Sheets

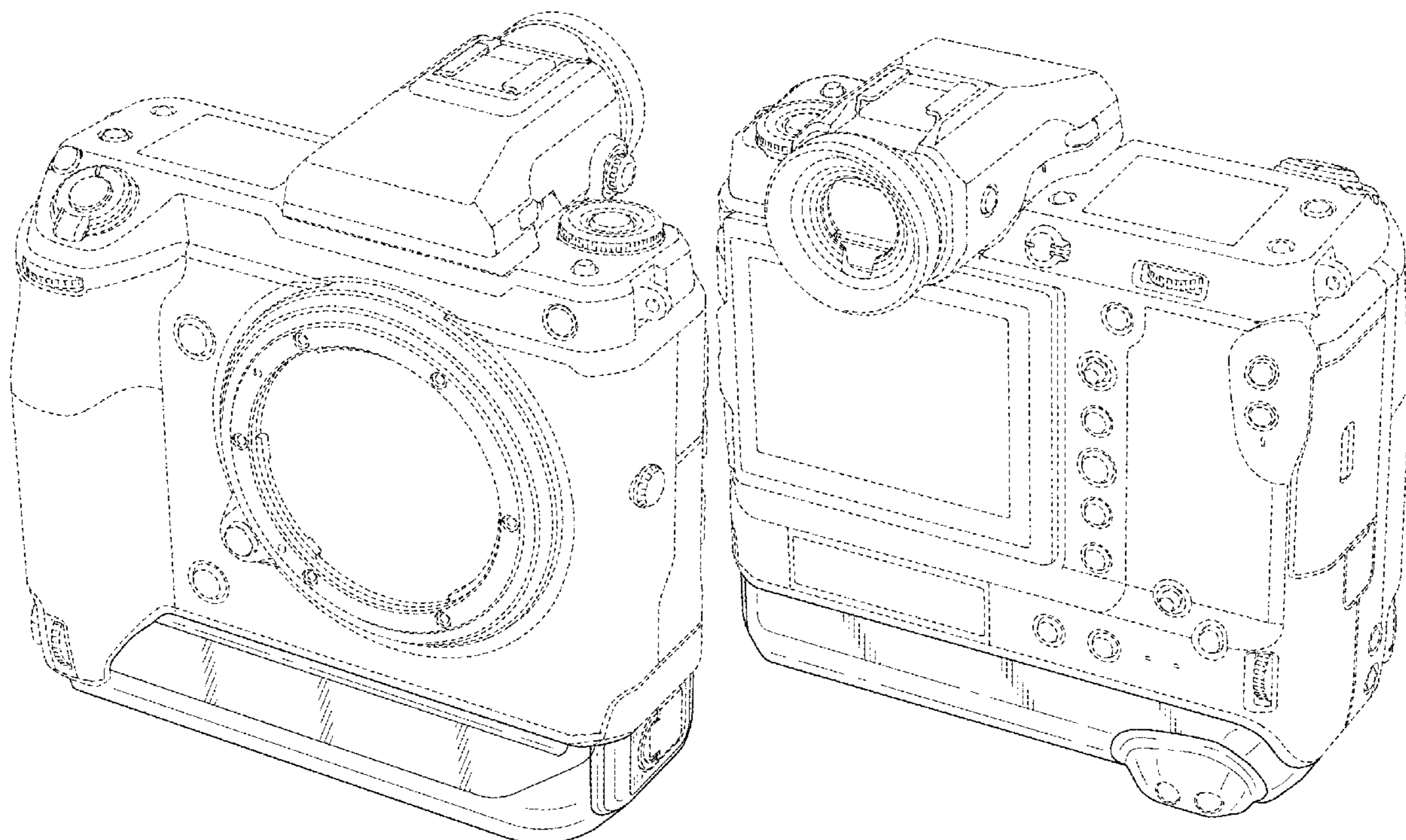


FIG. 1

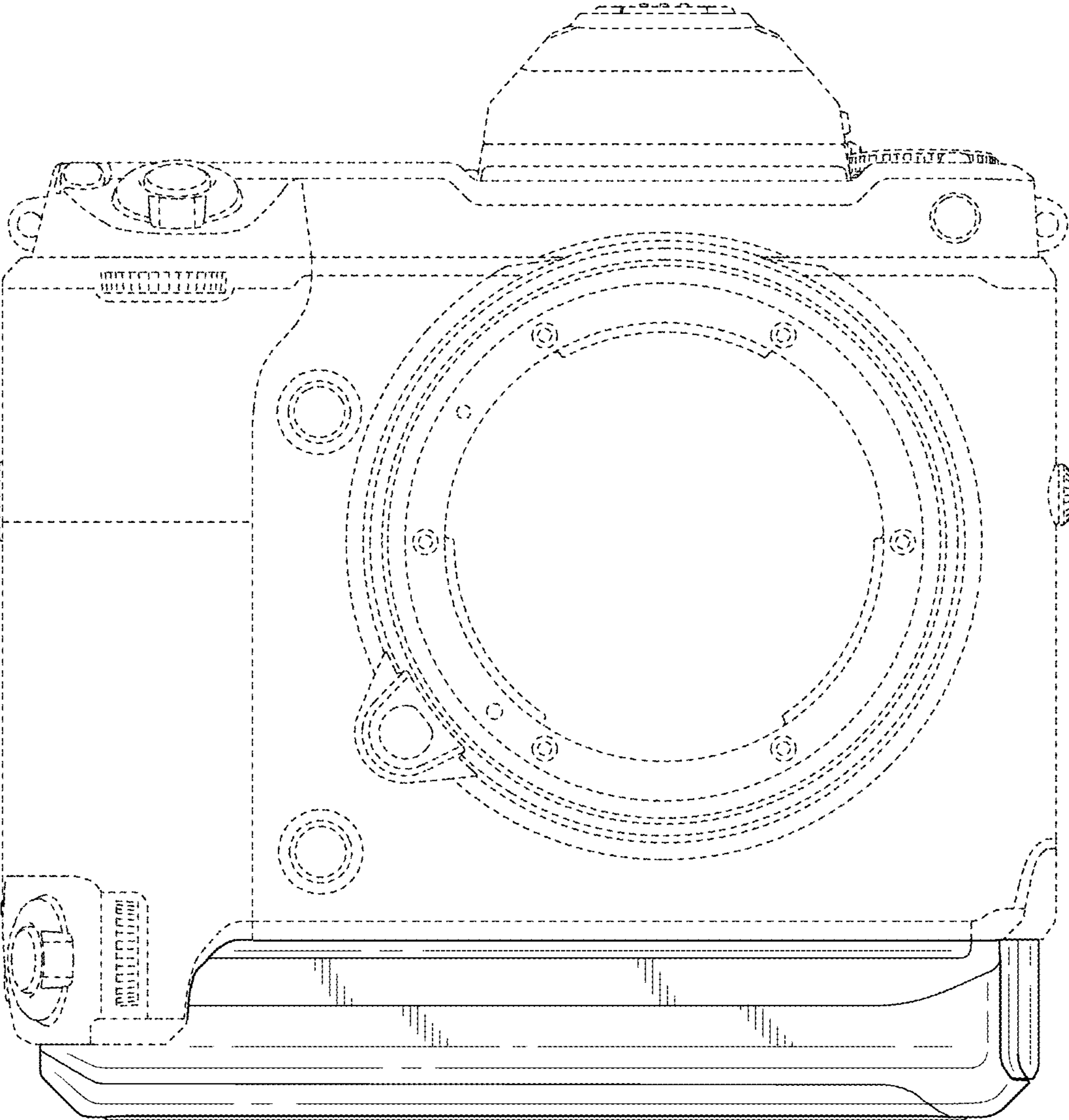


FIG.2

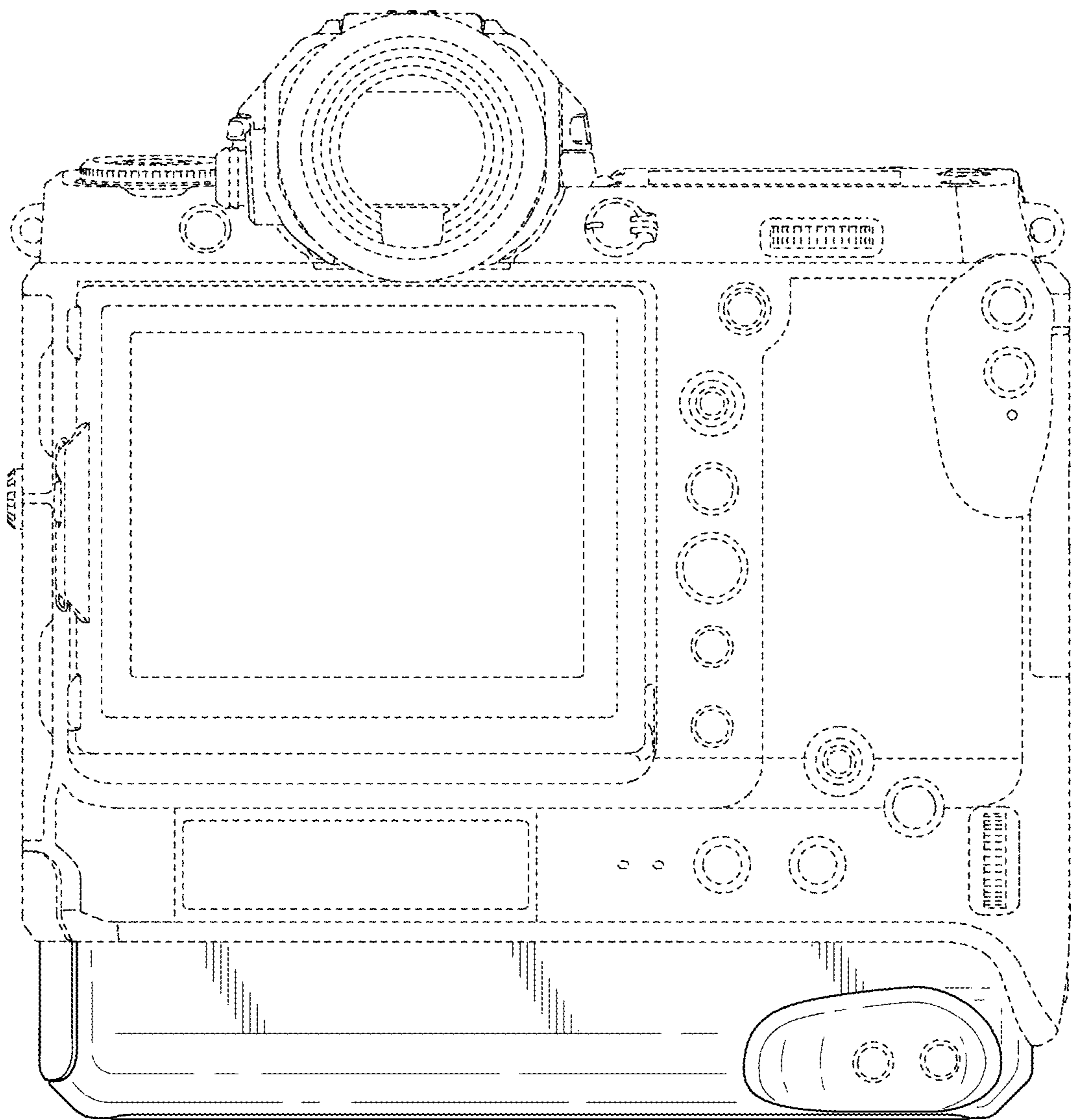


FIG.3

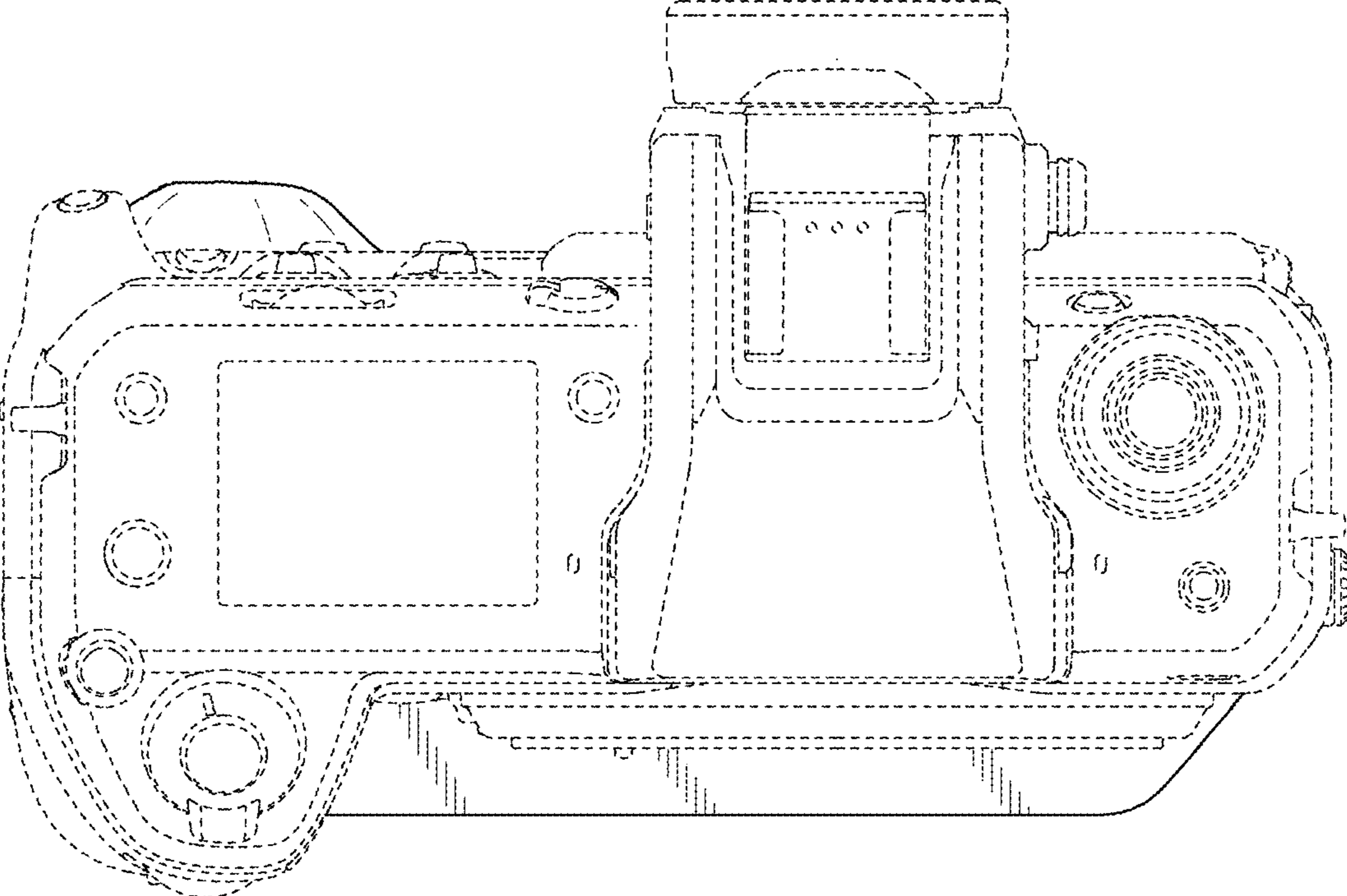


FIG.4

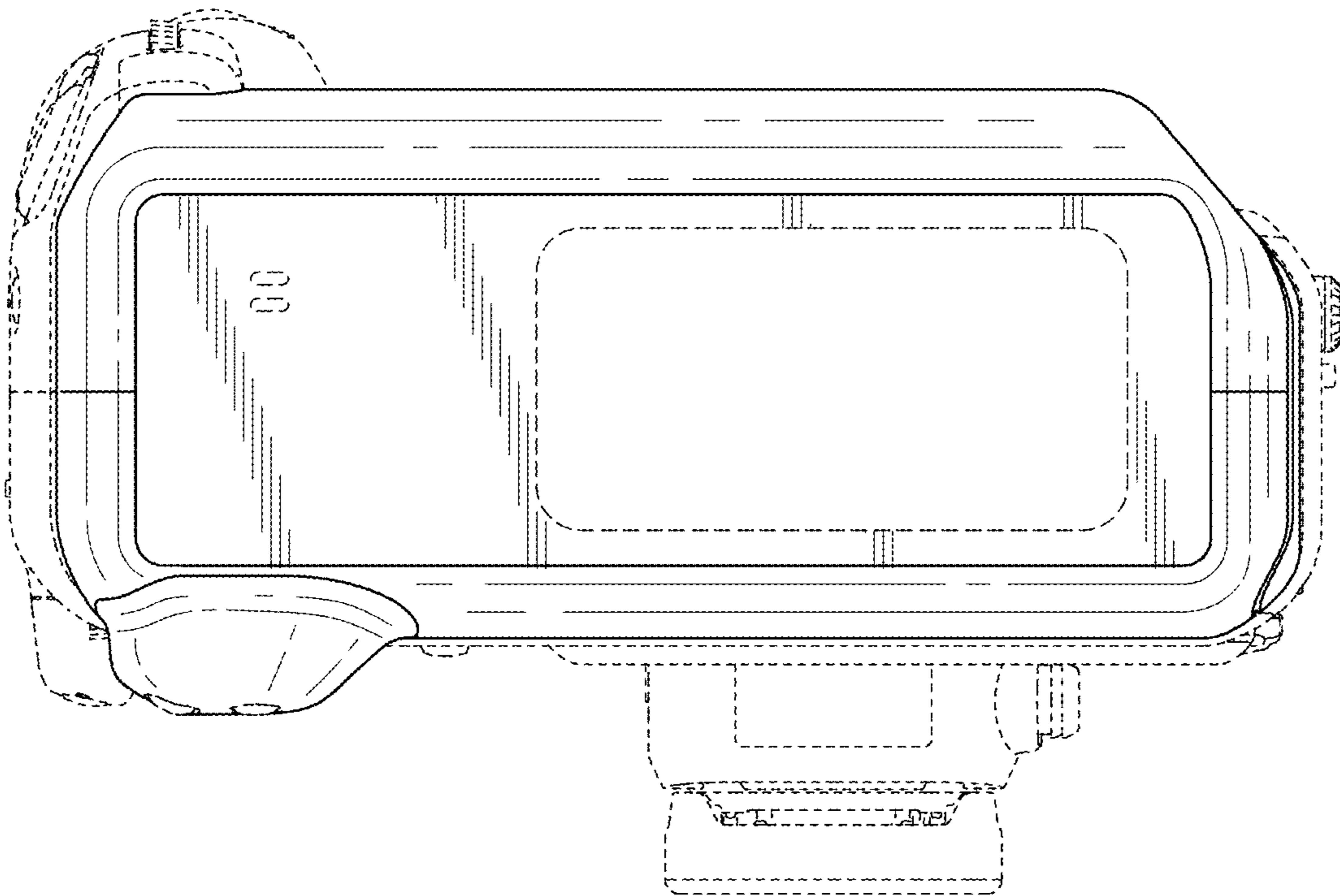


FIG.5

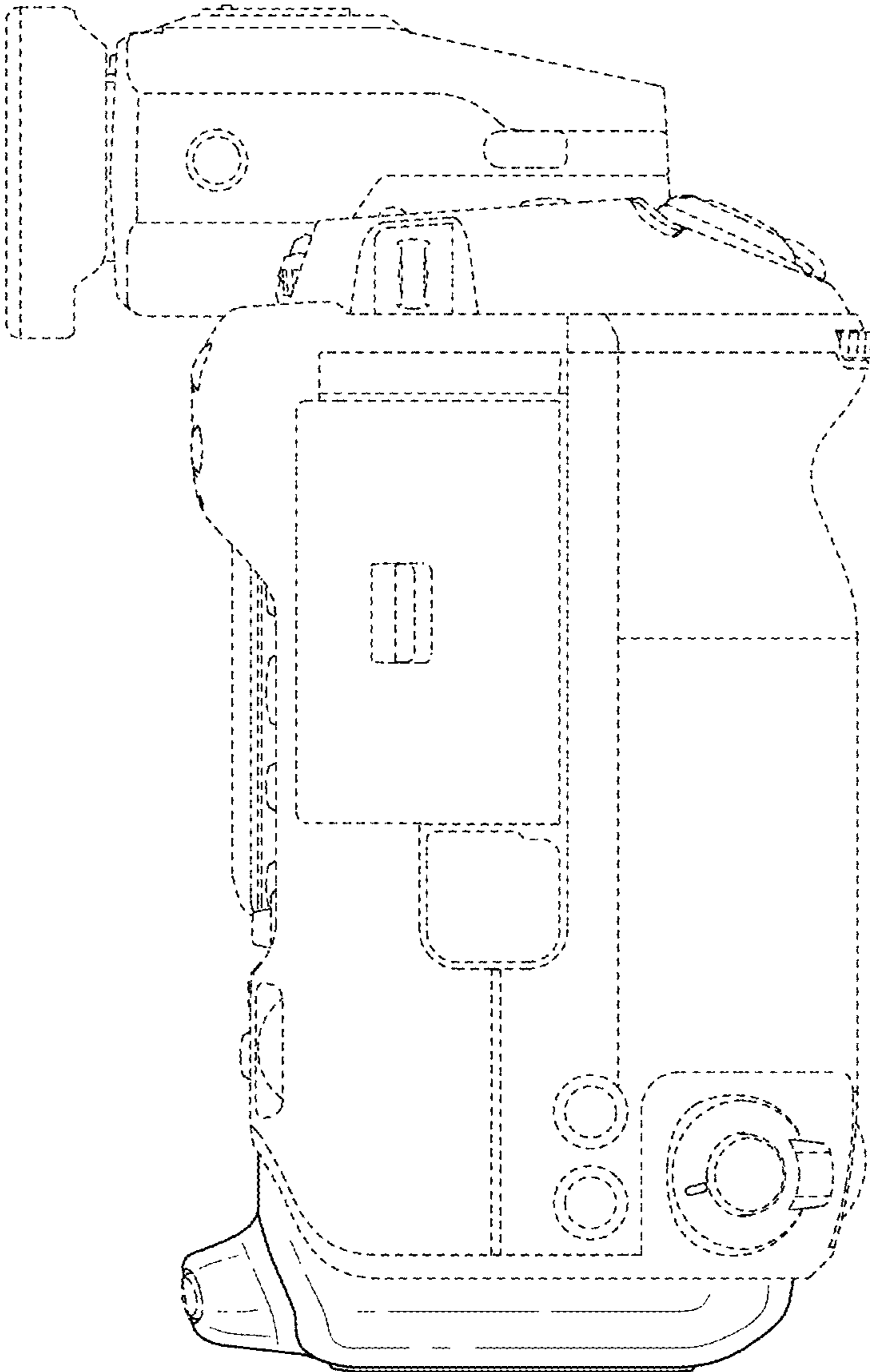


FIG.6

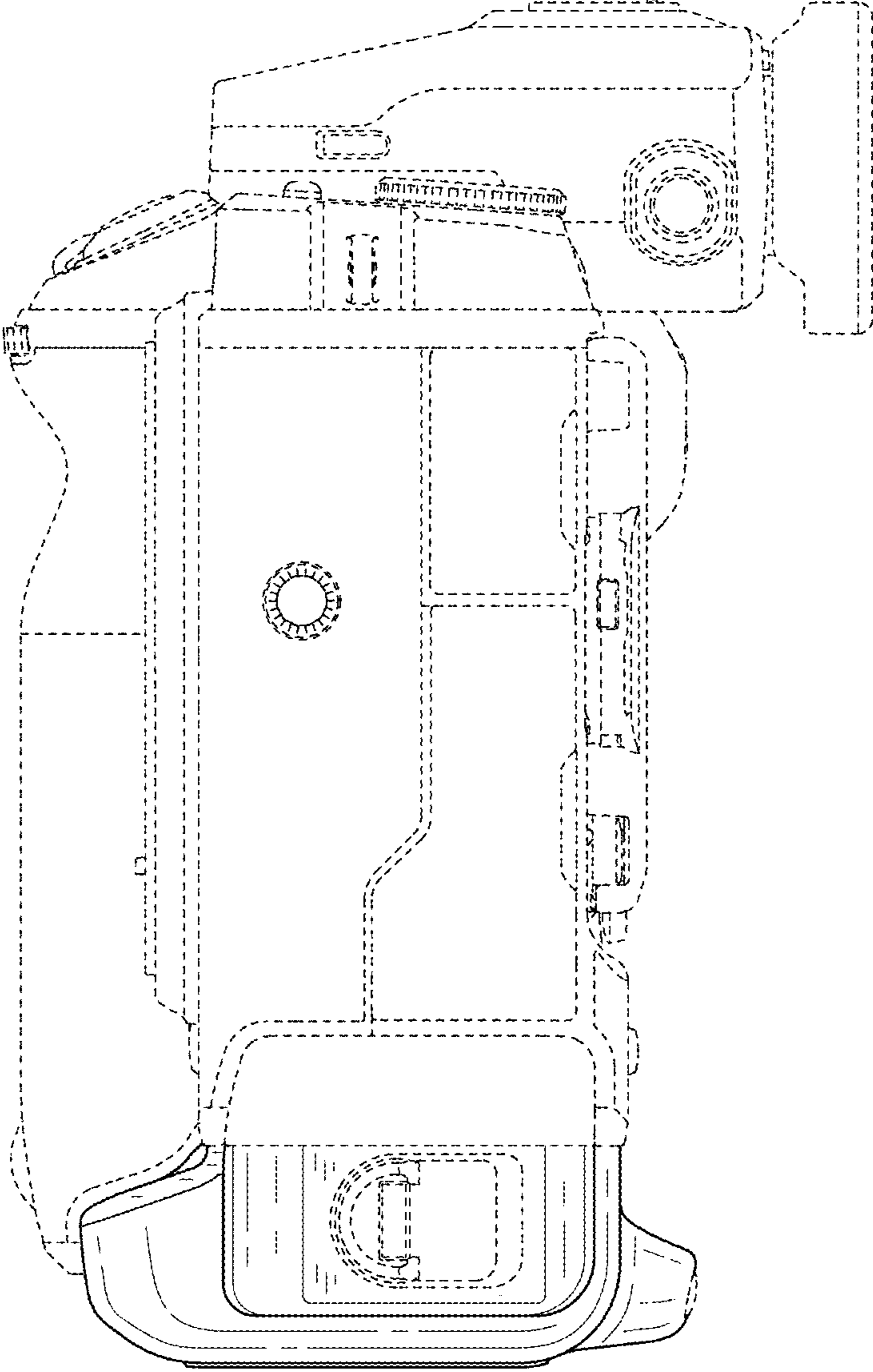


FIG. 7

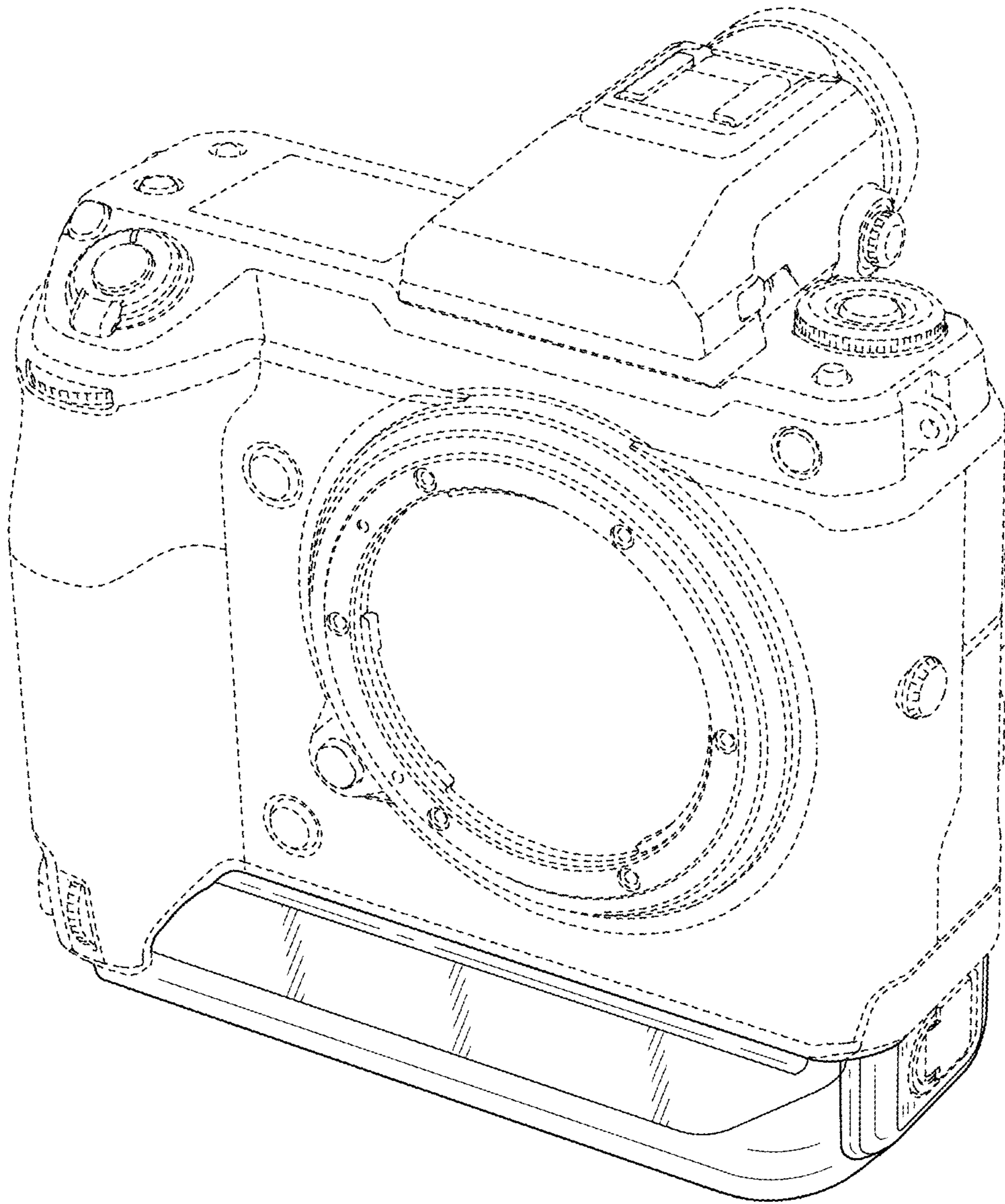


FIG.8

