



US00D971990S

(12) **United States Design Patent** (10) **Patent No.:** **US D971,990 S**
Mu (45) **Date of Patent:** **** Dec. 6, 2022**

(54) **CAMERA**

(71) Applicant: **SHENZHEN AUSEK ELECTRONIC TECHNOLOGY CO., LTD.**, Shenzhen (CN)

(72) Inventor: **Xilong Mu**, Shenzhen (CN)

(**) Term: **15 Years**

(21) Appl. No.: **29/786,367**

(22) Filed: **May 31, 2021**

(51) **LOC (13) Cl.** **16-01**

(52) **U.S. Cl.**
USPC **D16/218**; D16/202

(58) **Field of Classification Search**
USPC D16/200, 202–206, 208–209, 212, 218, D16/219; 348/373–376; 396/448, 535, 396/539–541
CPC G03B 15/03; G03B 17/02; G03B 17/04; G03B 17/56; G03B 19/04; H04N 5/2251; H04N 5/2252; H04N 5/2253; H04N 5/2254; H04N 2101/00

See application file for complete search history.

(56) **References Cited**

U.S. PATENT DOCUMENTS

D838,303 S * 1/2019 Brunner D16/202
D849,083 S * 5/2019 Dwyer, Jr. D16/202
D857,076 S * 8/2019 Gan D16/202
D863,404 S * 10/2019 Karpenko D16/218
D865,835 S * 11/2019 Fidler D16/202

D867,420 S * 11/2019 Zhang D16/202
D888,127 S * 6/2020 Lee D16/202
D892,901 S * 8/2020 Xu D16/218
D893,578 S * 8/2020 Denby D16/218
D894,251 S * 8/2020 Saito D16/202
D910,105 S * 2/2021 Lin D16/202
D934,943 S * 11/2021 Zhao D16/218
D950,620 S * 5/2022 Guan D16/202

* cited by examiner

Primary Examiner — Ramzi Almatrahi

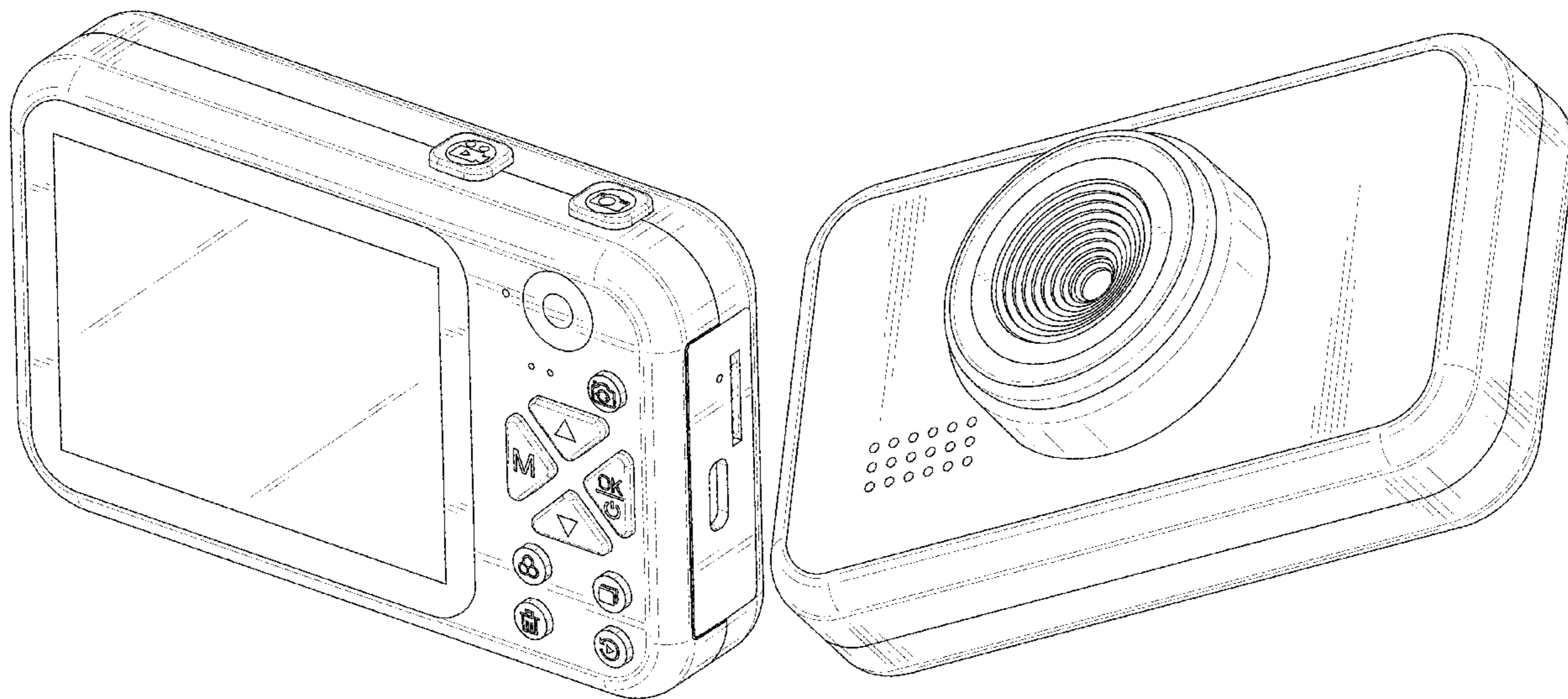
(57) **CLAIM**

The ornamental design for a camera, as shown and described.

DESCRIPTION

FIG. 1 is a top, front and right side perspective view of a camera showing my new design;
FIG. 2 is a bottom, rear and left side perspective view thereof;
FIG. 3 is a front elevational view thereof;
FIG. 4 is a rear elevational view thereof;
FIG. 5 is a left side elevational view thereof;
FIG. 6 is a right side elevational view thereof;
FIG. 7 is a top plan view thereof; and,
FIG. 8 is a bottom plan view thereof.
The broken lines depict portions of the camera that form no part of the claimed design.

1 Claim, 8 Drawing Sheets



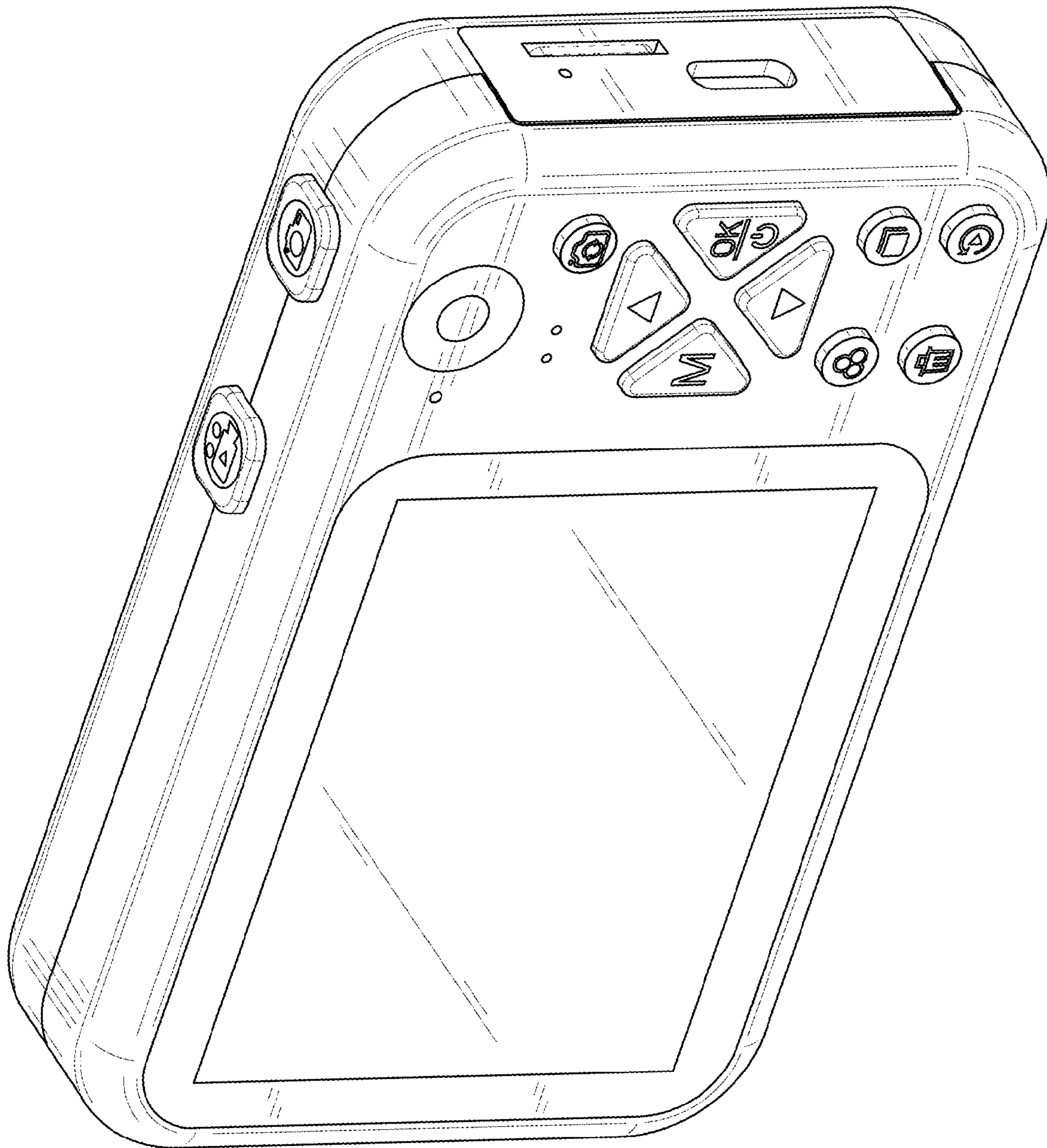


FIG. 1

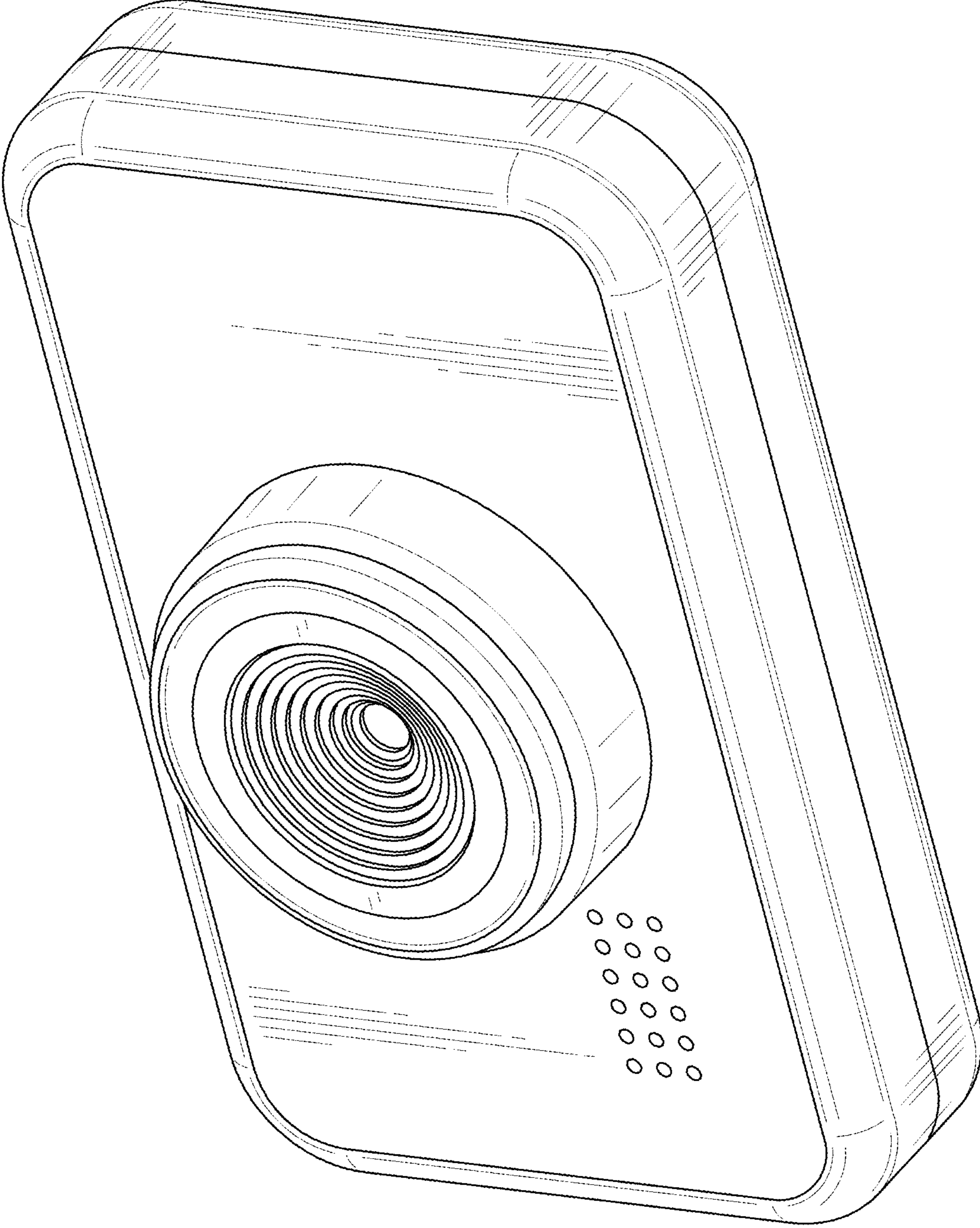


FIG. 2

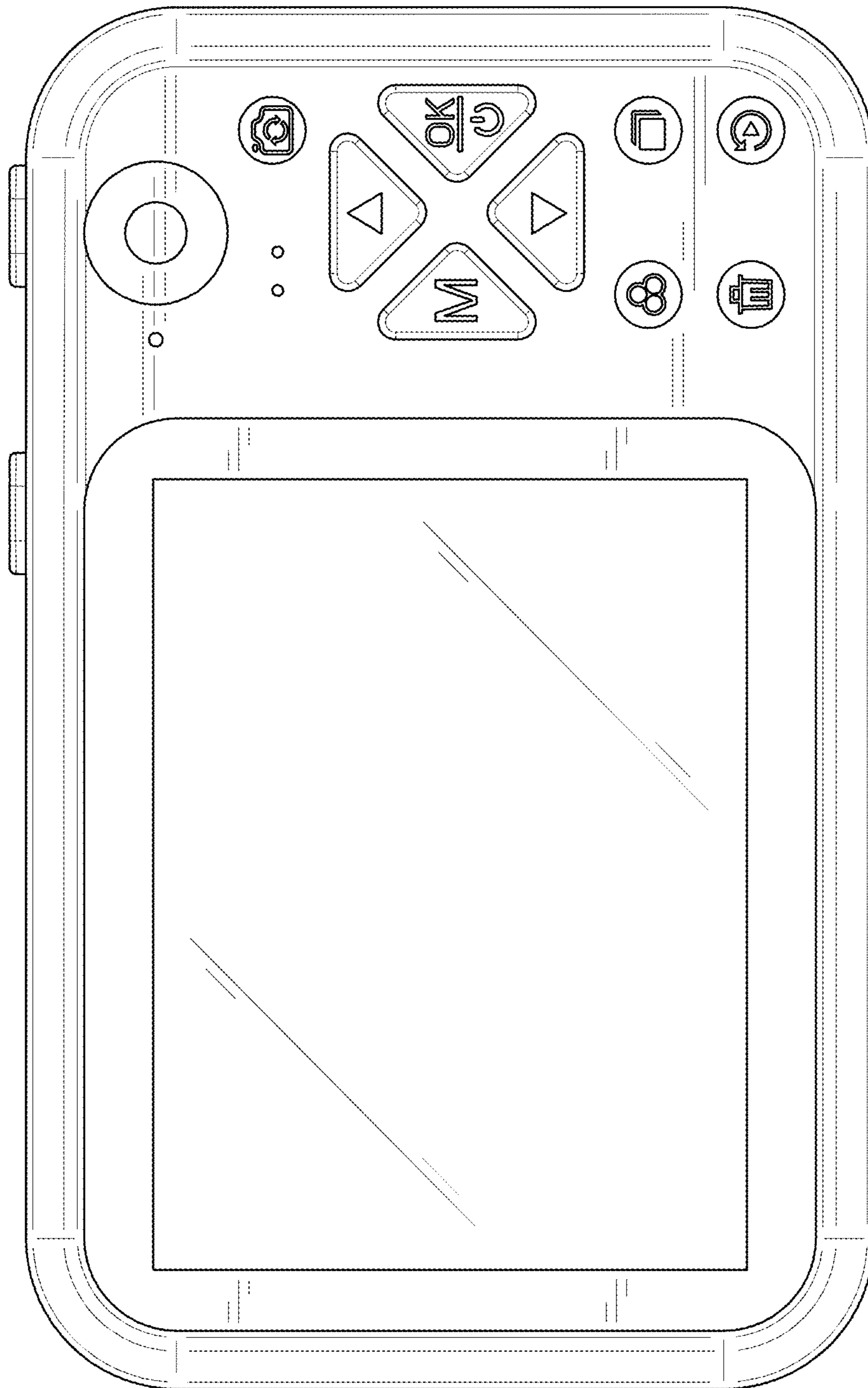


FIG. 3

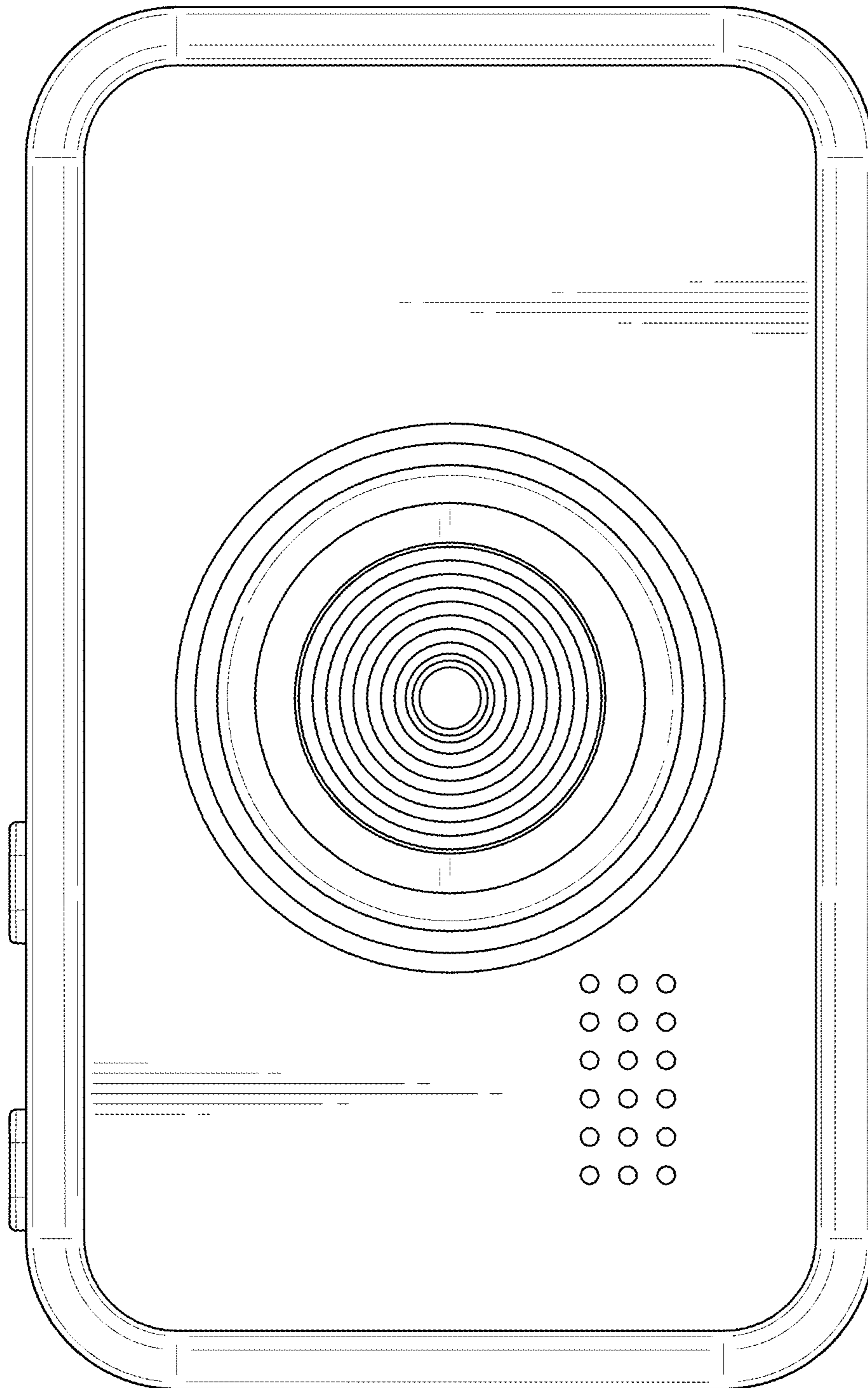


FIG. 4

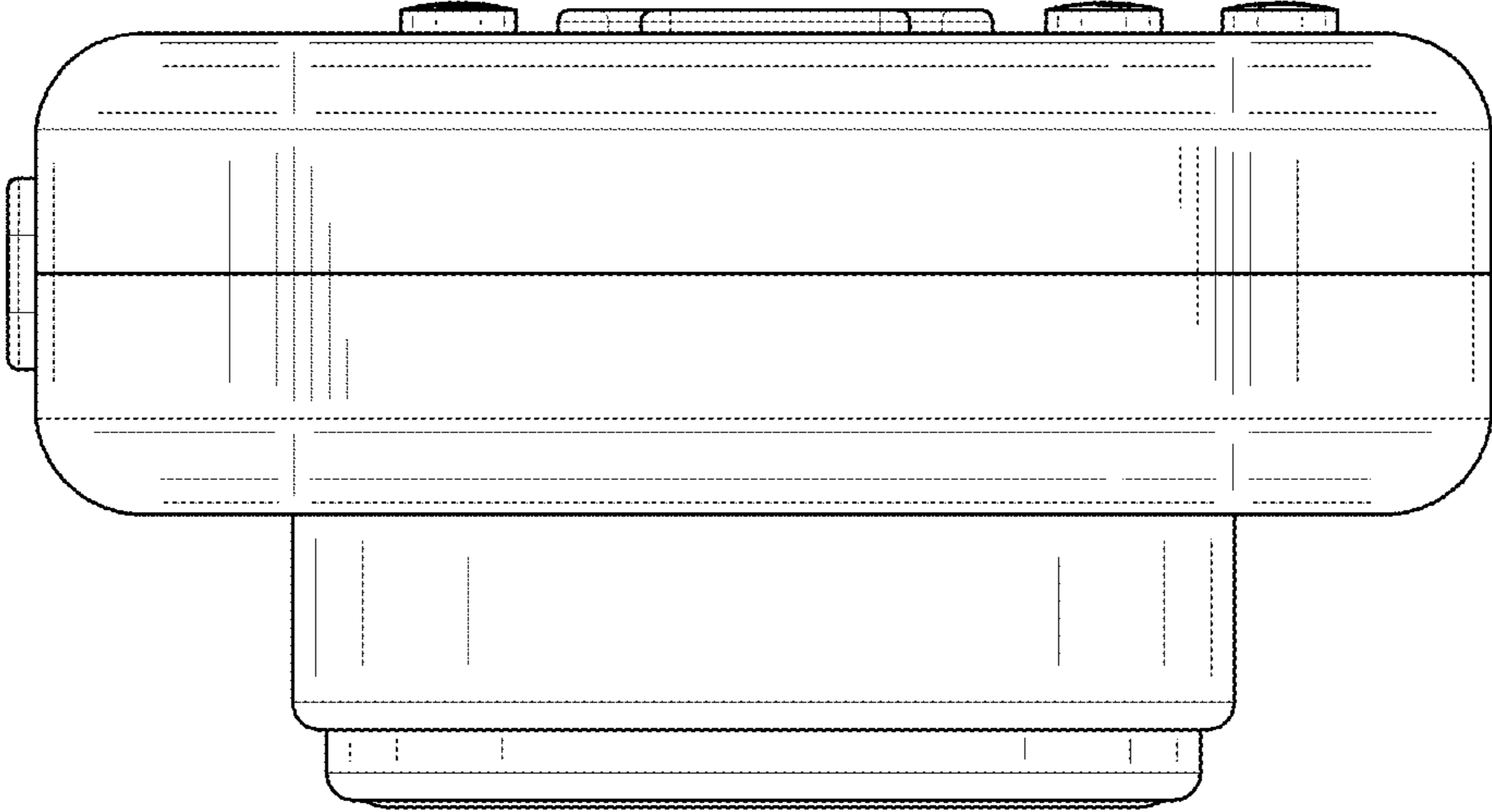


FIG. 5

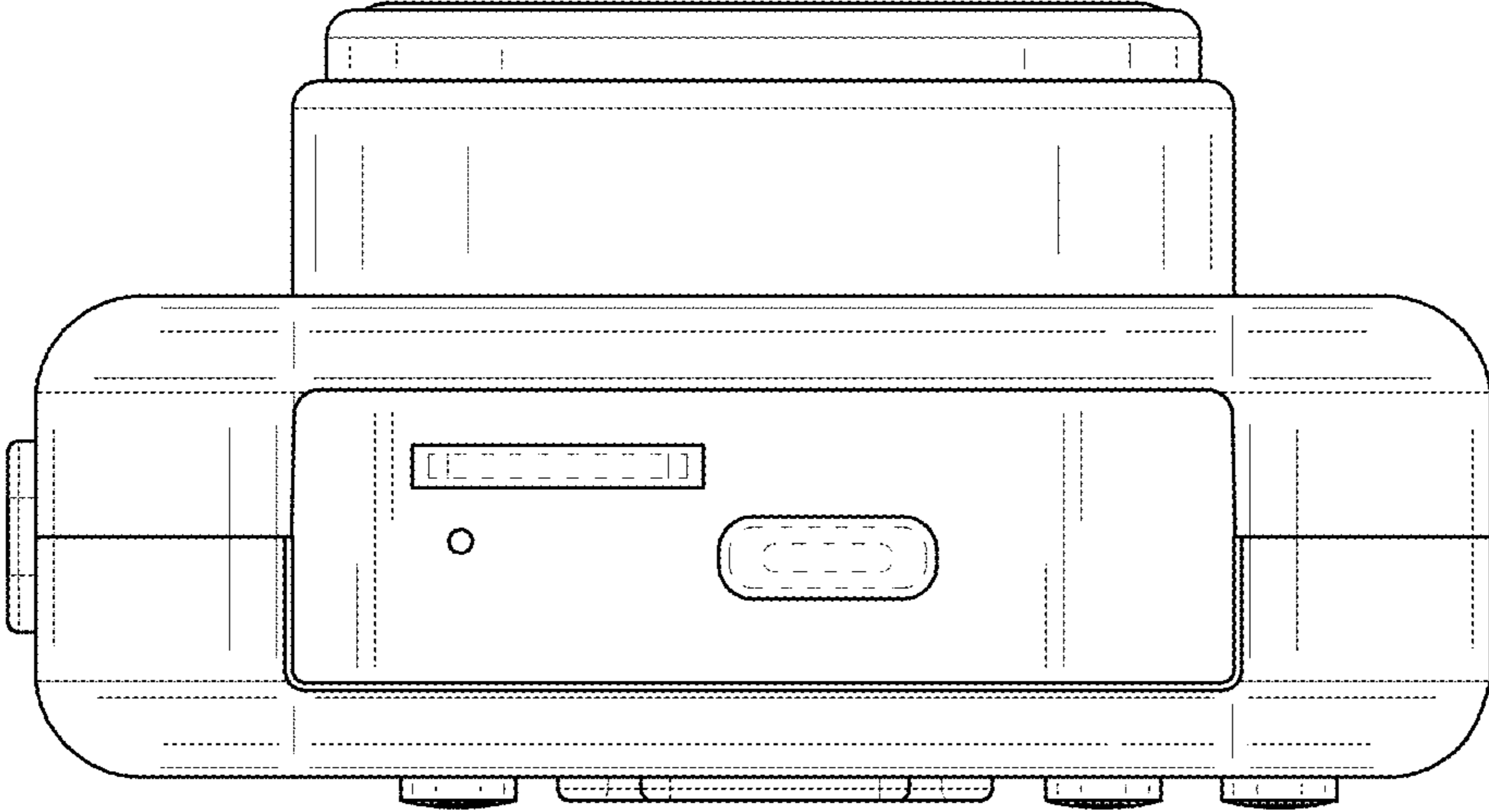


FIG. 6

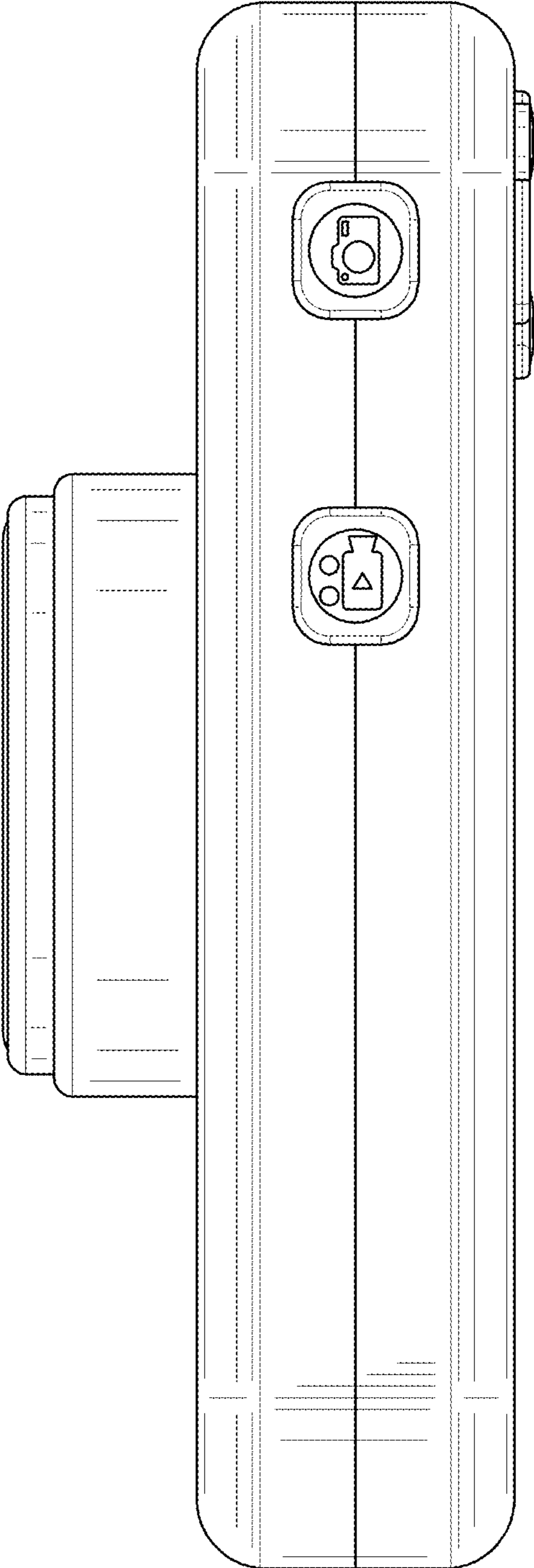


FIG. 7

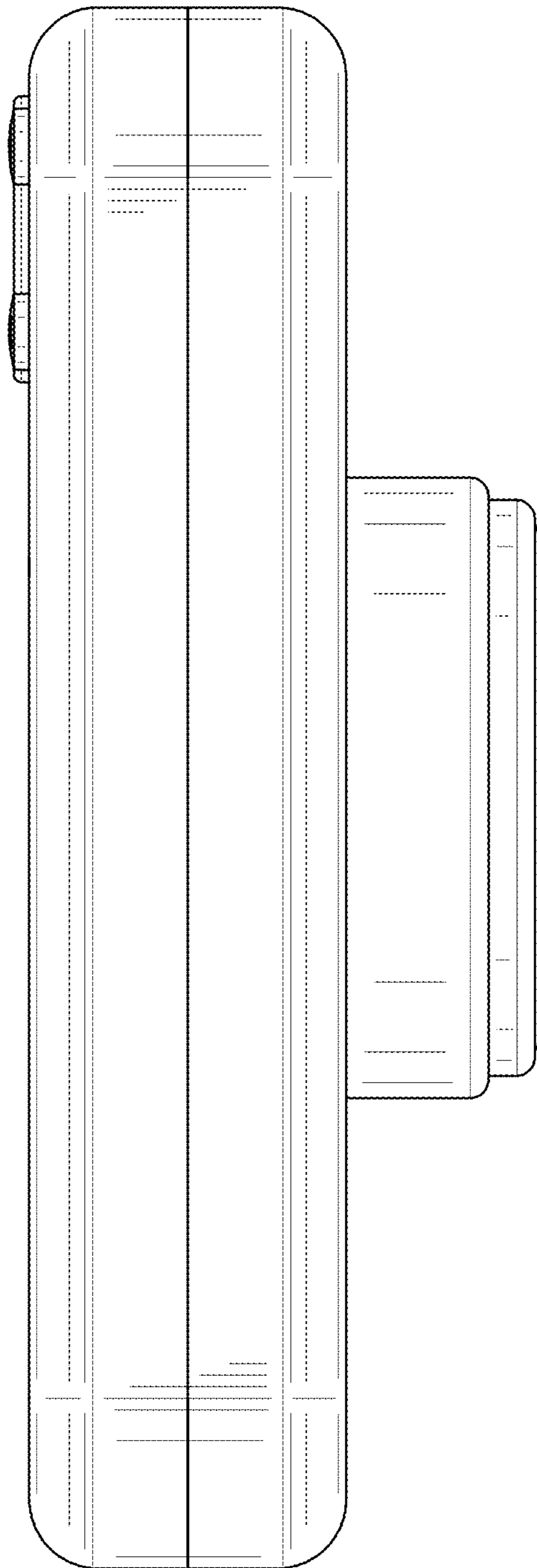


FIG. 8