



US00D971989S

(12) **United States Design Patent** (10) **Patent No.:** **US D971,989 S**
Lv (45) **Date of Patent:** **** Dec. 6, 2022**

(54) **PHOTO BOOTH**

FOREIGN PATENT DOCUMENTS

(71) Applicant: **Shenzhen Vanplex Co., Ltd,**
Guangdong (CN)

CN 202230153306.6 * 5/2022
CN 202230153355.X * 6/2022

(Continued)

(72) Inventor: **Hongwen Lv,** Guangdong (CN)

(**) Term: **15 Years**

OTHER PUBLICATIONS

(21) Appl. No.: **29/835,732**

“DOEL 360 Photo Booth Machine with Bluetooth Control—Slow Motion Video Booth Platform Automatic Spinner, Selfie Platform Spin 360 Degree Video Booth, with Ring Light & Adjustable Camera Stand” from Amazon.com, first available Mar. 9, 2022 from the internet <<https://www.amazon.com/DOEL-Photo-Machine-Bluetooth-Control/dp/B09V4T1Z1M>> (Year: 2022).*

(22) Filed: **Apr. 21, 2022**

(Continued)

(30) **Foreign Application Priority Data**

Mar. 25, 2022 (CN) 202230161972.4

(51) **LOC (13) Cl.** **16-01**

(52) **U.S. Cl.**
USPC **D16/215**

(58) **Field of Classification Search**
USPC D16/200–203, 208–209, 213–215,
D16/217–218; D10/46, 50, 52, 104.1,
D10/114.3; D14/125, 203.1, 203.8,
D14/209.1, 204, 214, 317, 474, 496
CPC G03B 17/00; G03B 17/02; G03B 2217/00;
H04N 5/2251; H04N 5/225; H04N
5/2254

See application file for complete search history.

Primary Examiner — Elizabeth J Oswecki

Assistant Examiner — Lacey Chey Bowman

(74) *Attorney, Agent, or Firm* — Che-Yang Chen; Law
Office of Michael Chen

(56) **References Cited**

U.S. PATENT DOCUMENTS

7,706,673 B1 * 4/2010 Staudinger G03B 17/00
396/428
D618,269 S * 6/2010 Williams D16/242
D651,635 S * 1/2012 Hong D16/208
D854,598 S * 7/2019 Hsieh D16/232
D854,599 S * 7/2019 Hong D16/232
D898,805 S 10/2020 Lynch et al.
D958,222 S * 7/2022 Fan D16/215
2014/0270747 A1 * 9/2014 Maltese F16M 13/022
396/428

(Continued)

(57) **CLAIM**

The ornamental design for a photo booth, as shown and described.

DESCRIPTION

FIG. 1 is a perspective view of a photo booth showing my new design;
FIG. 2 is another perspective view thereof;
FIG. 3 is a front elevational view thereof;
FIG. 4 is a rear elevational view thereof;
FIG. 5 is a left side elevational view thereof;
FIG. 6 is a right side elevational view thereof;
FIG. 7 is a top plan view thereof;
FIG. 8 is a bottom plan view thereof;
FIG. 9 is an exploded view thereof; and,
FIG. 10 is another exploded view thereof.
The broken lines shown in the drawings are included for the purpose of illustrating portions of the photo booth that form no part of the claimed design.

1 Claim, 10 Drawing Sheets



(56)

References Cited

U.S. PATENT DOCUMENTS

2016/0219192 A1* 7/2016 Rosenberry F16M 11/2064
2019/0258142 A1* 8/2019 Liu F16M 11/10
2020/0077080 A1* 3/2020 Banta F16M 13/04

FOREIGN PATENT DOCUMENTS

CN 202130812533.0 * 7/2022
CN 202230211929.4 * 7/2022

OTHER PUBLICATIONS

“Mobispin 360 Photo Booth” from Mobiboosth.com, first retrieved Sep. 26, 2022 from the internet <<https://mobiboosth.co/product/mobispin-360-photo-booth/>> (Year: 2022).*

“360SPB CM5 40” Classic 360 Photo Booth Automatic And Manual Adjustable Spin For Holiday Parties(USA Large Stock)” from 360spinbooth.com, first retrieved Sep. 26, 2022 from the internet <<https://360spinphotoboosth.com/products/360spb-cm5-classic-360-photo-booth/>> (Year: 2022).*

“44” Automatic 360 Photo Booth” from Boothking.com, first retrieved Sep. 26, 2022 from the internet <https://boothking.com/product/44-automatic-spin-360-photo-booth/?gclid=EAlalQobChMlm_uzzumr-glVmz2tBh3xYwLQEAKYCiABEgJ1dvD_BwE> (Year: 2022).*

* cited by examiner

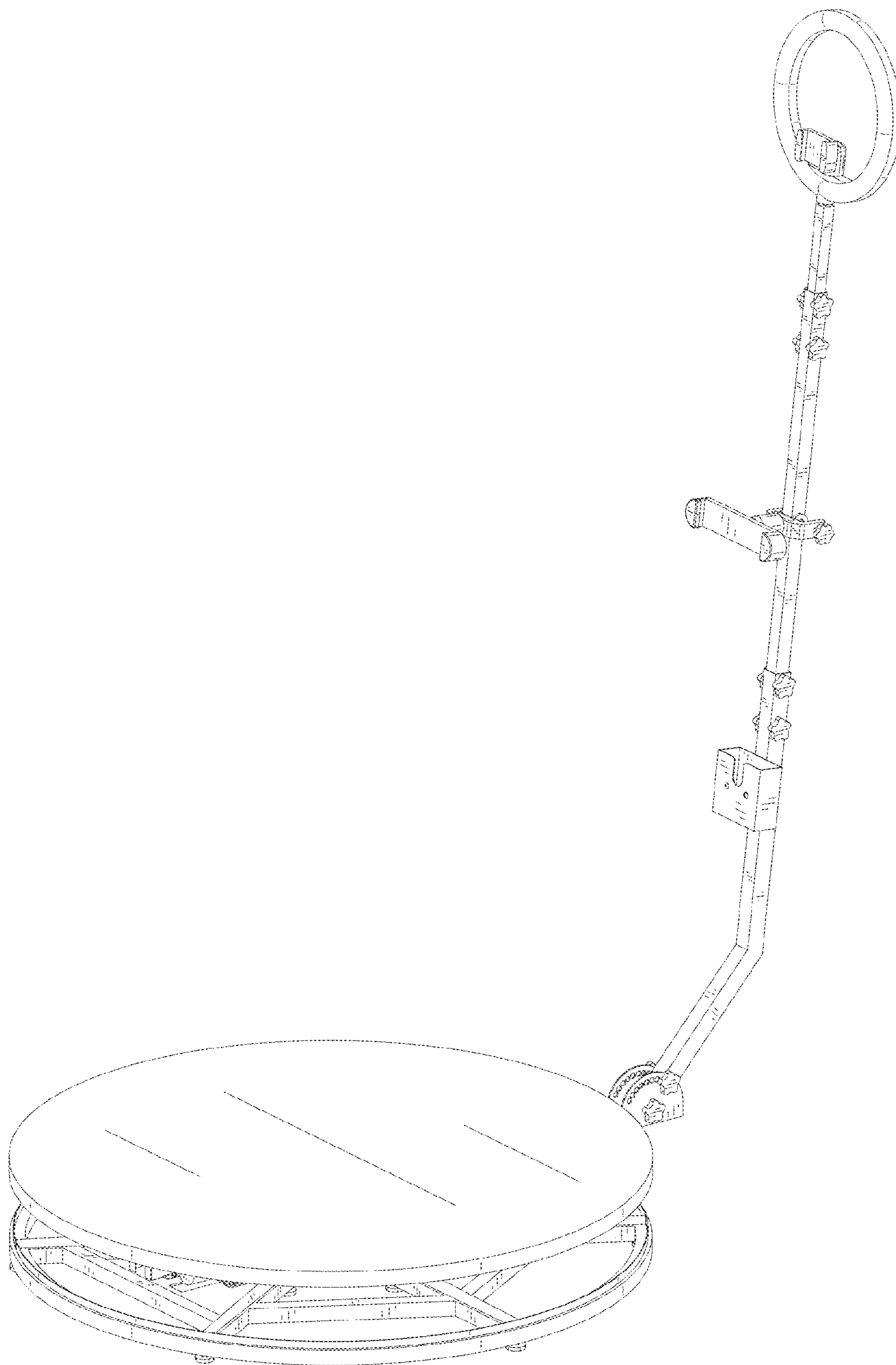


FIG. 1

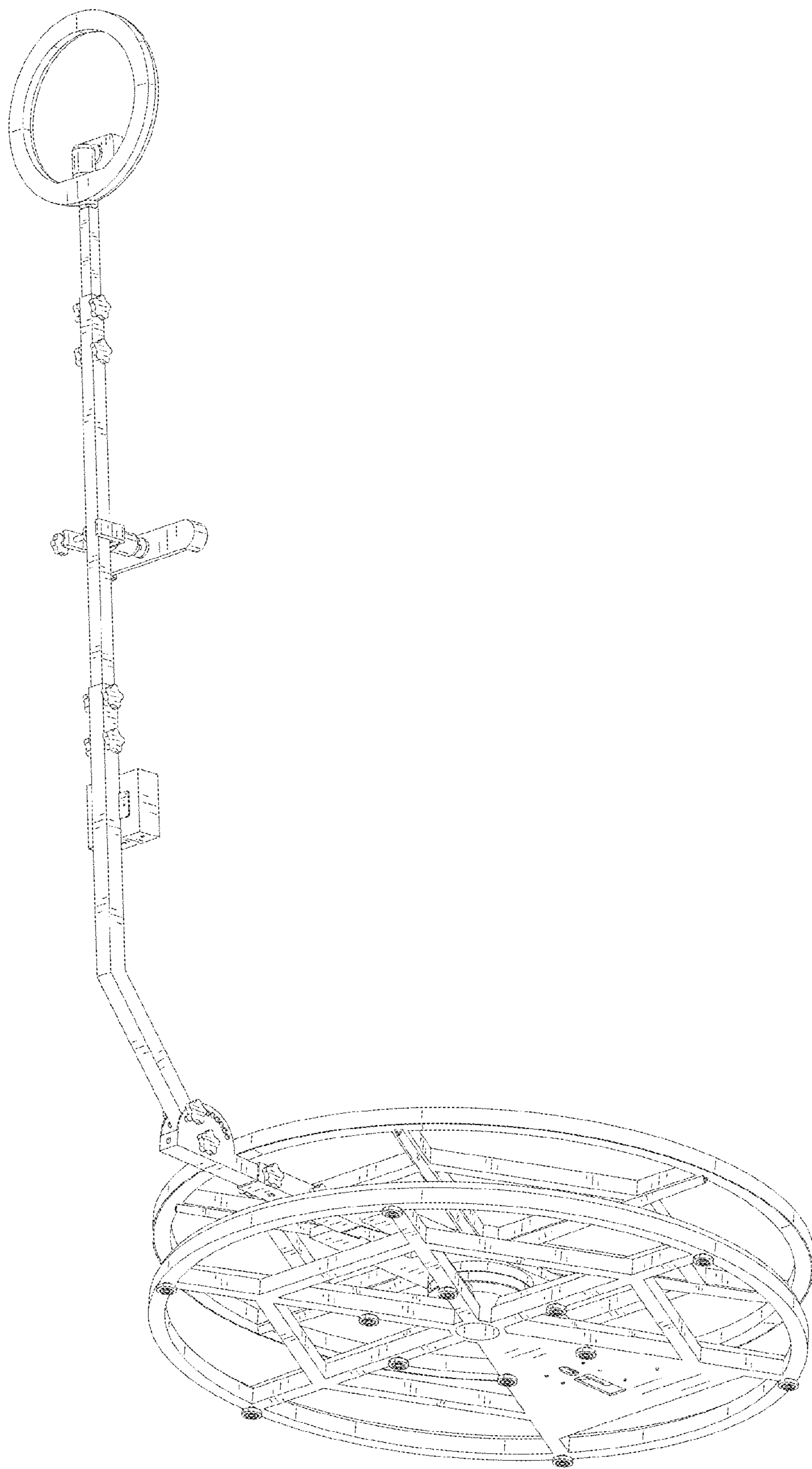


FIG. 2

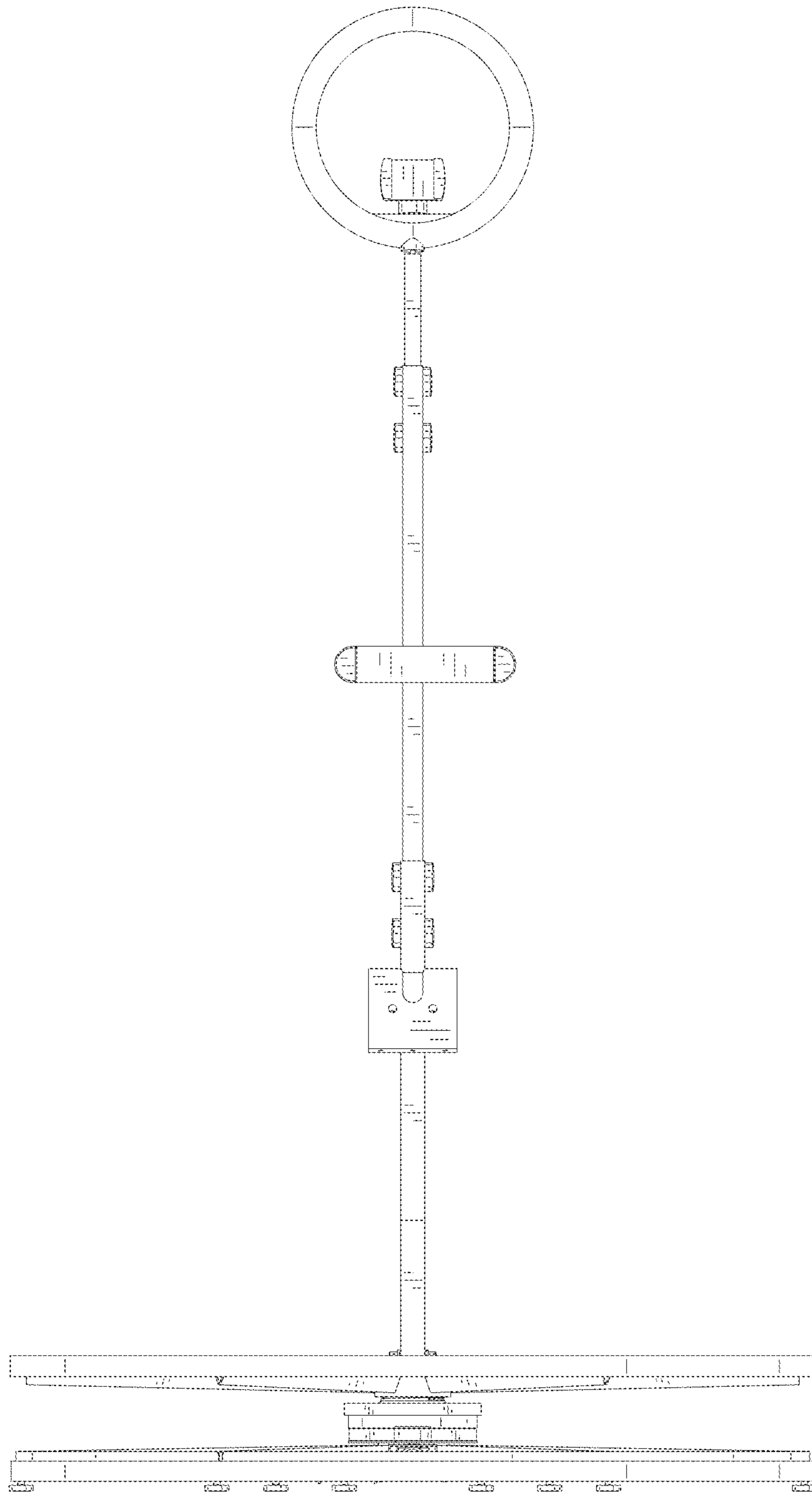


FIG. 3

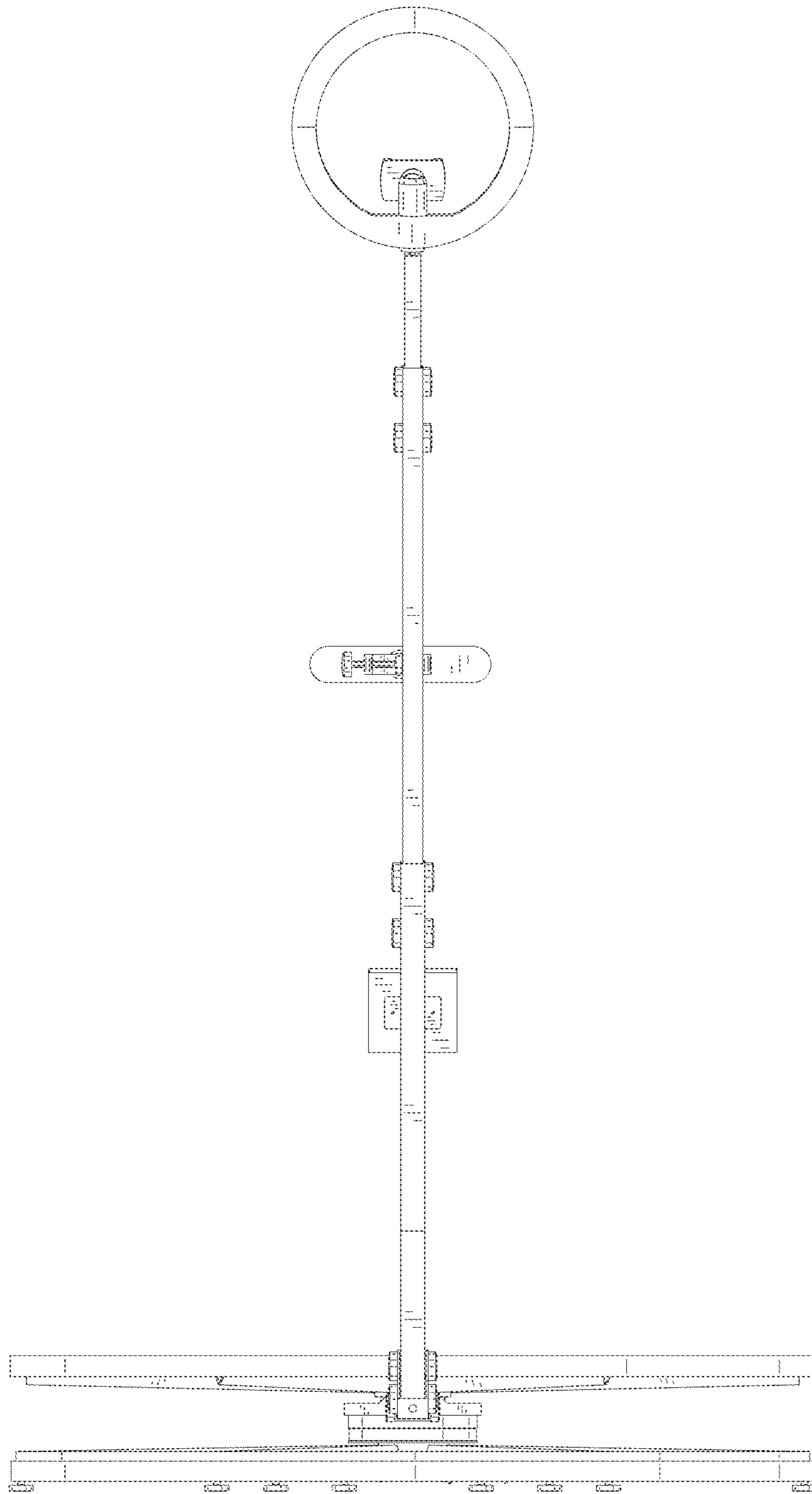


FIG. 4

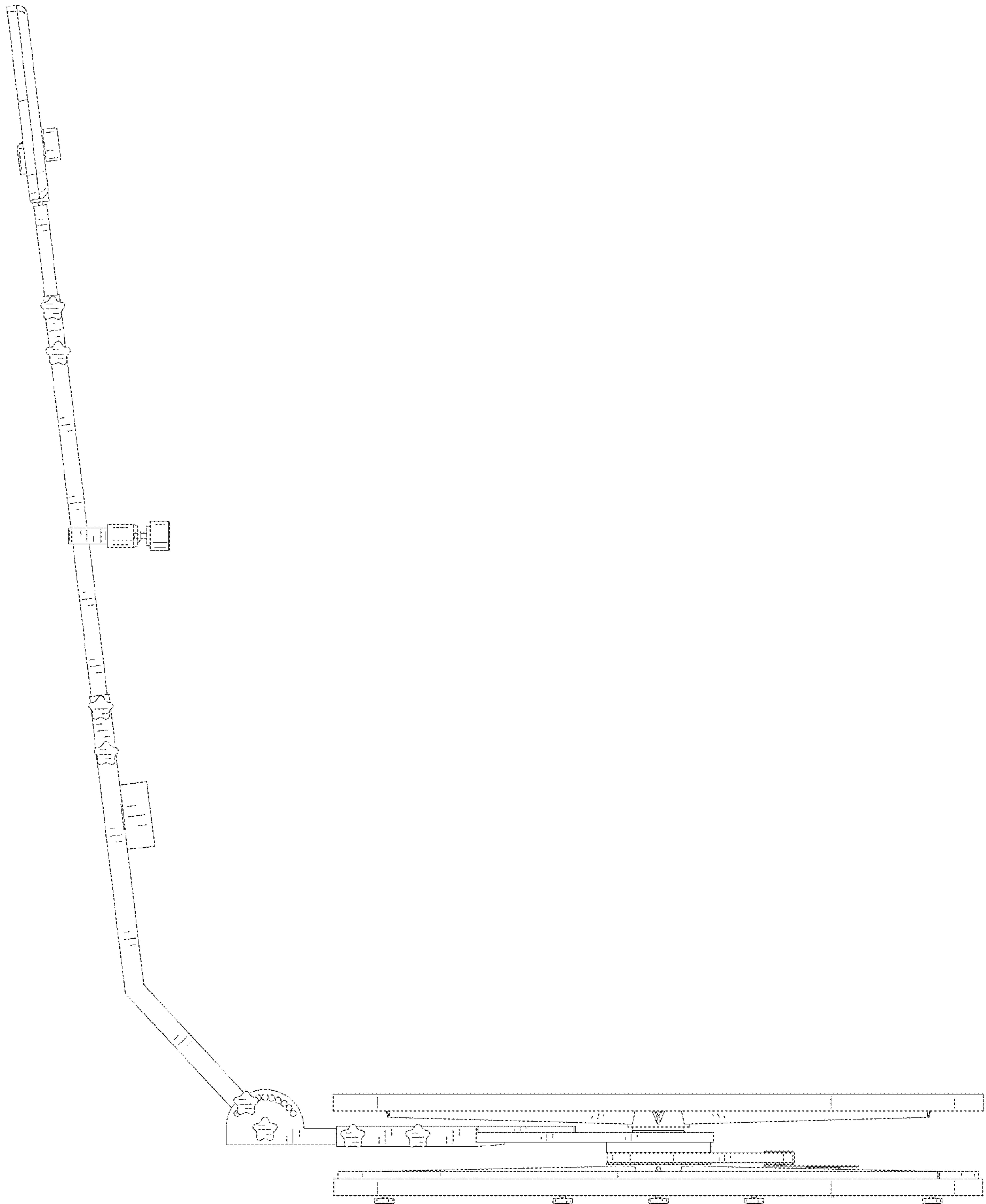


FIG. 5

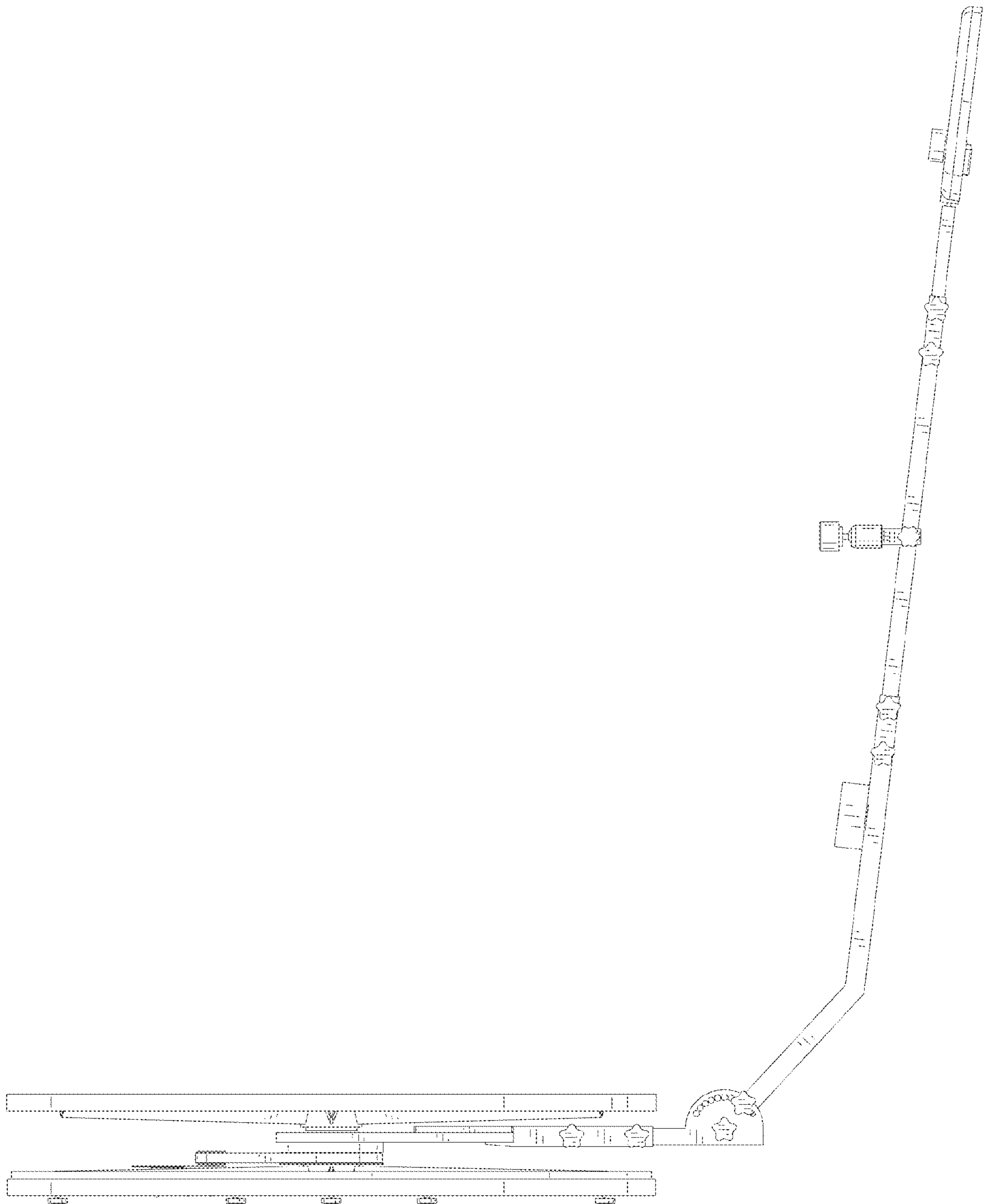


FIG. 6

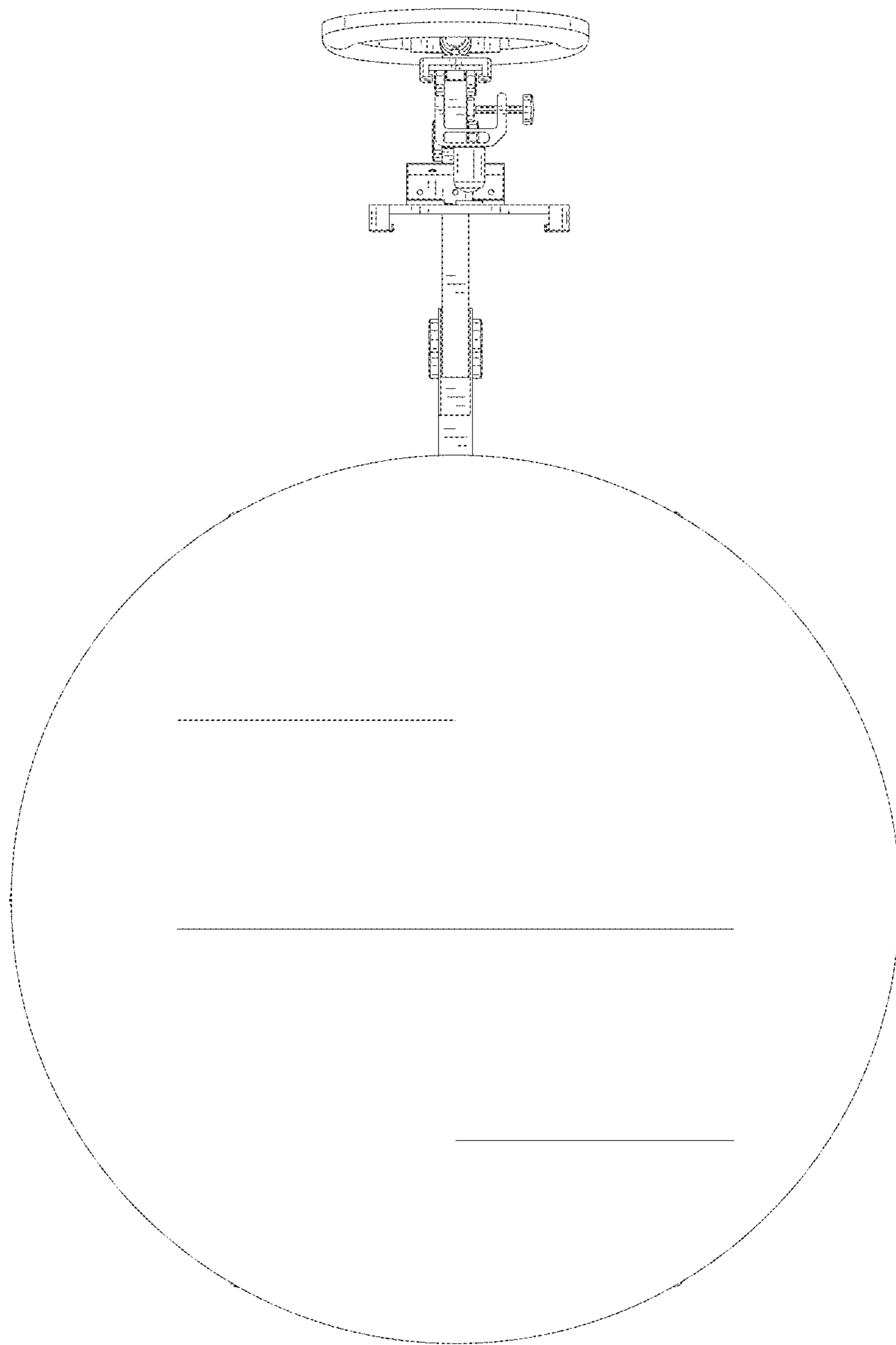


FIG. 7

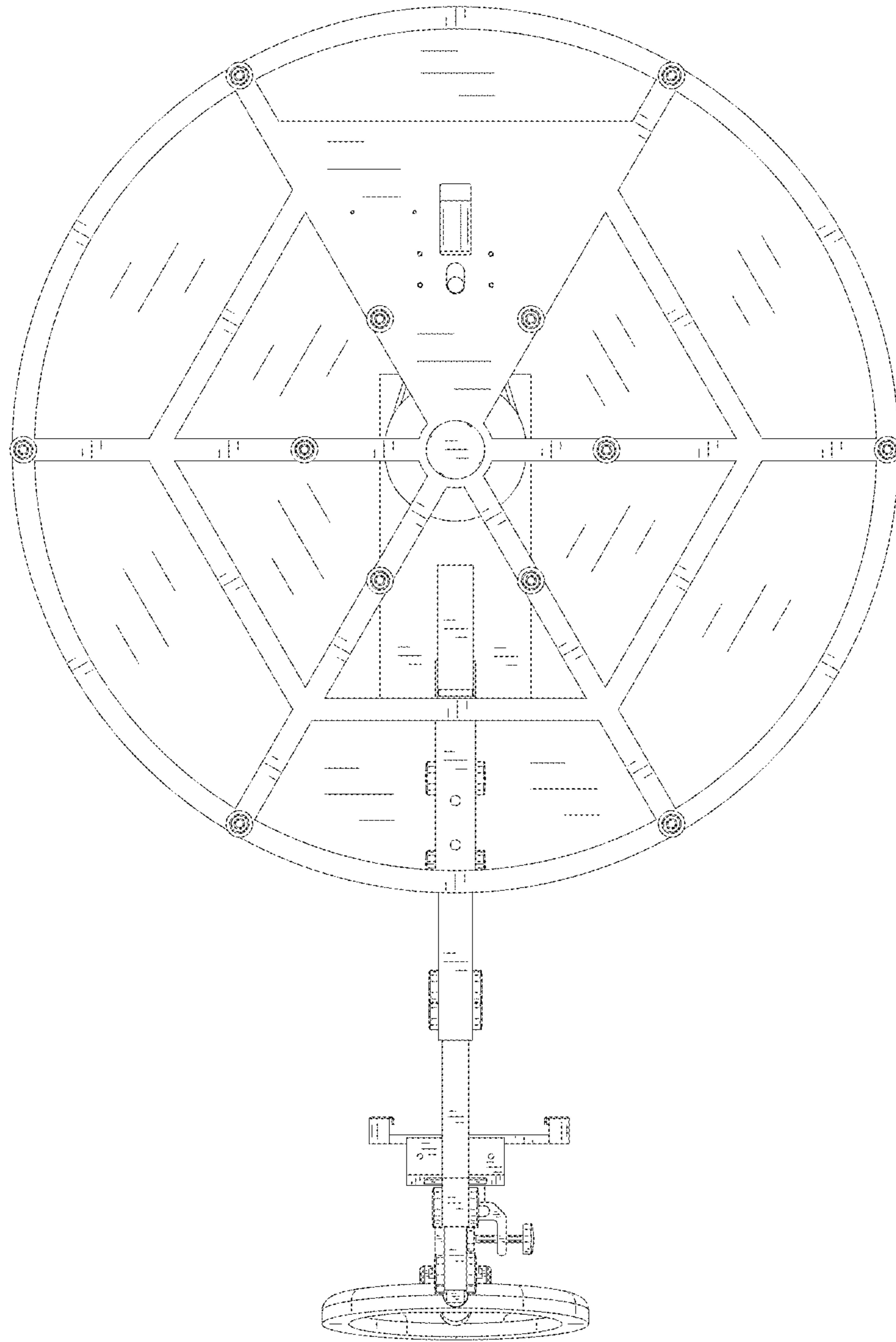


FIG. 8

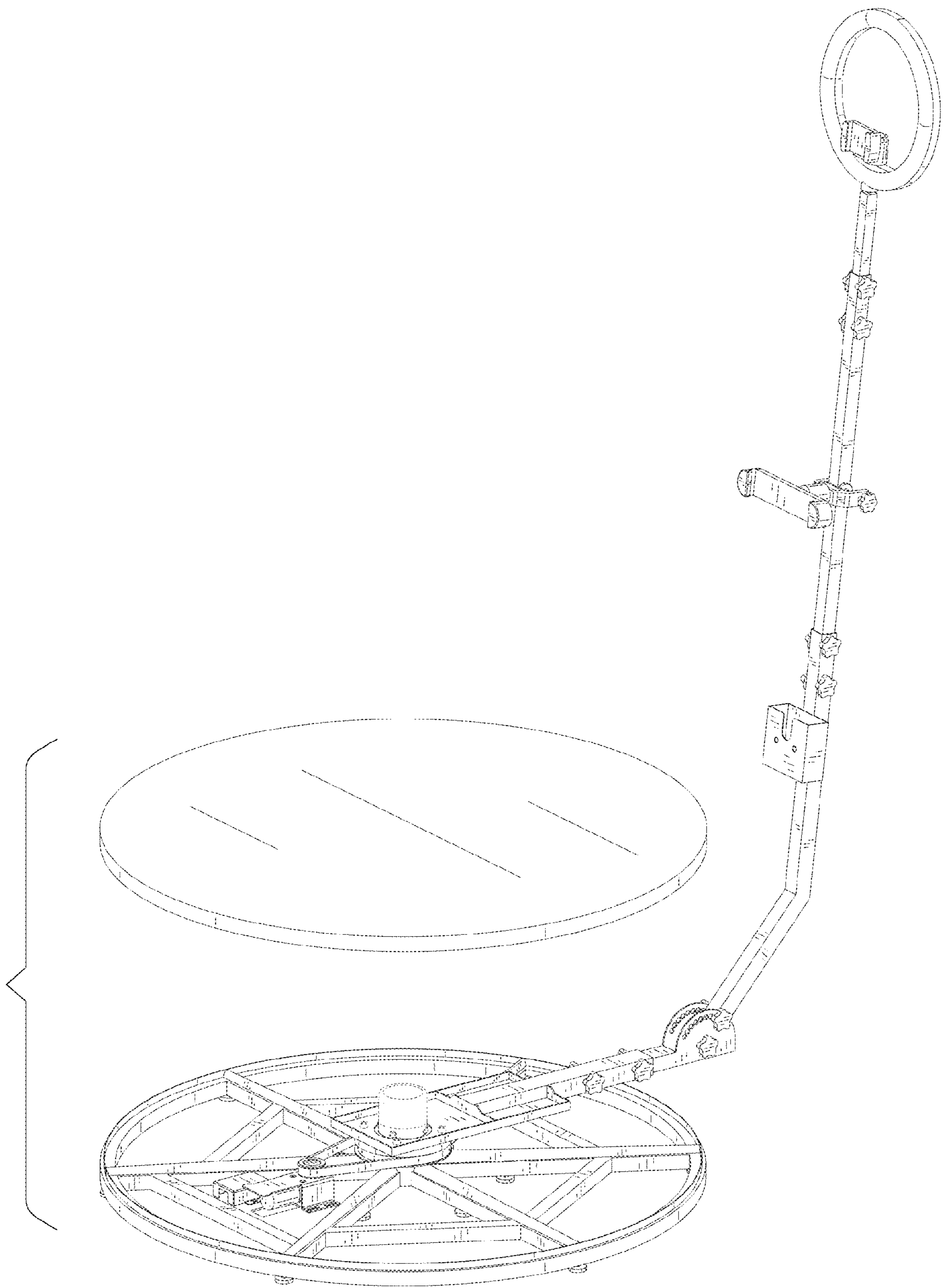


FIG. 9

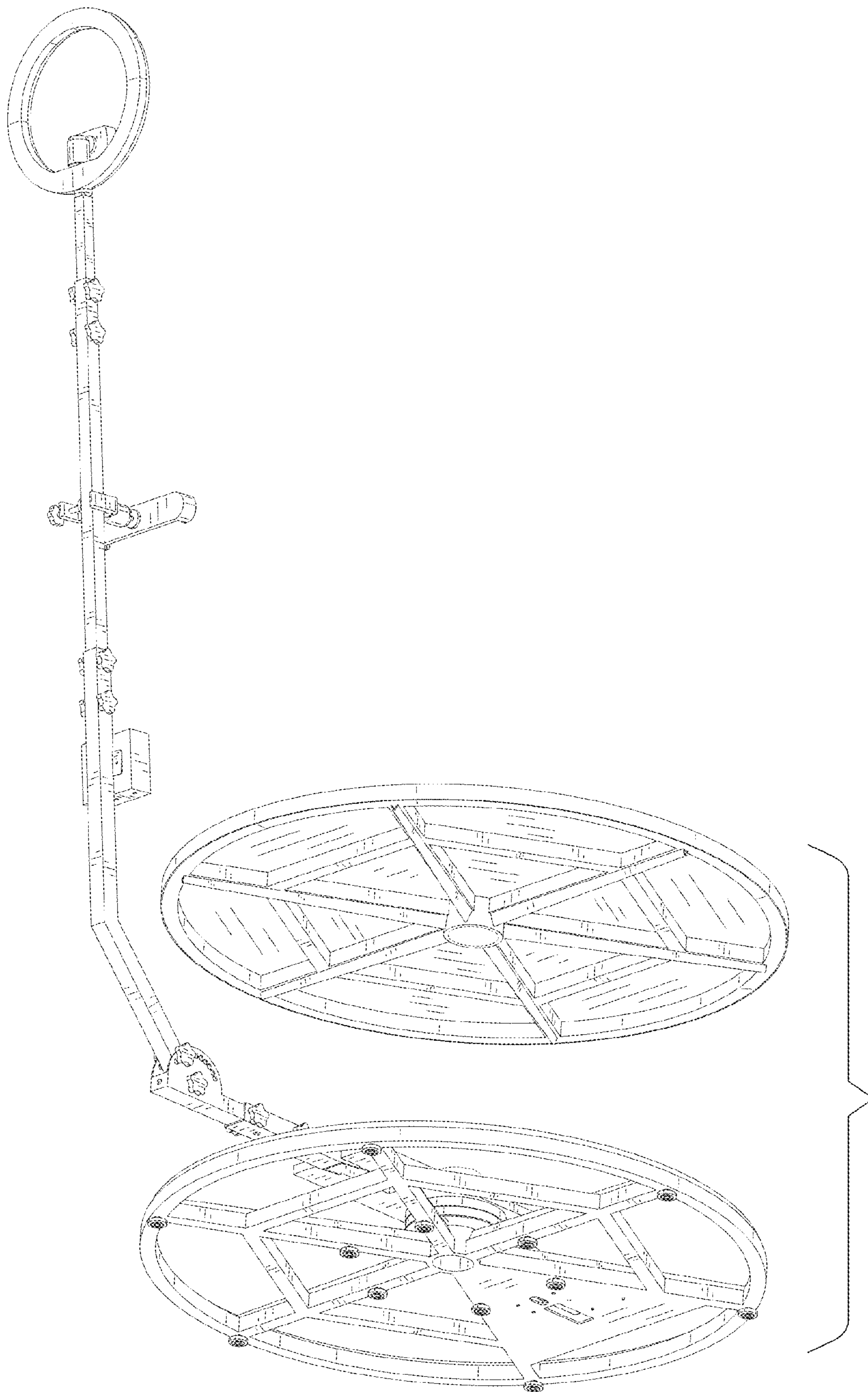


FIG. 10