



US00D971987S

(12) **United States Design Patent** (10) **Patent No.:** **US D971,987 S**
Robinson (45) **Date of Patent:** **** Dec. 6, 2022**

(54) **DETACHABLE FIREARM CAMERA**

OTHER PUBLICATIONS

(71) Applicant: **Adam Robinson**, Richfield, UT (US)
(72) Inventor: **Adam Robinson**, Richfield, UT (US)
(**) Term: **15 Years**
(21) Appl. No.: **29/736,232**
(22) Filed: **May 28, 2020**
(51) **LOC (13) Cl.** **16-06**
(52) **U.S. Cl.**
USPC **D16/203**; D22/108
(58) **Field of Classification Search**
USPC D16/200, 201, 202, 203, 214, 215, 219;
D14/203.1, 238.1, 239; D10/104.1,
D10/106.6, 106.9, 109.1, 119.4;
D22/101, 108, 109
CPC G02B 13/001; G03B 19/18; G03B 19/02;
G03B 17/566; G03B 17/563; F41C 23/16;
F41C 23/10; F41C 23/04; F41C 23/22;
F41C 27/16; F41C 33/008; F41B 5/1492;
F41A 21/00; F41G 1/35
See application file for complete search history.

Amazon Mini Spy Camera, earliest photo review Sep. 22, 2019, [online], [site visited Jul. 29, 2022], Available from Internet, <URL:https://www.amazon.com/dp/B07X1YLC2L?ref_=cm_sw_r_cp_ud_dp_37GSH7TWB4WCJF0WTETG> (Year: 2019).*
Amazon Mantis X10 Elite Shooting Performance System, earliest photo review Jun. 14, 2020, [online], [site visited Jul. 29, 2022], Available from Internet, <https://www.amazon.com/dp/B082BD3471?ref_=cm_sw_r_cp_ud_dp_YP6T25JQW4T9B0SEXZTX> (Year: 2020).*
Google Image Search, [online], [site visited Jul. 29, 2022], Available from Internet, <URL: https://www.google.com/search?q=attachable+camera+for+handgun&source=lnms&tbm=isch&sa=X&ved=2ahUKewjNi-uCoZ75AhVJEGIAHXa4Du1Q_AUoAnoECAEQBA&biw=1536&bih=754&dpr=1.25> (Year: 2022).*

* cited by examiner

Primary Examiner — Sanjeev Paul
Assistant Examiner — Breana Copeland
(74) *Attorney, Agent, or Firm* — Steve Rinehart

(56) **References Cited**

U.S. PATENT DOCUMENTS

D606,571 S * 12/2009 Delacroix D16/203
D626,165 S * 10/2010 Raken D16/202
D647,935 S * 11/2011 Raken D16/202
D747,757 S * 1/2016 Daniel D16/208
D904,486 S * 12/2020 Xiong D16/208
11,035,645 B1 * 6/2021 Robinson F41C 27/00
D924,304 S * 7/2021 Kapuria D16/208
D944,880 S * 3/2022 Chen D16/202
2008/0112698 A1 * 5/2008 Ray G03B 17/00
396/56
2019/0093985 A1 * 3/2019 Robinson H04N 5/2253

FOREIGN PATENT DOCUMENTS

GB 8205252000-1000 * 12/2019
KR 301028072.0000 * 10/2019

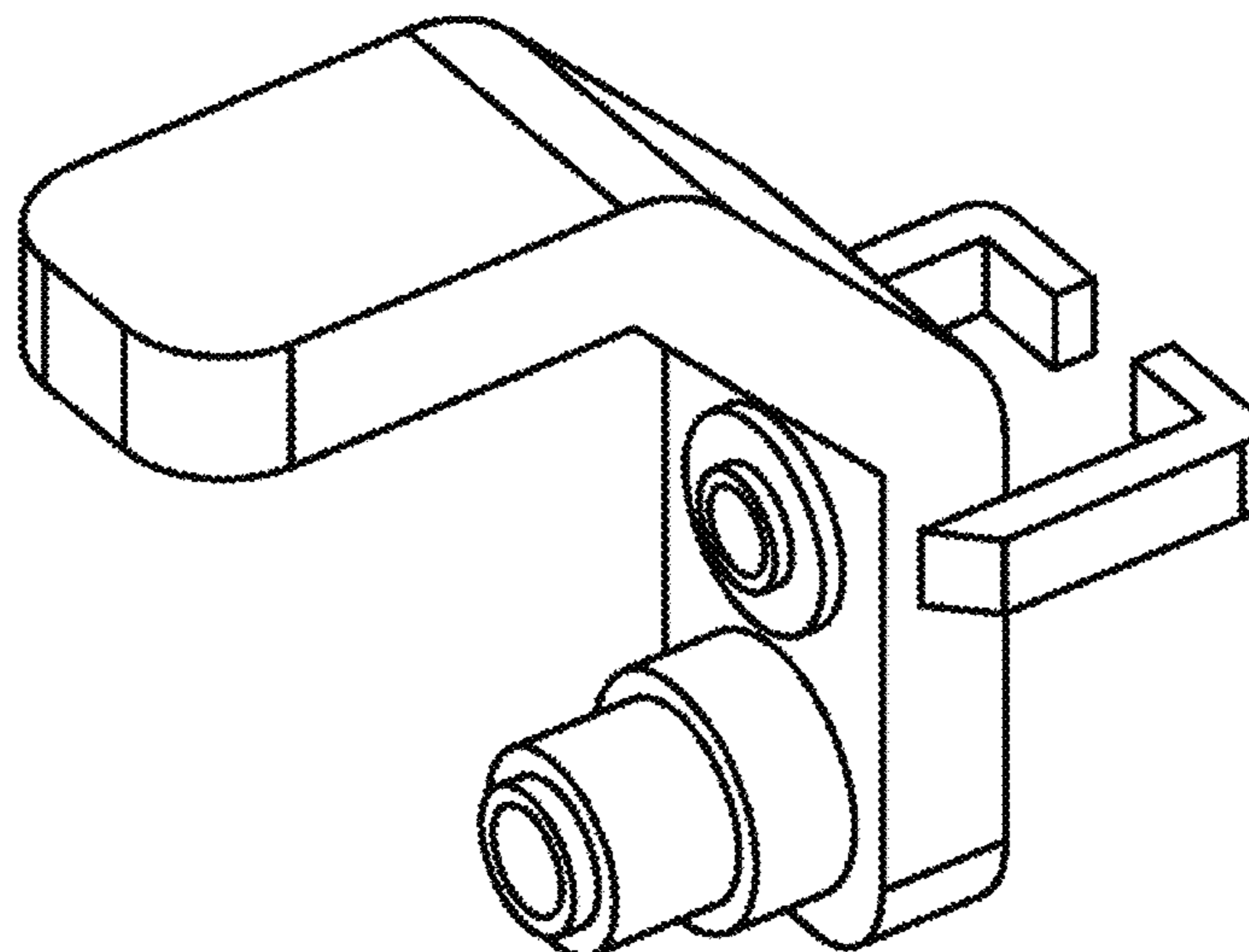
(57) **CLAIM**

I claim the ornamental design for the detachable firearm camera, as shown and described.

DESCRIPTION

FIG. 1 illustrates an isometric perspective view of a detachable firearm camera showing my design;
FIG. 2 is a forward perspective view thereof;
FIG. 3 is a left perspective view thereof;
FIG. 4 is a right perspective view thereof;
FIG. 5 is a rear perspective view thereof;
FIG. 6 is a top perspective view thereof;
FIG. 7 is a lower perspective view thereof; and,
FIG. 8 is a lower perspective view thereof.

1 Claim, 8 Drawing Sheets



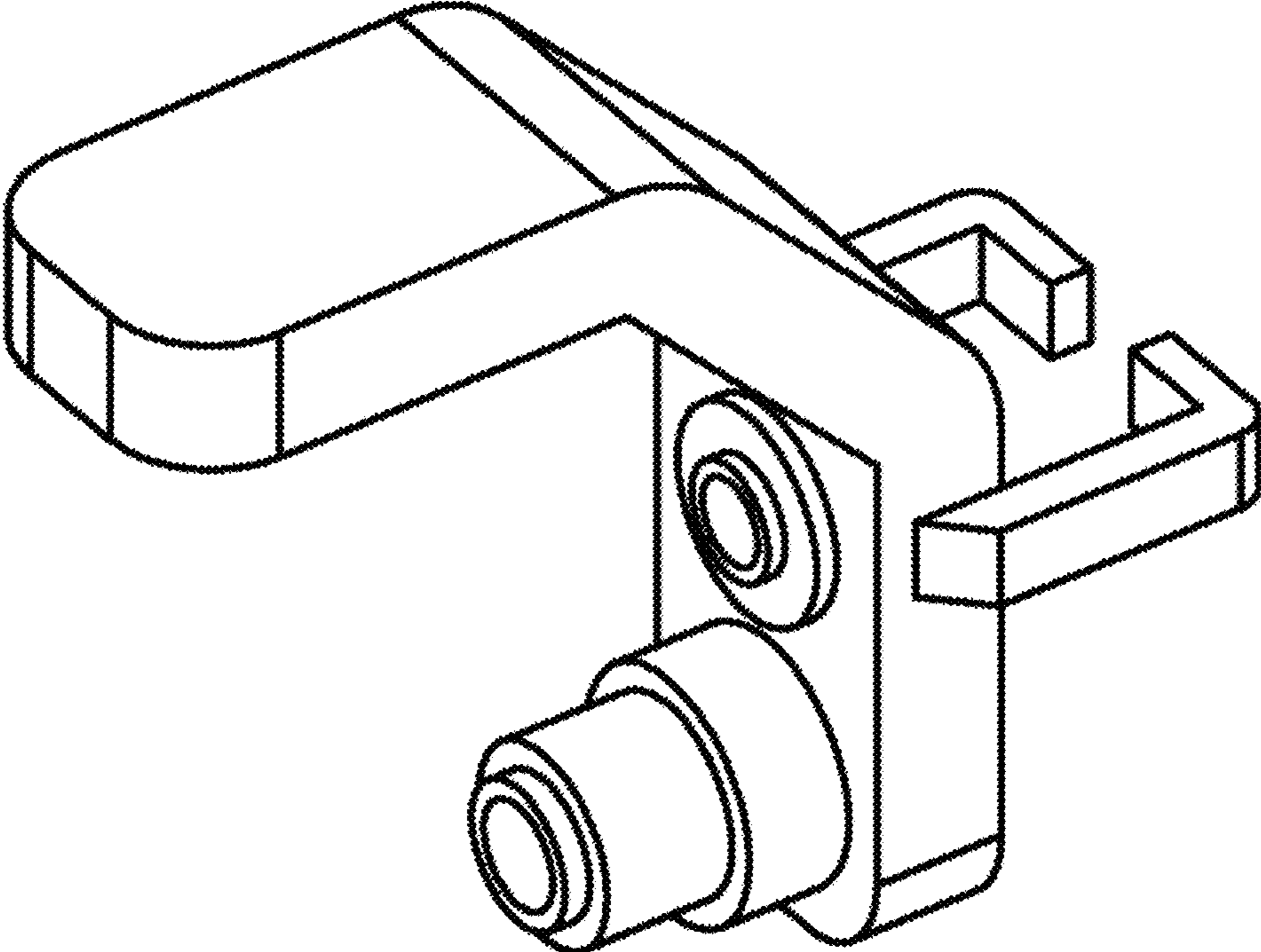


FIG. 1

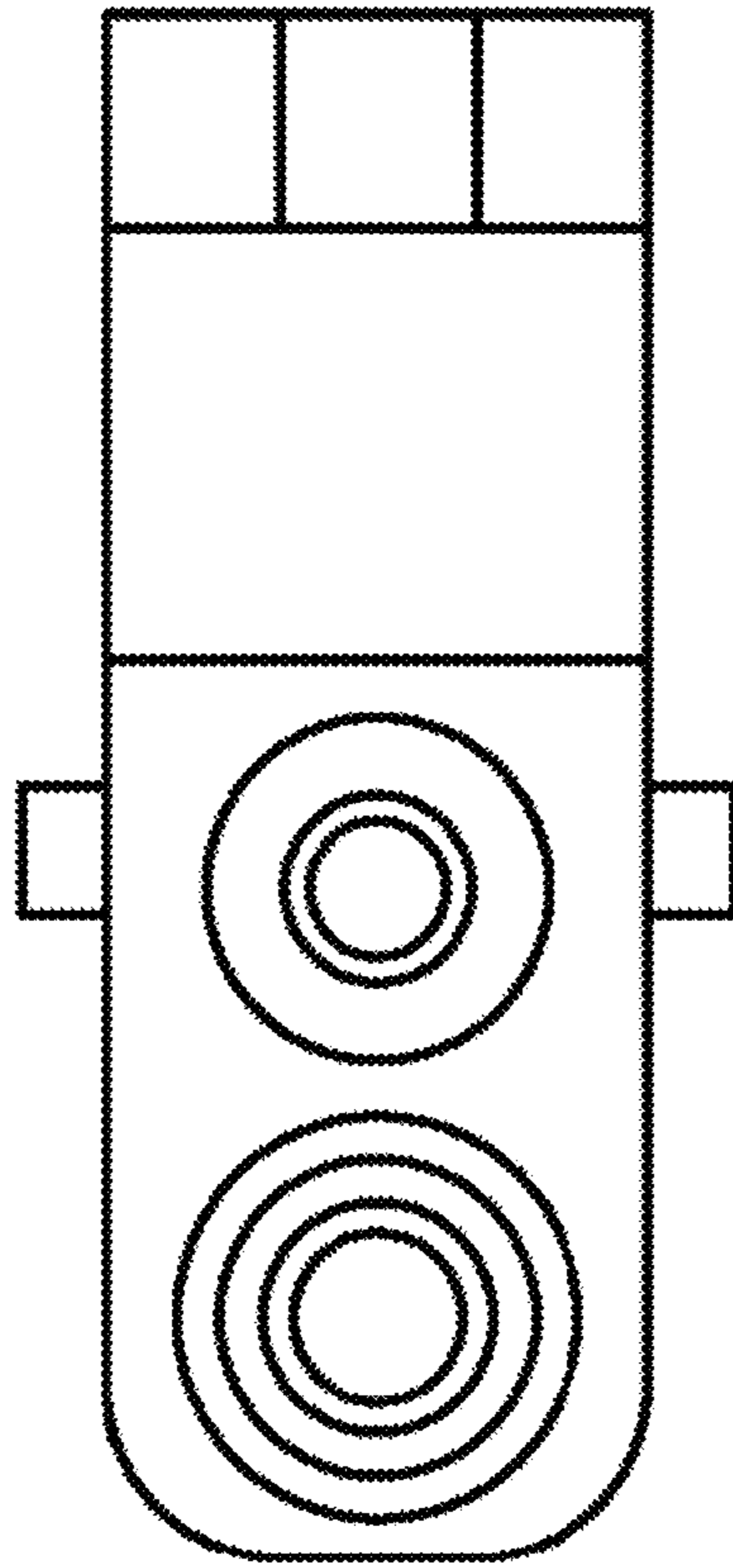


FIG. 2

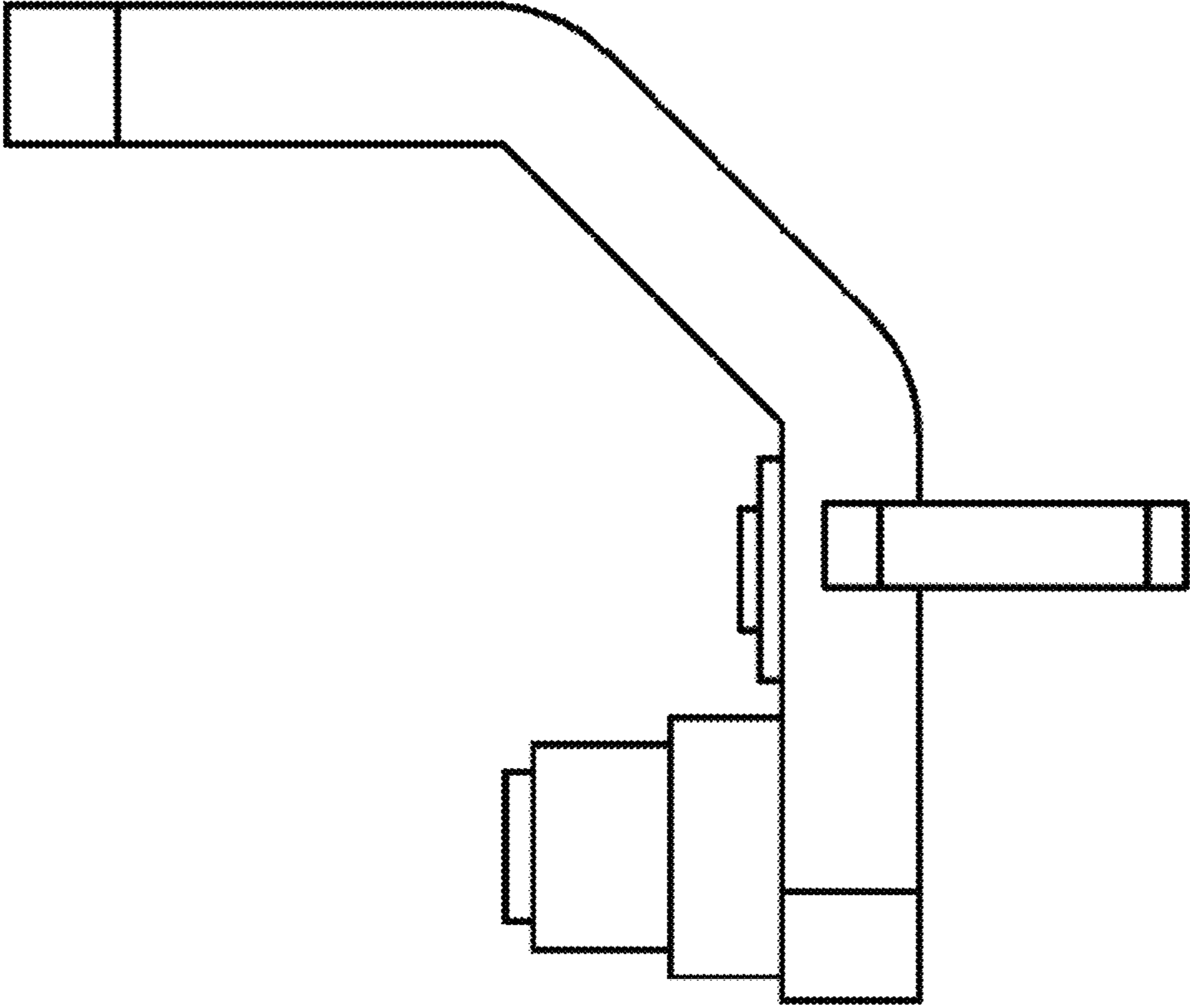


FIG. 3

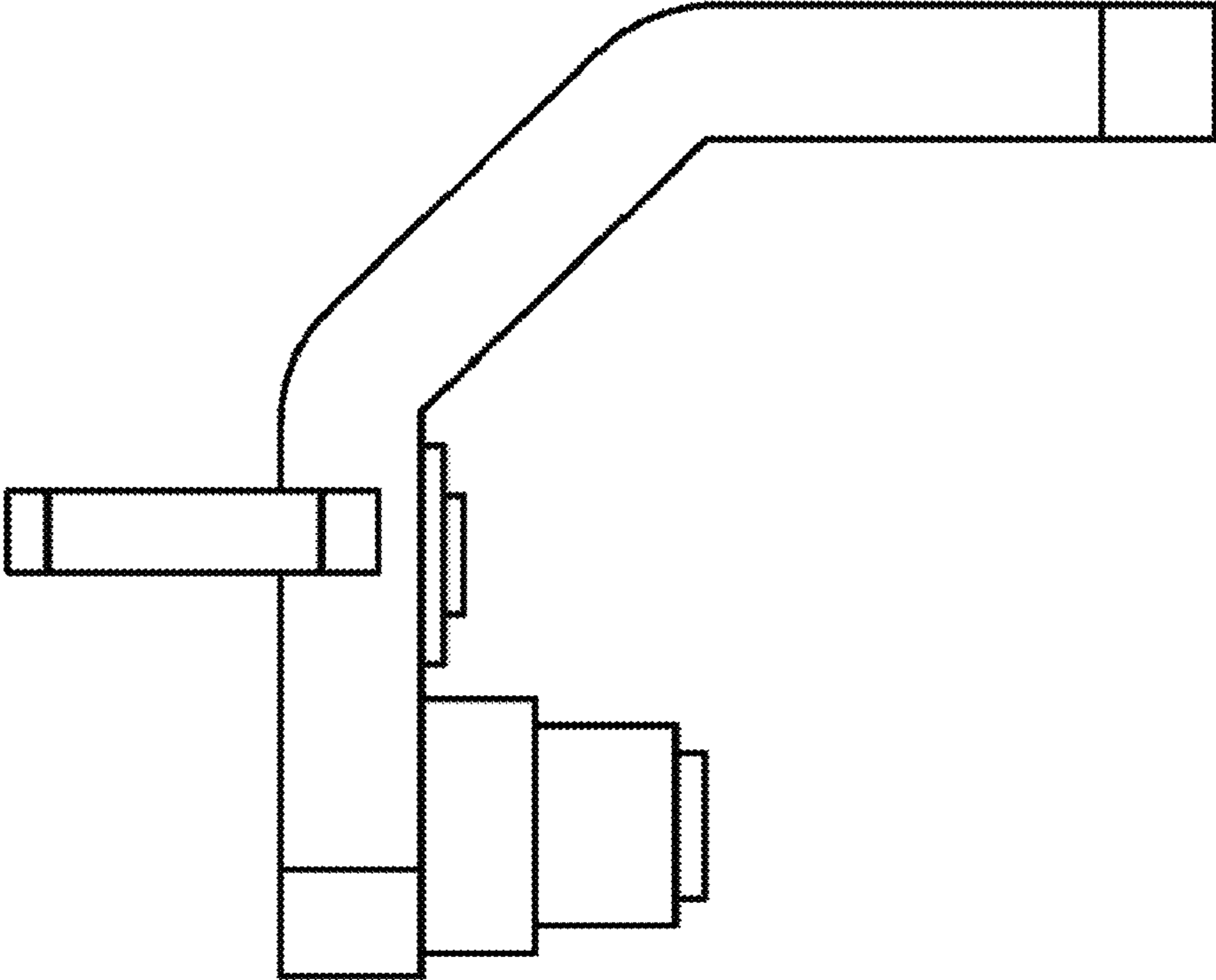


FIG. 4

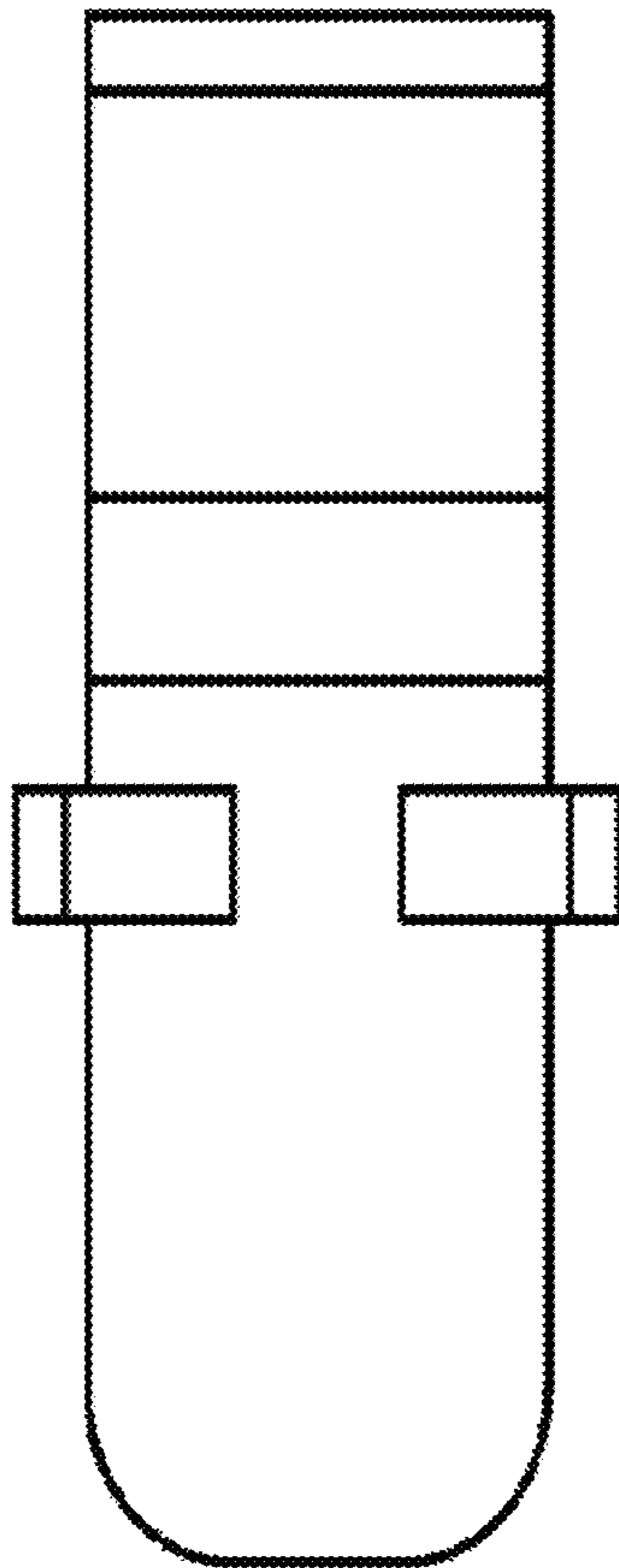


FIG. 5

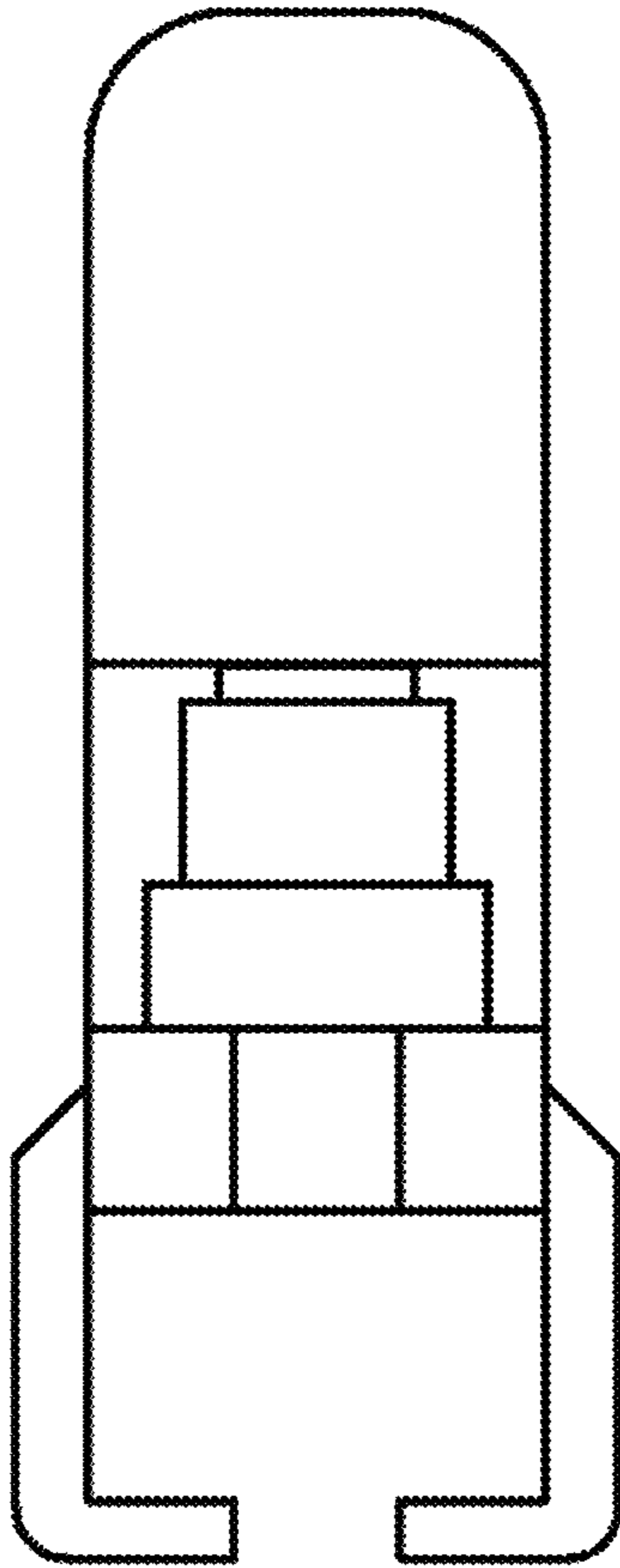


FIG. 6

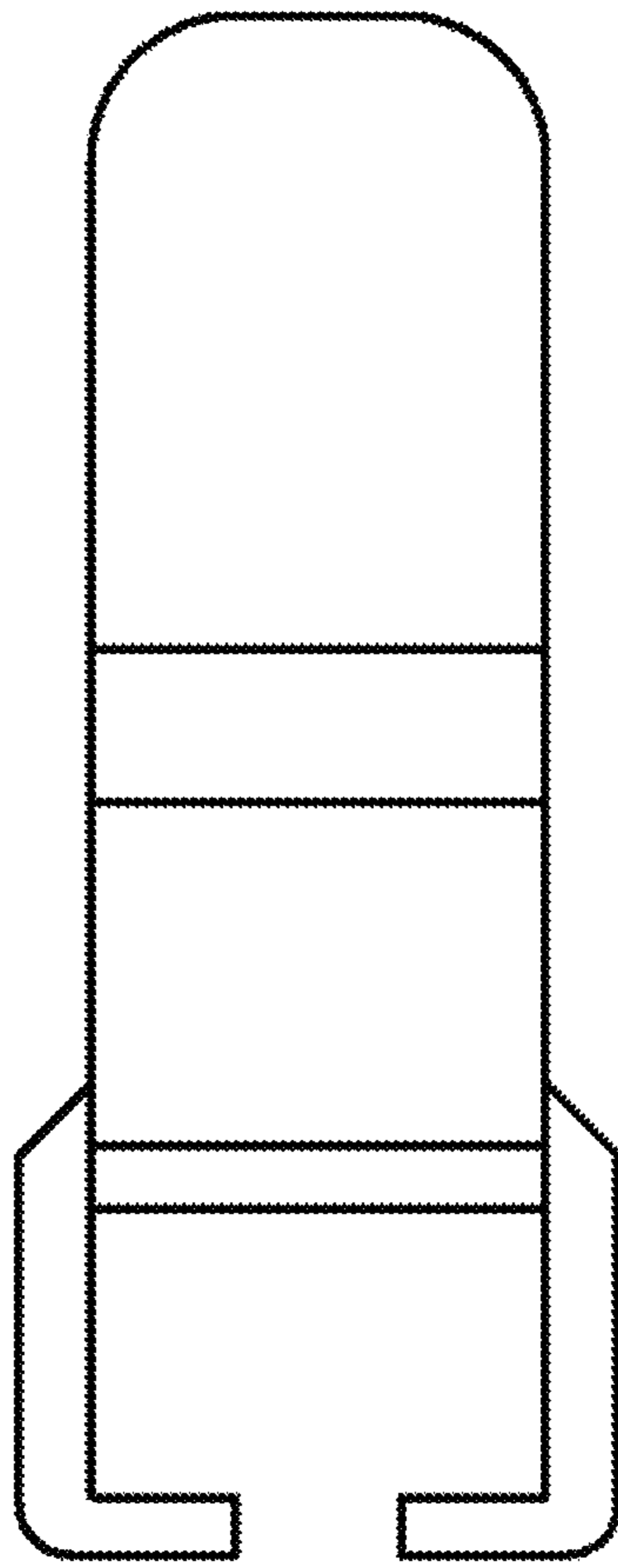


FIG. 7

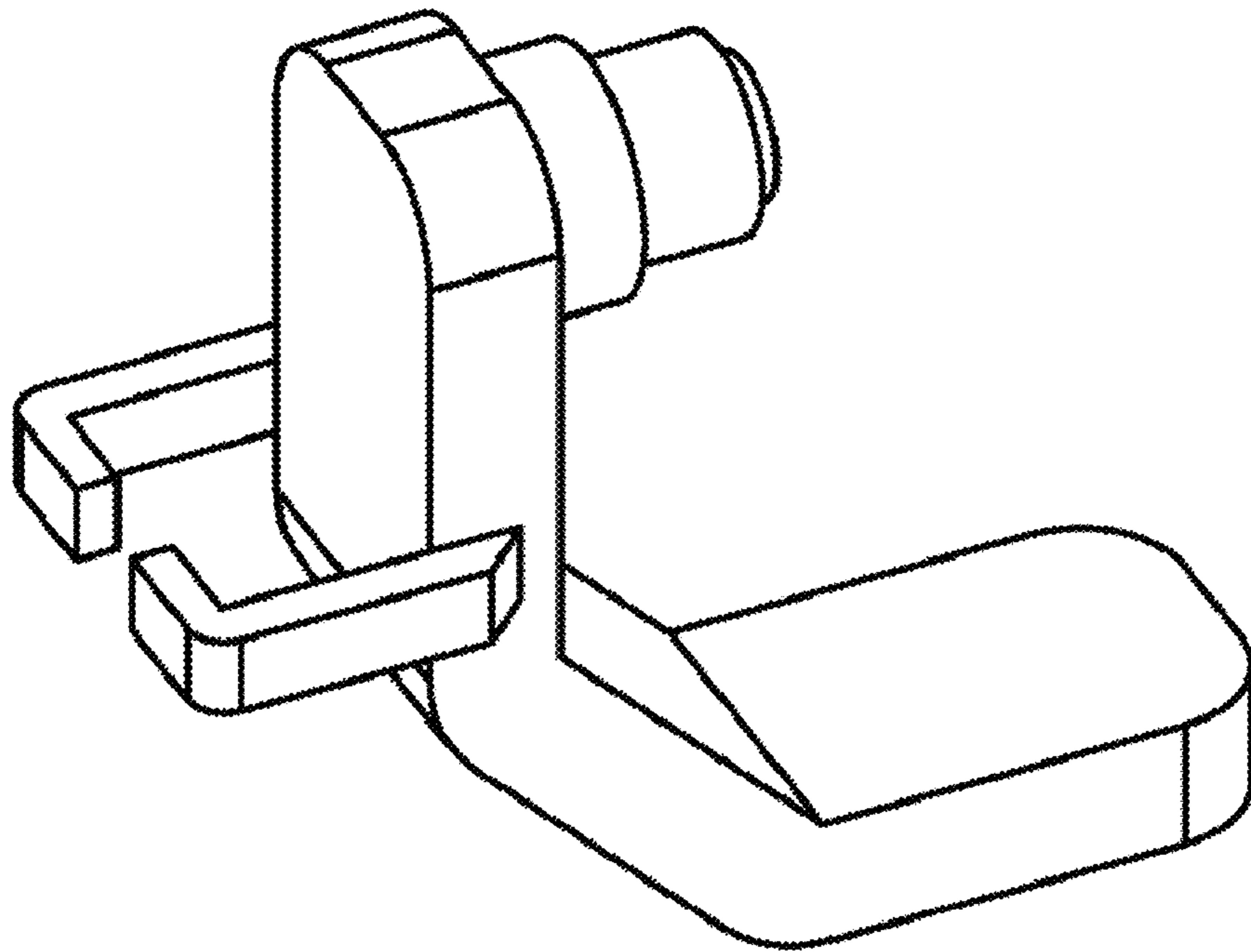


FIG. 8