



US00D971986S

(12) **United States Design Patent**
Mu

(10) **Patent No.:** **US D971,986 S**

(45) **Date of Patent:** **** Dec. 6, 2022**

(54) **CAMERA**

(71) Applicant: **SHENZHEN AUSEK ELECTRONIC TECHNOLOGY CO., LTD.**, Shenzhen (CN)

(72) Inventor: **Xilong Mu**, Shenzhen (CN)

(**) Term: **15 Years**

(21) Appl. No.: **29/786,368**

(22) Filed: **May 31, 2021**

(51) **LOC (13) Cl.** **16-01**

(52) **U.S. Cl.**
USPC **D16/202; D21/514**

(58) **Field of Classification Search**
USPC D16/200, 202–203, 208, 218, 219, 242;
D21/514; 348/14.01–14.6, 143, 148, 151,
348/373–376; 396/419, 427, 428, 535,
396/539–541
CPC G03B 17/02; G03B 19/04; G03B 17/56;
G03B 17/04; G03B 15/03; H04N
2101/00; H04N 2007/145; H04N 7/141;
H04N 7/142; H04N 7/147; H04N 7/148;
H04N 7/15; H04N 7/152
See application file for complete search history.

(56) **References Cited**

U.S. PATENT DOCUMENTS

D332,810 S * 1/1993 Fujieda D21/514
D356,587 S * 3/1995 Shuler D16/218

D515,608 S *	2/2006	Heatherly	D16/202
D522,557 S *	6/2006	Chen	D16/202
D524,837 S *	7/2006	Chen	D16/202
D822,742 S *	7/2018	Hathway	D16/202
D822,743 S *	7/2018	Hathway	D16/202
D822,744 S *	7/2018	Hathway	D16/202
D849,087 S *	5/2019	Li	D16/202
D873,883 S *	1/2020	Lin	D16/202
D875,802 S *	2/2020	Jin	D16/202
D910,105 S *	2/2021	Lin	D16/202
D914,783 S *	3/2021	Wu	D16/202

* cited by examiner

Primary Examiner — Ramzi Almatrahi

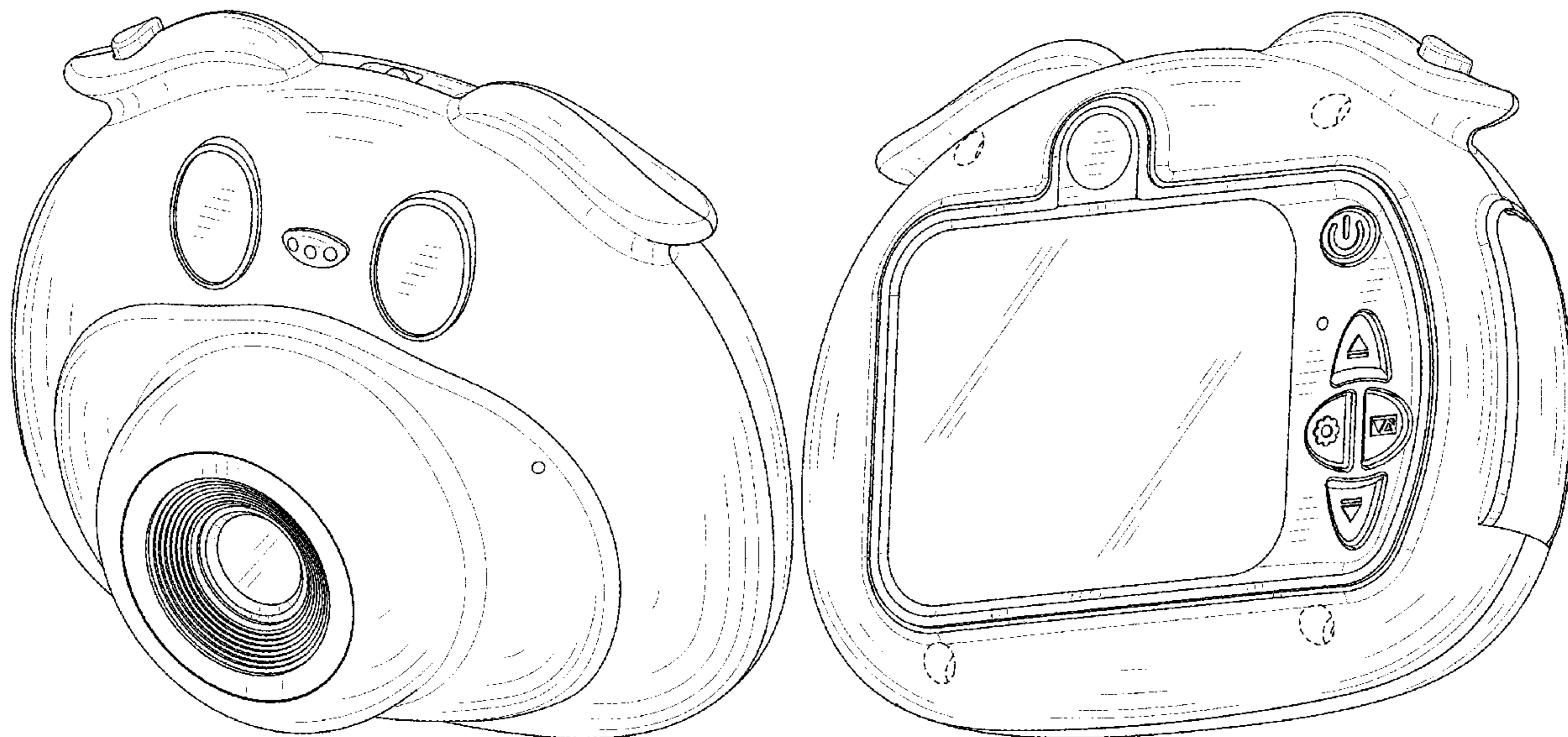
(57) **CLAIM**

The ornamental design for a camera, as shown and described.

DESCRIPTION

FIG. 1 is a top, front and right side perspective view of a camera showing my new design;
FIG. 2 is a bottom, rear and left side perspective view thereof;
FIG. 3 is a front elevational view thereof;
FIG. 4 is a rear elevational view thereof;
FIG. 5 is a left side elevational view thereof;
FIG. 6 is a right side elevational view thereof;
FIG. 7 is a top plan view thereof; and,
FIG. 8 is a bottom plan view thereof.
The broken lines depict portions of the camera that form no part of the claimed design.

1 Claim, 8 Drawing Sheets



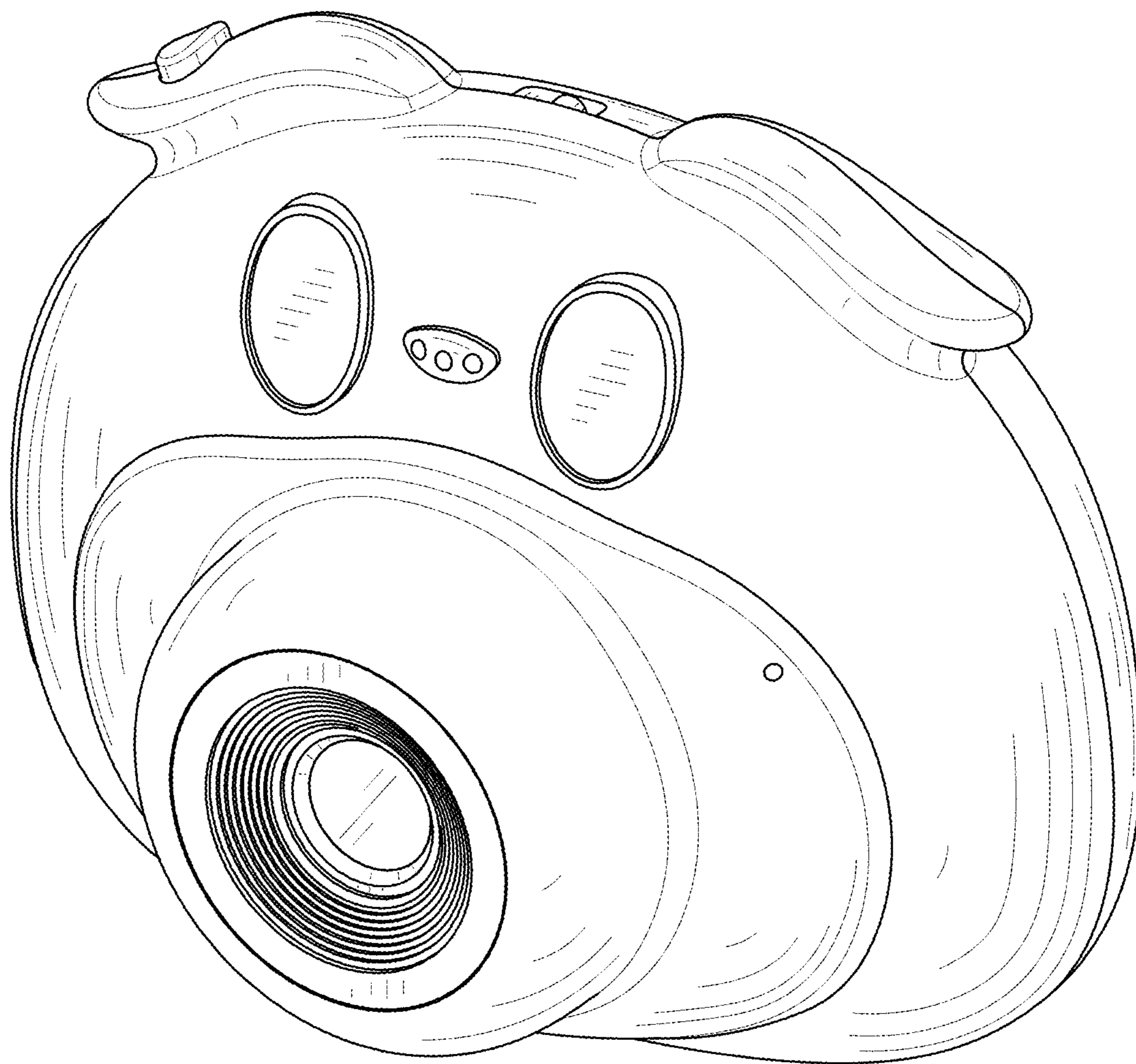


FIG. 1



FIG. 2

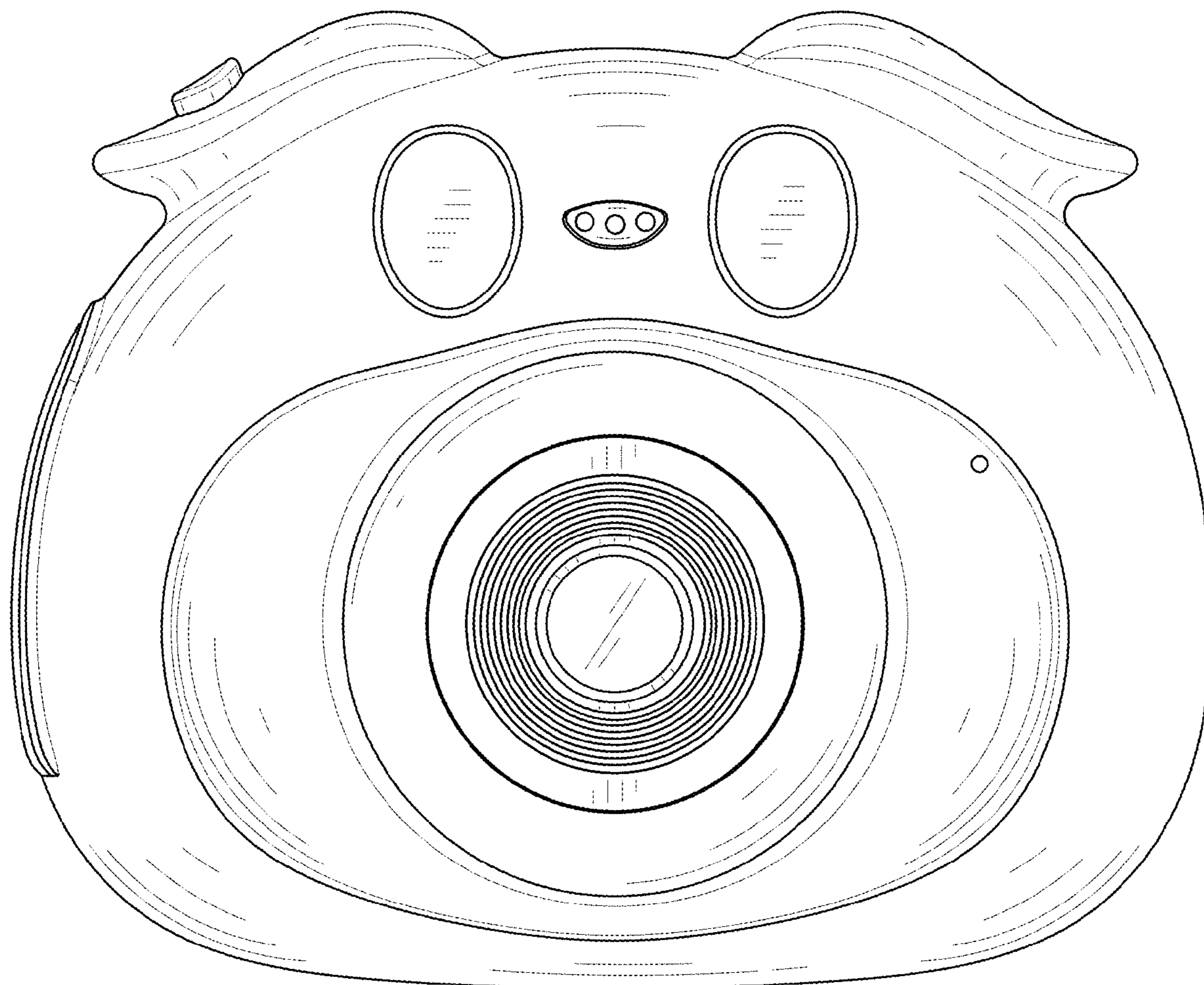


FIG. 3

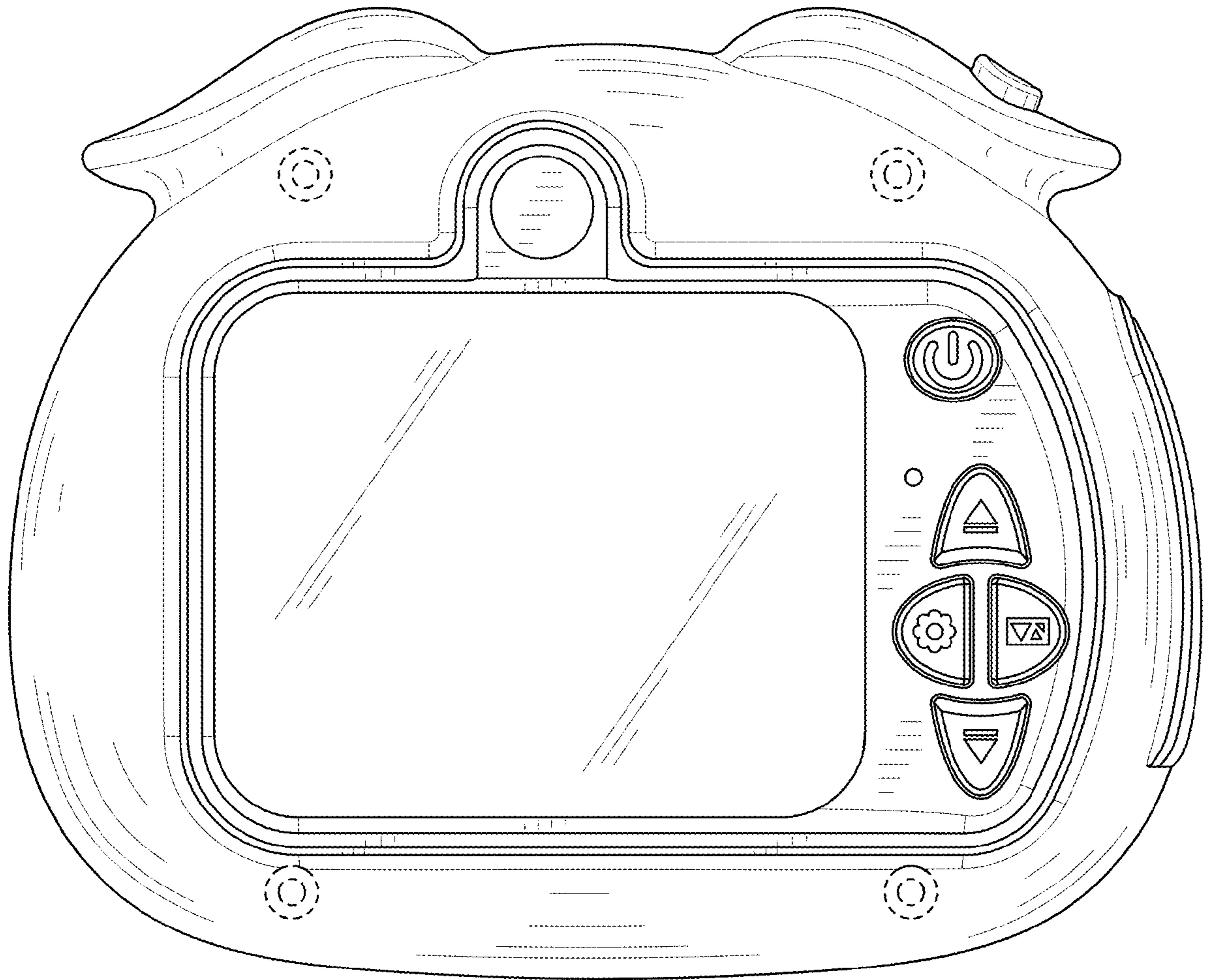


FIG. 4

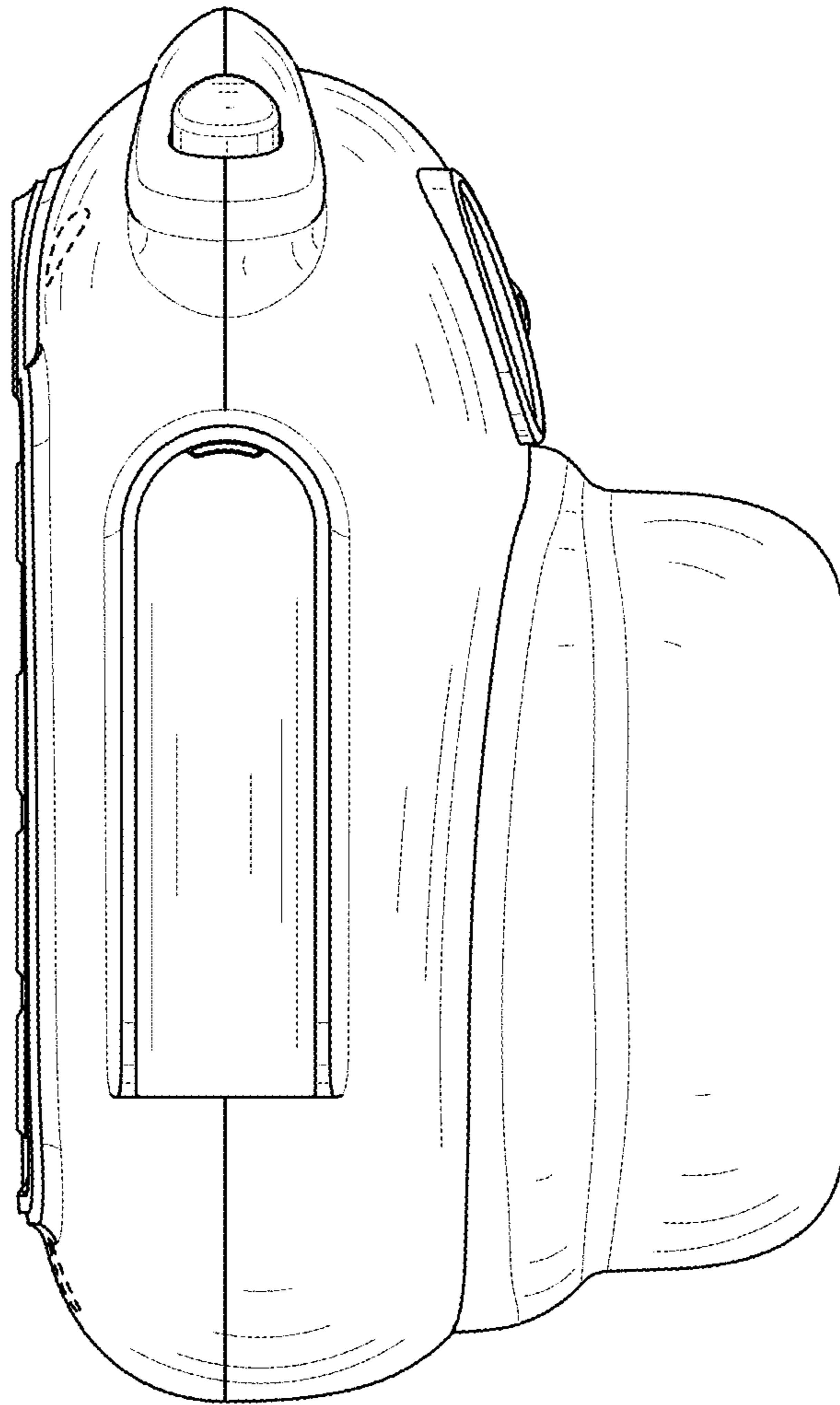


FIG. 5

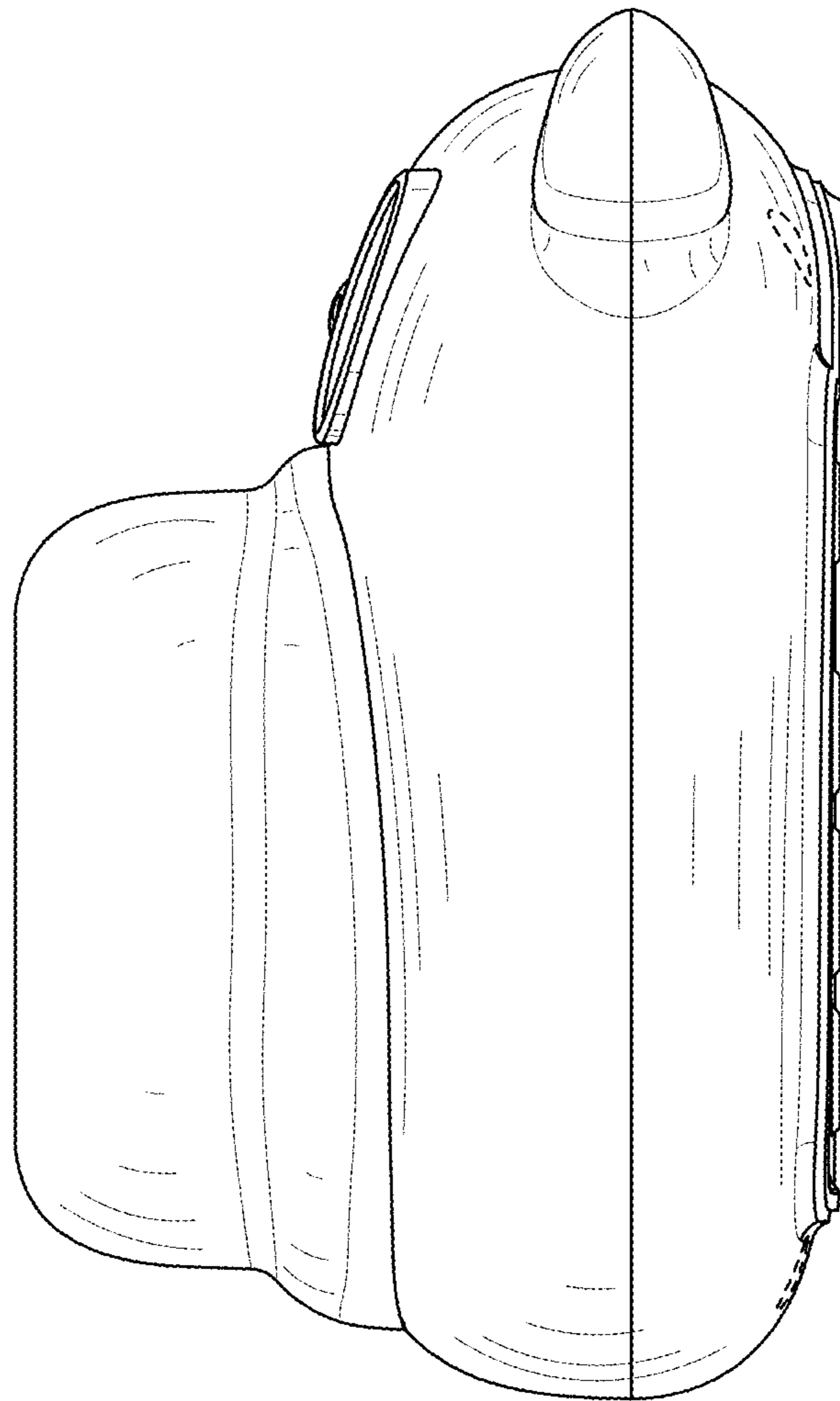


FIG. 6

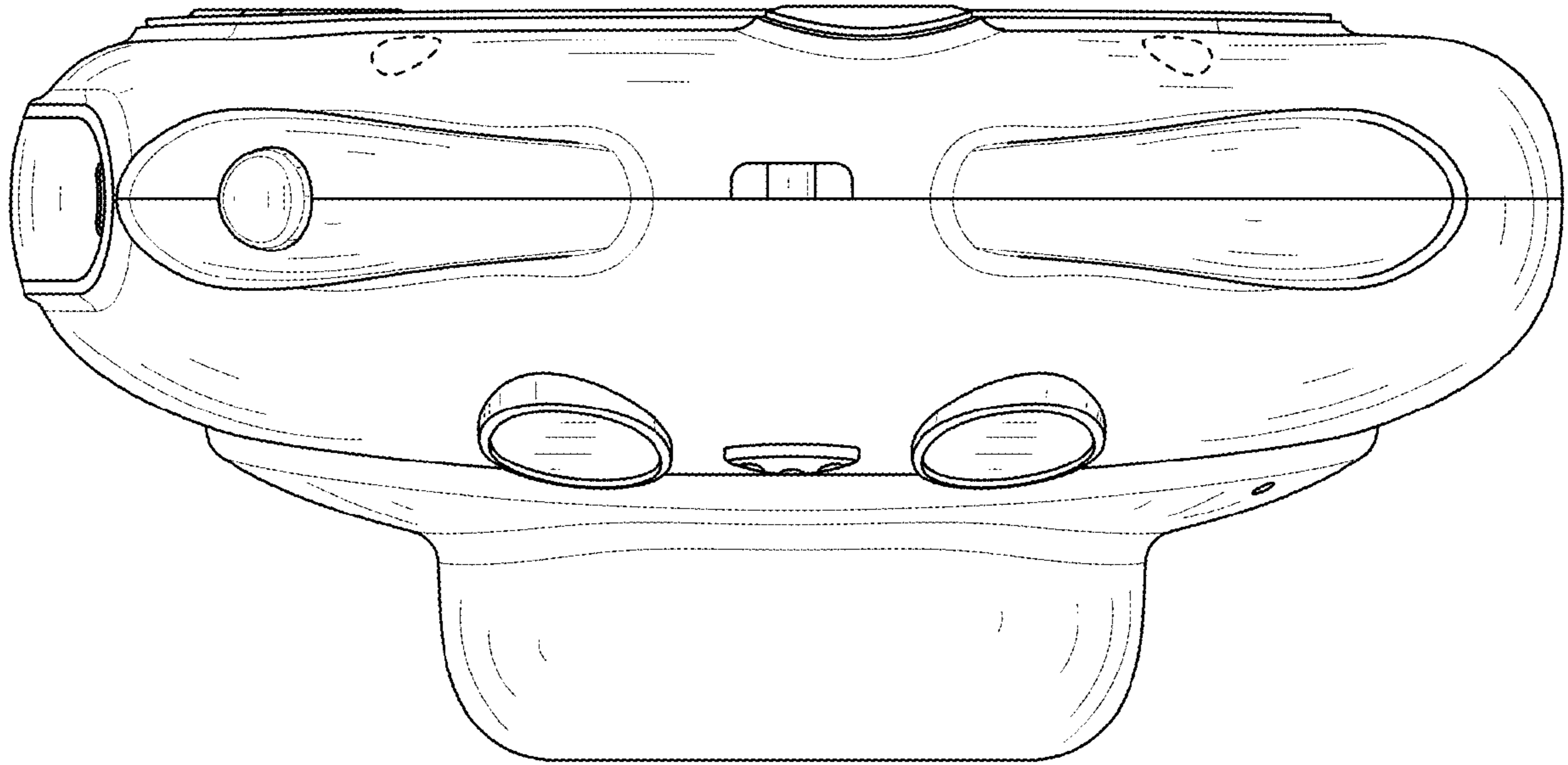


FIG. 7

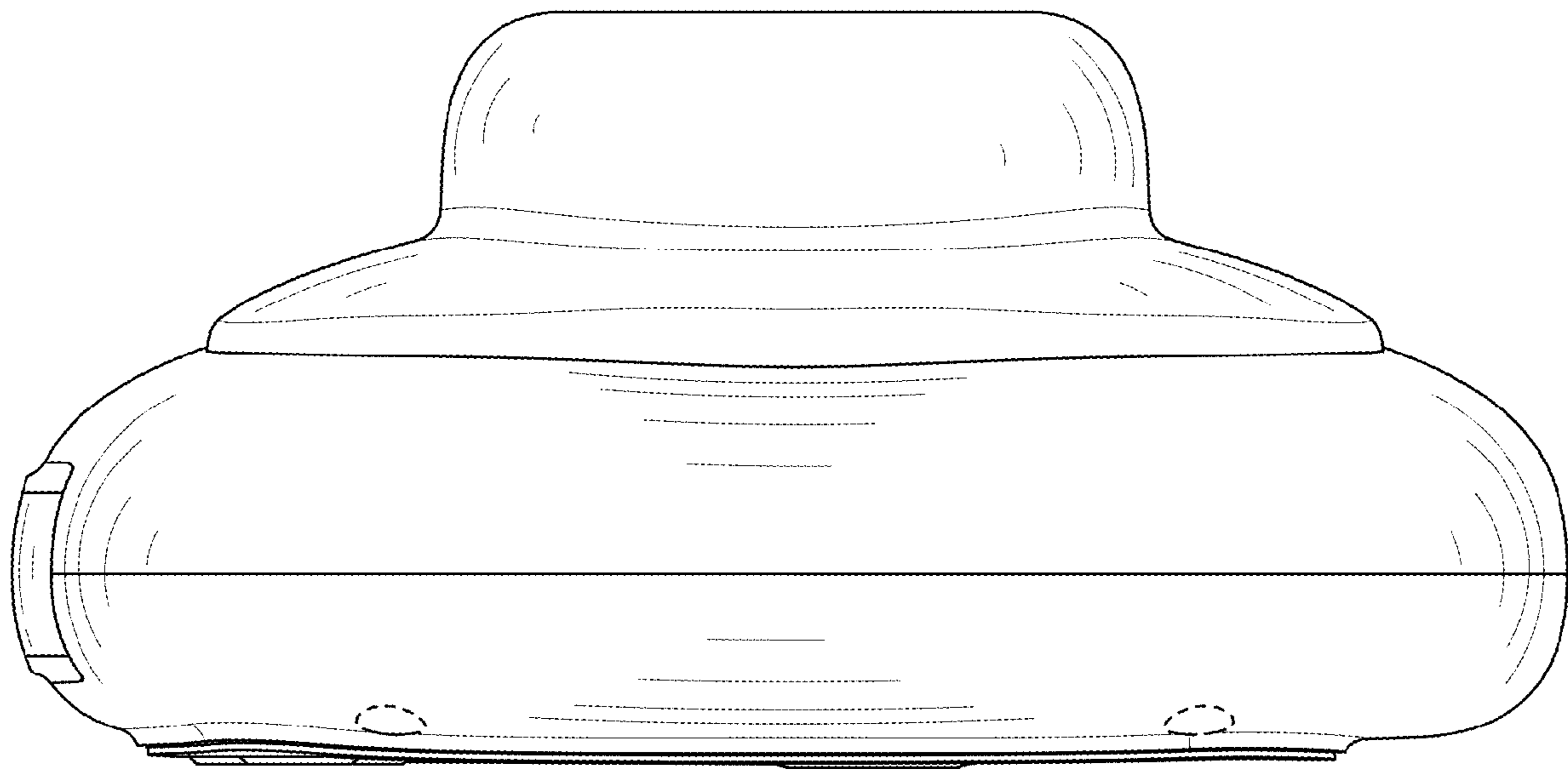


FIG. 8