



US00D971977S

(12) **United States Design Patent**
Deng

(10) **Patent No.:** **US D971,977 S**
(45) **Date of Patent:** **** Dec. 6, 2022**

(54) **TRAVEL MOTOR**

(71) Applicant: **Shenzhen Seauto Technology Co., Ltd.**, Shenzhen (CN)

(72) Inventor: **Zhuoming Deng**, Shenzhen (CN)

(73) Assignee: **Shenzhen Seauto Technology Co., Ltd.**, Shenzhen (CN)

(**) Term: **15 Years**

(21) Appl. No.: **29/830,312**

(22) Filed: **Mar. 11, 2022**

(51) **LOC (13) Cl.** **15-99**

(52) **U.S. Cl.**
USPC **D15/148**; D13/112

(58) **Field of Classification Search**
USPC D15/1-5, 148; D13/112-114, 122, 184
CPC B60L 9/00; B60L 9/02; B60L 9/16; B60L 9/32; B60L 9/005; B60L 1/00; B60L 58/12; B60L 15/2054; H02K 5/22; H02K 5/18; H02K 11/00; H02K 15/00; H02K 15/14; H02K 15/16; H02K 19/06; H02K 9/00; H02K 3/50; H02K 1/16; H02K 5/161

See application file for complete search history.

(56) **References Cited**

U.S. PATENT DOCUMENTS

D283,325 S *	4/1986	Dickson	D15/4
D573,091 S *	7/2008	Shih	D13/112
D601,958 S *	10/2009	Huan	D13/112
D631,438 S *	1/2011	Yokoyama	D13/122
D706,304 S *	6/2014	Katada	D15/1
D785,566 S	5/2017	Du et al.		
D798,928 S *	10/2017	Ebner	D15/148
D816,031 S *	4/2018	Sakai	D13/112
D842,809 S *	3/2019	Sakai	D13/112
D842,810 S *	3/2019	Sakai	D13/112
D844,038 S *	3/2019	Alfano	D15/148

D846,011 S *	4/2019	Ishikawa	D13/158
D925,449 S	7/2021	Oishi et al.		
2019/0273414 A1 *	9/2019	Cheung	H02K 5/15

OTHER PUBLICATIONS

Hosile, Rear Electric Stabilizer Jack Motor Compatible with Lippert, (first available Oct. 9, 2021), Amazon.com, URL:<https://www.amazon.com/138445-352338-Stabilizer-K01285-C800-K01531-A800/dp/B09J2CWX6M> (Year: 2021).*

(Continued)

Primary Examiner — Calvin E Vansant

Assistant Examiner — Mark T. Philipps

(74) *Attorney, Agent, or Firm* — ScienBiziP, P.C.

(57) **CLAIM**

The ornamental design for a travel motor, as shown and described.

DESCRIPTION

FIG. 1 is a front, right and top perspective view of a travel motor, showing my design.

FIG. 2 is a rear, left and bottom perspective view thereof.

FIG. 3 is a front elevation view thereof.

FIG. 4 is a rear elevation view thereof.

FIG. 5 is a left side elevation view thereof.

FIG. 6 is a right side elevation view thereof.

FIG. 7 is a top plan view thereof.

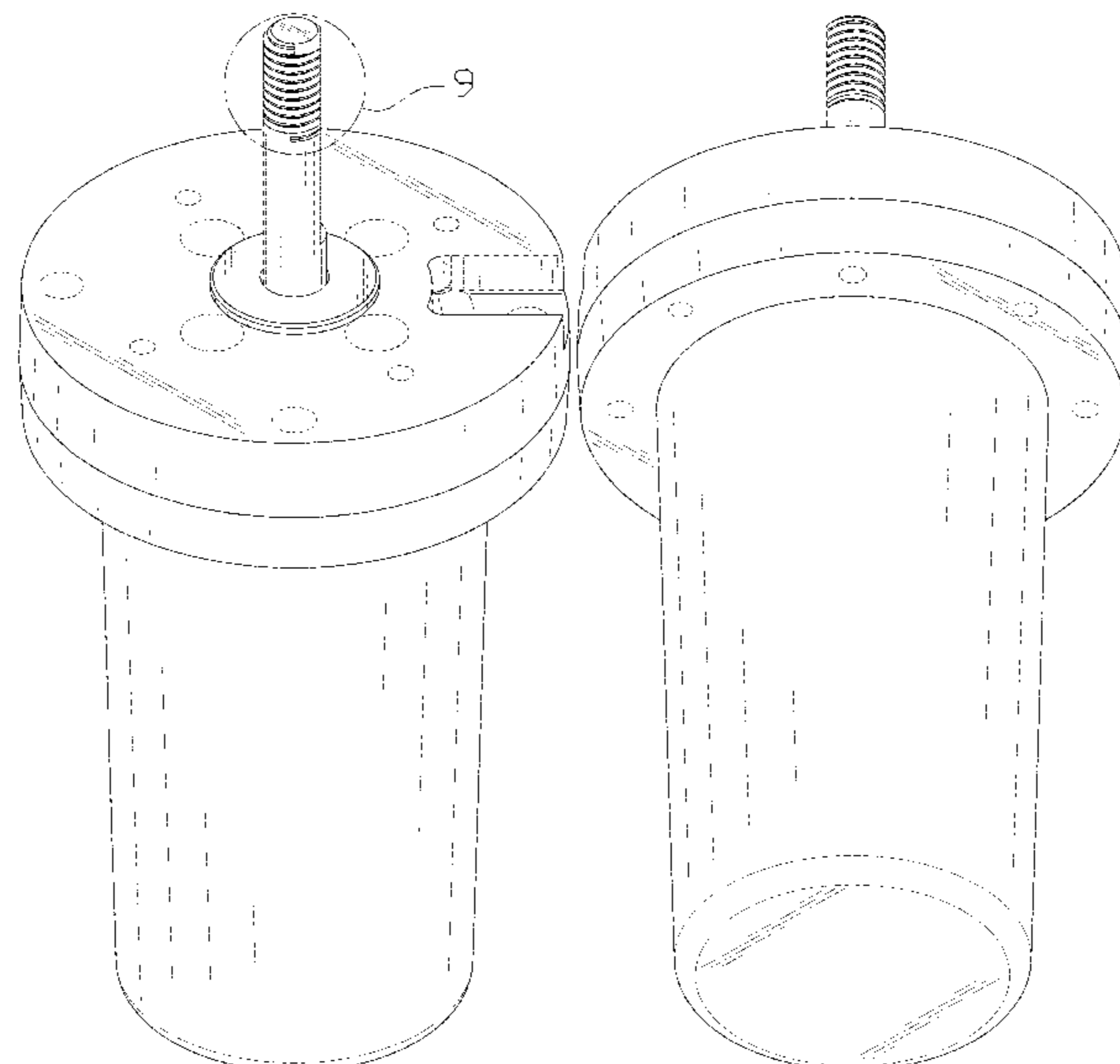
FIG. 8 is a bottom plan view thereof.

FIG. 9 is a partial enlarged view of an area labeled 9 in FIG. 1 comprising a screw rod; and,

FIG. 10 is a partial enlarged view of an area labeled 10 in FIG. 4 comprising a rear side of a screw rod.

The broken lines in the drawings depict portions of the travel motor that form no part of the claimed design. In addition, the dot-dash broken lines in the drawings illustrate enlarged portion of the design.

1 Claim, 10 Drawing Sheets



(56)

References Cited

OTHER PUBLICATIONS

Aqua-Shield US Electric Motor, AST125 | 1 hp 3450 RPM 56J 115/230V Swimming Pool Pump Motor, (site visited Sep. 27, 2022), Electric Motor Warehouse website, URL:<<https://electricmotorwarehouse.com/1-hp-3450-rpm-56j-115-230v-swimming-pool-pump-motor-us-electric-motor-ast125/>> (Year: 2022).*

Retafe, 60RPM Reducer Motor Dual Bearing Synchronous Gear AC Motor, (first available Aug. 11, 2019), Amazon.com, URL:<<https://www.amazon.com/Reducer-Bearing-Synchronous-Control-60KTYZ/dp/B08BG6NLS1>> (Year: 2019).*

* cited by examiner

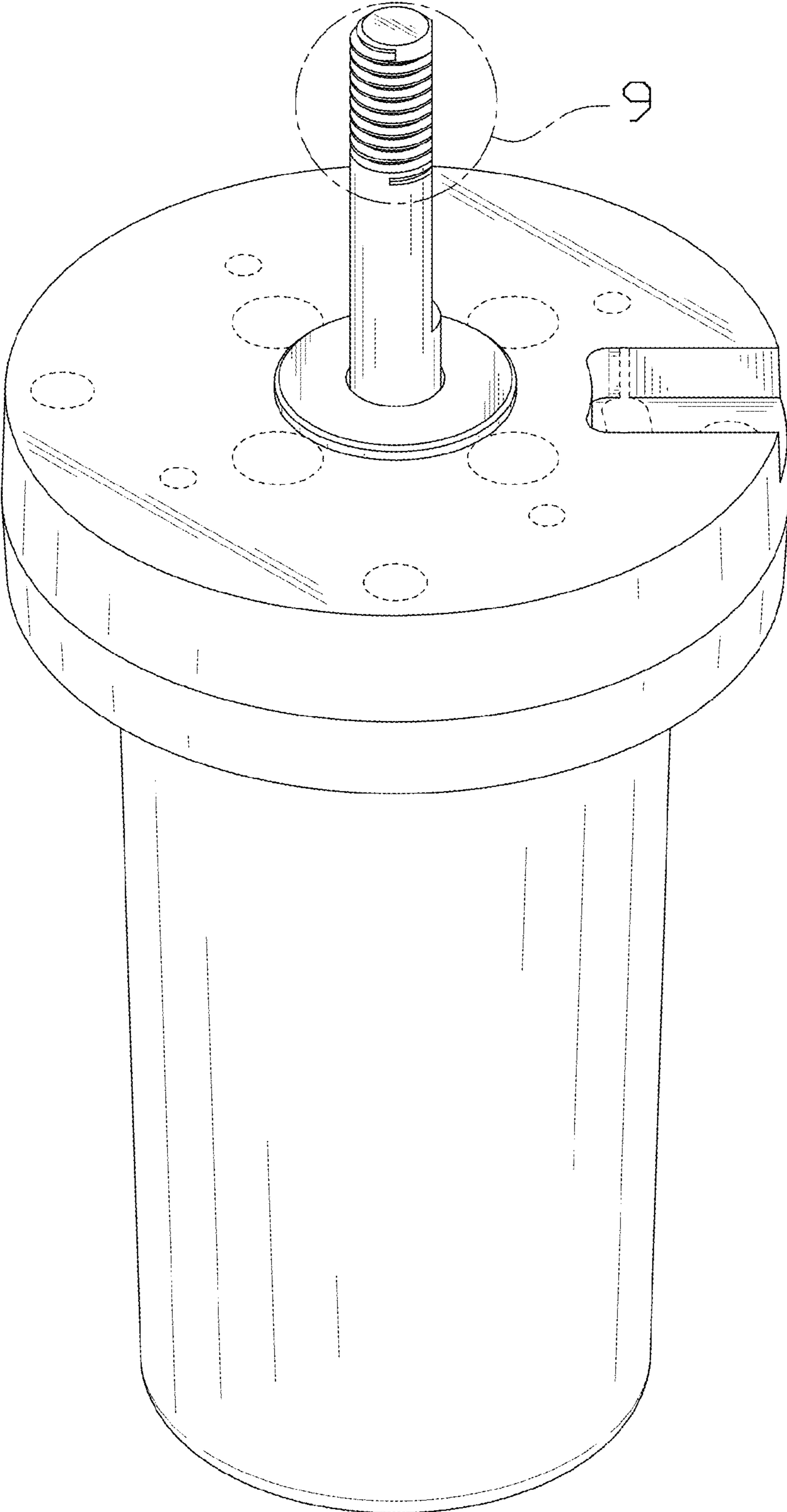


FIG. 1

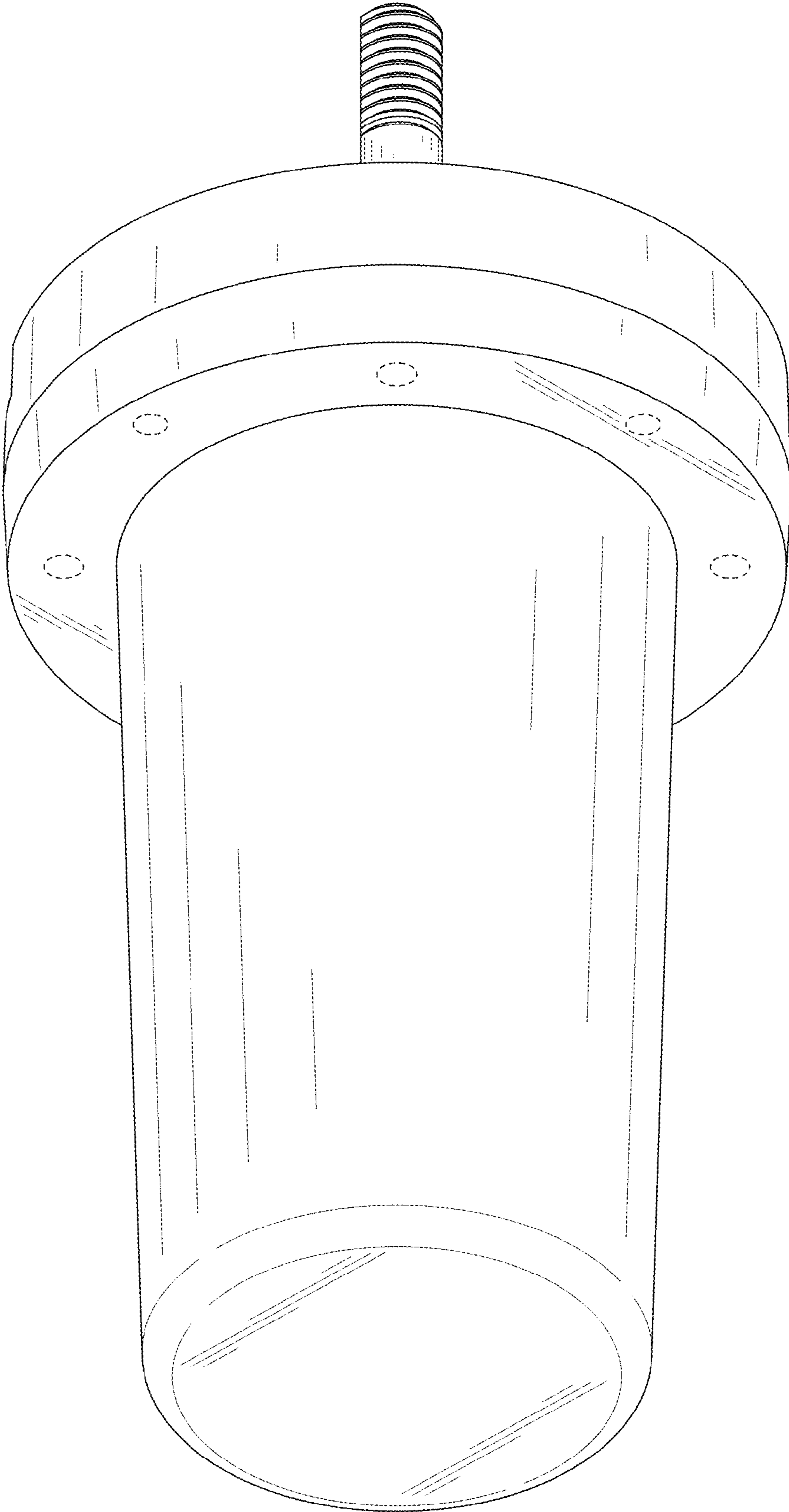


FIG. 2

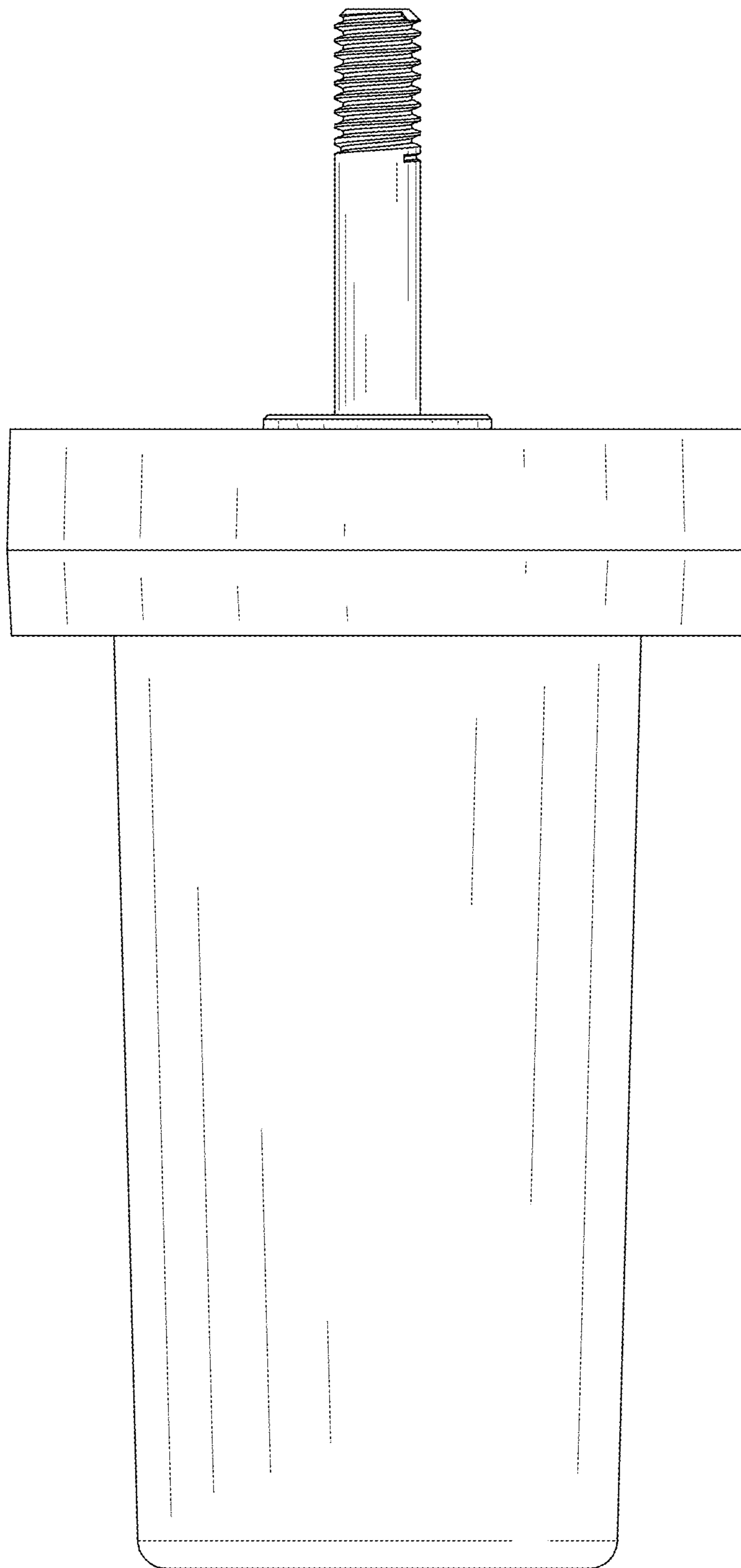


FIG. 3

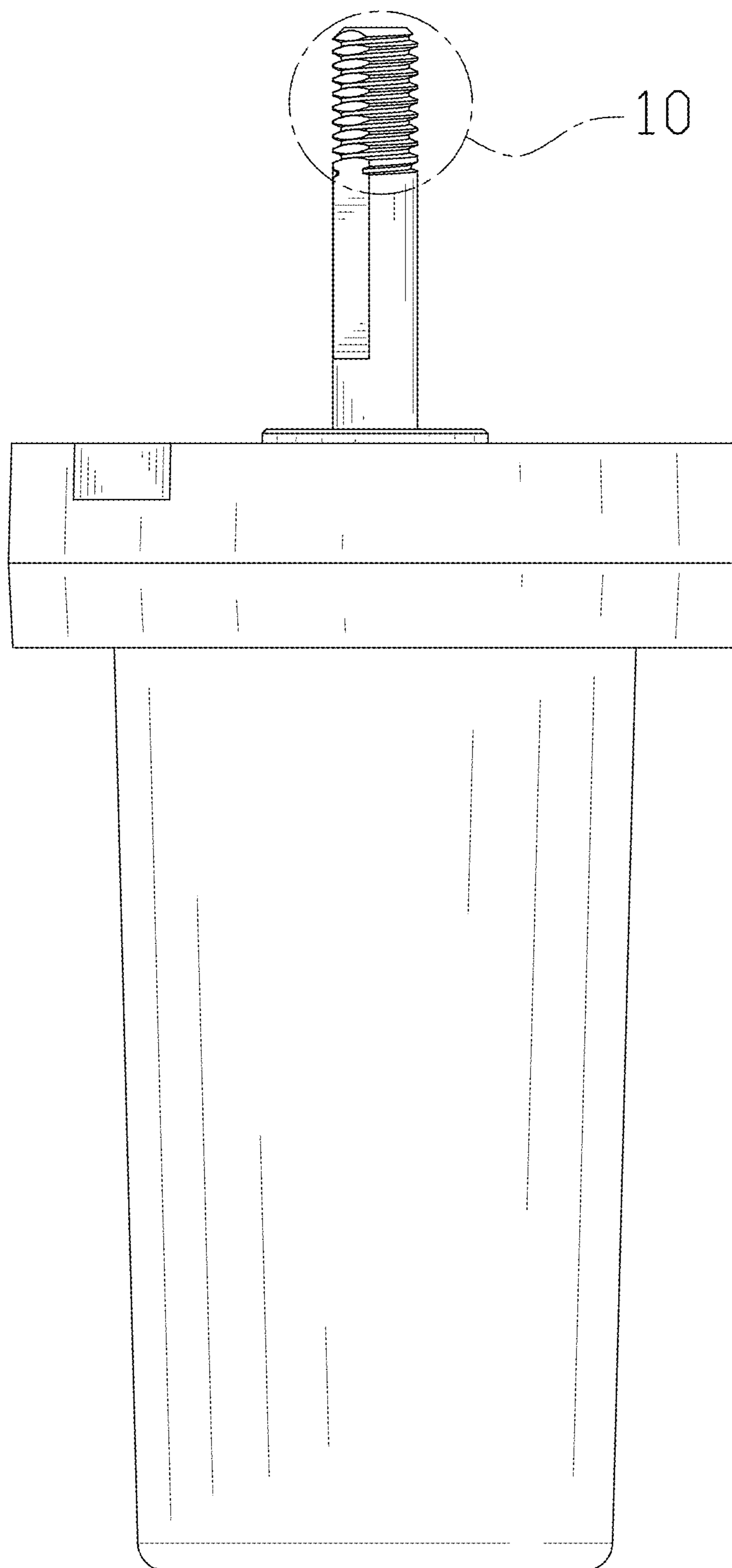


FIG. 4

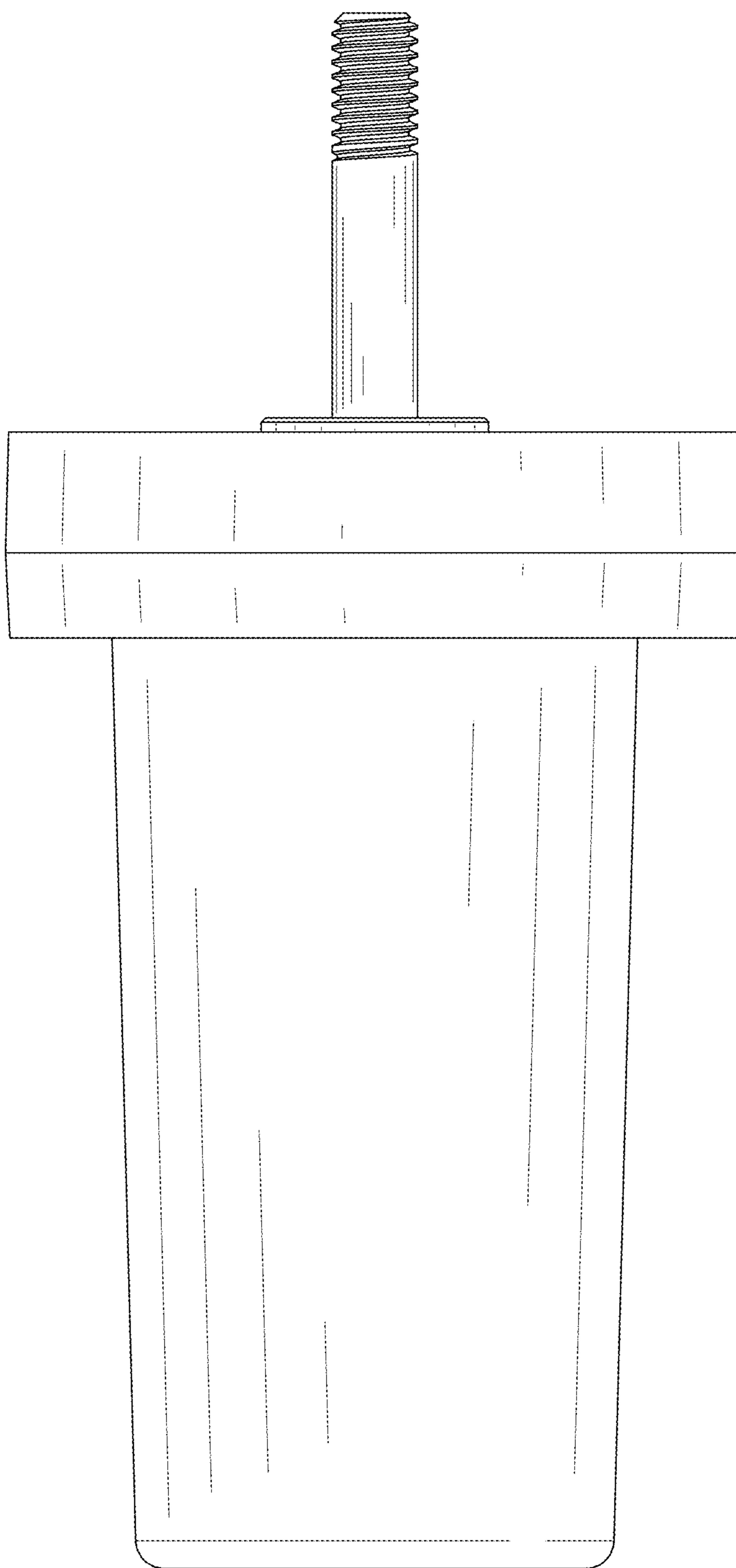


FIG. 5

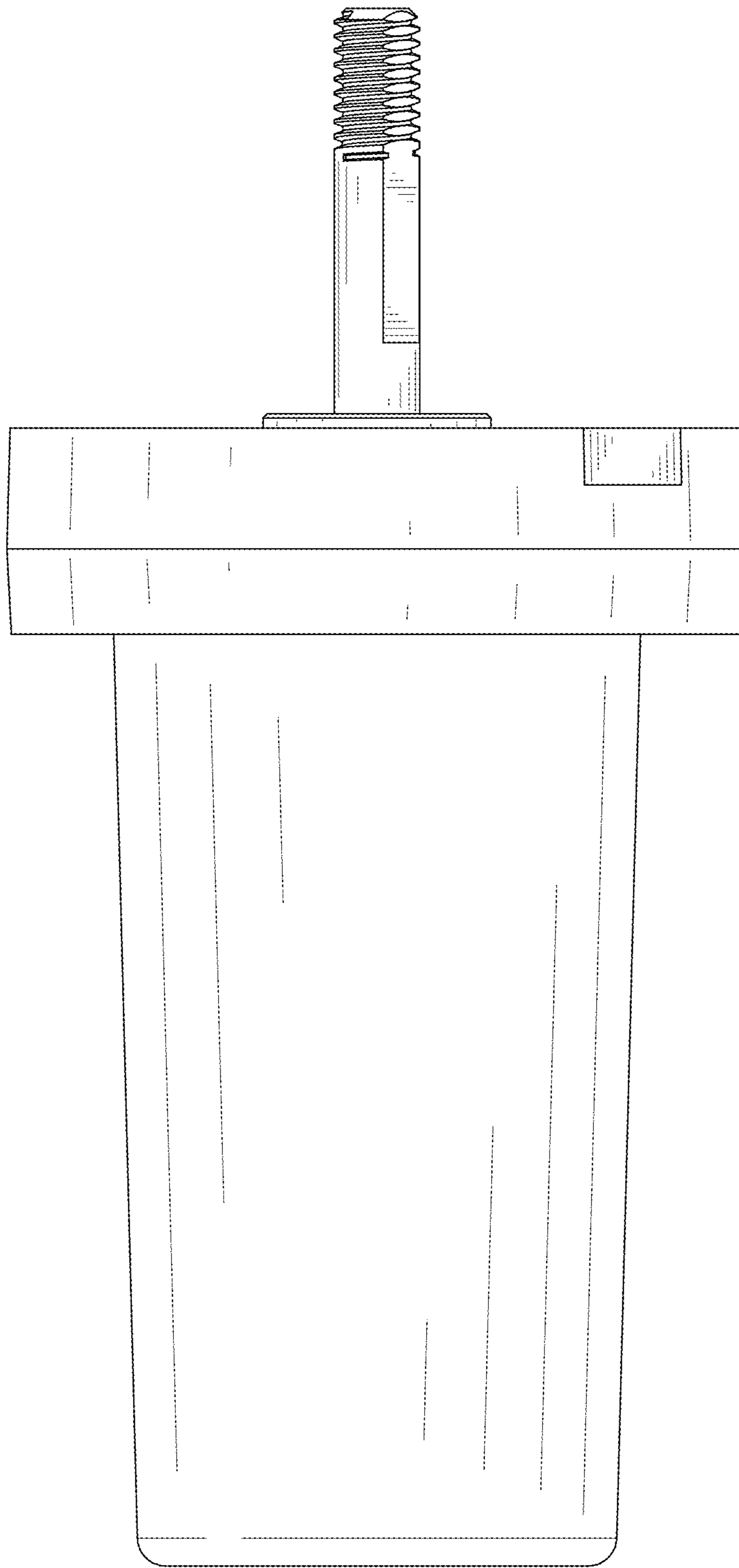


FIG. 6

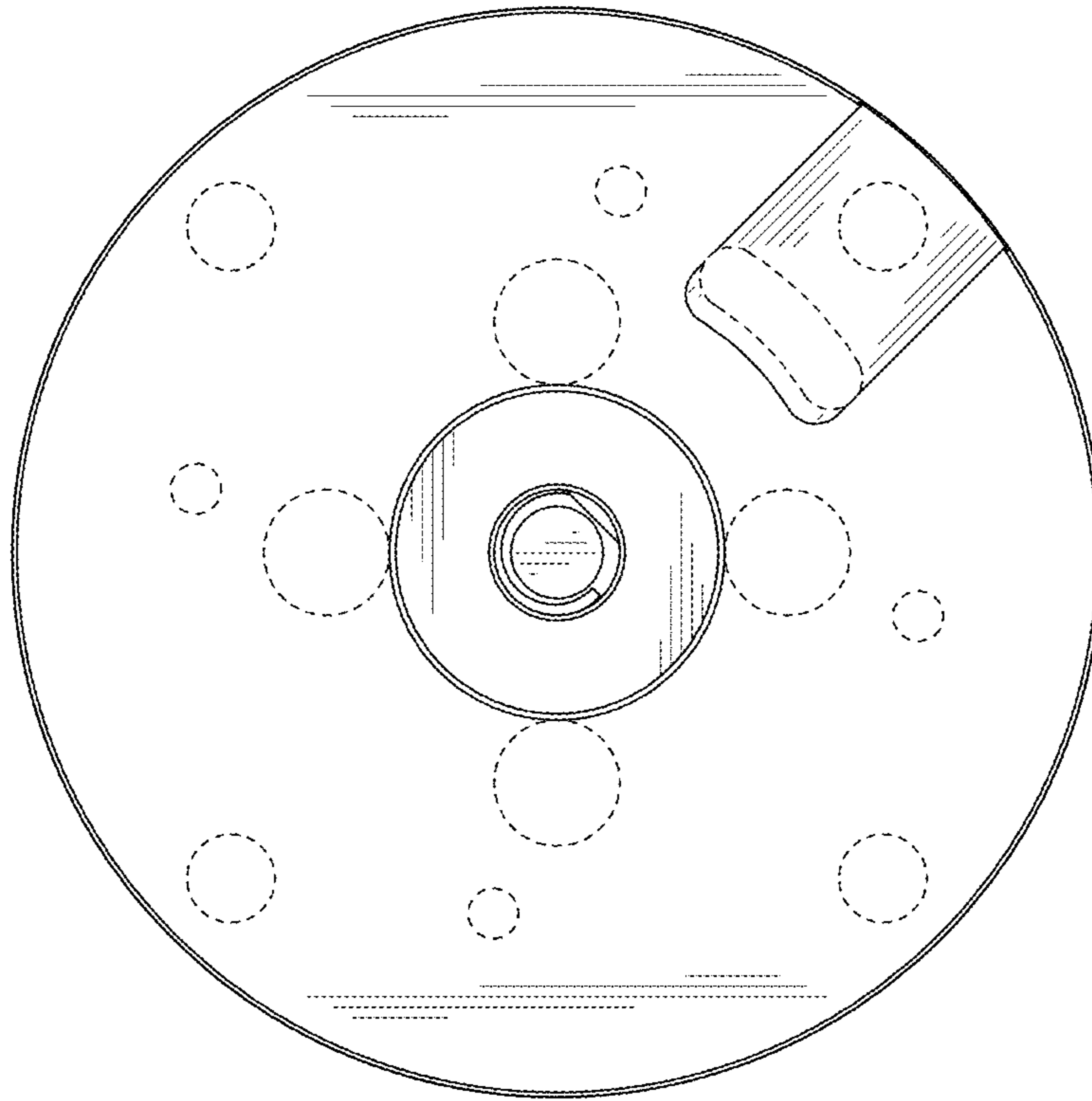


FIG. 7

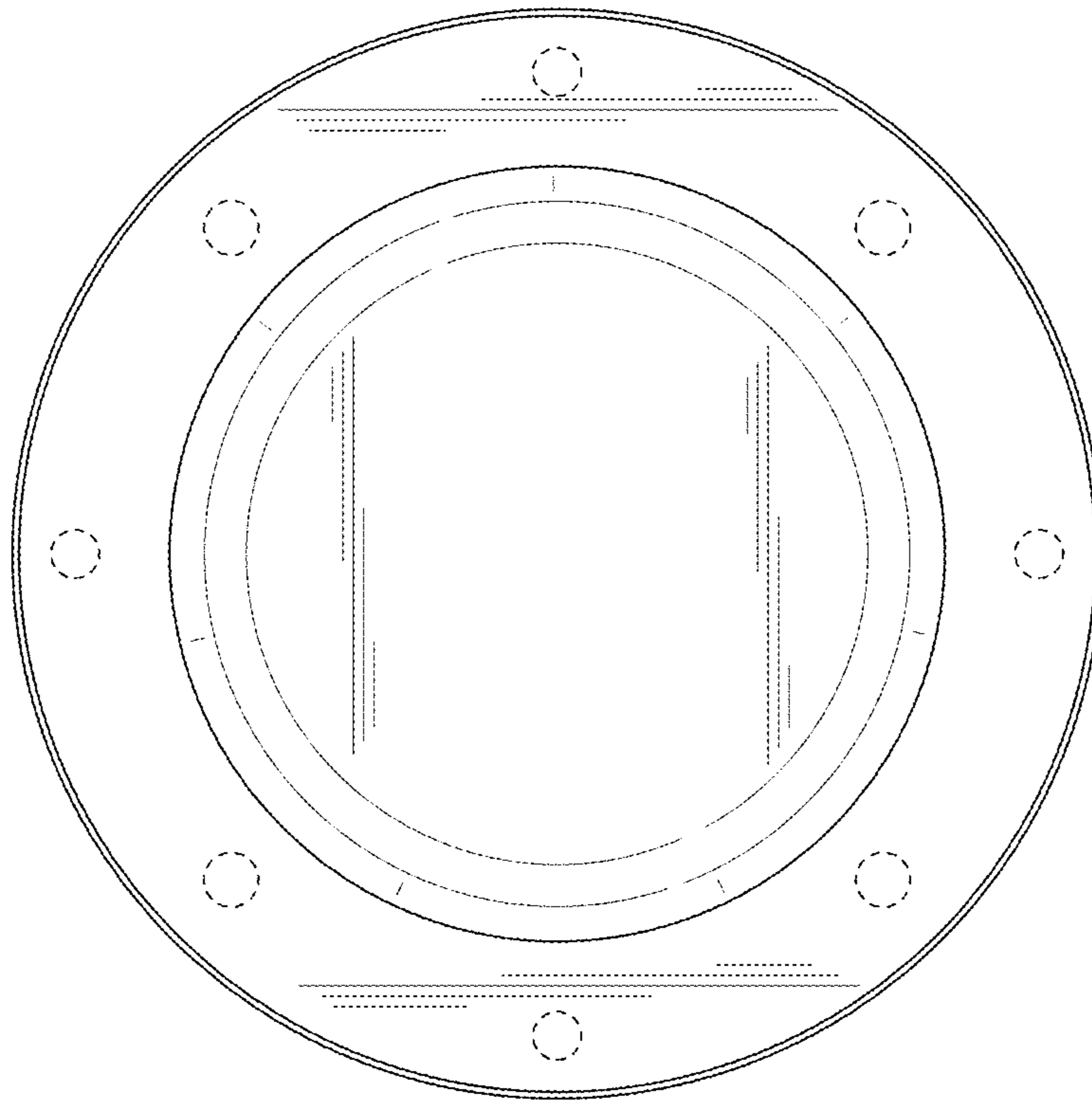


FIG. 8

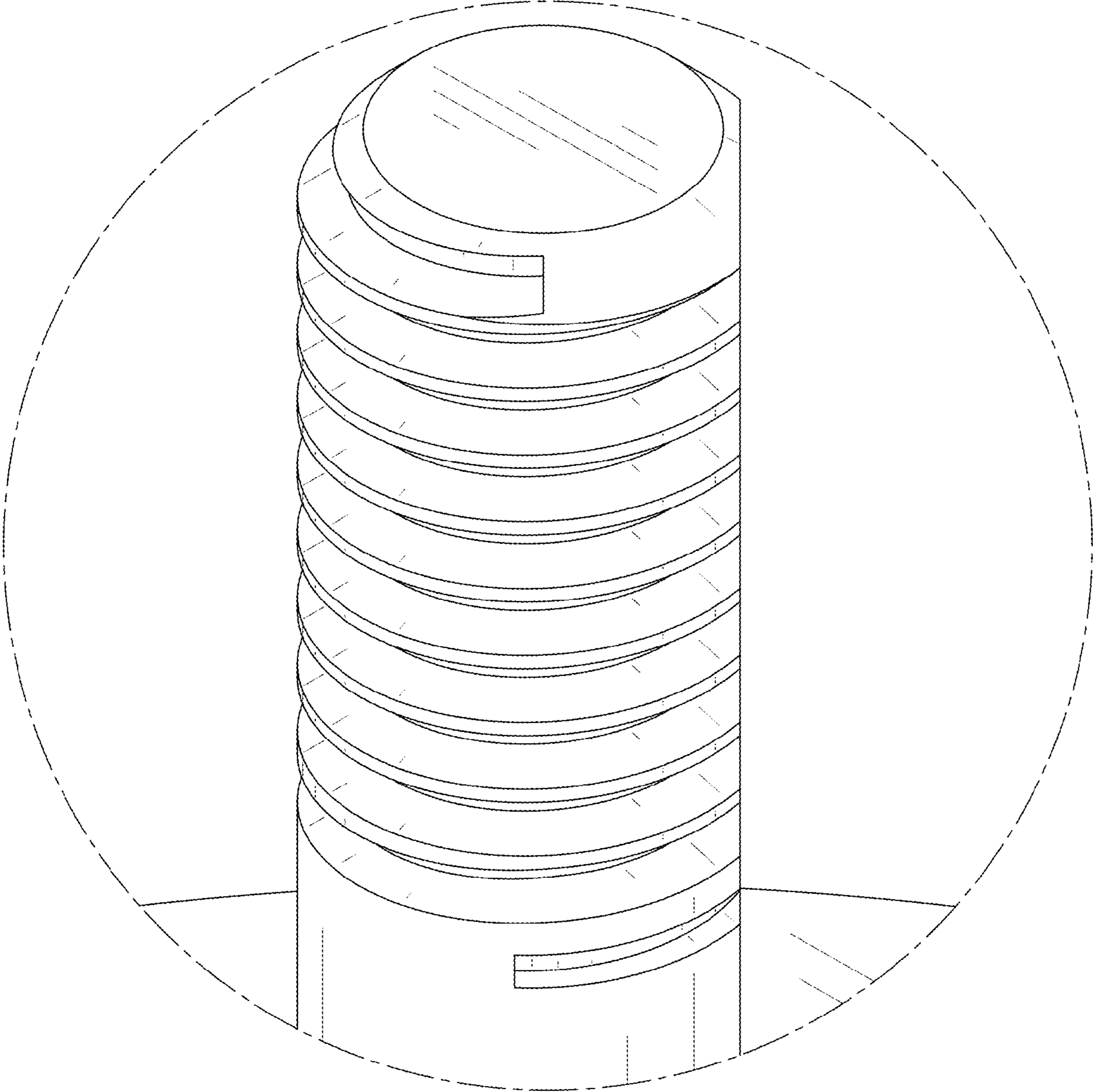


FIG. 9

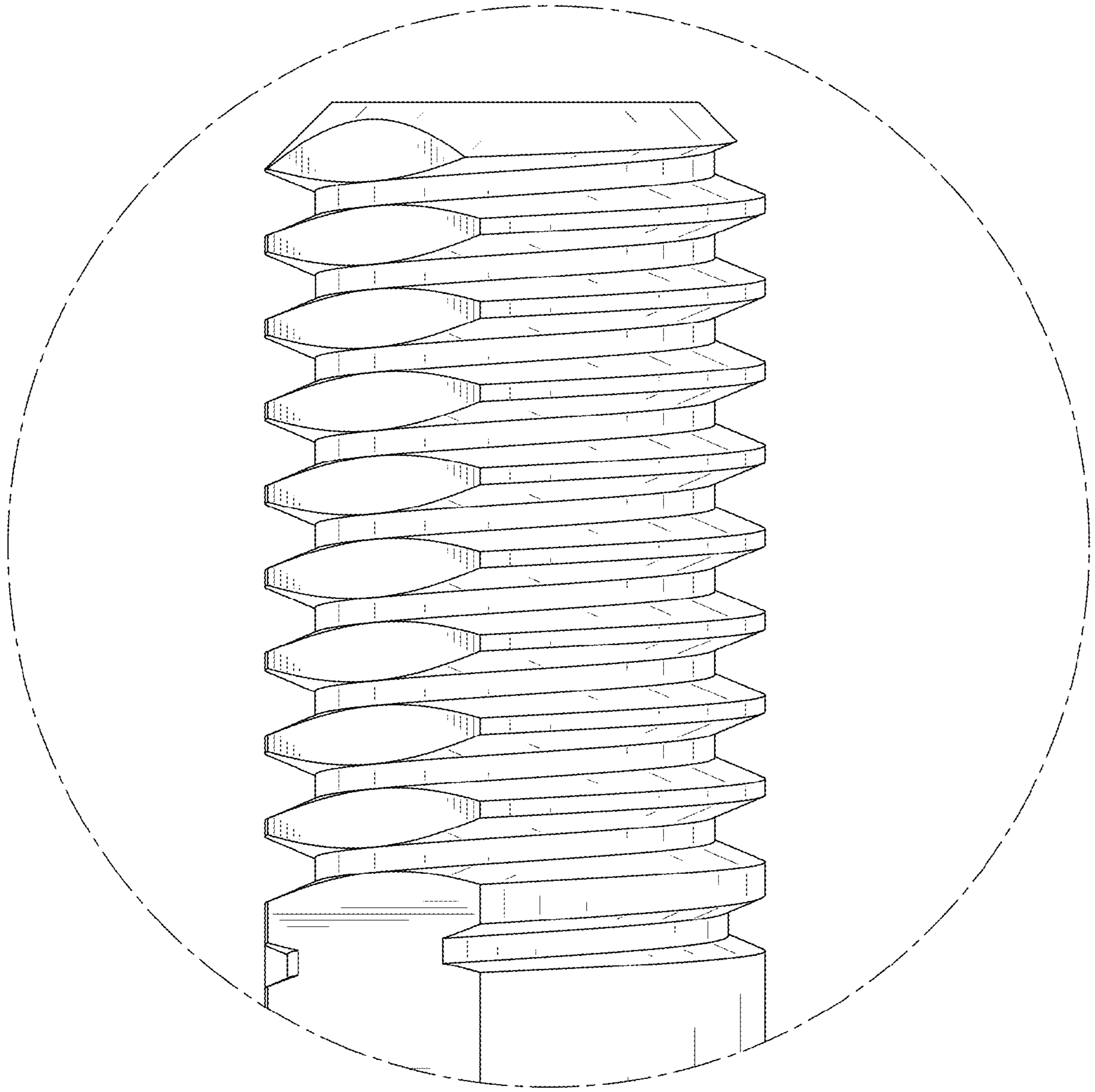


FIG. 10