



US00D971975S

(12) **United States Design Patent** (10) **Patent No.:** **US D971,975 S**
Yun et al. (45) **Date of Patent:** **** Dec. 6, 2022**

(54) **ACTUATOR FOR ROBOT**
(71) Applicant: **ROBOTIS CO., LTD.**, Seoul (KR)
(72) Inventors: **Ung Kwon Yun**, Seoul (KR); **Byoung Soo Kim**, Seoul (KR); **Wook Jang**, Gwangmyeong-si (KR)
(73) Assignee: **ROBOTIS CO., LTD.**, Seoul (KR)
(**) Term: **15 Years**
(21) Appl. No.: **29/752,922**
(22) Filed: **Sep. 29, 2020**
(30) **Foreign Application Priority Data**
Apr. 1, 2020 (KR) 30-2020-0014595
(51) **LOC (13) Cl.** **15-99**
(52) **U.S. Cl.**
USPC **D15/148**
(58) **Field of Classification Search**
USPC D13/123, 164, 174, 162, 171, 184;
D15/1-7, 143, 148, 149, 199; D24/176
CPC B64C 13/30; B64C 13/341; G05B 15/02;
F16H 61/2807
See application file for complete search history.

D703,714 S * 4/2014 Kim D15/143
D810,798 S * 2/2018 Tabuchi D15/148
D819,101 S * 5/2018 Ishikawa D15/148
D819,710 S * 6/2018 Ishikawa D15/148
D824,973 S * 8/2018 Tabuchi D15/148
D824,974 S * 8/2018 Tabuchi D15/148
D824,975 S * 8/2018 Tabuchi D15/148
D841,068 S * 2/2019 Kim D15/199
D841,705 S * 2/2019 Kobayashi
D841,706 S * 2/2019 Kobayashi
D841,713 S * 2/2019 Miyashita
D893,424 S * 8/2020 Ouyang
D900,184 S * 10/2020 Miyashita
2014/0298939 A1 * 10/2014 Kim H02K 7/116
74/411.5

* cited by examiner

Primary Examiner — Michael C Stout
Assistant Examiner — Fritzgerald L Butac
(74) *Attorney, Agent, or Firm* — Bridgeway IP Law Group, PLLC; Jihun Kim

(57) **CLAIM**

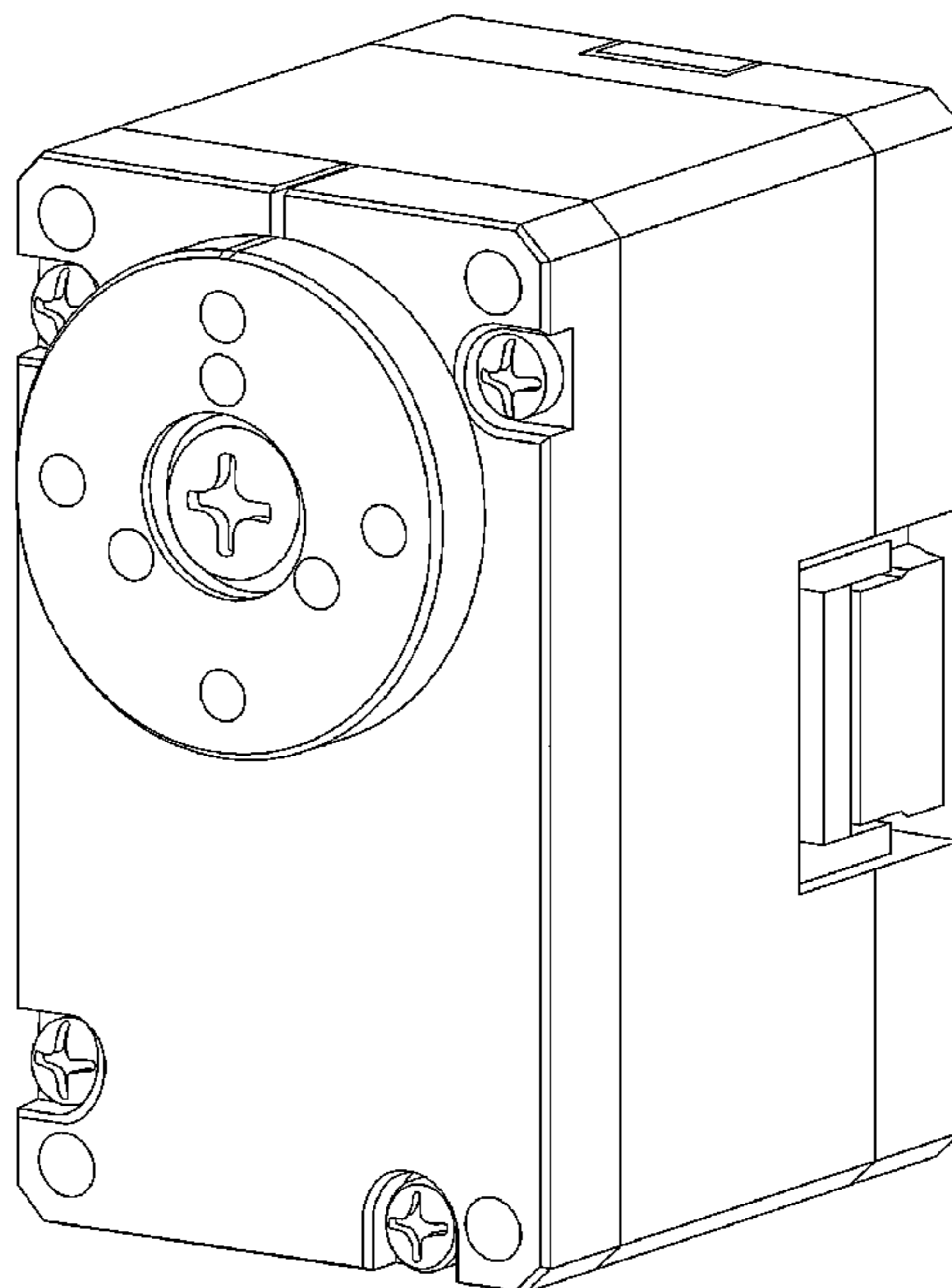
We claim the ornamental design for an actuator for robot, as shown and described.

DESCRIPTION

FIG. 1 is a perspective view of an actuator for robot, showing our new design;
FIG. 2 is a top plan view thereof;
FIG. 3 is a bottom plan view thereof;
FIG. 4 is a left side elevational view thereof;
FIG. 5 is a right side elevational view thereof;
FIG. 6 is a front elevational view thereof; and,
FIG. 7 is a rear elevational view thereof.
The broken lines show portions of the actuator for robot which form no part of the claimed design.

1 Claim, 7 Drawing Sheets

(56) **References Cited**
U.S. PATENT DOCUMENTS
D138,216 S * 7/1944 Nardone
D420,689 S * 2/2000 Lannoch D15/148
D478,603 S * 8/2003 Tsergas D15/148
D479,725 S * 9/2003 Lannoch D15/148
D491,209 S * 6/2004 Tsergas D15/148
D526,671 S * 8/2006 Hoch
D628,219 S * 11/2010 Fukano



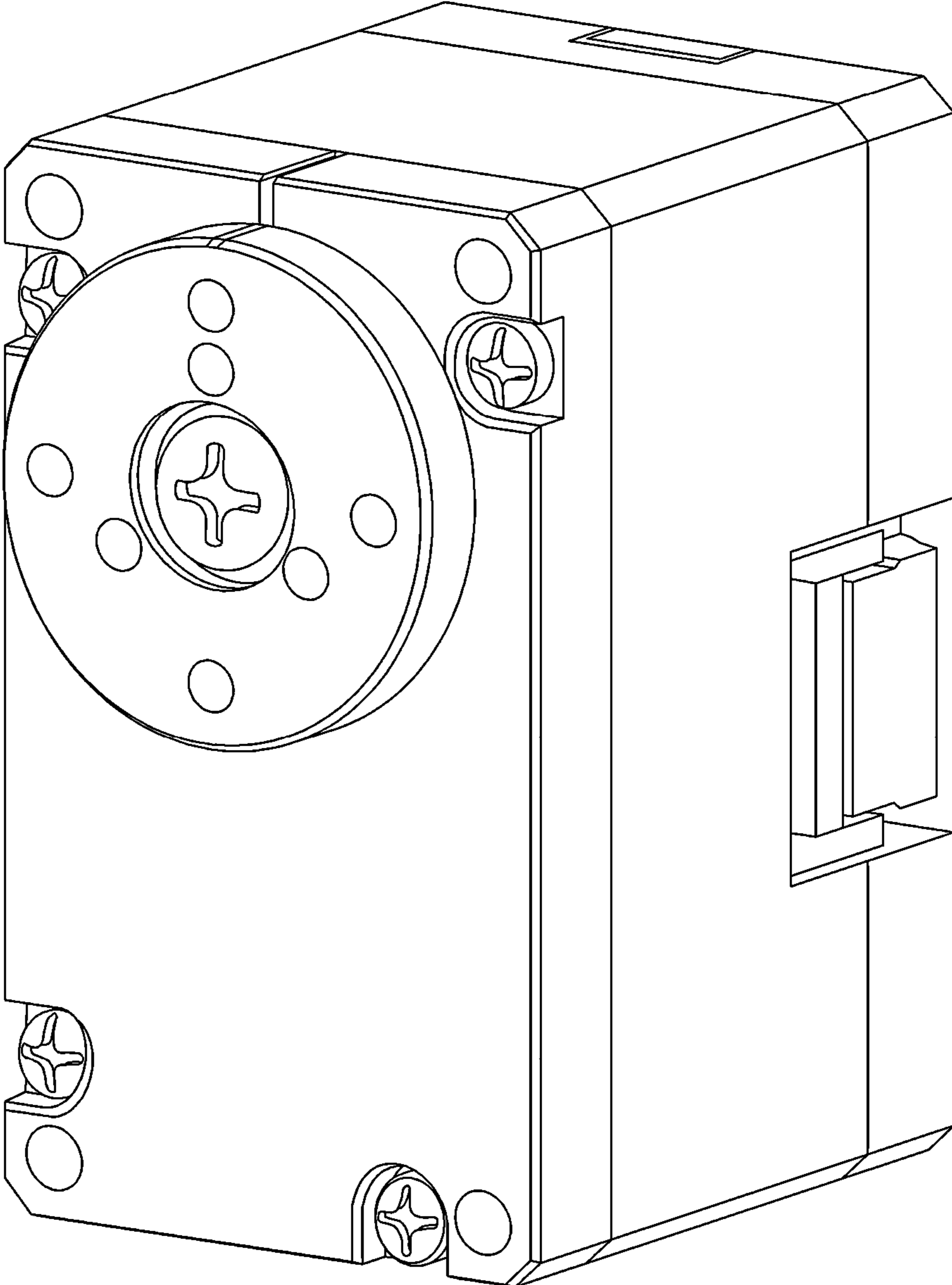


FIG. 1

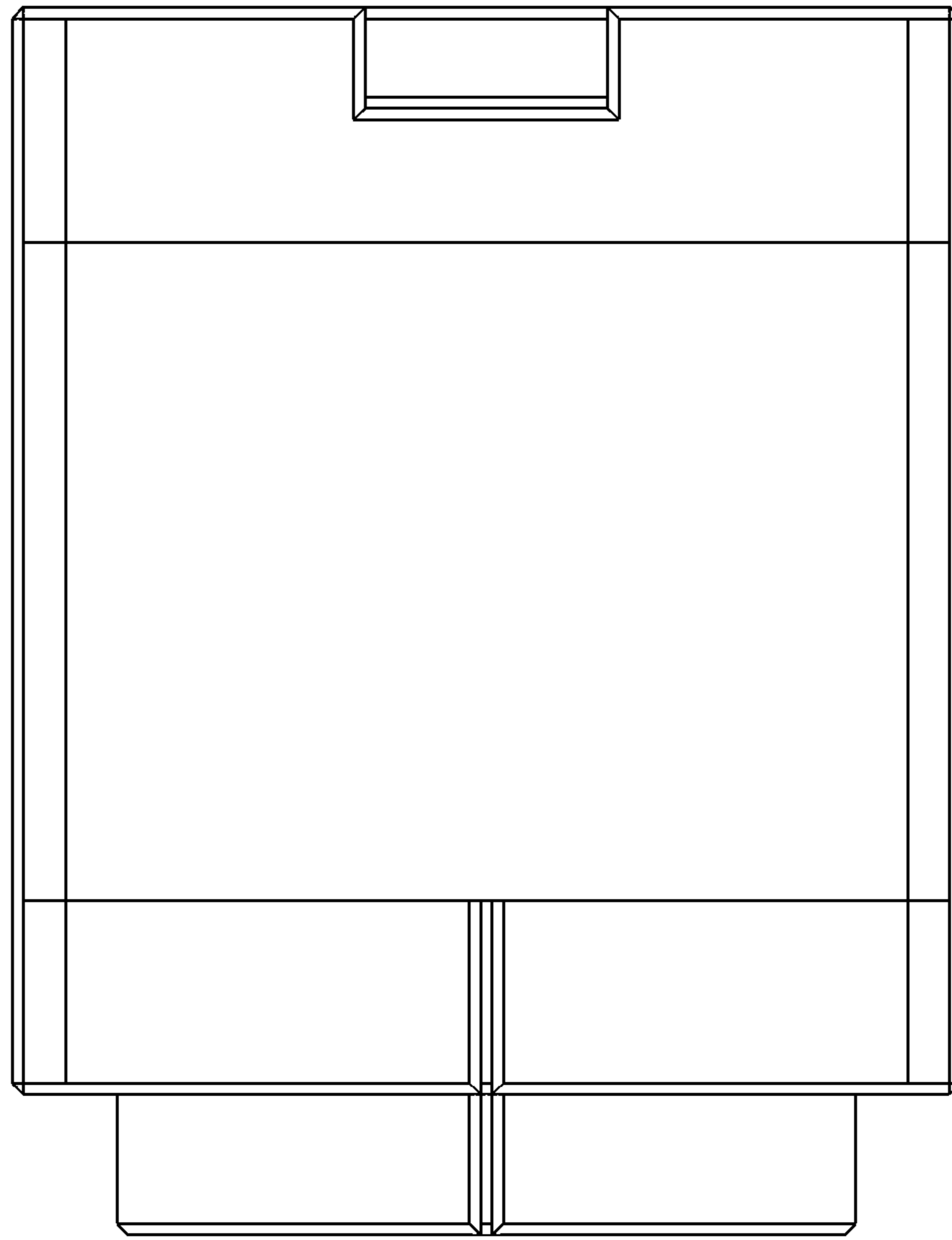


FIG. 2

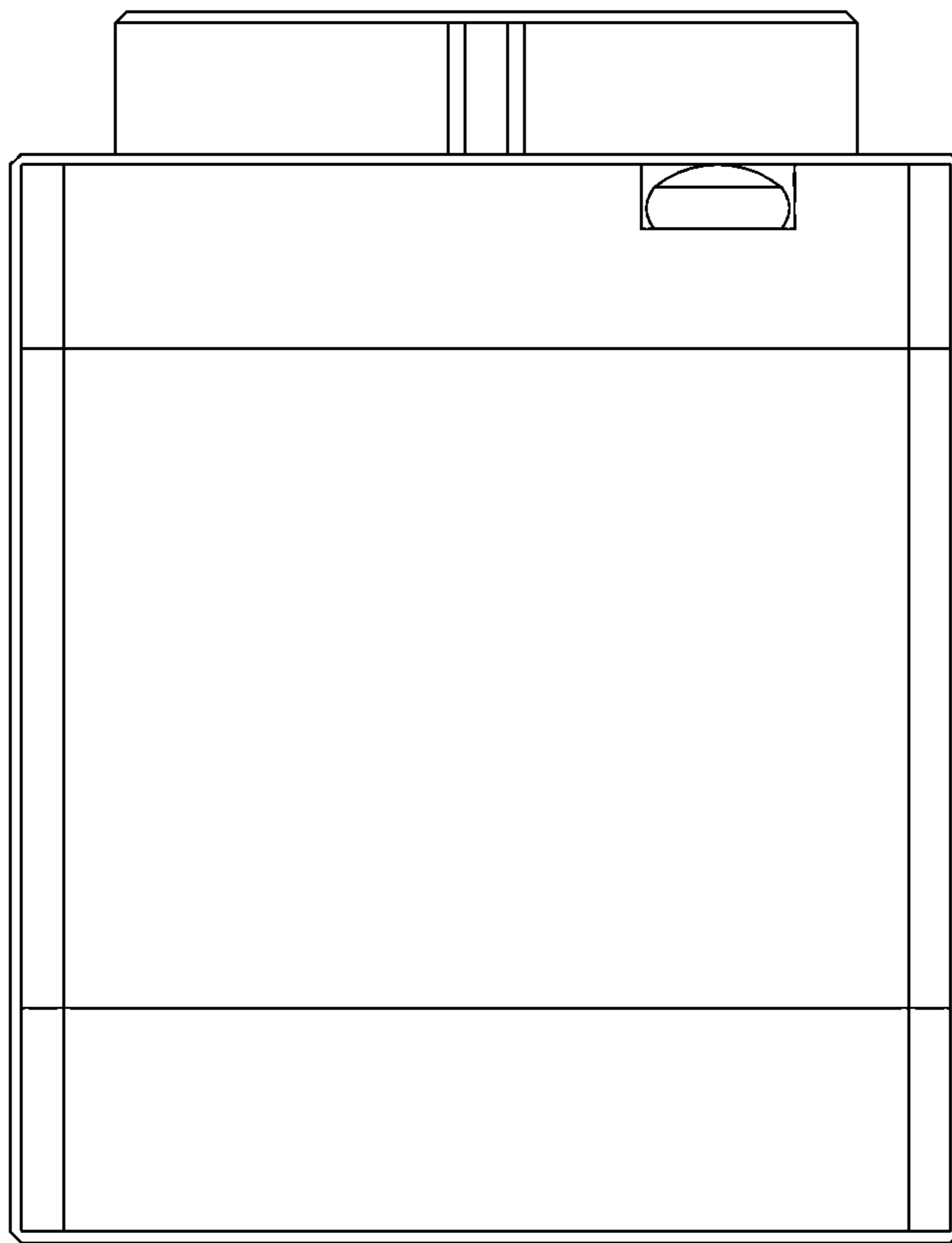


FIG. 3

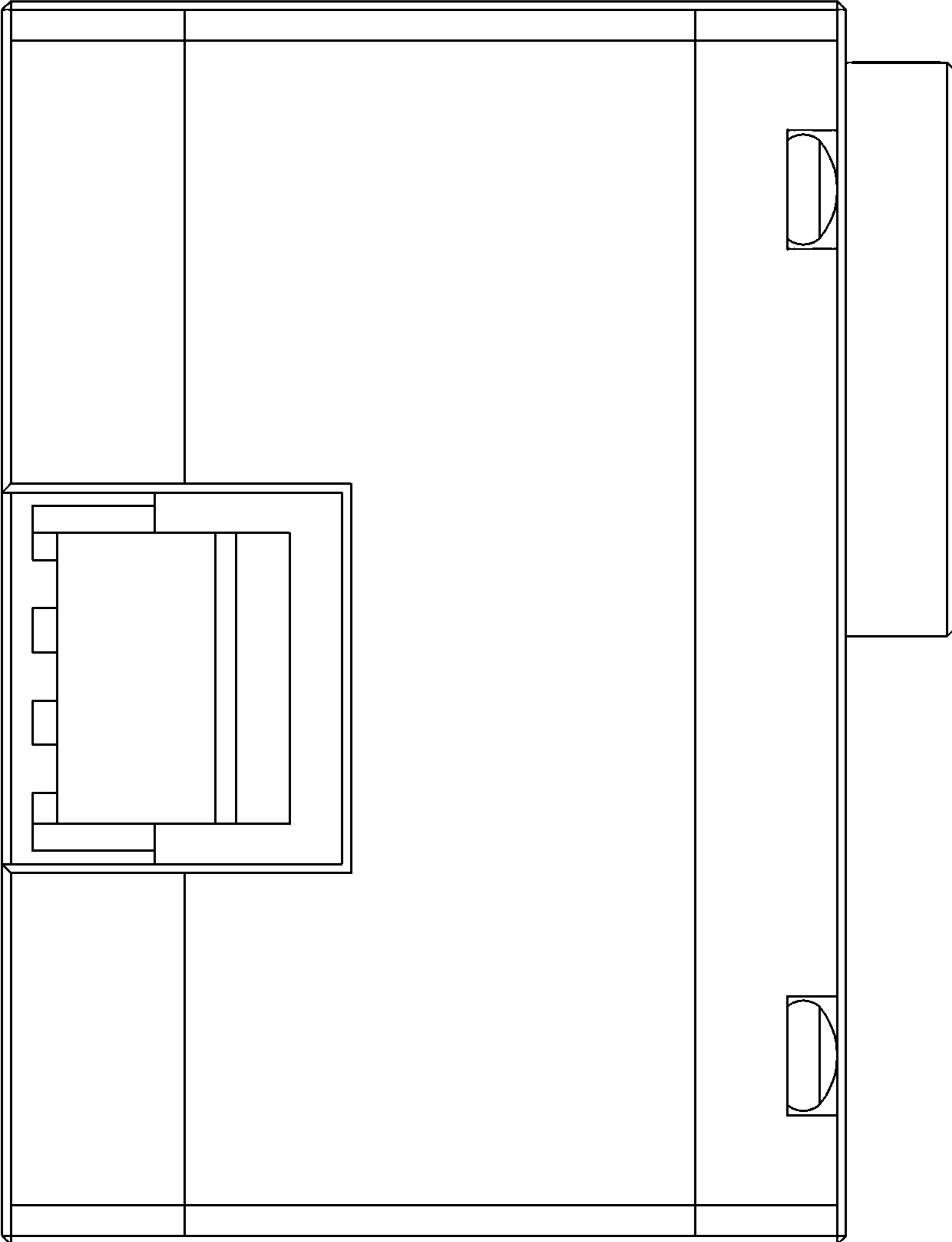


FIG. 4

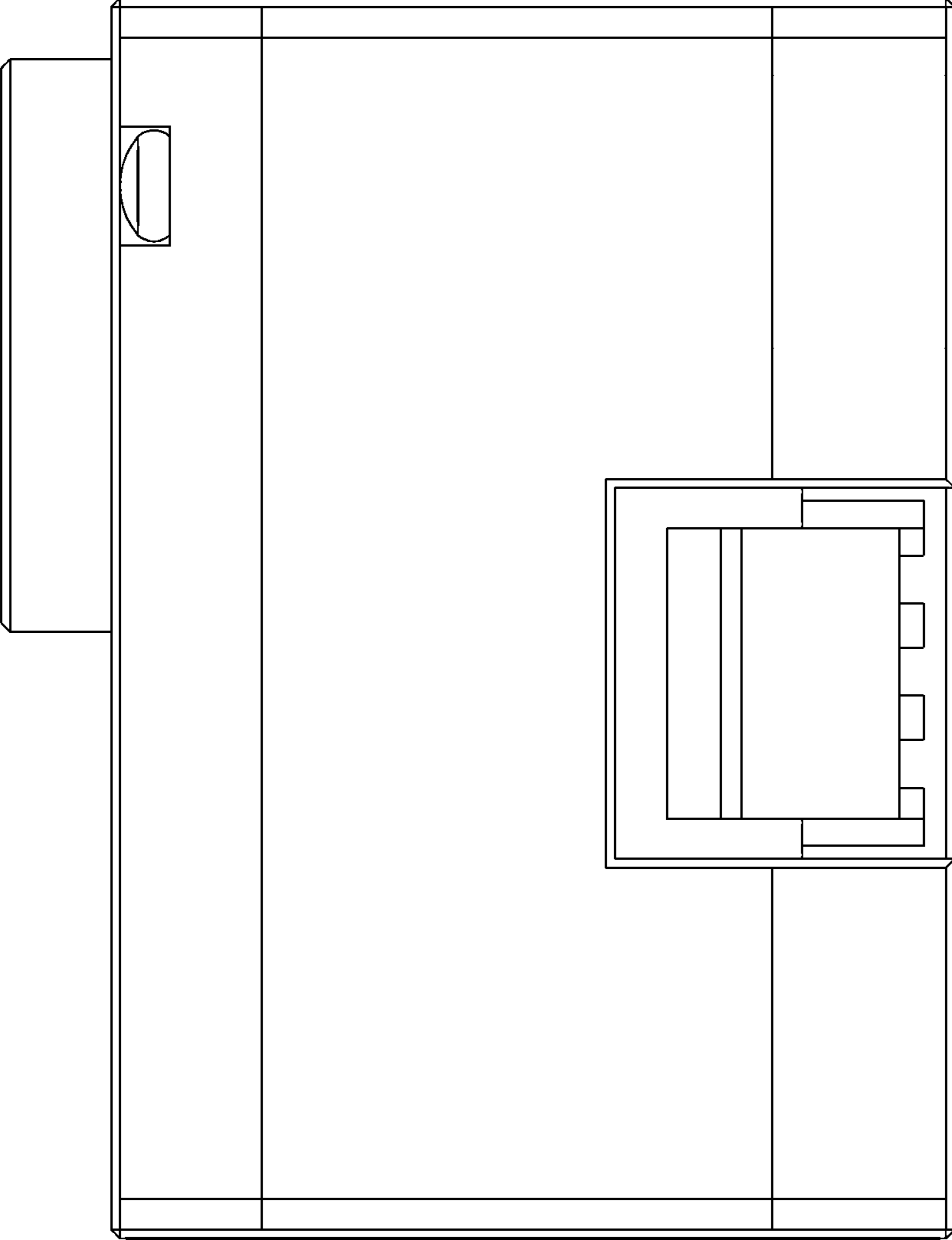


FIG. 5

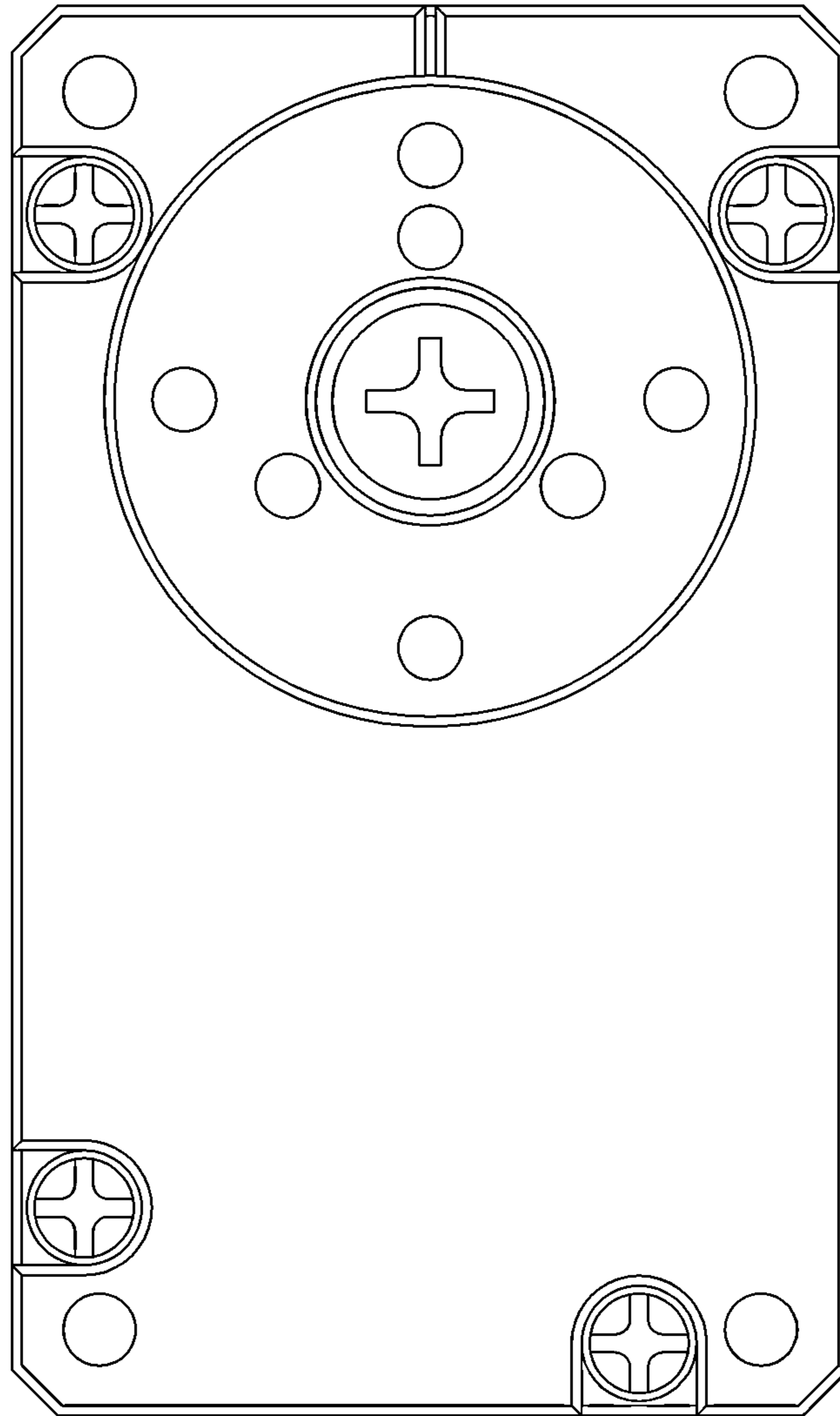


FIG. 6

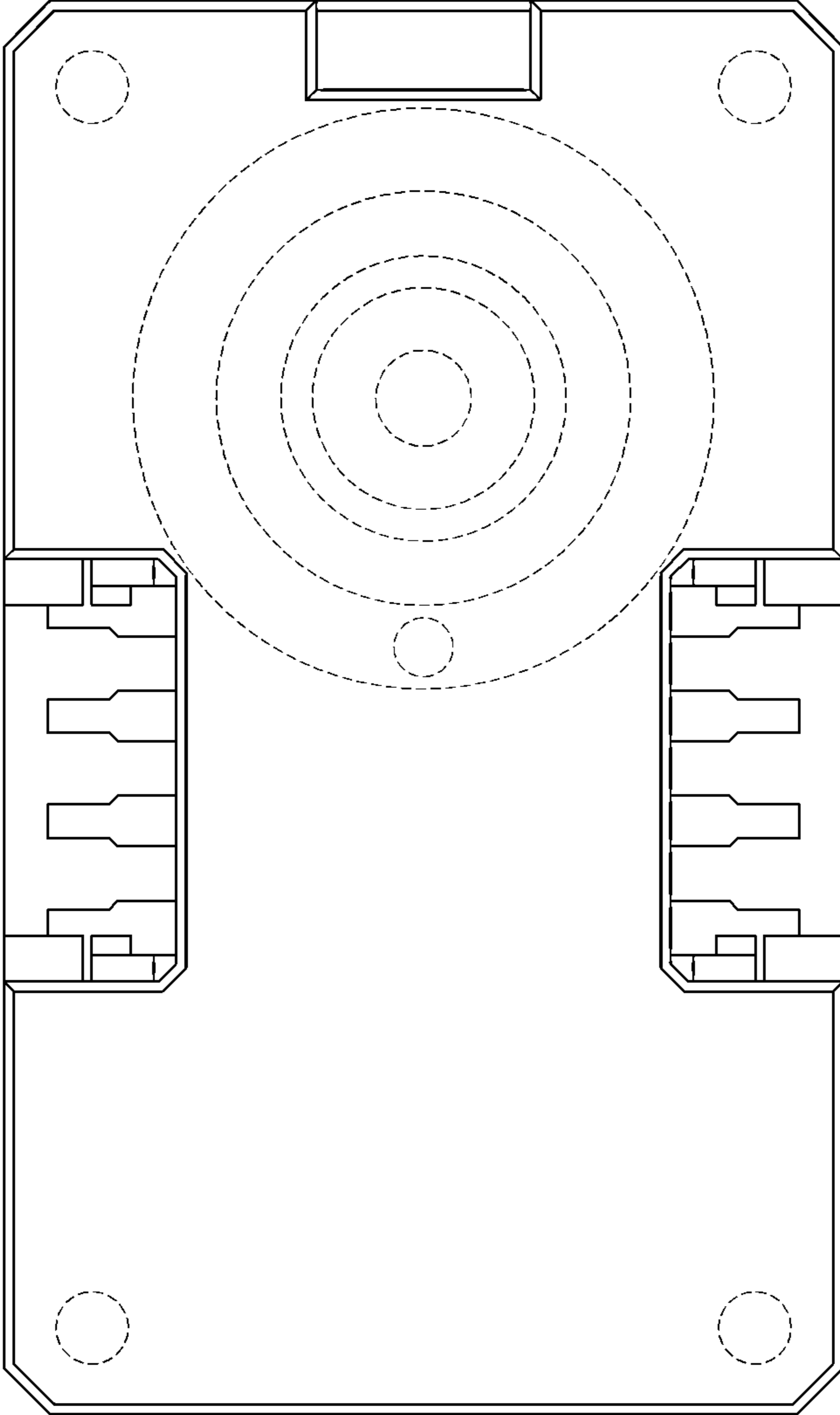


FIG. 7