



US00D971974S

(12) **United States Design Patent**
Thakur et al.

(10) **Patent No.:** **US D971,974 S**

(45) **Date of Patent:** **** Dec. 6, 2022**

- (54) **FROTH PROMOTER**
- (71) Applicant: **GTI SOLUTIONS INTERNATIONAL LLC**, Flower Mound, TX (US)
- (72) Inventors: **Naresh Thakur**, Seoul (KR); **Jaeman Cho**, Seoul (KR); **Ian Buttridge**, Garland, TX (US); **Ashraf Lakha**, Seoul (KR)
- (73) Assignee: **GTI Solutions International, LLC**, Flower Mound, TX (US)
- (**) Term: **15 Years**
- (21) Appl. No.: **29/694,248**
- (22) Filed: **Jun. 9, 2019**
- (51) **LOC (13) Cl.** **15-04**
- (52) **U.S. Cl.**
USPC **D15/147**
- (58) **Field of Classification Search**
USPC D15/10, 21, 28, 147; D7/376, 377, 414, D7/416; D23/386, 418, 421
CPC . B03D 1/02; B03D 1/14; B03D 1/021; B03D 2201/04; F23Q 9/04; H05K 9/0026
See application file for complete search history.

5,039,300 A *	8/1991	Riehl	F23Q 9/04
				431/264
D331,105 S *	11/1992	Bender	D23/418
D353,476 S *	12/1994	Davis	D30/106
5,503,895 A *	4/1996	Ziberna	B23P 19/001
				428/587
5,530,202 A *	6/1996	Dais	H05K 9/0026
				174/385
D375,832 S *	11/1996	Miller	D3/23
5,614,694 A *	3/1997	Gorenz, Jr.	H05K 9/0026
				174/375
D426,632 S *	6/2000	Arbucci	D23/386
D467,330 S *	12/2002	Sears	D23/386
D767,111 S *	9/2016	Glick, Jr.	D23/386
2008/0018003 A1 *	1/2008	Pilling	B01D 3/163
				261/114.3

* cited by examiner

Primary Examiner — Calvin E Vansant
Assistant Examiner — Mark T. Philipps

(57) **CLAIM**

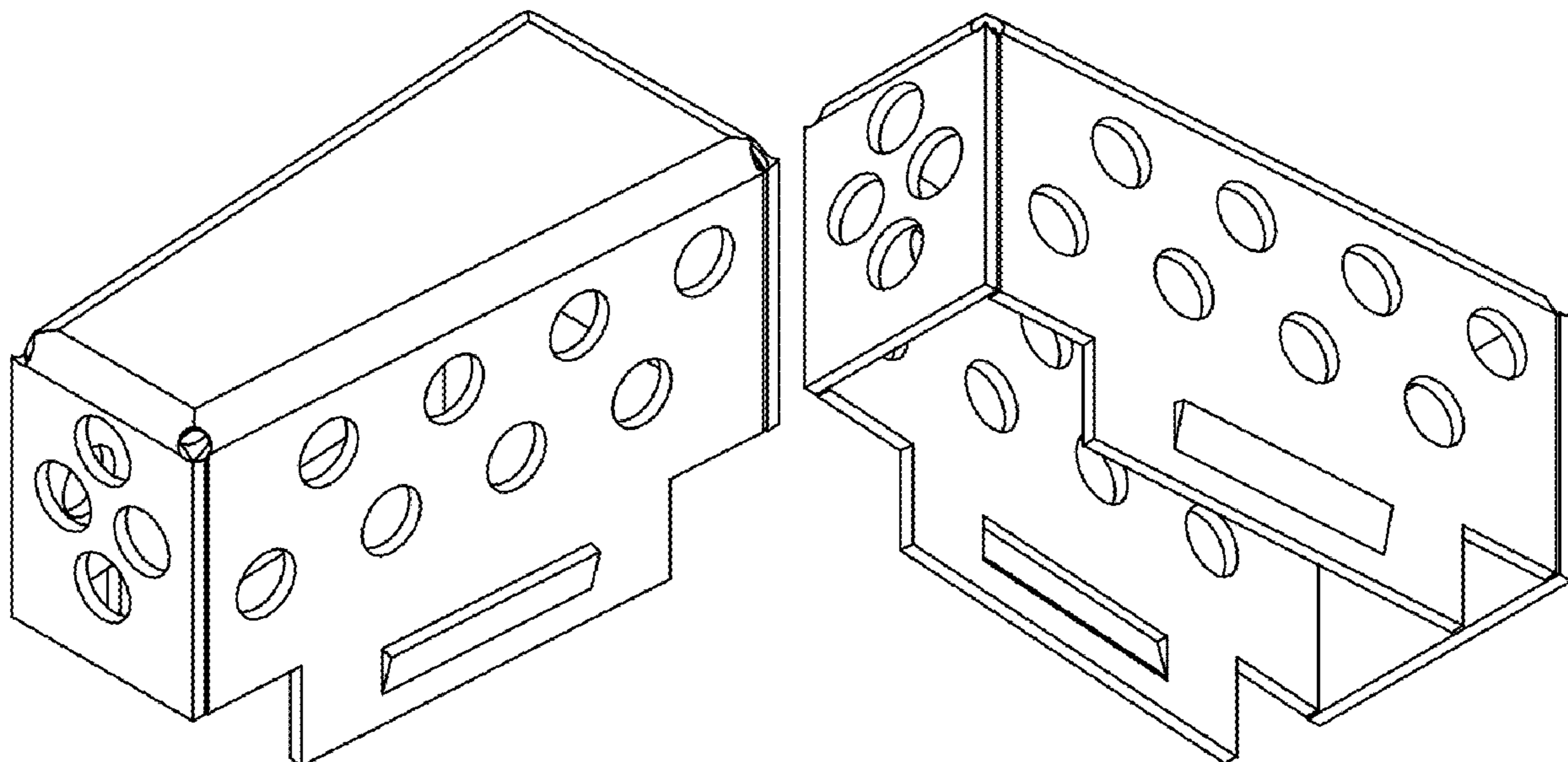
The ornamental design for a froth promoter, as shown and described.

DESCRIPTION

FIG. 1 is a front perspective view of an embodiment of a froth promoter;
FIG. 2 is a front perspective view thereof;
FIG. 3 is a front view thereof;
FIG. 4 is a rear view thereof;
FIG. 5 is a left-side view thereof;
FIG. 6 is a right-side view thereof;
FIG. 7 is a bottom view thereof;
FIG. 8 is a top view thereof; and,
FIG. 9 is a front perspective view thereof.

1 Claim, 3 Drawing Sheets

- (56) **References Cited**
U.S. PATENT DOCUMENTS
- 3,122,195 A * 2/1964 Kimmel F23Q 9/04
431/278
- 3,379,315 A * 4/1968 Broadwin B01L 3/0217
422/933
- D318,332 S * 7/1991 Allen D24/229



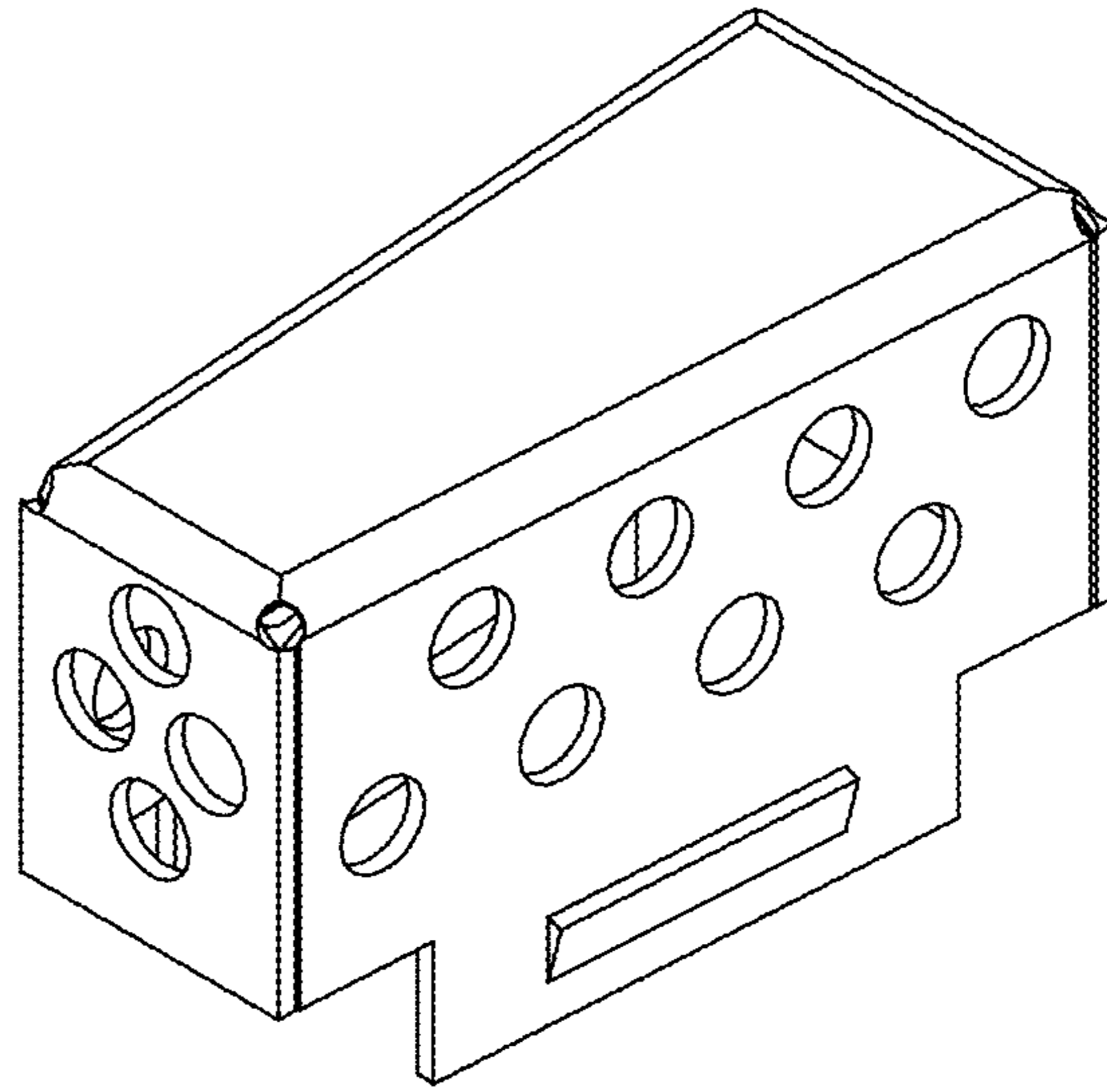


Fig. 1.

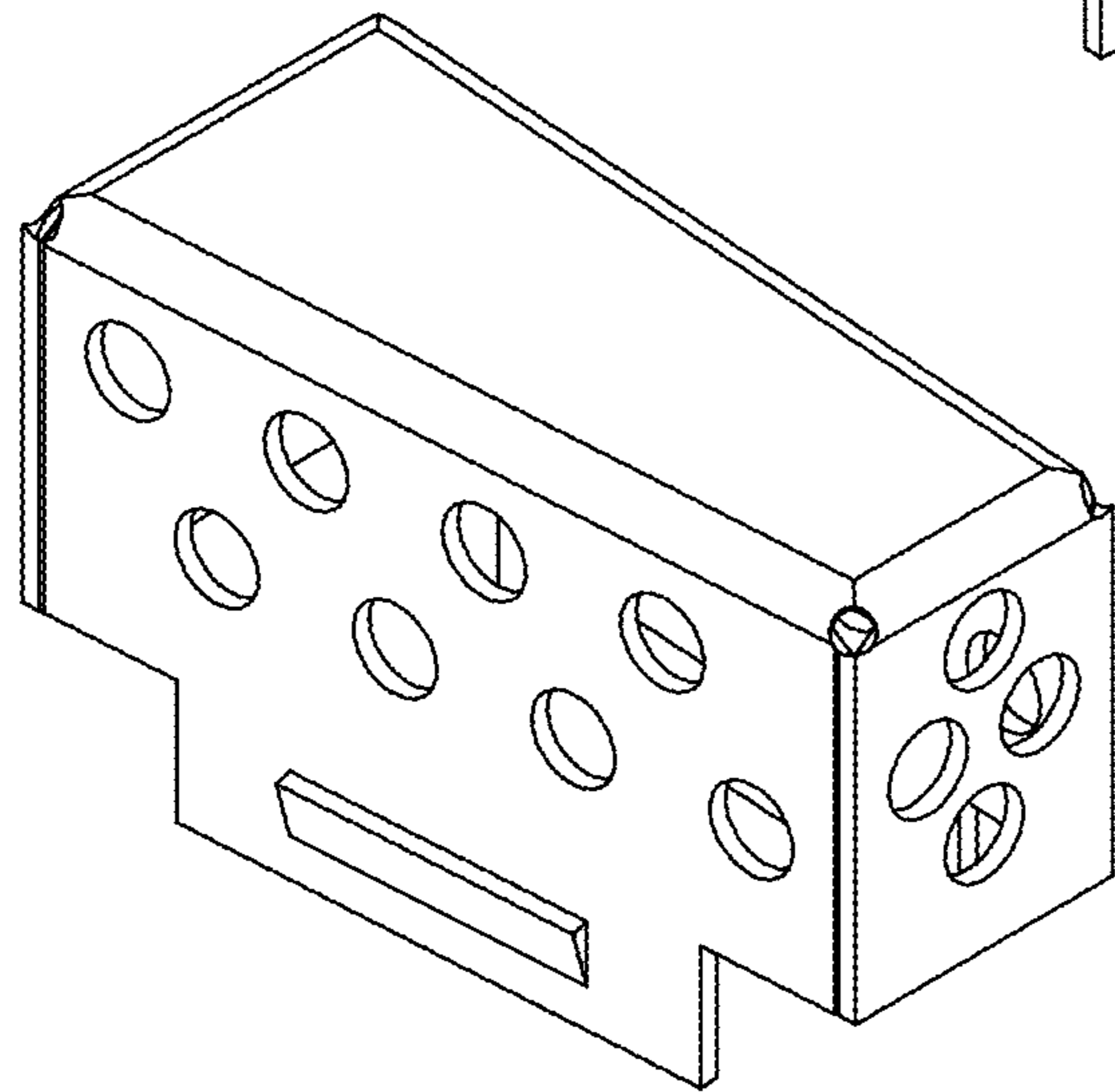


Fig. 2.

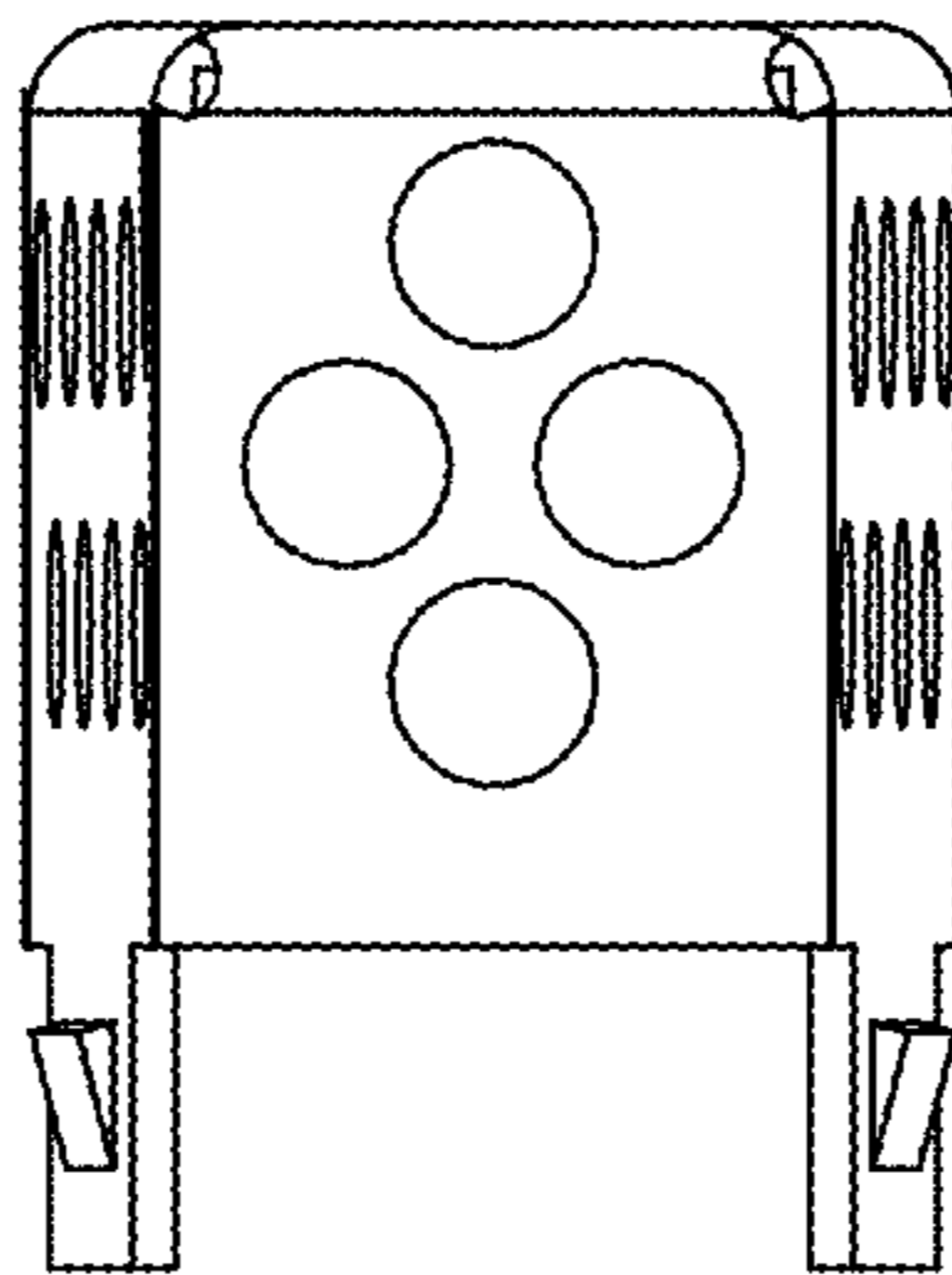


Fig. 3.

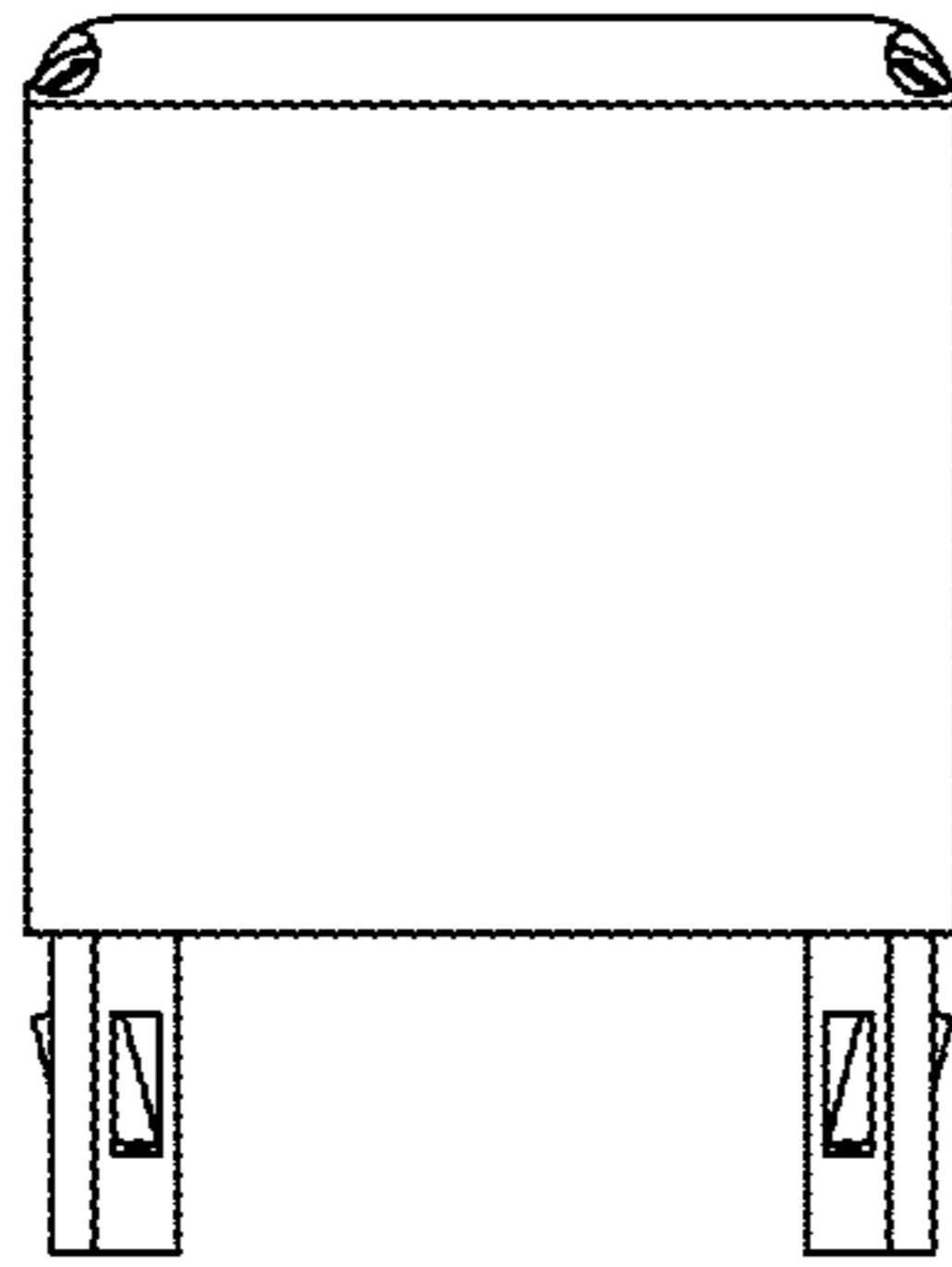


Fig. 4.

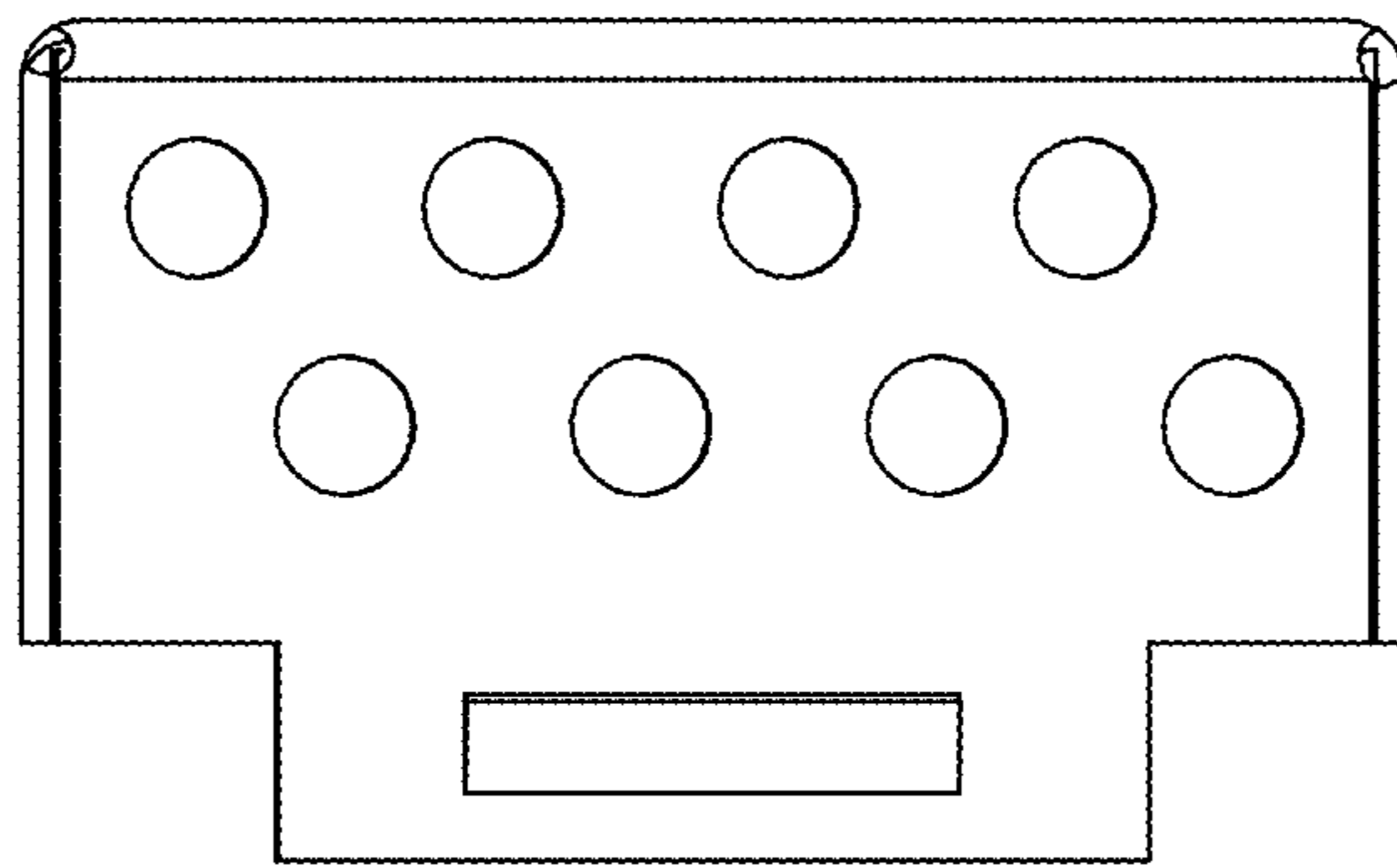


Fig. 5.

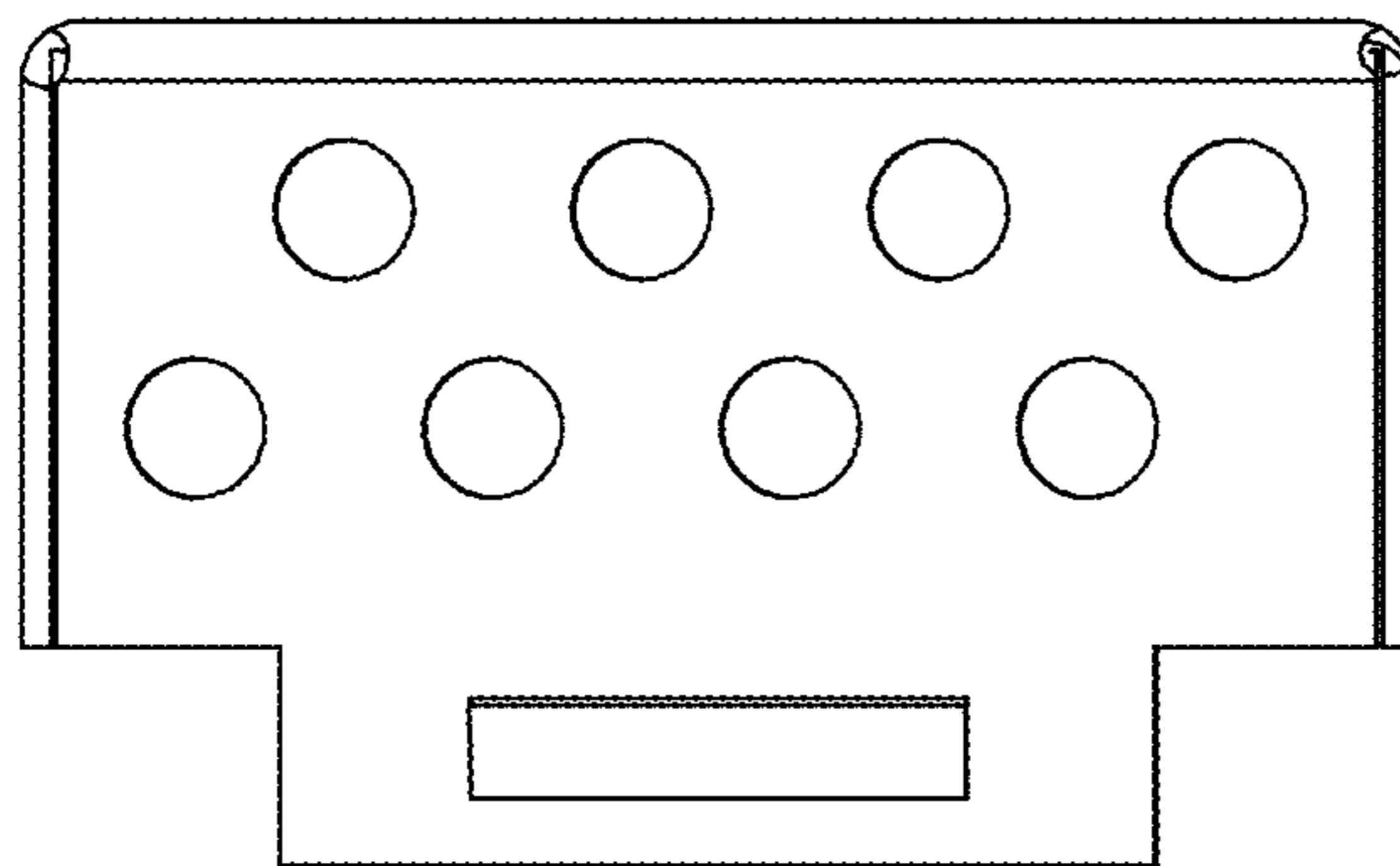


Fig. 6.

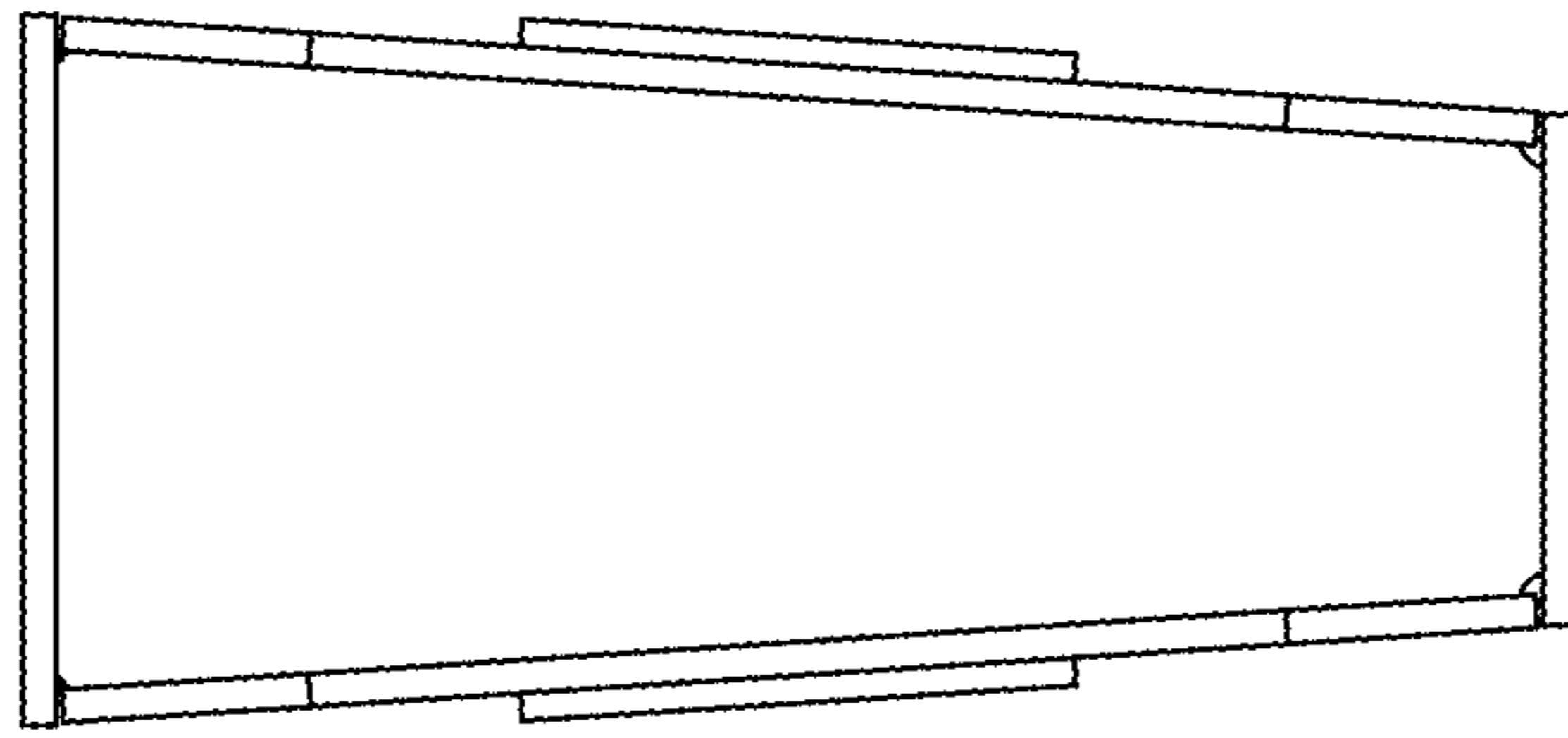


Fig. 7.

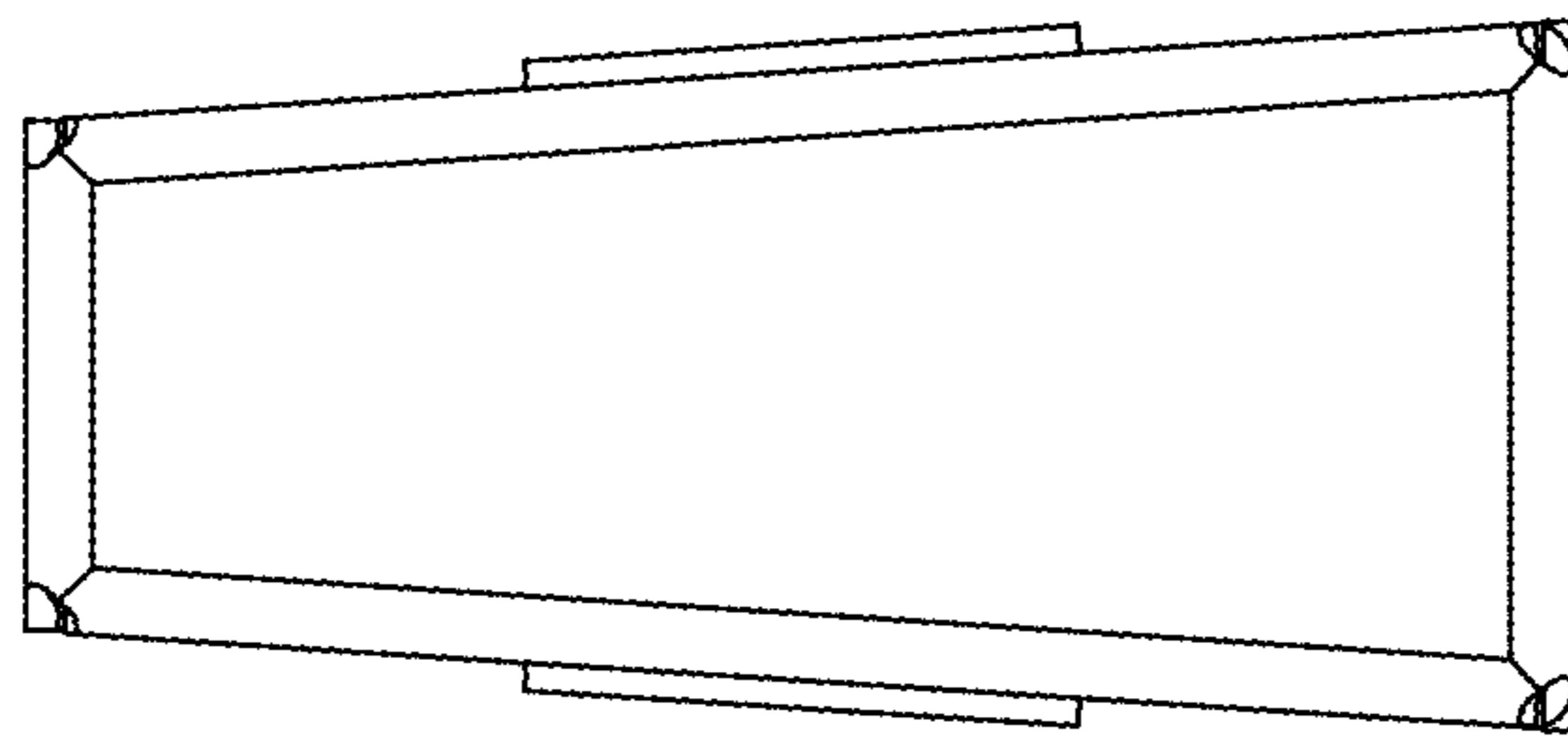


Fig. 8.

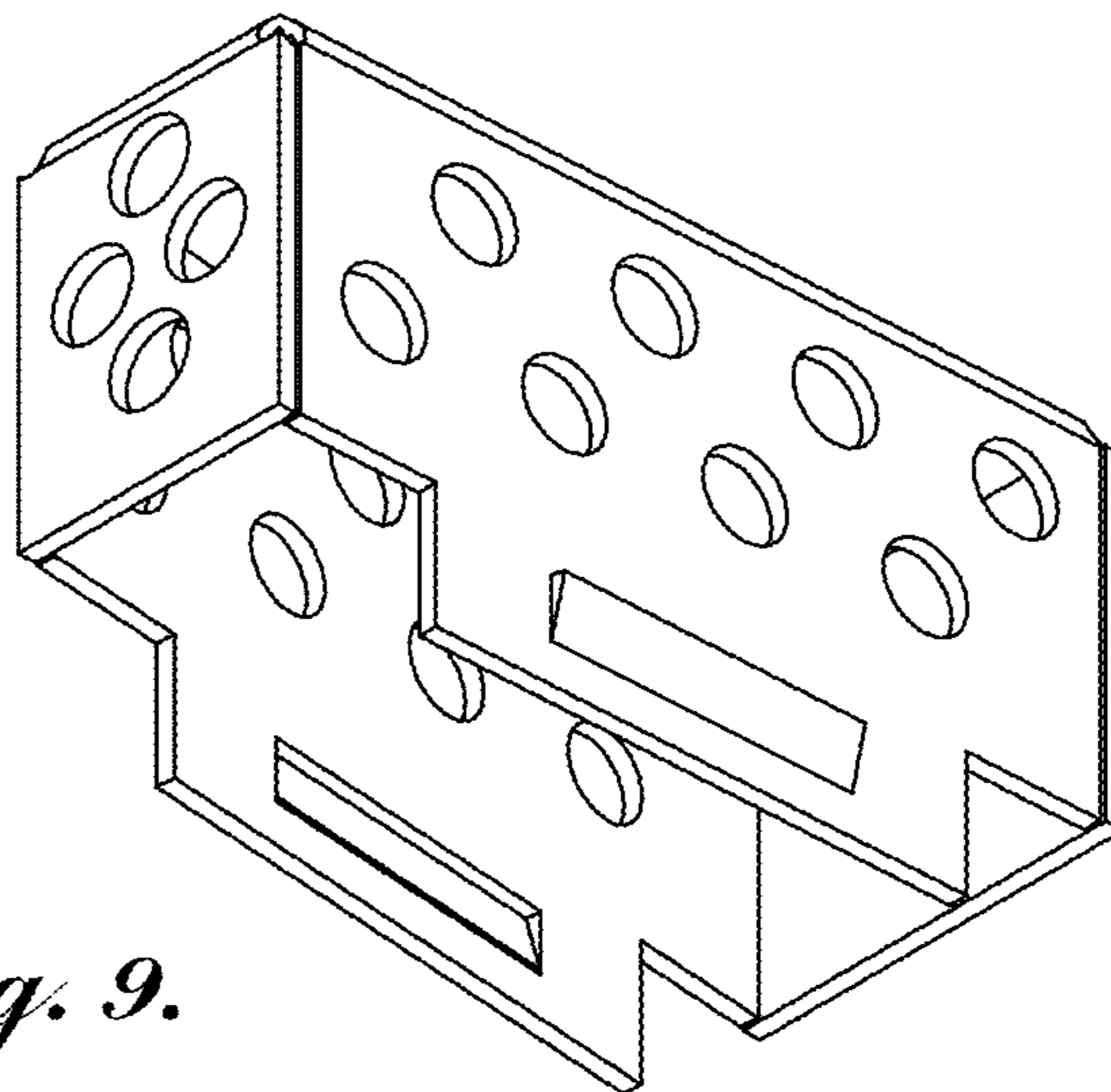


Fig. 9.