



US00D971973S

(12) **United States Design Patent** (10) **Patent No.:** **US D971,973 S**
Flodman et al. (45) **Date of Patent:** **** Dec. 6, 2022**

(54) **MILLING CUTTER TOOL**

33/134; E21B 34/12; E21B 43/08; E21B 43/108; E21B 47/00; E21B 47/09; E21B 47/12;

(71) Applicant: **SECO TOOLS AB**, Fagersta (SE)

(Continued)

(72) Inventors: **Rikard Flodman**, Arboga (SE); **Kent Karlsson**, Fellingsbro (SE)

(56) **References Cited**

(73) Assignee: **SECO TOOLS AB**, Fagersta (SE)

U.S. PATENT DOCUMENTS

(**) Term: **15 Years**

D250,388 S * 11/1978 Rantanen D15/21
D635,599 S * 4/2011 Furseth D15/139

(Continued)

(21) Appl. No.: **29/774,857**

Primary Examiner — Khawaja Anwar

(22) Filed: **Mar. 19, 2021**

(74) *Attorney, Agent, or Firm* — Volpe Koenig

Related U.S. Application Data

(57) **CLAIM**

(62) Division of application No. 29/681,689, filed on Feb. 27, 2019, now Pat. No. Des. 926,846.

We claim the ornamental design for a milling cutter tool, as shown and described.

(30) **Foreign Application Priority Data**

DESCRIPTION

Aug. 29, 2018 (EM) 005623584-0001
Aug. 29, 2018 (EM) 005623584-0002
Aug. 29, 2018 (EM) 005623584-0003
Aug. 29, 2018 (EM) 005623584-0004
Aug. 29, 2018 (EM) 005623584-0005
Aug. 29, 2018 (EM) 005623584-0006

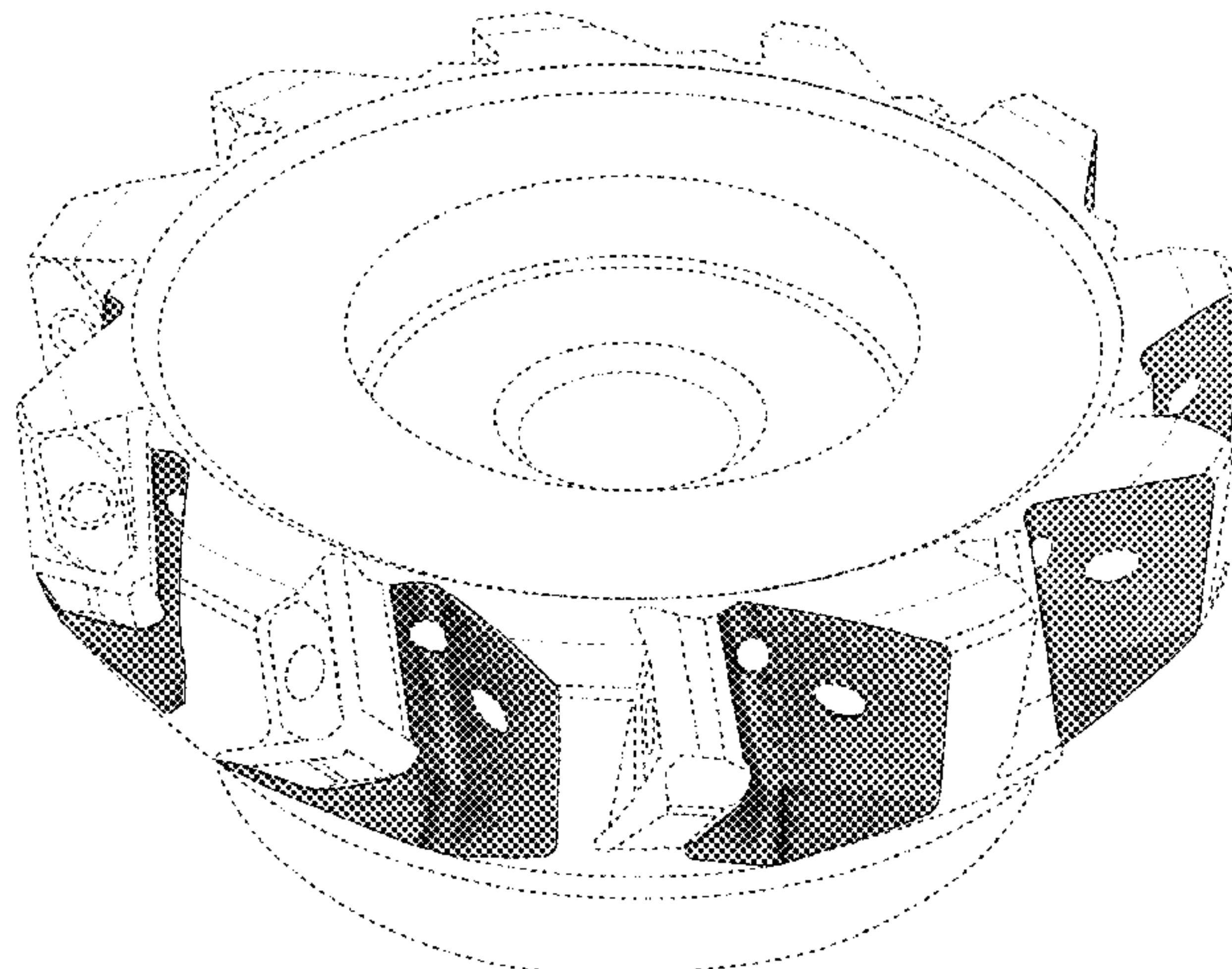
FIG. 1 is a perspective view of a first embodiment of a milling cutter tool in accordance with our design;
FIG. 2 is a top plan view thereof;
FIG. 3 is a front elevational view thereof;
FIG. 4 is a left side elevational view thereof;
FIG. 5 is a rear elevational view thereof;
FIG. 6 is a right side elevational view thereof; and
FIG. 7 is a bottom plan view thereof;
FIG. 8 is a perspective view of a second embodiment of a milling cutter tool in accordance with our design;
FIG. 9 is a top plan view thereof;
FIG. 10 is a front elevational view thereof;
FIG. 11 is a left side elevational view thereof;
FIG. 12 is a rear elevational view thereof;
FIG. 13 is a right side elevational view thereof; and,
FIG. 14 is a bottom plan view thereof.

(51) **LOC (13) Cl.** **15-03**

(52) **U.S. Cl.**
USPC **D15/139**

(58) **Field of Classification Search**
USPC D15/128, 131, 138, 139, 140
CPC E21B 33/1208; E21B 23/00; E21B 10/00;
E21B 10/42; E21B 10/54; E21B 10/55;
E21B 10/602; E21B 17/00; E21B 17/023;
E21B 17/06; E21B 19/14; E21B 19/155;
E21B 21/103; E21B 23/02; E21B 23/14;
E21B 29/00; E21B 29/005; E21B 29/02;
E21B 29/06; E21B 31/107; E21B 31/113;
E21B 31/12; E21B 33/12; E21B 33/128;
E21B 33/129; E21B 33/1293; E21B

The broken lines represent portions of the milling cutter tool in which the design is embodied that form no part of the claimed design. Additionally, the light grey shaded areas in
(Continued)



FIGS. 8-14 represent portions of the milling cutter tool in which the design is embodied that form no part of the claimed design.

1 Claim, 14 Drawing Sheets

(58) **Field of Classification Search**

CPC E21B 47/122; E21B 4/02; E21B 7/061;
E21B 7/068

See application file for complete search history.

(56) **References Cited**

U.S. PATENT DOCUMENTS

D768,742 S * 10/2016 Charbonneau D15/139
D812,115 S * 3/2018 MacLennan B27B 33/12
D15/139
D823,909 S * 7/2018 Kawakami D15/139
D832,319 S * 10/2018 Muthuswamy D15/139
D851,145 S * 6/2019 Davis D15/139
D856,386 S * 8/2019 Banjo D15/139
D857,768 S * 8/2019 Rhode D15/139
D862,542 S * 10/2019 Maeda D15/139
D863,382 S * 10/2019 Abe D15/139
D879,168 S * 3/2020 Zhao D15/139
D896,850 S * 9/2020 Stark D15/29
2007/0231088 A1 10/2007 Waggle et al.

* cited by examiner

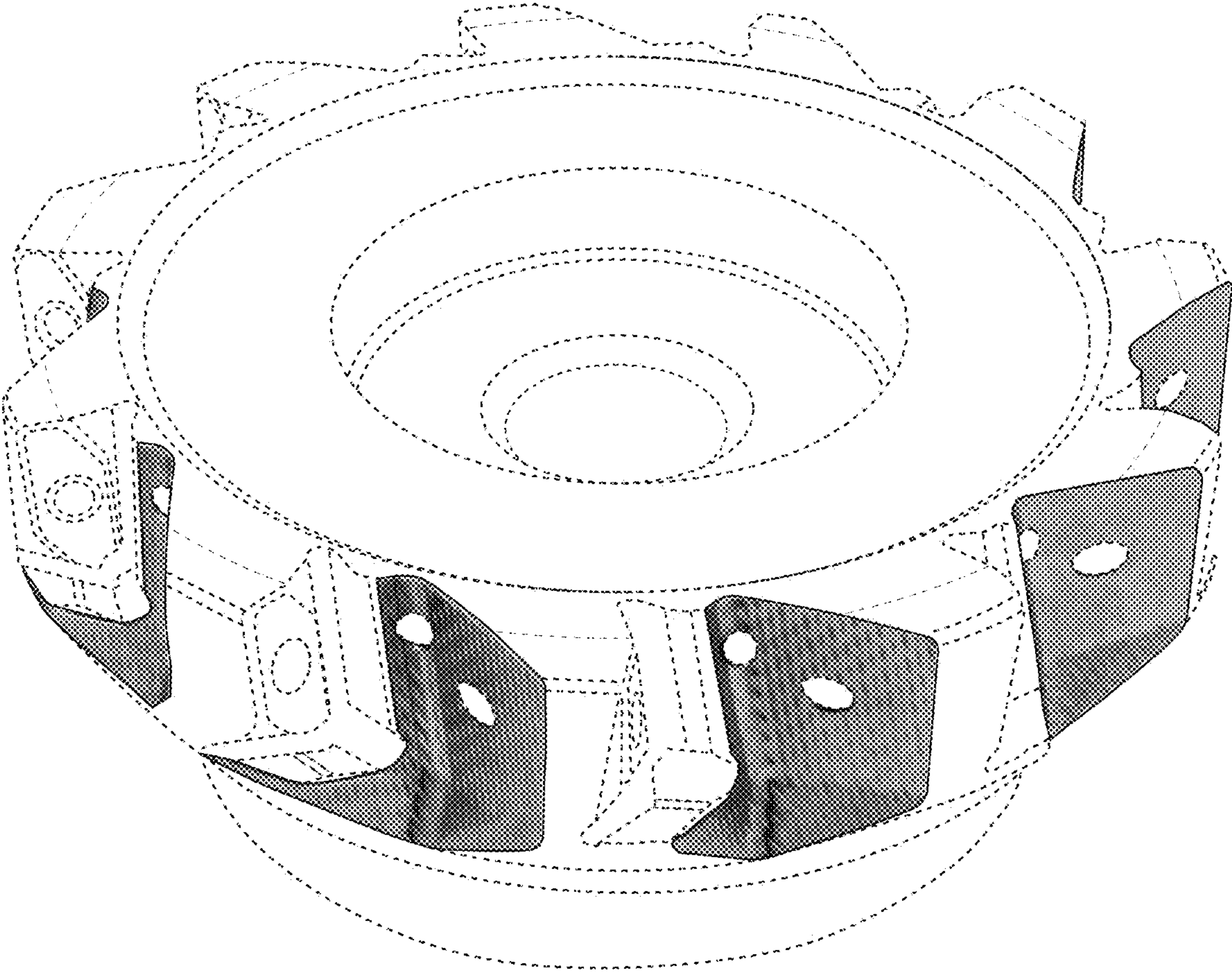


Fig. 1

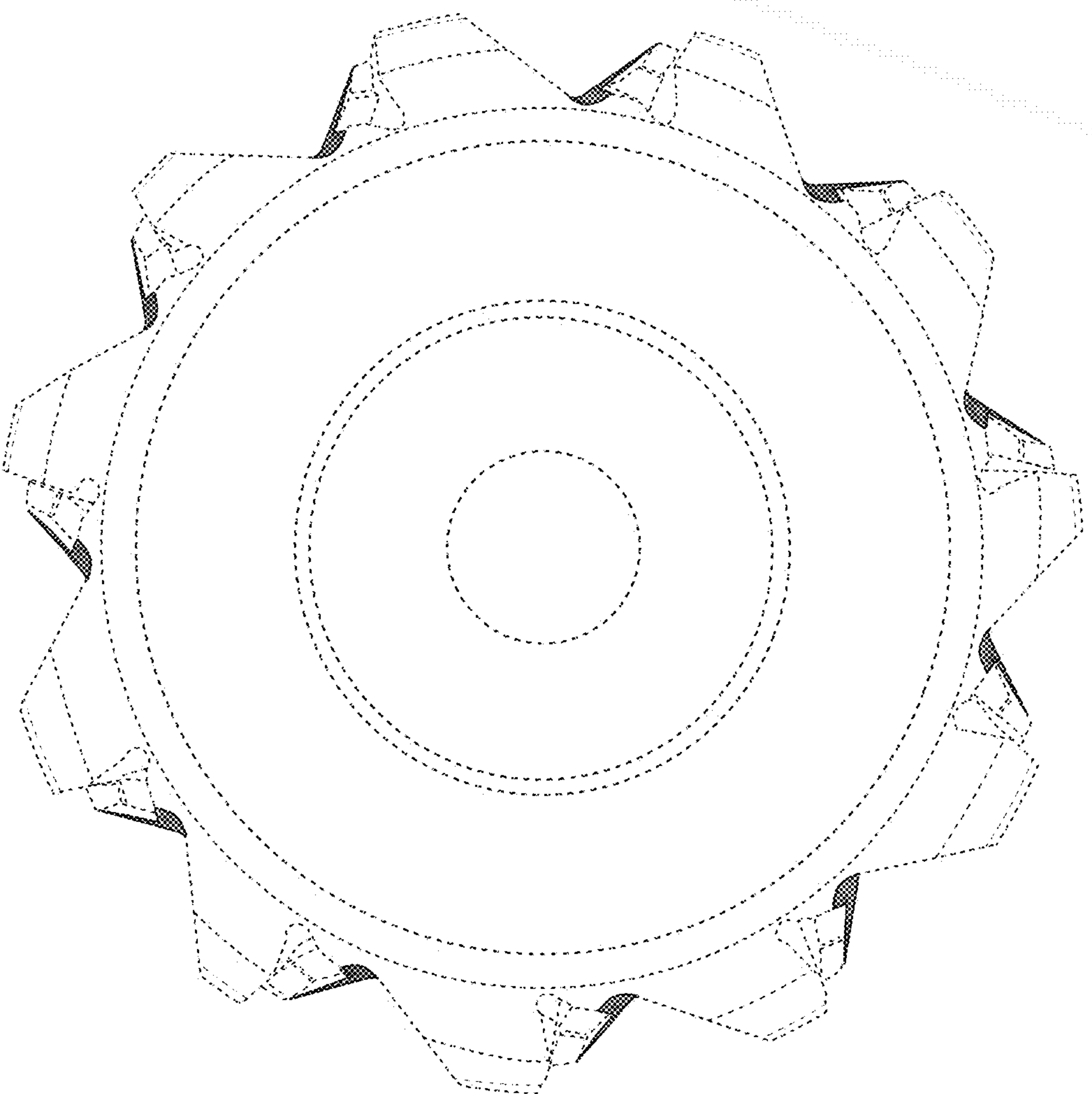


Fig. 2

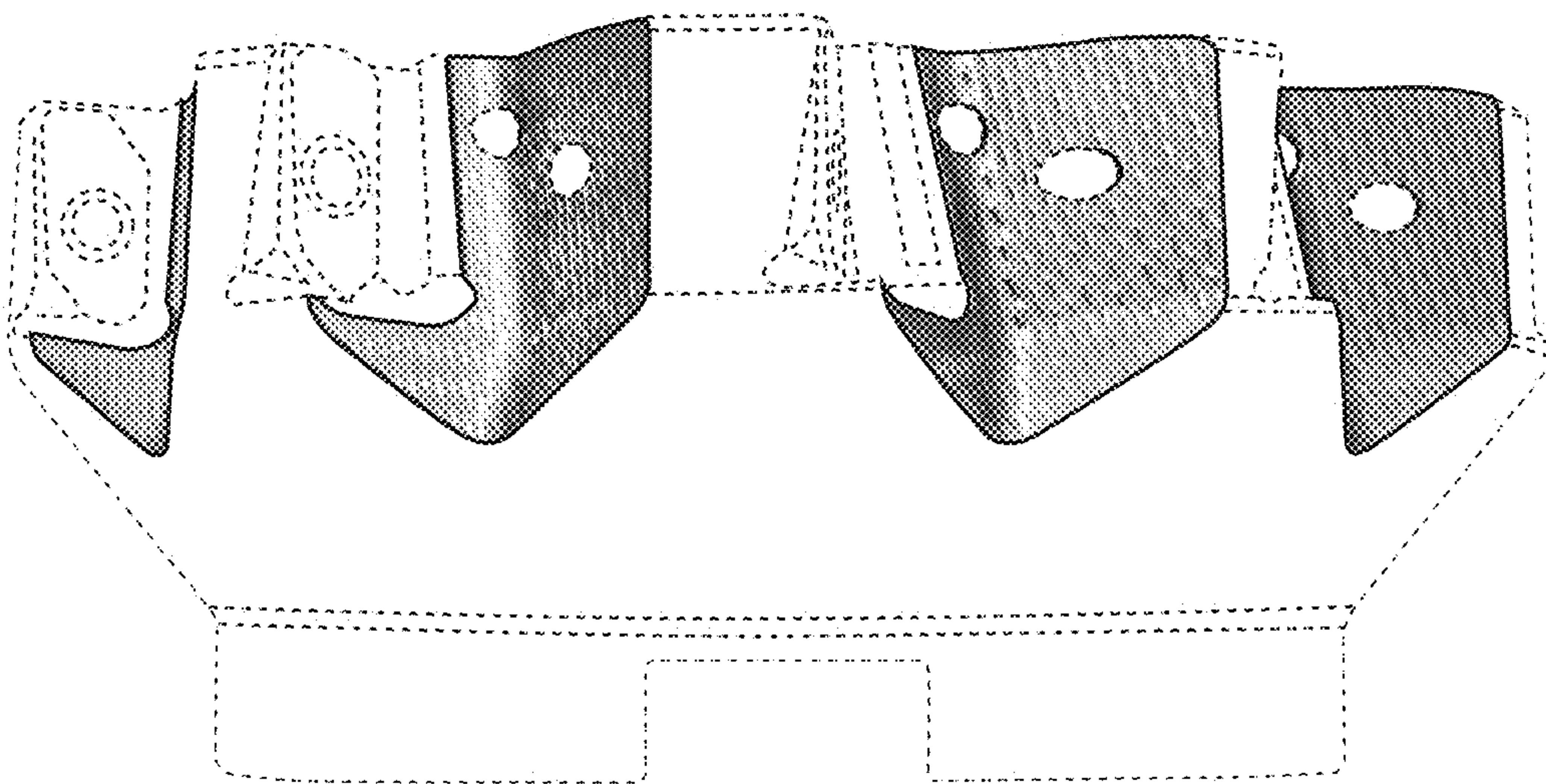


Fig. 3

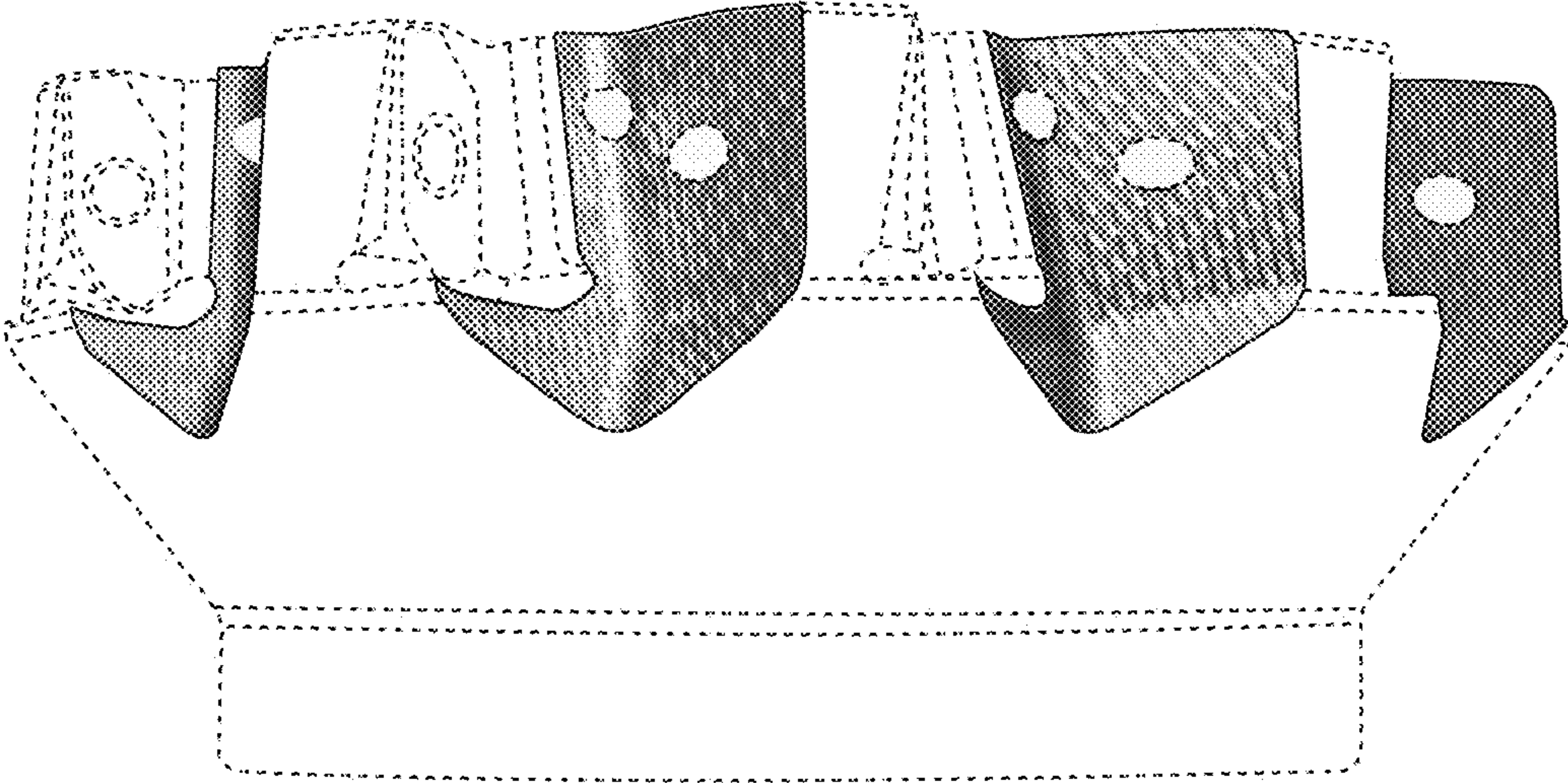


Fig. 4

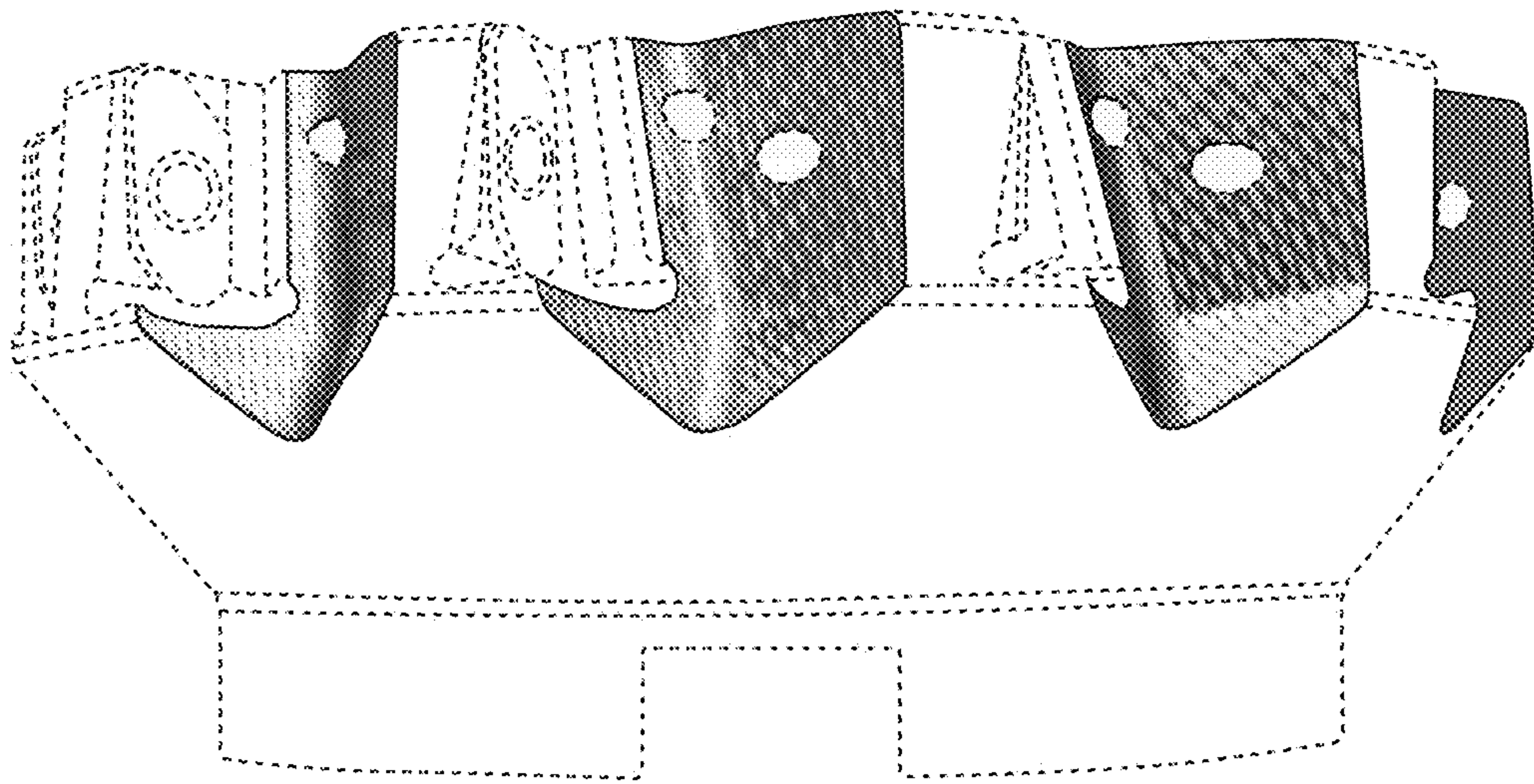


Fig. 5

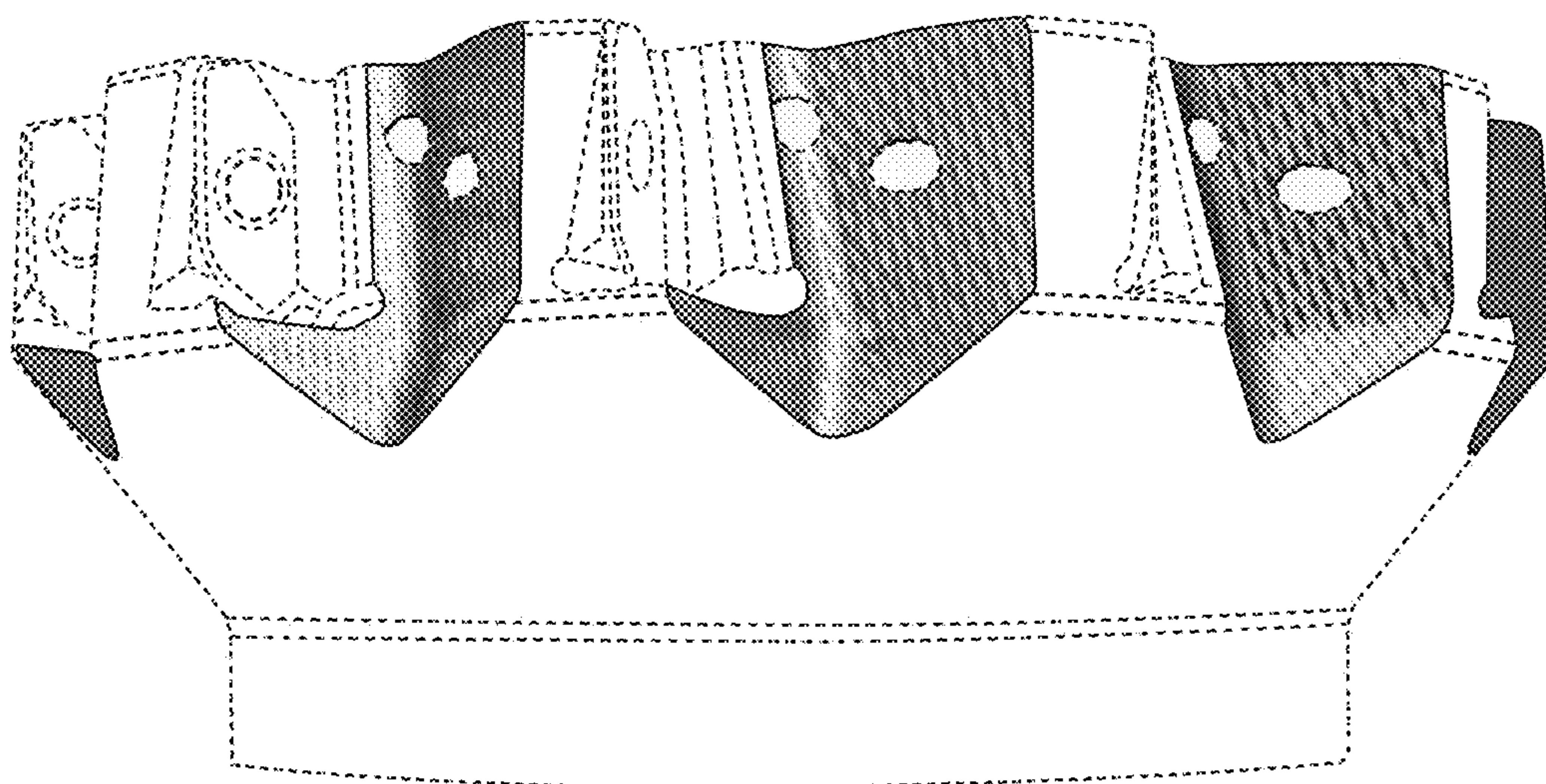


Fig. 6

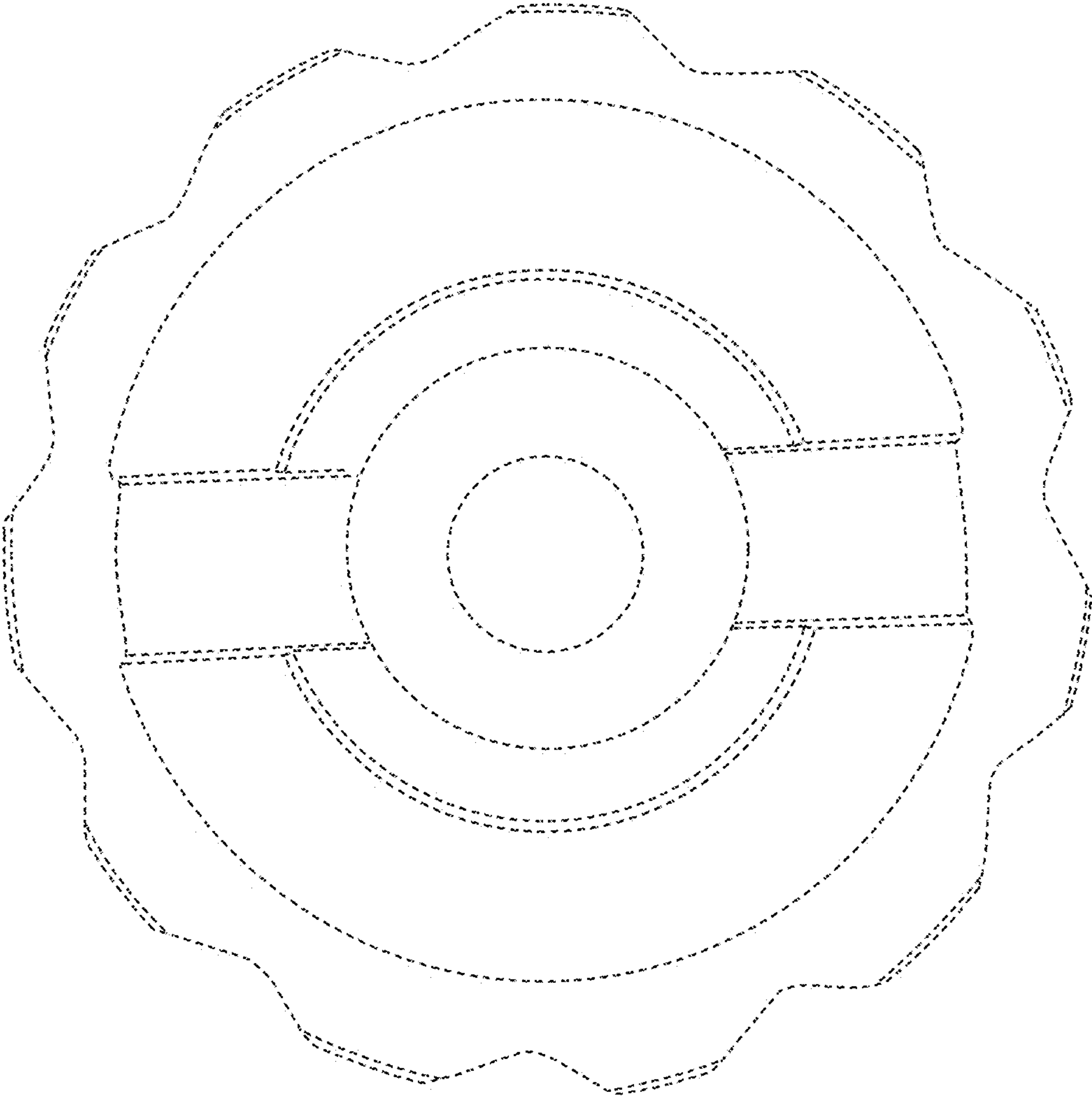


Fig. 7

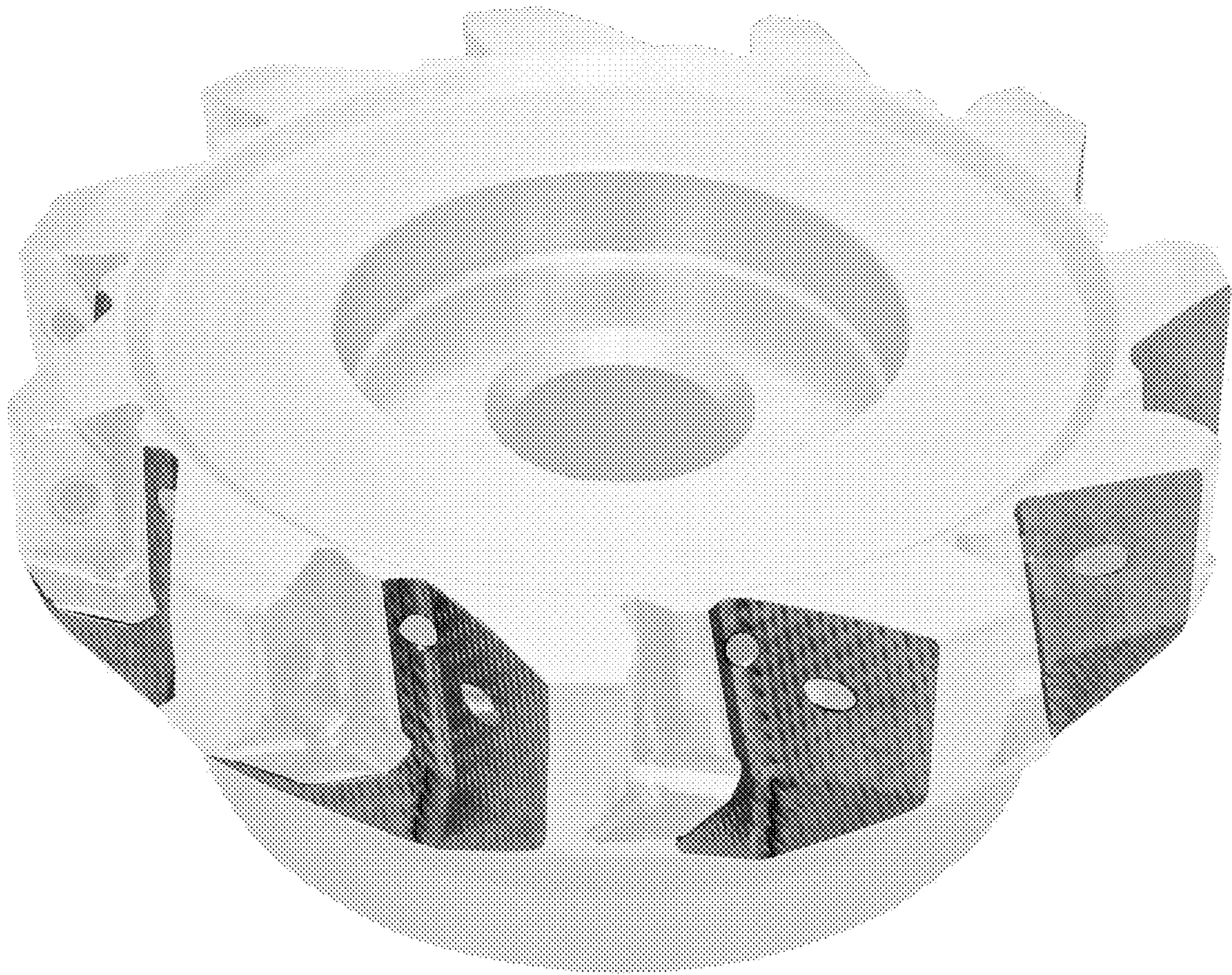


Fig. 8



Fig. 9

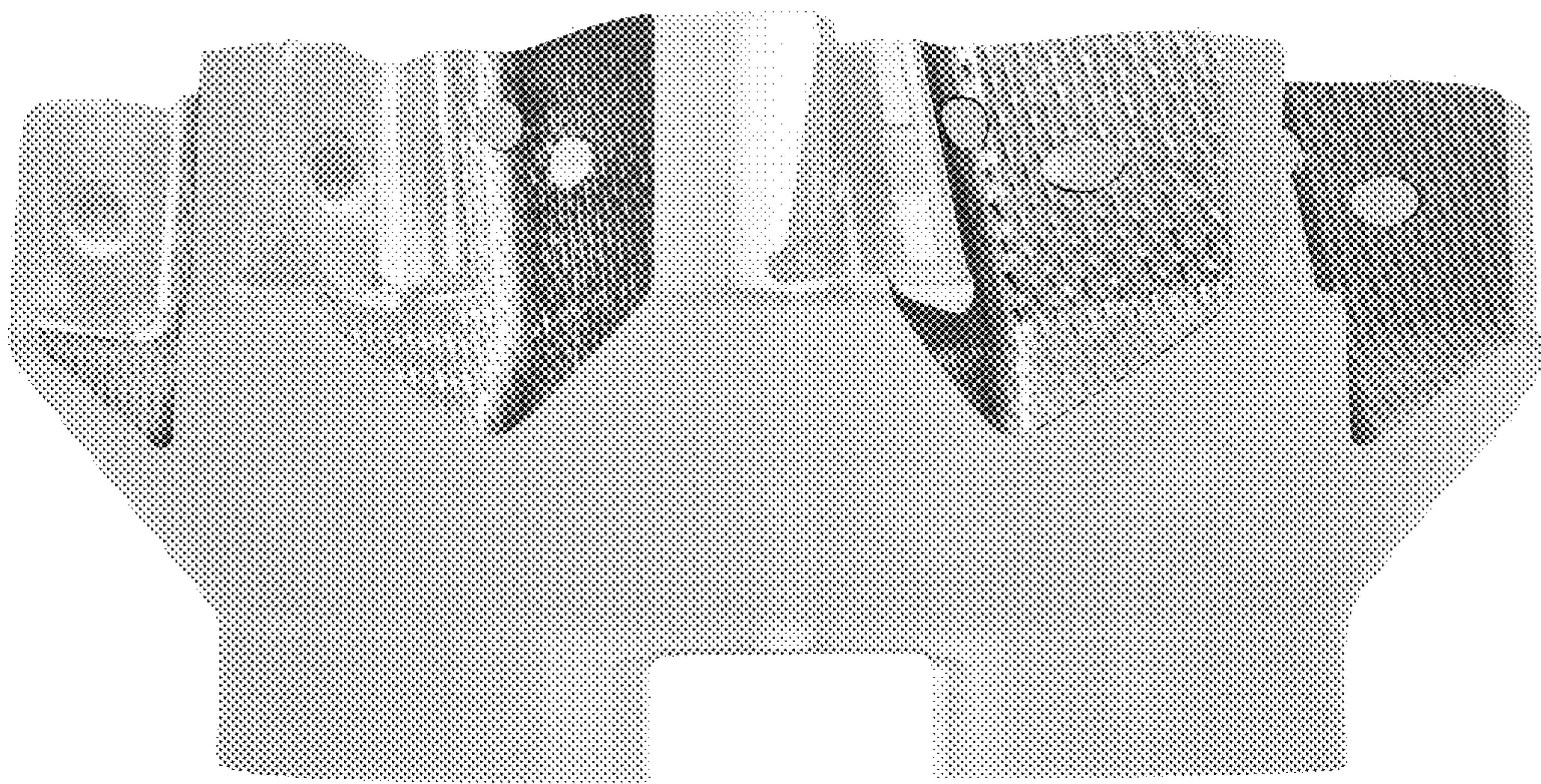


Fig. 10

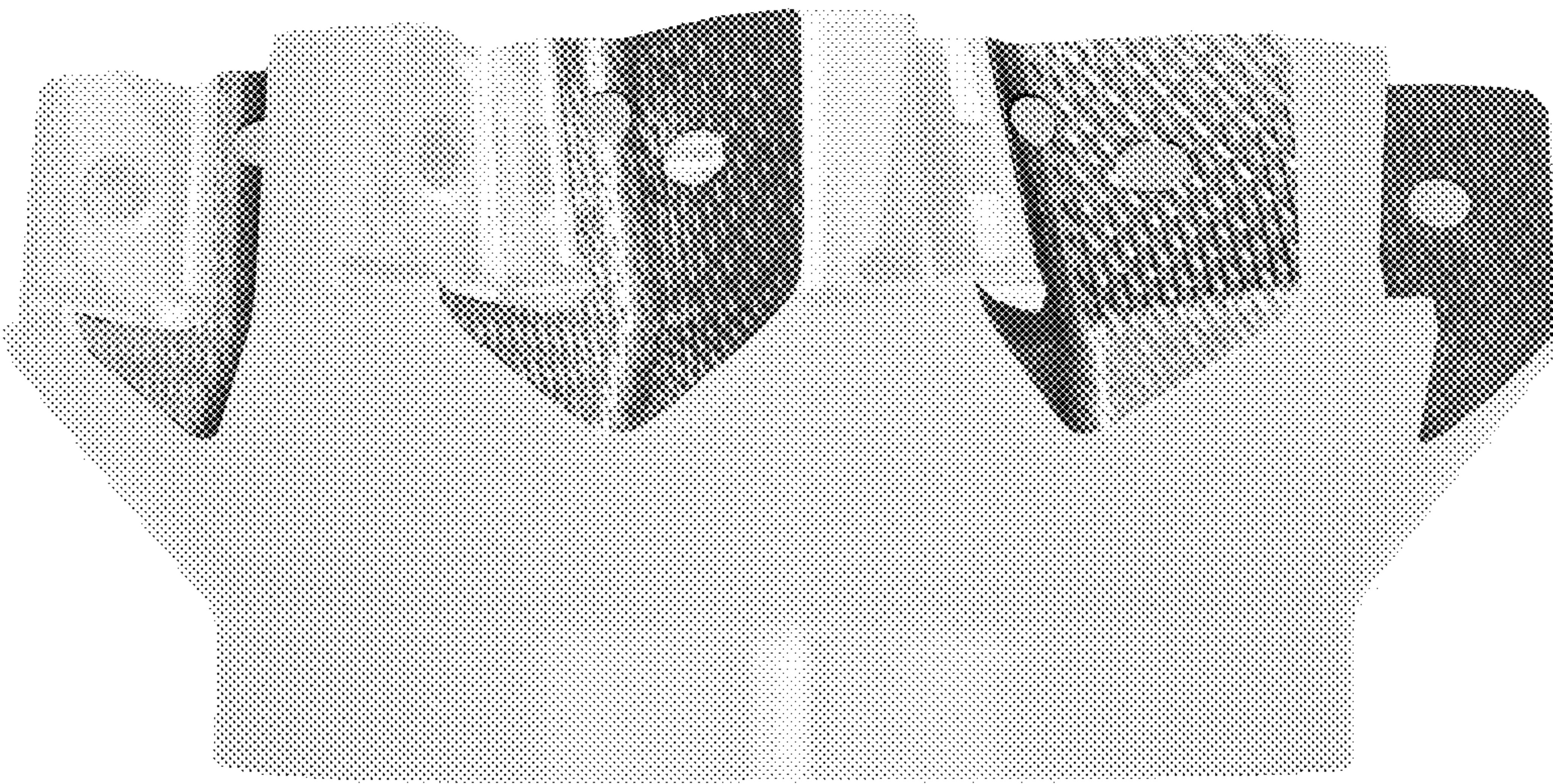


Fig. 11

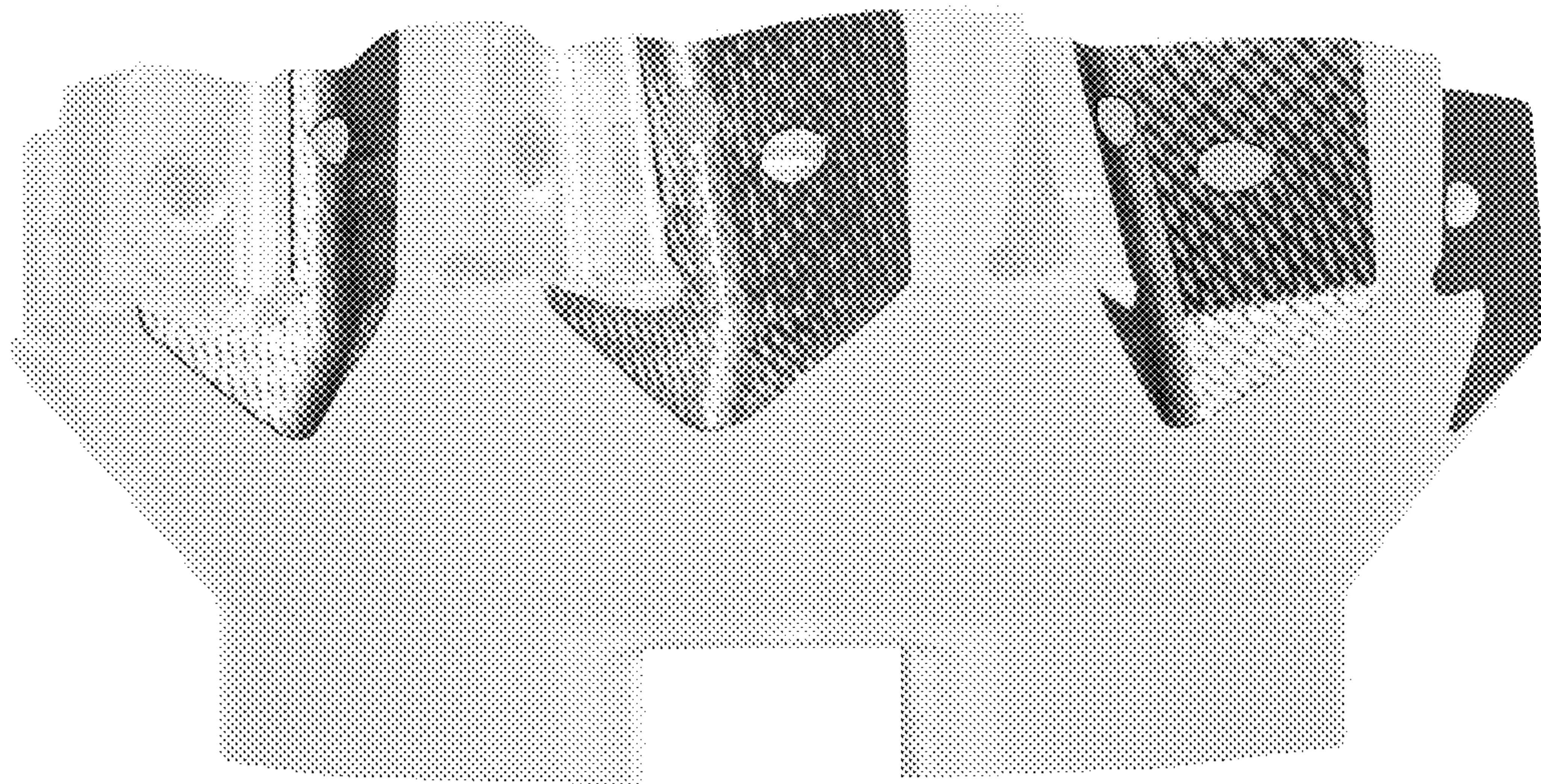


Fig. 12

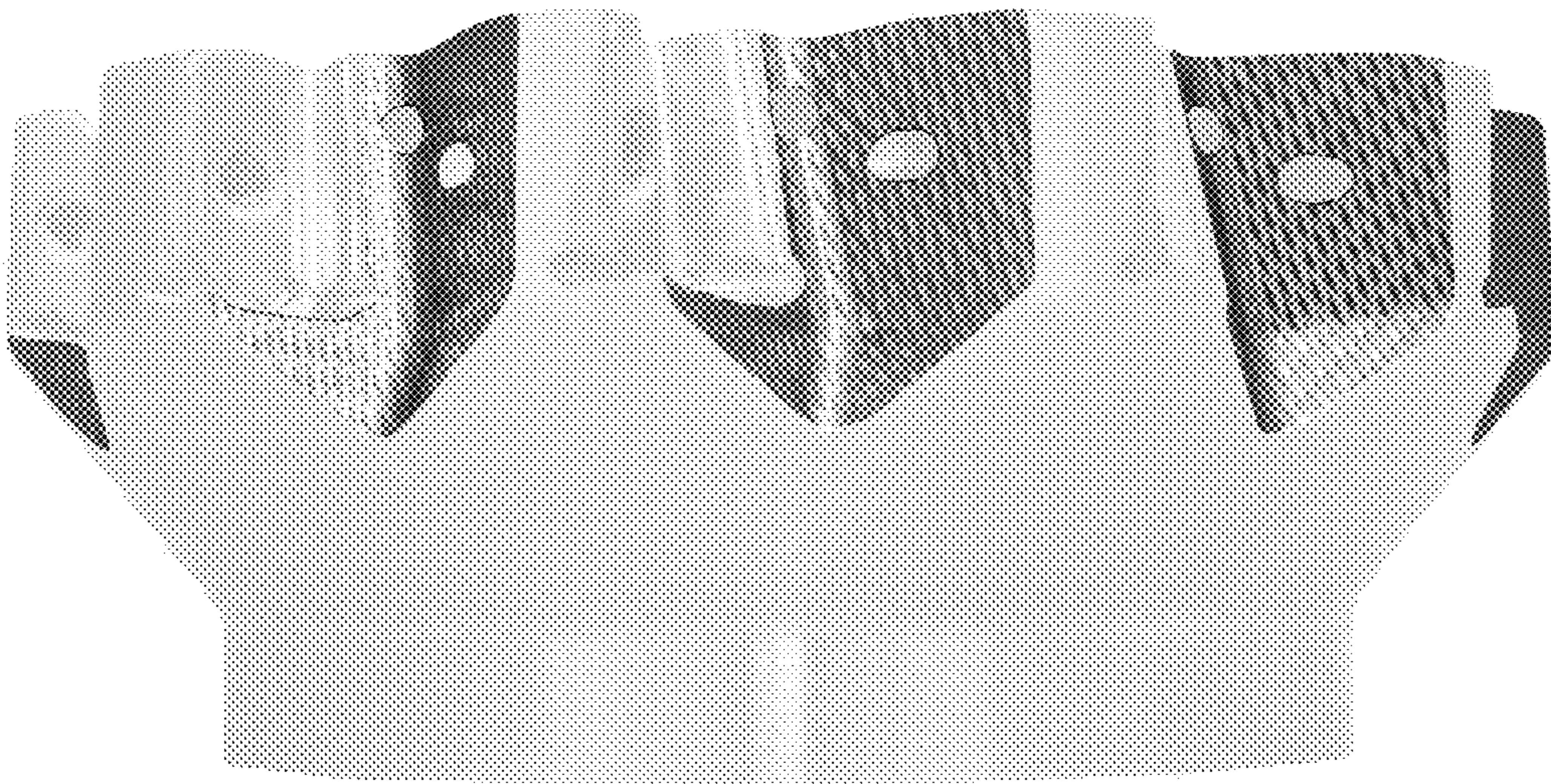


Fig. 13

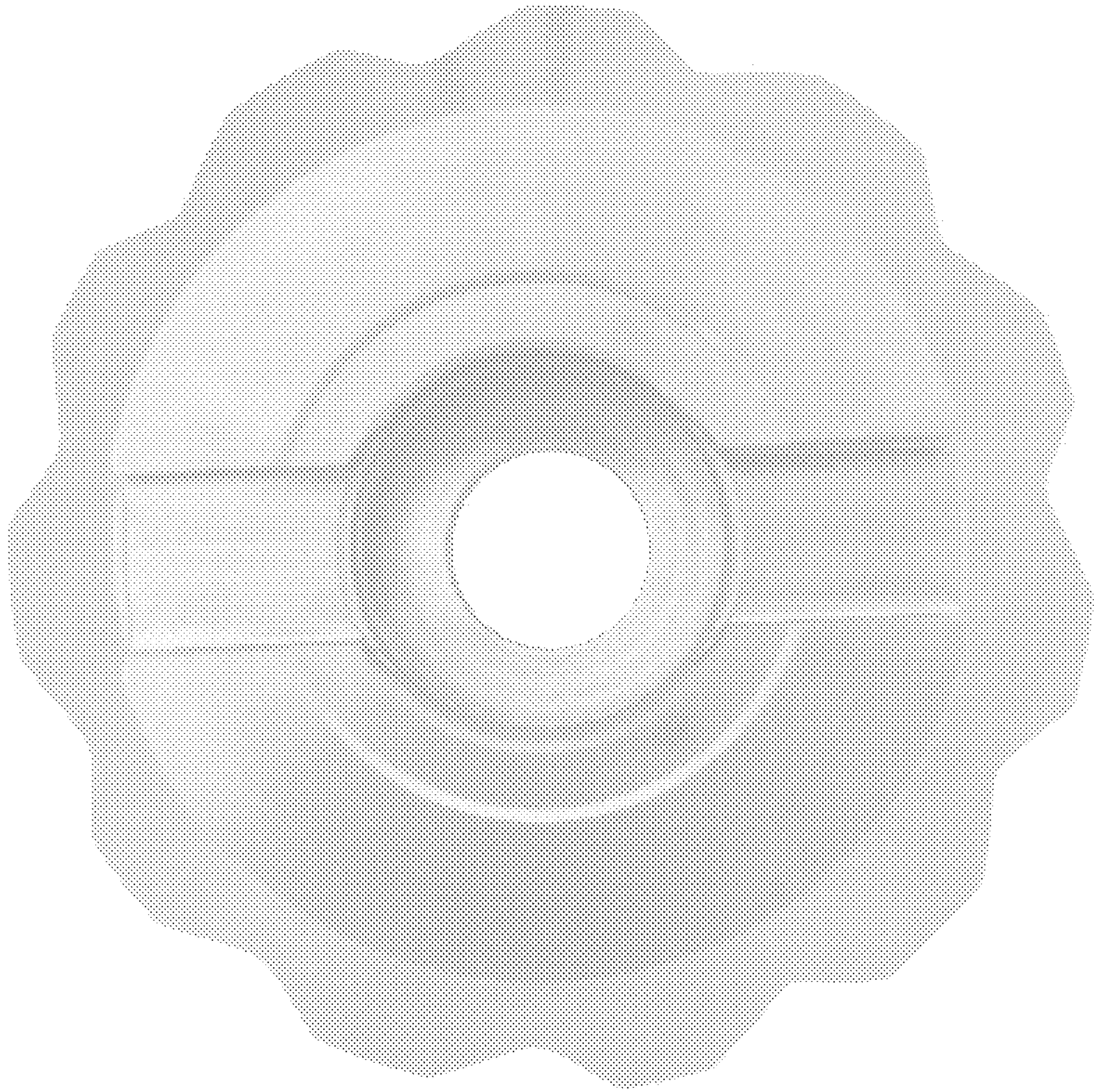


Fig. 14