



US00D971971S

(12) **United States Design Patent** (10) **Patent No.:** **US D971,971 S**  
**Mounsey** (45) **Date of Patent:** **\*\* Dec. 6, 2022**

(54) **POWER SHOVEL BUCKET BODY**

(71) Applicant: **Mainetec Pty Ltd**, Paget (AU)

(72) Inventor: **Stephen John Mounsey**, Paget (AU)

(73) Assignee: **Mainetec Pty Ltd**, Paget (AU)

(\*\*) Term: **15 Years**

(21) Appl. No.: **29/782,091**

(22) Filed: **May 4, 2021**

(30) **Foreign Application Priority Data**

Nov. 3, 2020 (AU) ..... 202015960

(51) **LOC (13) Cl.** ..... **15-03**

(52) **U.S. Cl.**  
USPC ..... **D15/32**

(58) **Field of Classification Search**  
USPC ..... D15/28, 29, 32  
CPC ..... E02F 3/40; E02F 3/96; E02F 3/04; E02F 3/962; E02F 3/404; E02F 3/401; E02F 3/32; E02F 3/76; E02F 9/24; E02F 9/28; E02F 9/163; E02F 9/0886; E02F 9/18; B65G 2812/02742; B65G 17/36; F01N 13/001; F01N 2590/08

See application file for complete search history.

(56) **References Cited**

**U.S. PATENT DOCUMENTS**

2,145,663 A \* 1/1939 Reynolds ..... E02F 9/2833  
D15/32  
4,123,861 A \* 11/1978 Hemphill ..... E02F 9/2825  
D15/32  
D274,622 S \* 7/1984 Neander ..... D15/32  
D308,528 S \* 6/1990 Harr ..... D15/32  
D326,859 S \* 6/1992 Cody ..... D15/28  
5,353,531 A \* 10/1994 Doucette ..... E02F 5/025  
37/444  
5,575,092 A \* 11/1996 Smit ..... E02F 9/2883  
37/399

D501,662 S \* 2/2005 Rowlands ..... D15/28  
D524,826 S \* 7/2006 Boyapally ..... D15/29  
D551,684 S \* 9/2007 McClallen ..... D15/32  
D616,469 S \* 5/2010 Ballinger ..... D15/32  
D766,995 S \* 9/2016 Annetts ..... D15/32  
D875,791 S \* 2/2020 Edavankattil ..... D15/32  
D881,239 S \* 4/2020 Gregory ..... D15/32  
D917,583 S \* 4/2021 Coulson ..... F24F 11/30  
D15/32  
D930,051 S \* 9/2021 Seggebruch ..... D15/32

\* cited by examiner

*Primary Examiner* — Mark A Goodwin

(74) *Attorney, Agent, or Firm* — Weisun Rao; Jun Chen; Venture Partner, LLC

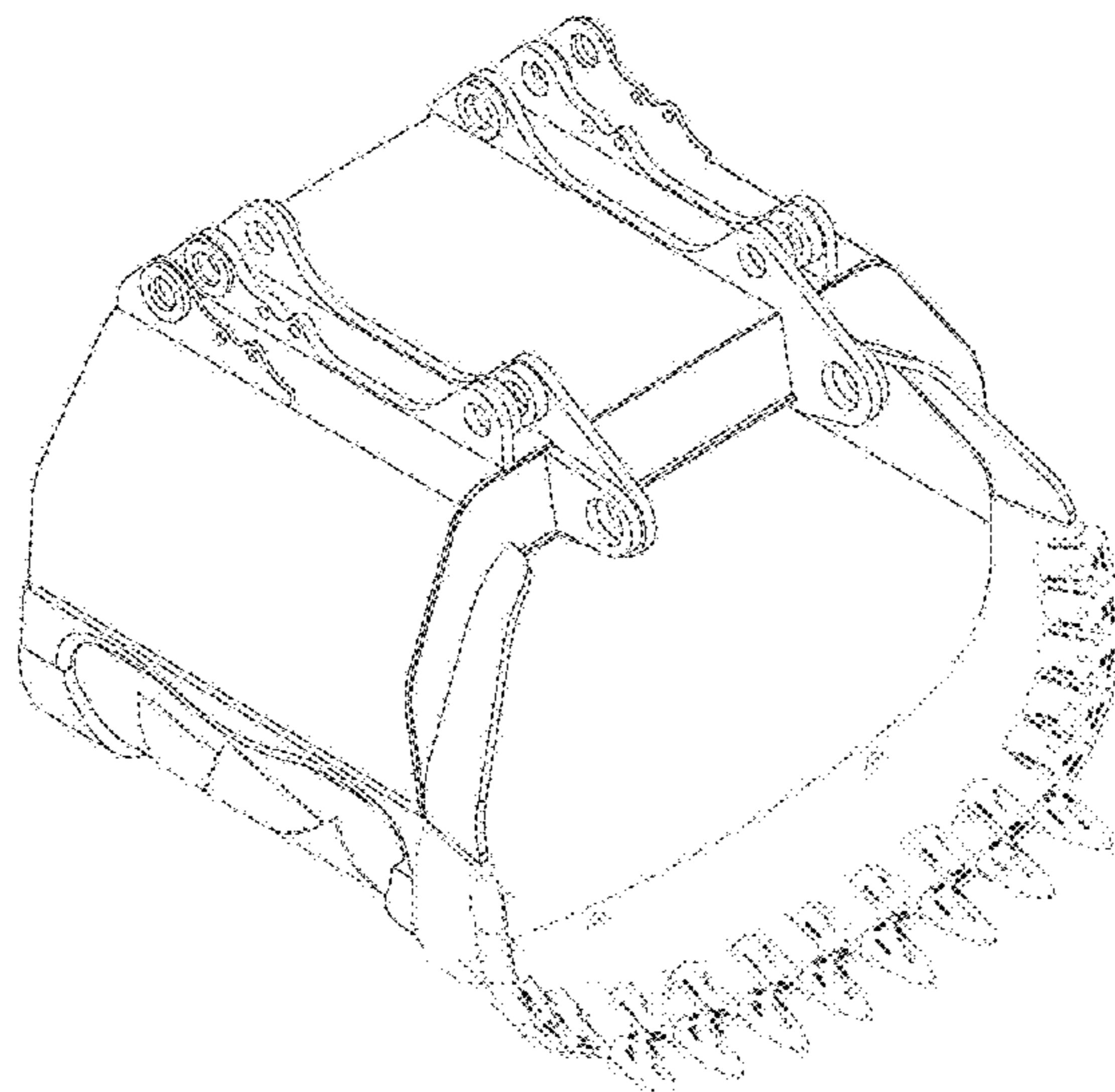
(57) **CLAIM**

I claim the ornamental design for a power shovel bucket body, as shown and described.

**DESCRIPTION**

FIG. 1 is an upper perspective view of an embodiment of my power shovel bucket body;  
FIG. 2 is a lower perspective view of the power shovel bucket body shown in FIG. 1;  
FIG. 3 is a left side view of the power shovel bucket body shown in FIG. 1;  
FIG. 4 is a right side view of the power shovel bucket body shown in FIG. 1;  
FIG. 5 is a top plan view of the power shovel bucket body shown in FIG. 1;  
FIG. 6 is a bottom plan view of the power shovel bucket body shown in FIG. 1;  
FIG. 7 is a front side view of the power shovel bucket body shown in FIG. 1; and,  
FIG. 8 is a rear side view of the power shovel bucket body shown in FIG. 1.  
The dashed lines in the figures represent environment and form no part of the claimed design.

**1 Claim, 8 Drawing Sheets**



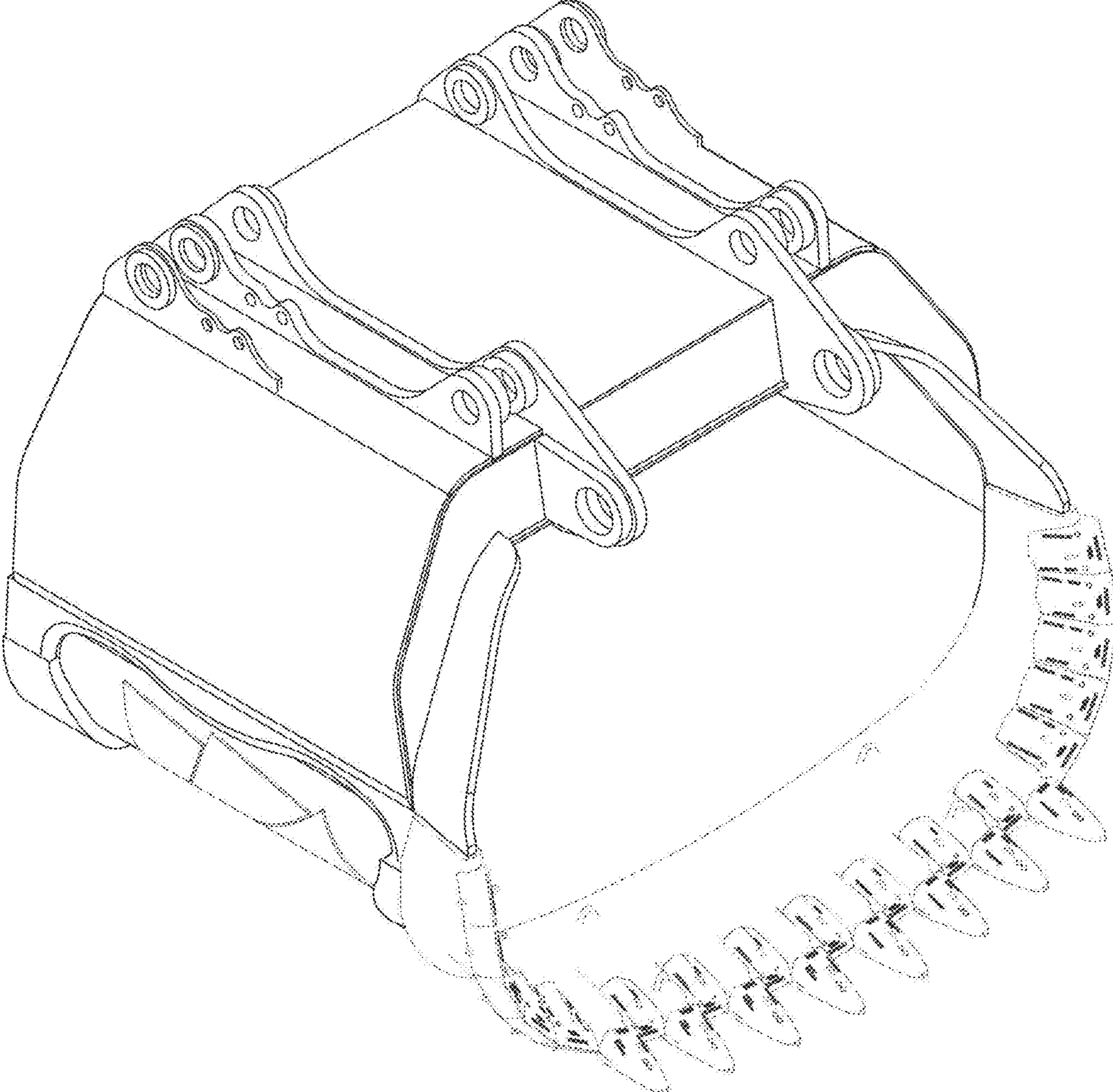


Fig.1

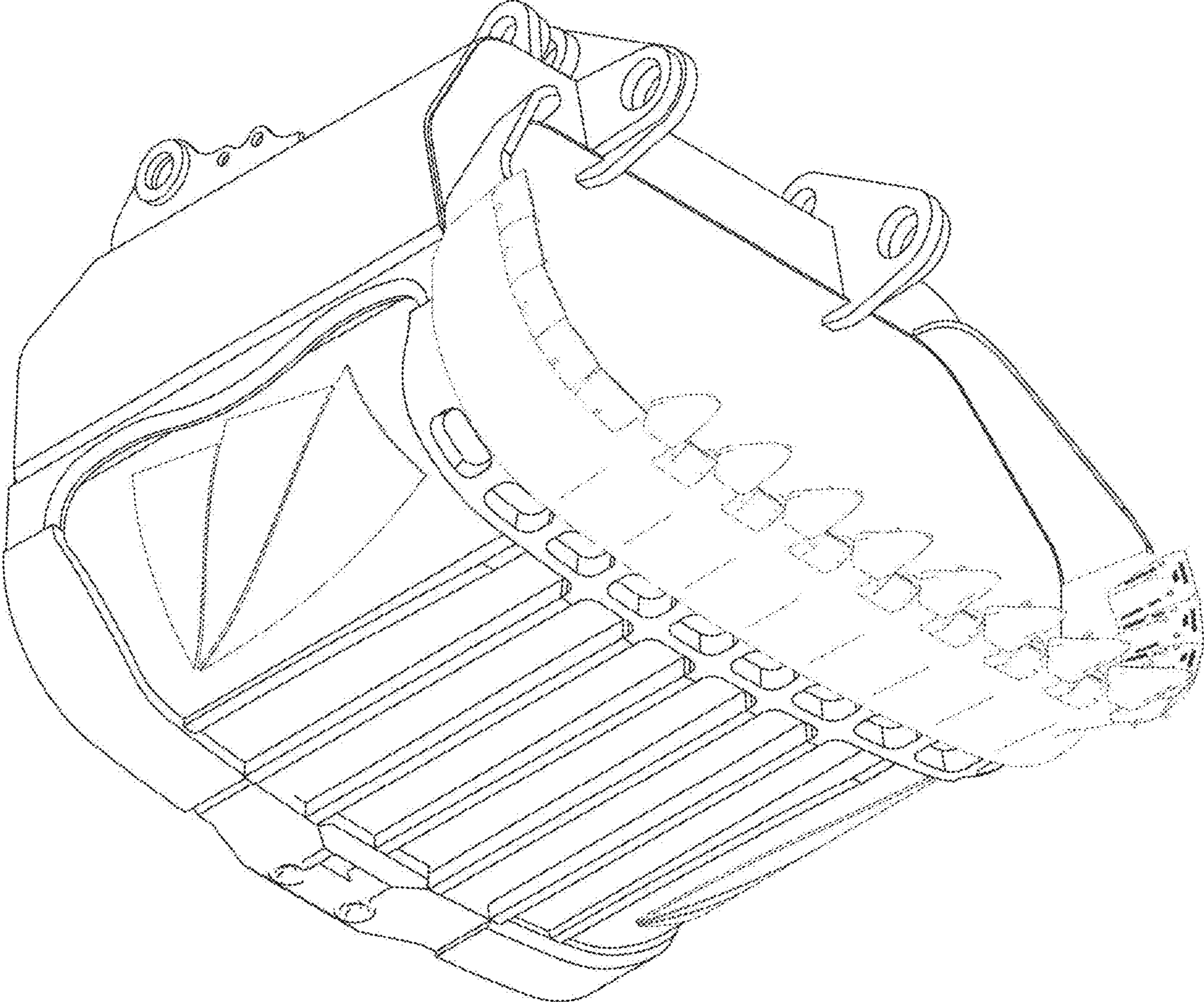


Fig.2

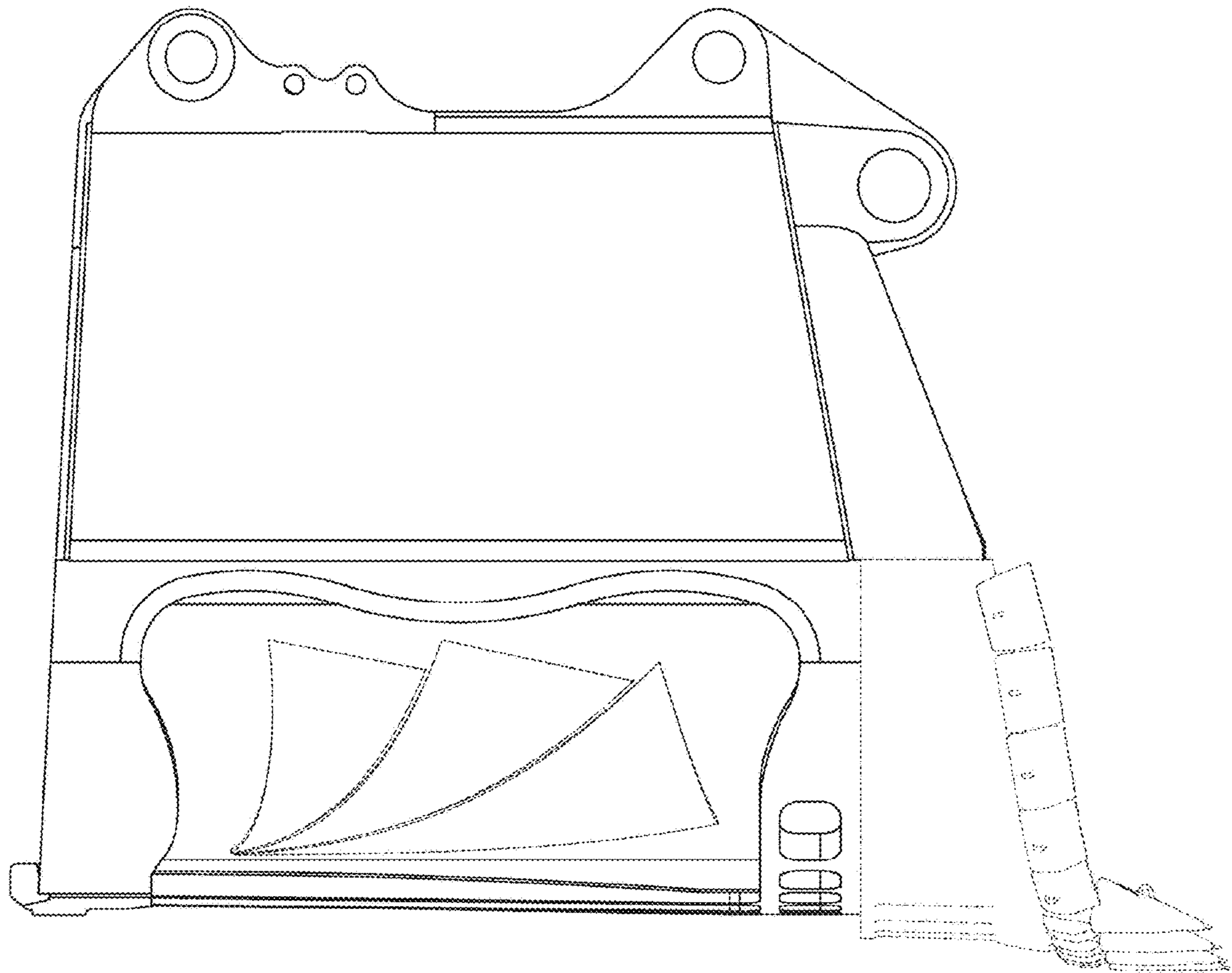


Fig.3

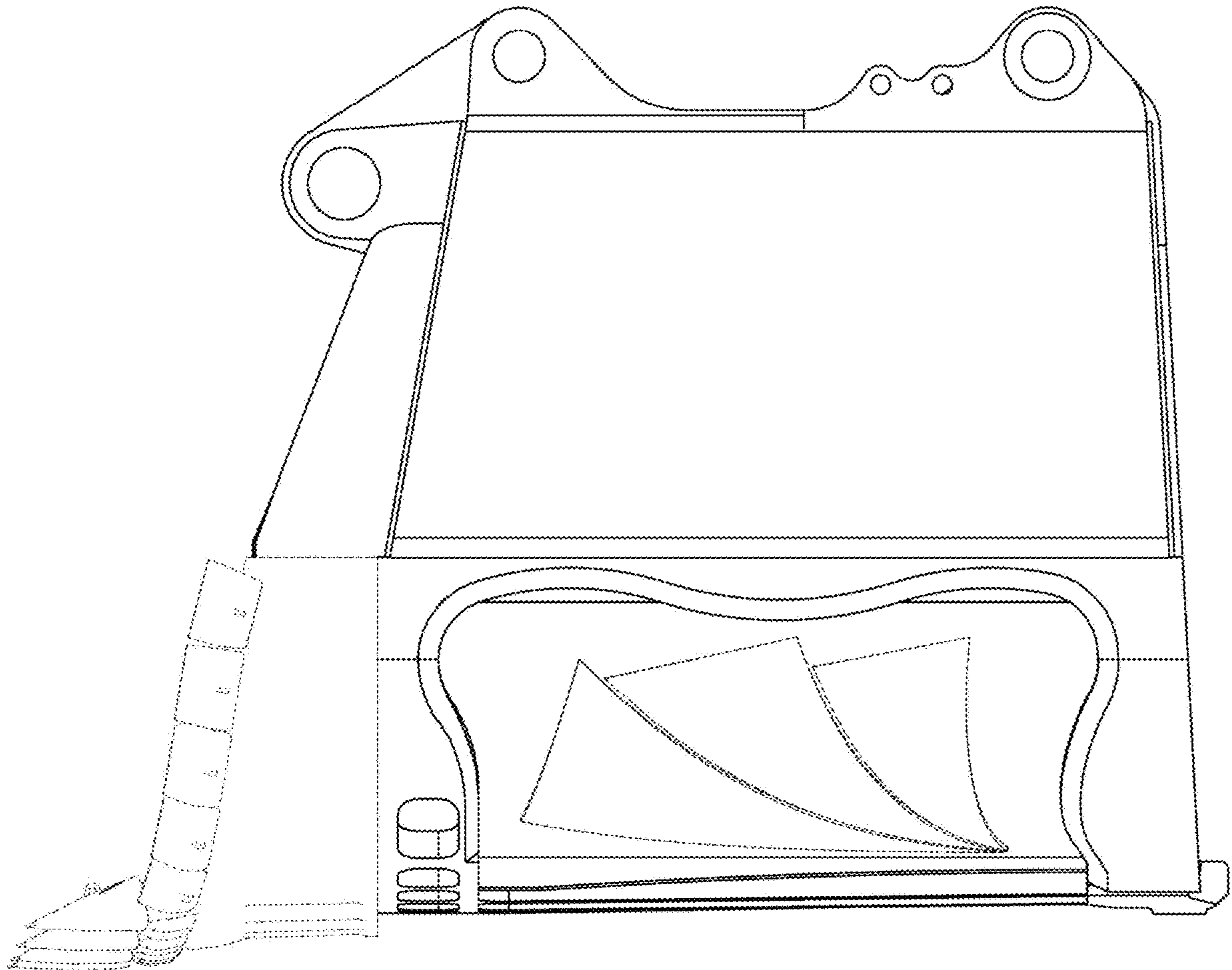


Fig.4

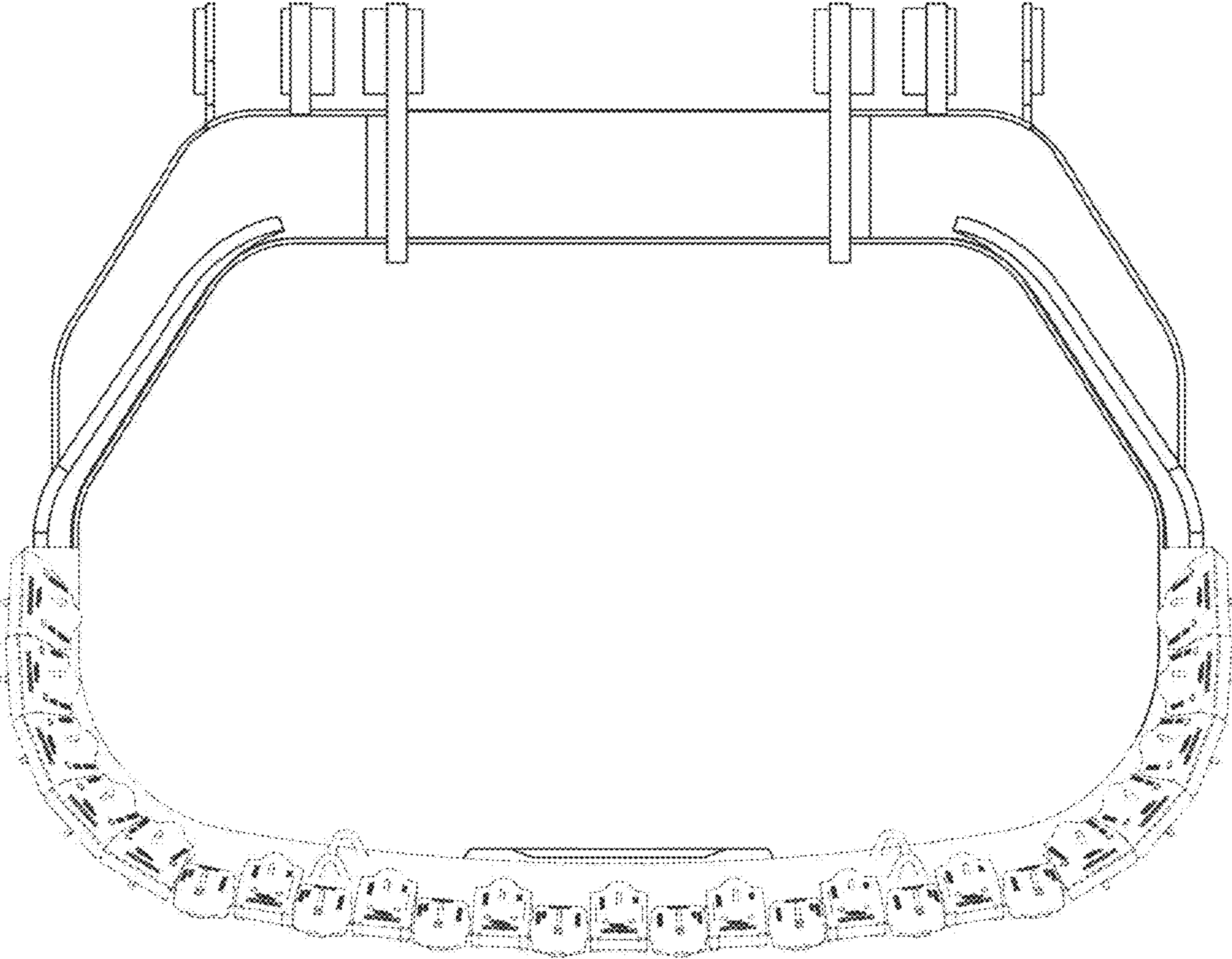


Fig.5

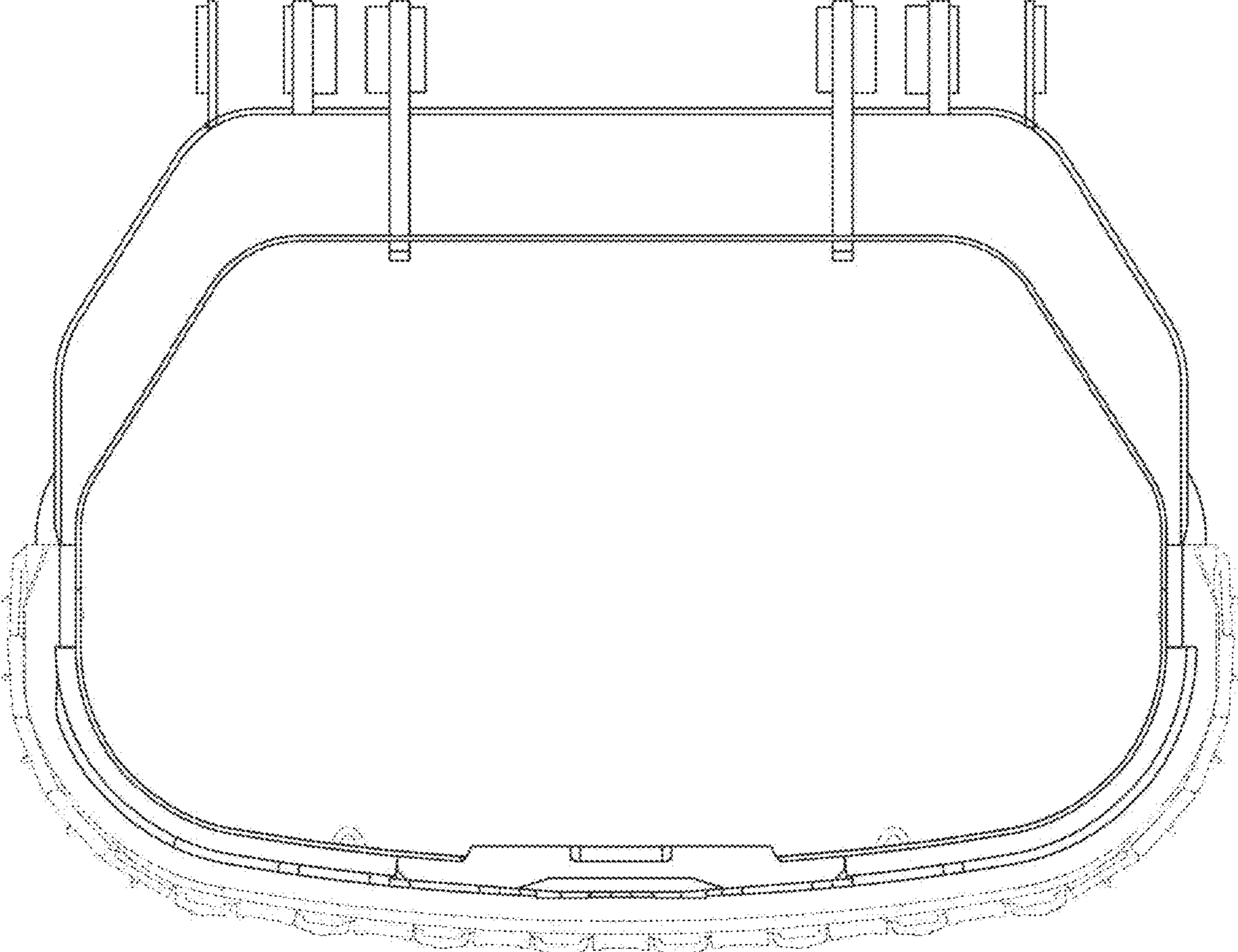


Fig.6

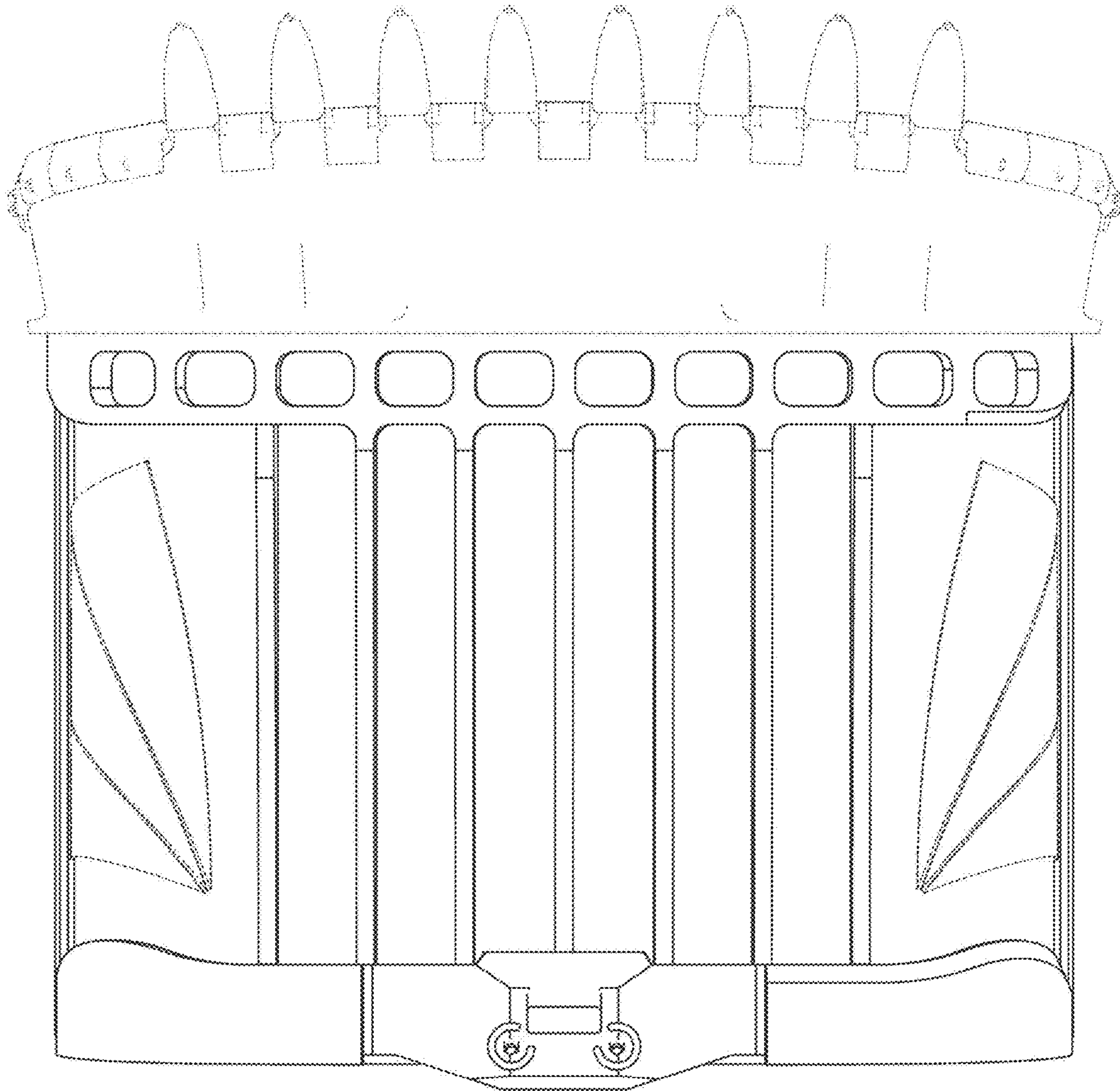


Fig.7



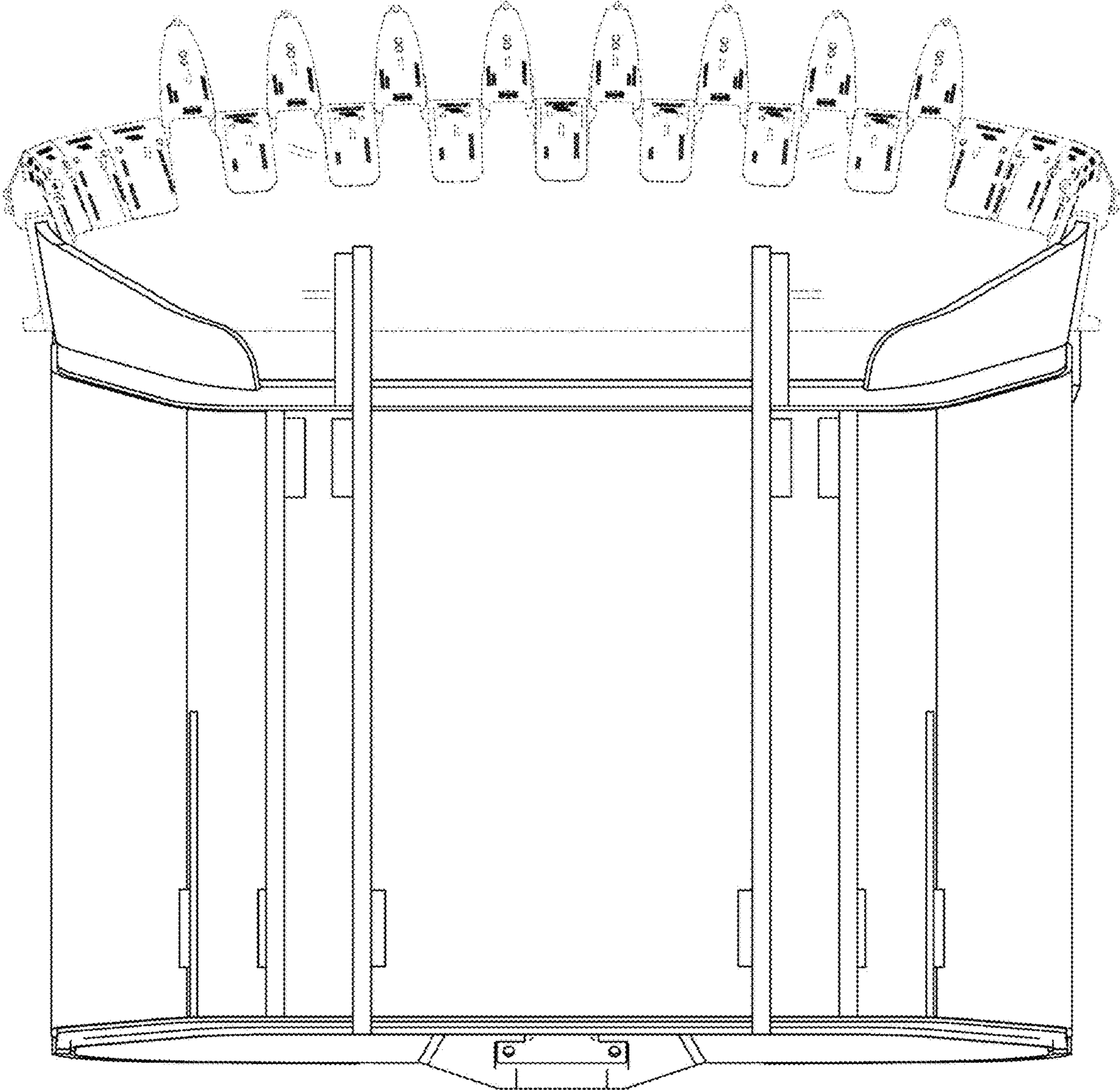


Fig.8