



US00D971970S

(12) **United States Design Patent**
Bako

(10) **Patent No.:** **US D971,970 S**
(45) **Date of Patent:** **** Dec. 6, 2022**

- (54) **BUILDING MACHINE**
- (71) Applicant: **Putzmeister Engineering GmbH,**
Aichtal (DE)
- (72) Inventor: **Peter Bako,** Martin (SK)
- (73) Assignee: **Putzmeister Engineering GmbH,**
Aichtal (DE)
- (**) Term: **15 Years**
- (21) Appl. No.: **29/798,546**
- (22) Filed: **Jul. 8, 2021**
- (51) **LOC (13) Cl.** **15-03**
- (52) **U.S. Cl.**
USPC **D15/31**
- (58) **Field of Classification Search**
USPC D15/10, 11, 13-17, 28, 22-26, 30, 31;
D12/173; 56/13.3, 13.4, 15.8, 15.9,
56/320.1; 180/89.1, 89.12, 900, 69.2,
180/68.1, 69.1
CPC B62D 49/00-085; B62D 25/10;
B62D 25/00; B60R 19/52; B60R 21/38
See application file for complete search history.

- D785,681 S * 5/2017 Okuyama D15/31
- D786,945 S * 5/2017 Smith D15/31
- D861,741 S * 10/2019 Humphrey D15/31
- D896,853 S * 9/2020 Park D15/31
- D928,851 S * 8/2021 Huenink D15/31
- D930,714 S * 9/2021 Lee D15/31

FOREIGN PATENT DOCUMENTS

- EM 000632815-0010 1/2007
- EM 002255448-0001 6/2013

* cited by examiner

Primary Examiner — Mark A Goodwin

(74) *Attorney, Agent, or Firm* — Crowell & Moring LLP

(56) **References Cited**

U.S. PATENT DOCUMENTS

- D635,154 S * 3/2011 Rummer D15/31
- D784,426 S * 4/2017 Okuyama D15/31

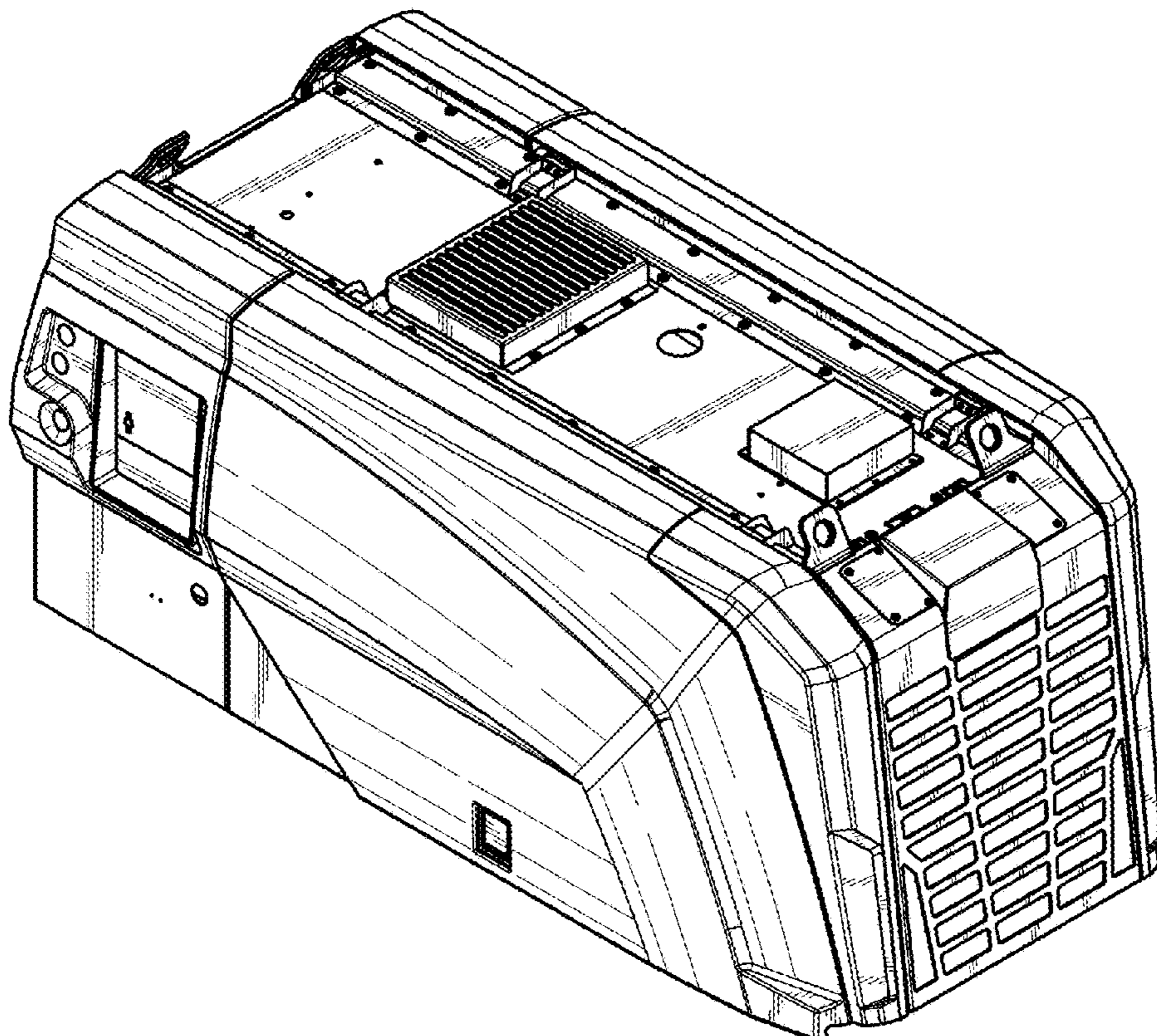
(57) **CLAIM**

The ornamental design for a building machine, as shown and described.

DESCRIPTION

FIG. 1 is a perspective view of a building machine according to our new design;
 FIG. 2 is a front view thereof;
 FIG. 3 is a rear view thereof;
 FIG. 4 is a left-side view thereof;
 FIG. 5 is a right-side view thereof;
 FIG. 6 is a top view thereof; and,
 FIG. 7 is a bottom view thereof.

1 Claim, 7 Drawing Sheets



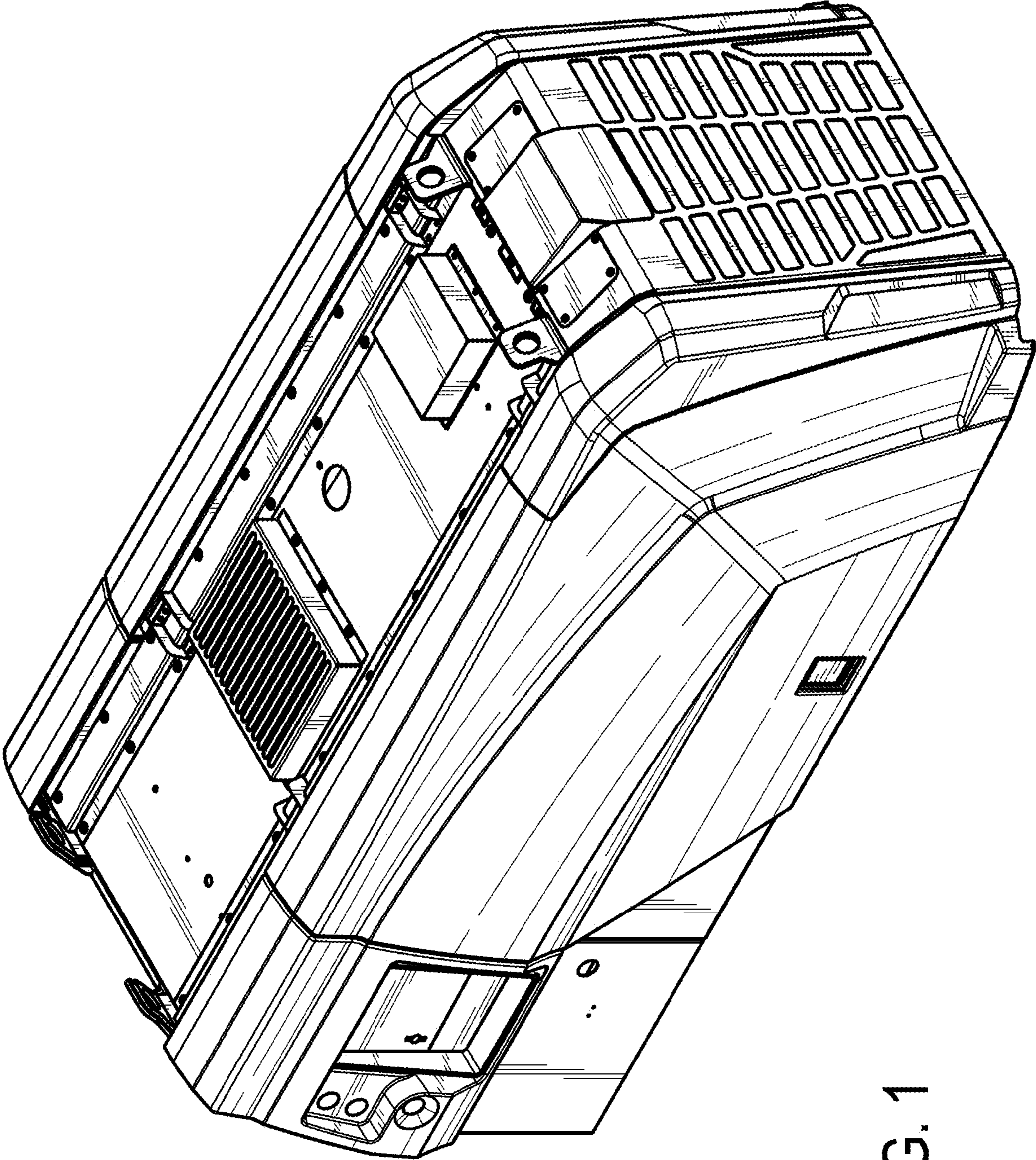


FIG. 1

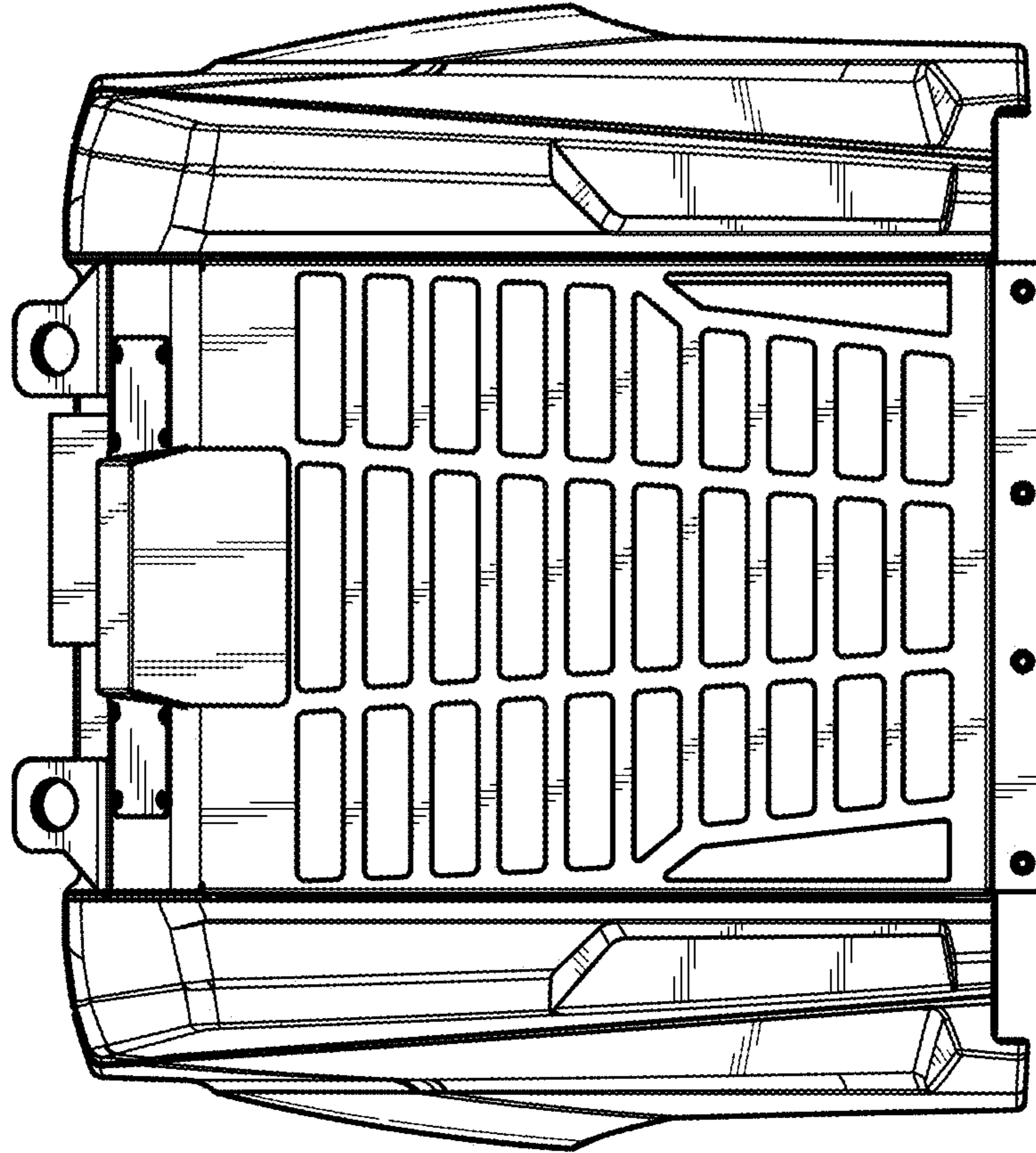


FIG. 2

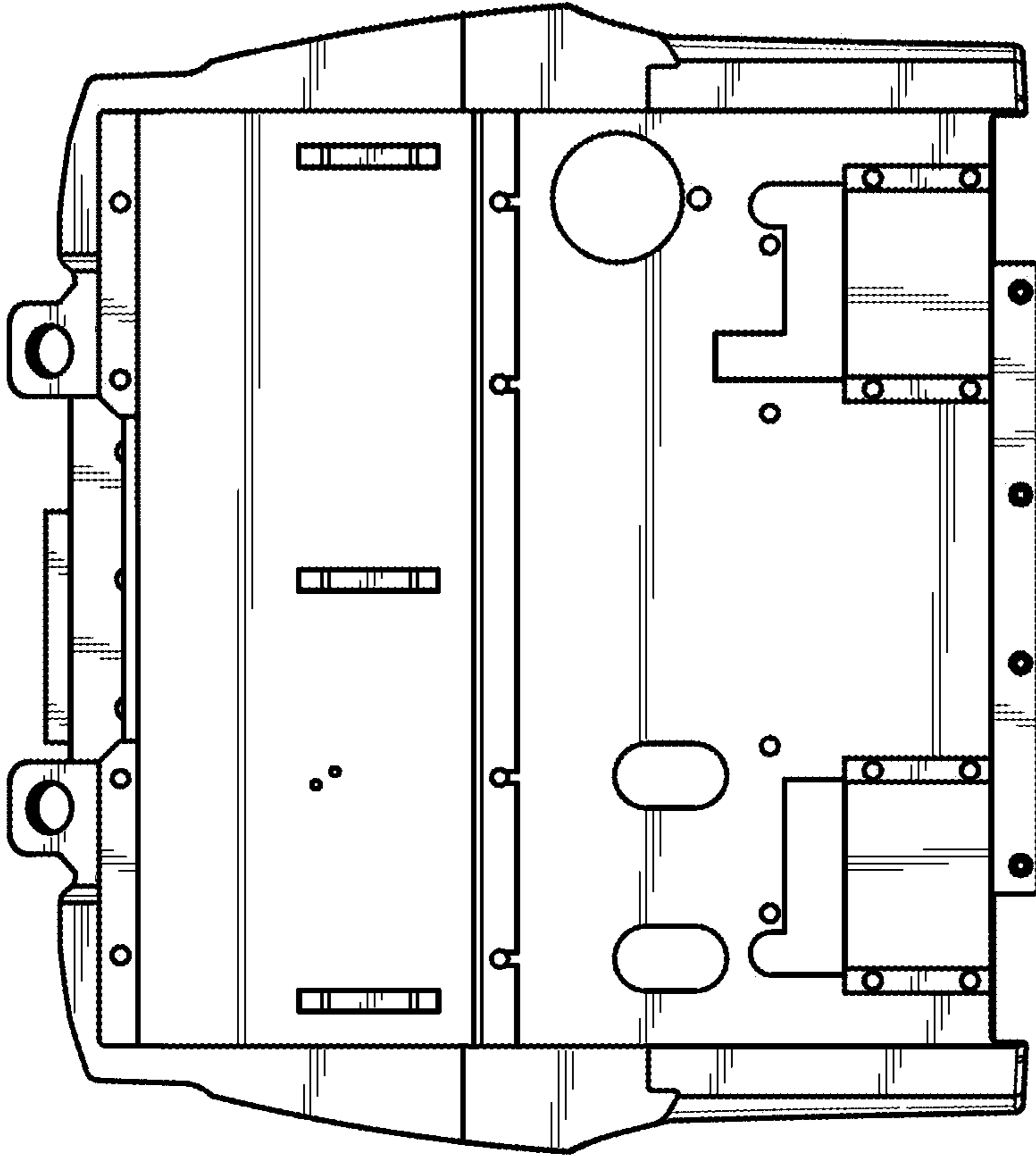


FIG. 3



FIG. 4

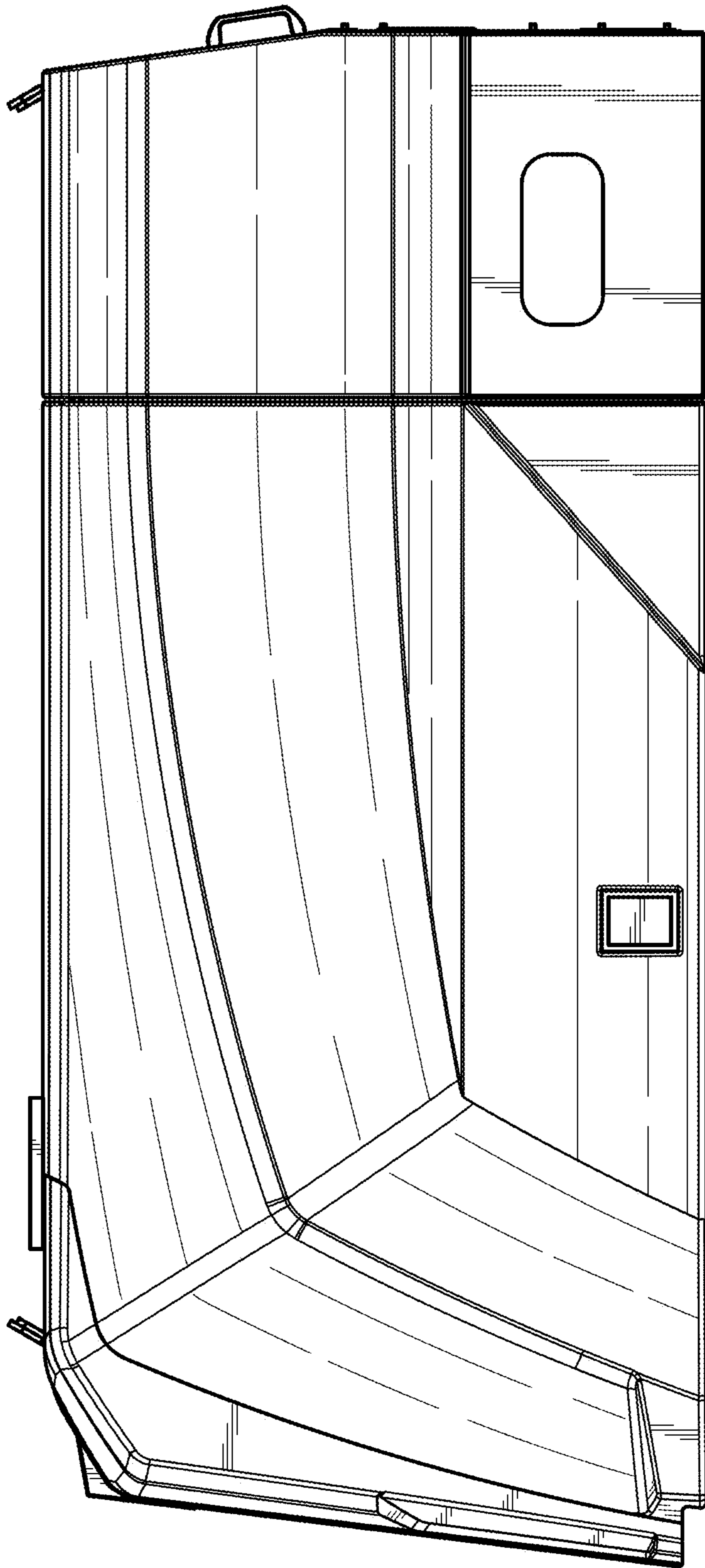


FIG. 5

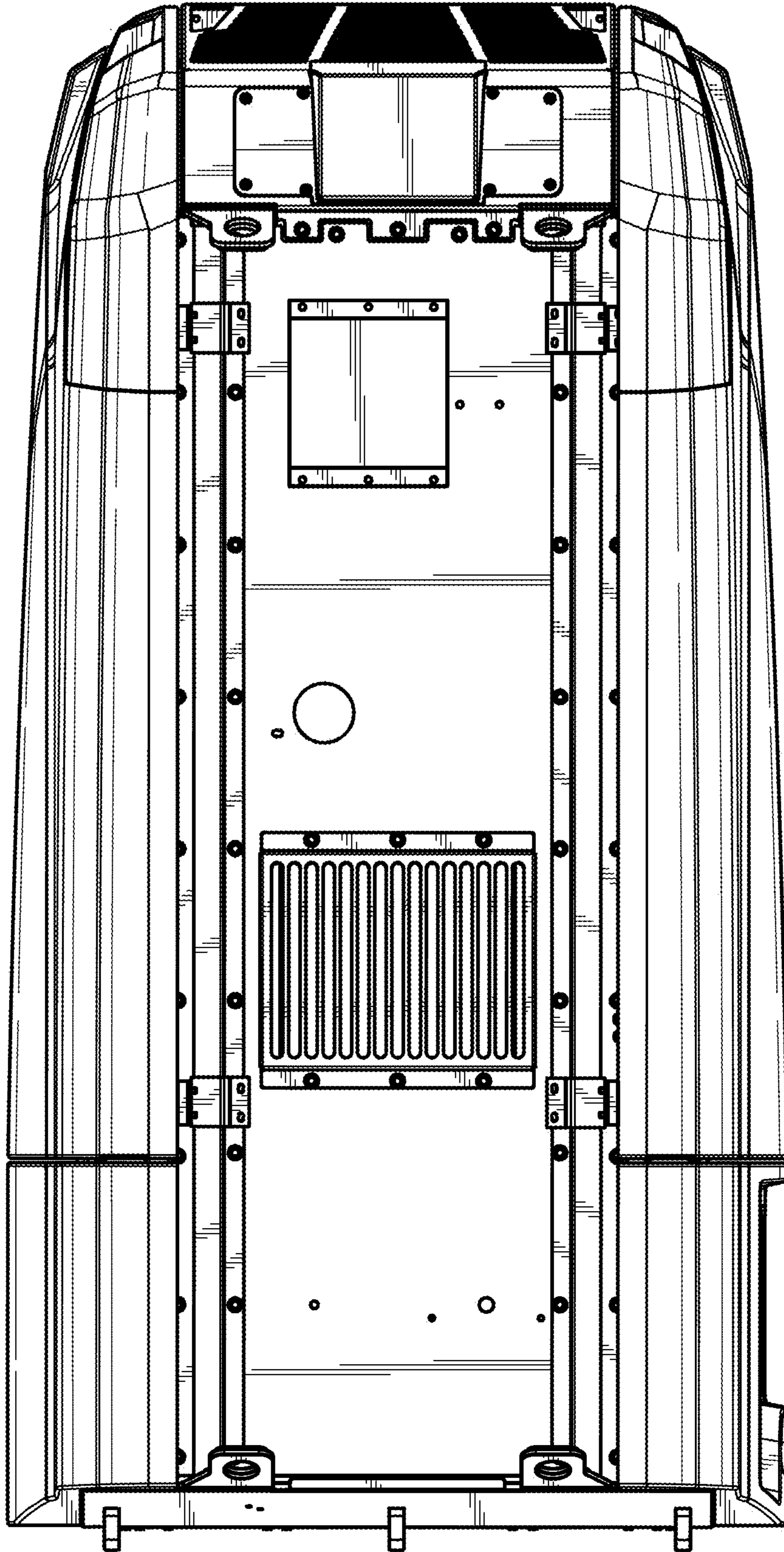


FIG. 6

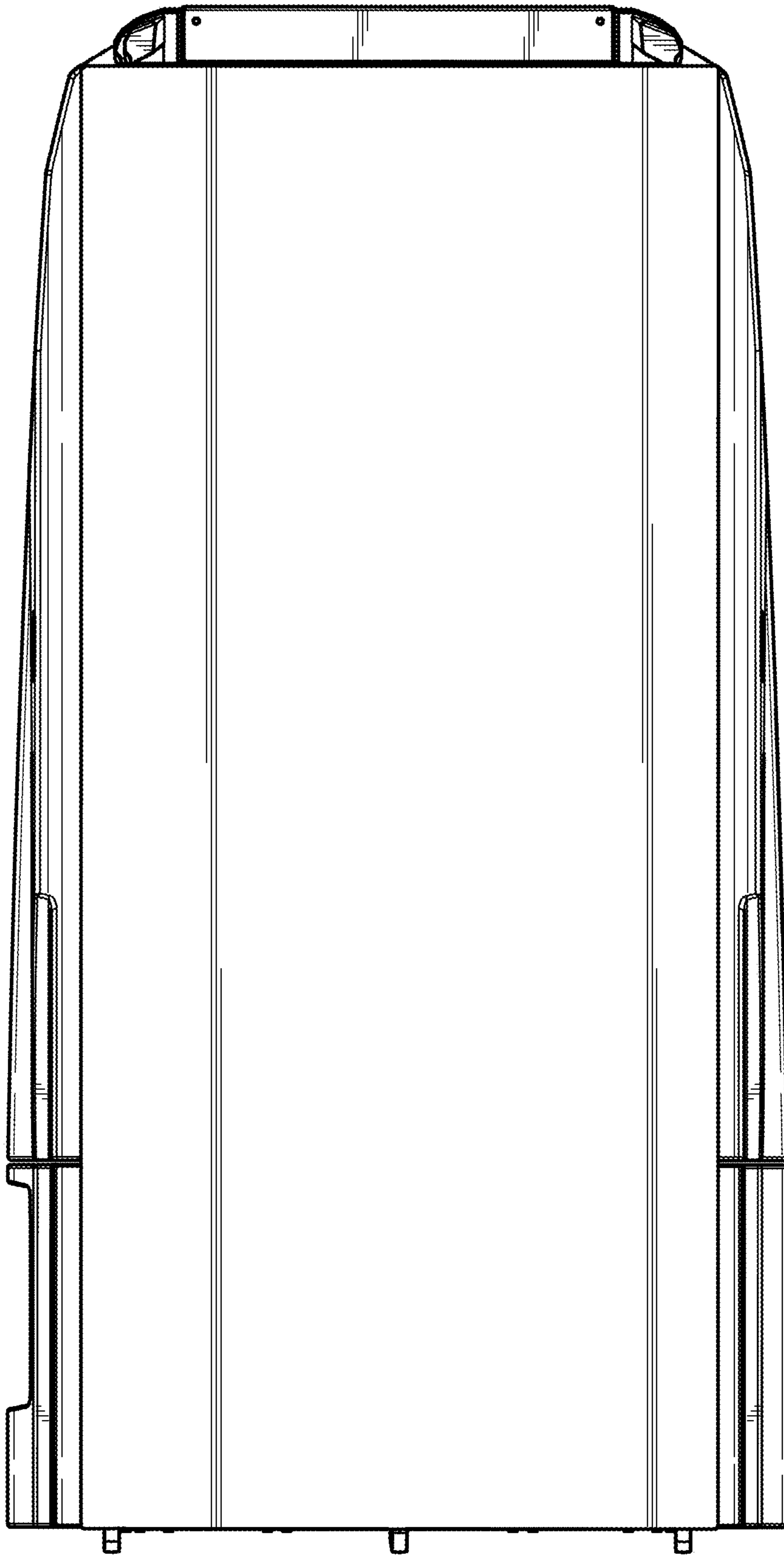


FIG. 7