



US00D971968S

(12) **United States Design Patent**
Hemry et al.

(10) **Patent No.:** **US D971,968 S**
(45) **Date of Patent:** **** Dec. 6, 2022**

(54) **SCREED COMPONENT**

(71) Applicant: **CATERPILLAR PAVING PRODUCTS INC.**, Brooklyn Park, MN (US)

(72) Inventors: **Michael S. Hemry**, Maple Grove, MN (US); **John E. Jorgensen**, Andover, MN (US); **Monica Agnieszka Orfei**, North St. Paul, MN (US); **Cameron E. Graves**, Summerset, SD (US); **Dustin W. Bryan**, Blaine, MN (US)

(73) Assignee: **Caterpillar Paving Products Inc.**, Brooklyn Park, MN (US)

(**) Term: **15 Years**

(21) Appl. No.: **29/721,904**

(22) Filed: **Jan. 24, 2020**

(51) **LOC (13) Cl.** **15-04**

(52) **U.S. Cl.**
USPC **D15/19; D15/28**

(58) **Field of Classification Search**
USPC D15/13, 19, 22-26, 28
CPC E01C 19/00; E01C 19/48; E01C 19/4873
See application file for complete search history.

(56) **References Cited**

U.S. PATENT DOCUMENTS

D575,412 S *	8/2008	Beard, Jr.	D25/102
D581,060 S *	11/2008	Beard, Jr.	D25/102
D672,790 S *	12/2012	Kopacz	D15/19
D673,981 S *	1/2013	Kopacz	D15/19
D696,699 S *	12/2013	Kopacz	D15/28
D700,633 S *	3/2014	Giles	D15/19
D719,983 S *	12/2014	Ewringmann	D15/19
D745,062 S *	12/2015	Ewringmann	D15/19
9,212,458 B2	12/2015	Kappel		
D753,189 S *	4/2016	Ewringmann	D15/19
D758,833 S *	6/2016	Stites, Jr.	D8/380

D771,720 S *	11/2016	Ewringmann	D15/19
D772,948 S *	11/2016	Ewringmann	D15/19
D772,949 S *	11/2016	Ewringmann	D15/19
D772,950 S *	11/2016	Ewringmann	D15/19
9,670,629 B2	6/2017	Buschmann et al.		
D820,324 S *	6/2018	Ewringmann	D15/19

(Continued)

FOREIGN PATENT DOCUMENTS

CN	108951380 A	12/2018
DE	102012011693 B4	12/2013

(Continued)

Primary Examiner — Michael C Stout
Assistant Examiner — Fritzgerald L Butac

(74) *Attorney, Agent, or Firm* — Finnegan, Henderson, Farabow, Garrett & Dunner, LLP

(57) **CLAIM**

The ornamental design for a screed component, as shown and described.

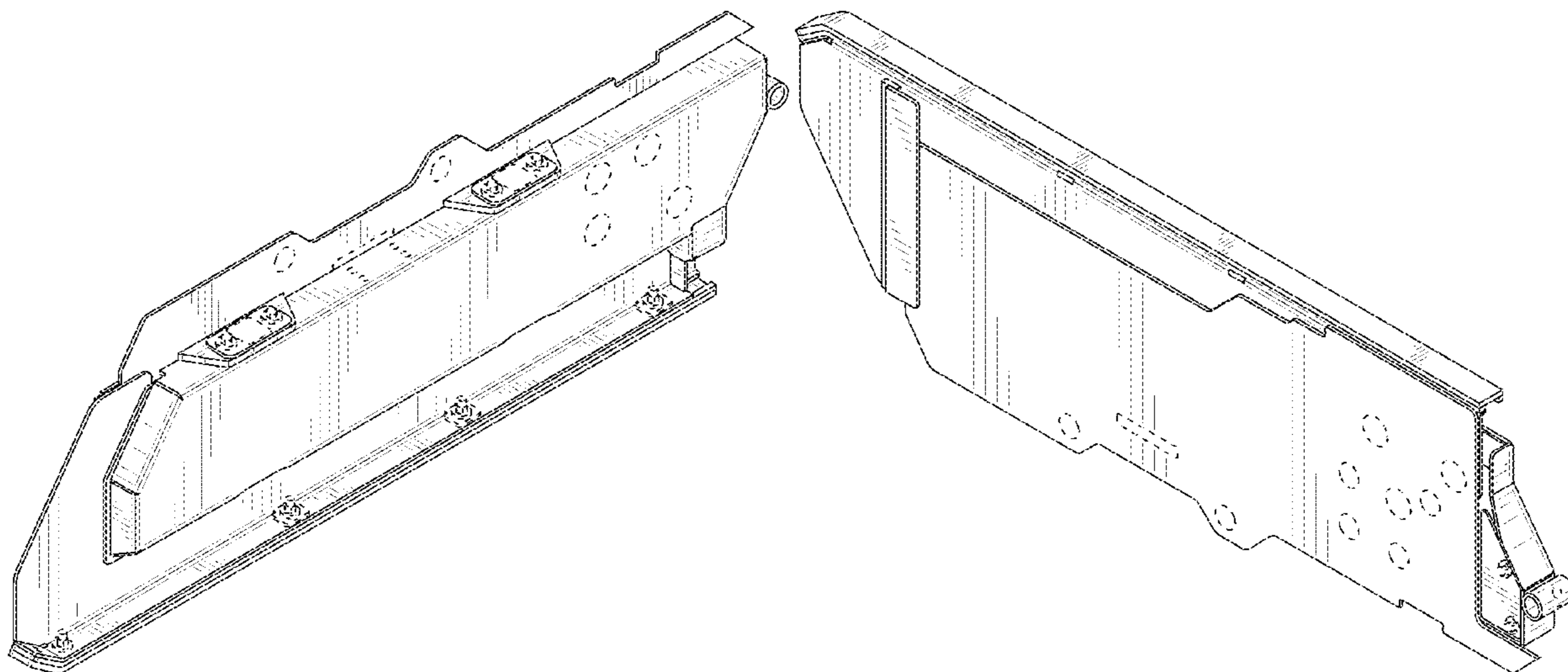
DESCRIPTION

FIG. 1 is a front, top, left perspective view of a screed component showing the new design;
FIG. 2 is a rear, bottom, right perspective view thereof;
FIG. 3 is front elevation view thereof;
FIG. 4 is a rear elevation view thereof;
FIG. 5 is a left-side elevation view thereof;
FIG. 6 is a right-side elevation view thereof;
FIG. 7 is a top plan view thereof;
FIG. 8 is a bottom plan view thereof; and,
FIG. 9 is a front, top, right perspective view thereof, in an environment of use.

The broken lines show portions of a screed component that form no part of the claimed design.

The broken lines seen in FIG. 9 are for the purpose of showing environmental structure, and form no part of the claimed design.

1 Claim, 9 Drawing Sheets



(56)

References Cited

U.S. PATENT DOCUMENTS

D820,325 S * 6/2018 Ewringmann D15/19
D820,326 S * 6/2018 Ewringmann D15/19
D820,886 S * 6/2018 Ewringmann D15/19
D897,381 S * 9/2020 Henry D15/31
D941,367 S * 1/2022 Behn D15/30
2015/0337504 A1* 11/2015 Jorgensen E01C 19/4833
404/114
2019/0145063 A1* 5/2019 Jorgensen E01C 19/48
404/118
2020/0149230 A1* 5/2020 Berns E01C 19/48
2020/0299908 A1* 9/2020 Wehrenberg E01C 19/4873
2021/0285167 A1* 9/2021 Graves F16B 5/0642

FOREIGN PATENT DOCUMENTS

EP 0774542 B1 5/1997
FR 2675522 B1 10/1992
JP 3468630 B2 11/2003

* cited by examiner

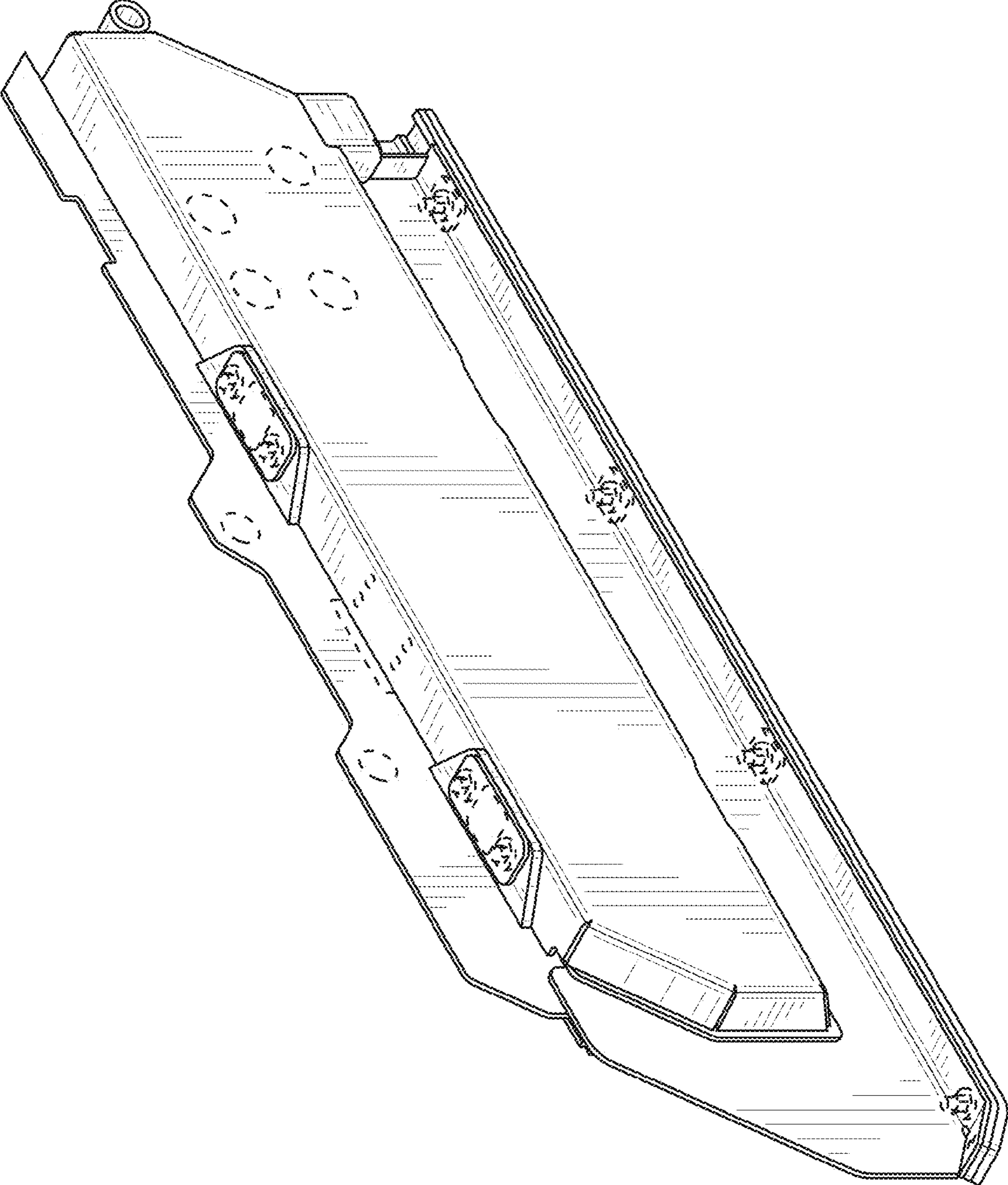


FIG. 1

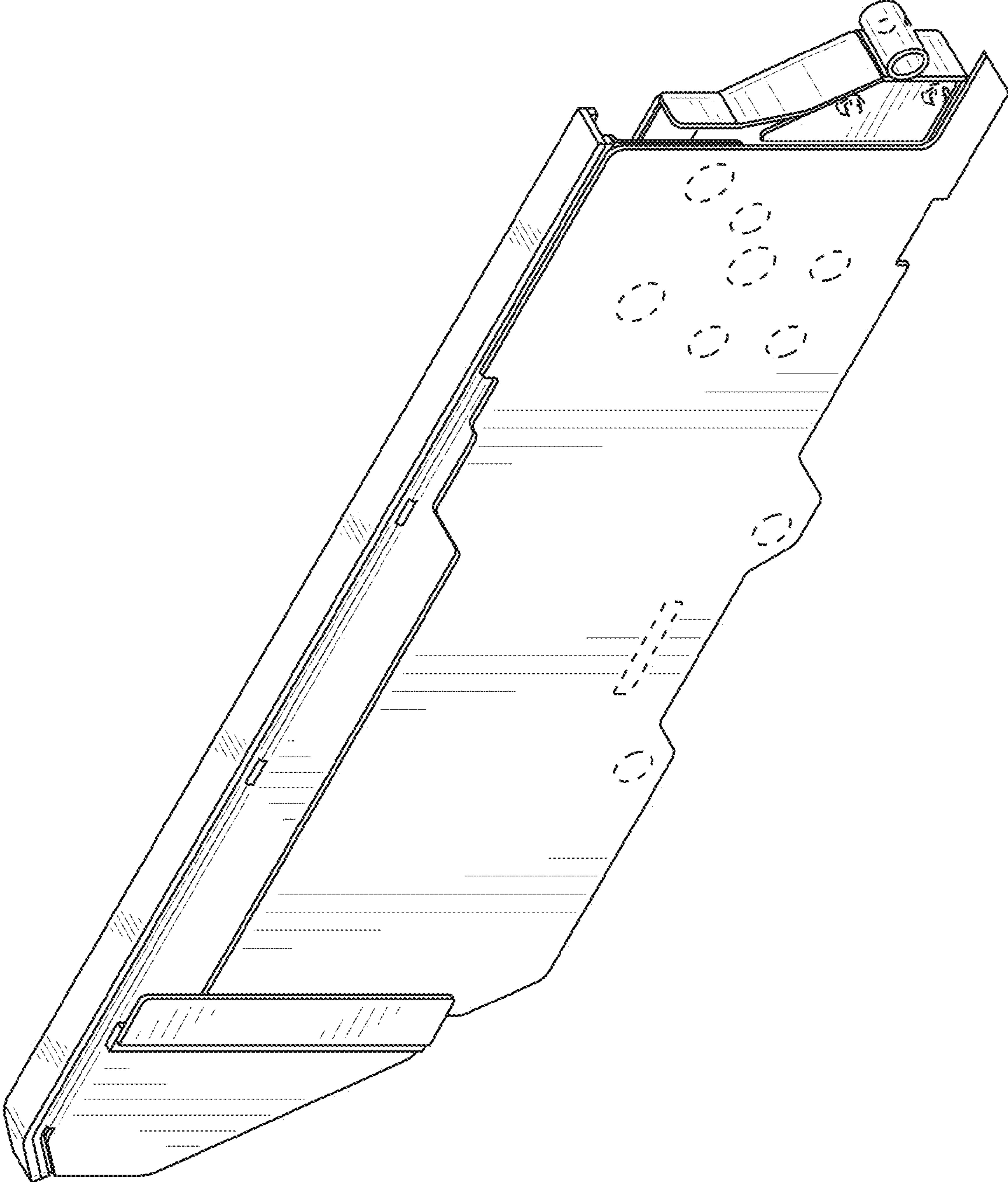


FIG. 2

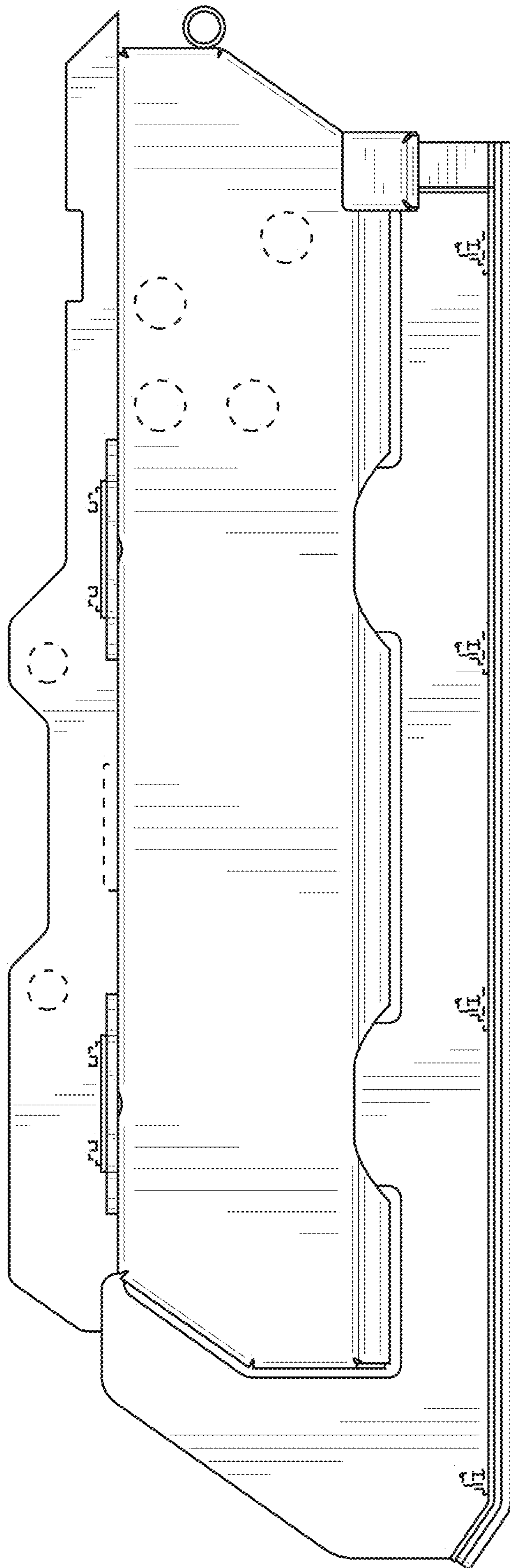


FIG. 3

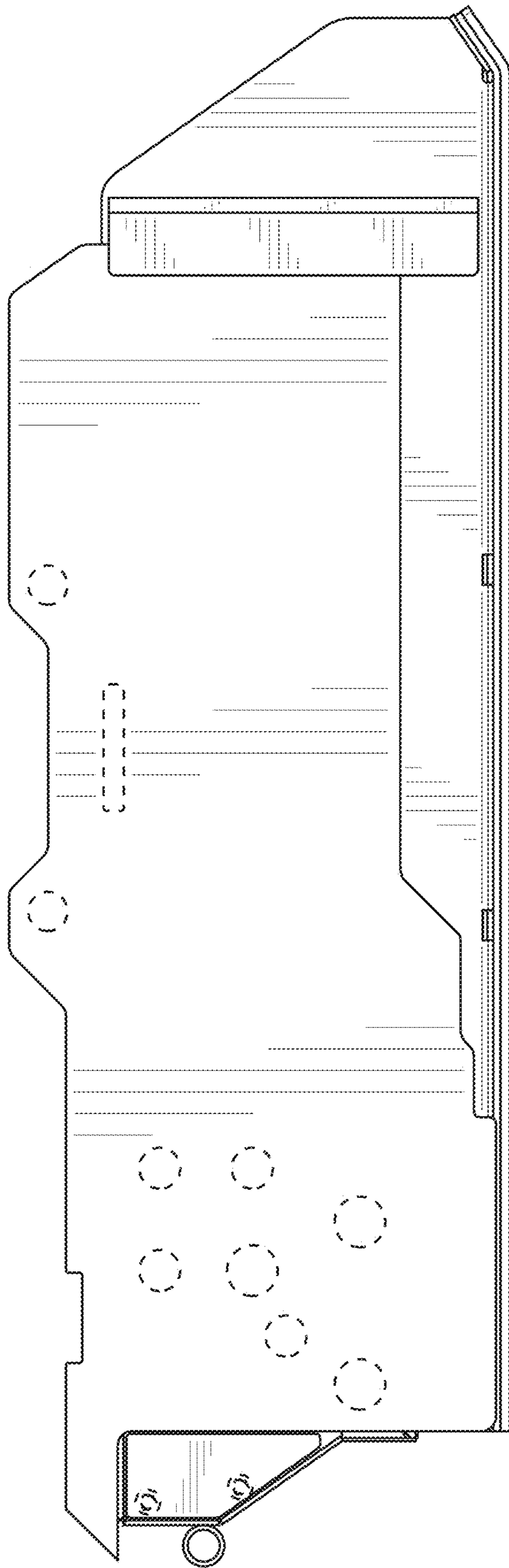


FIG. 4

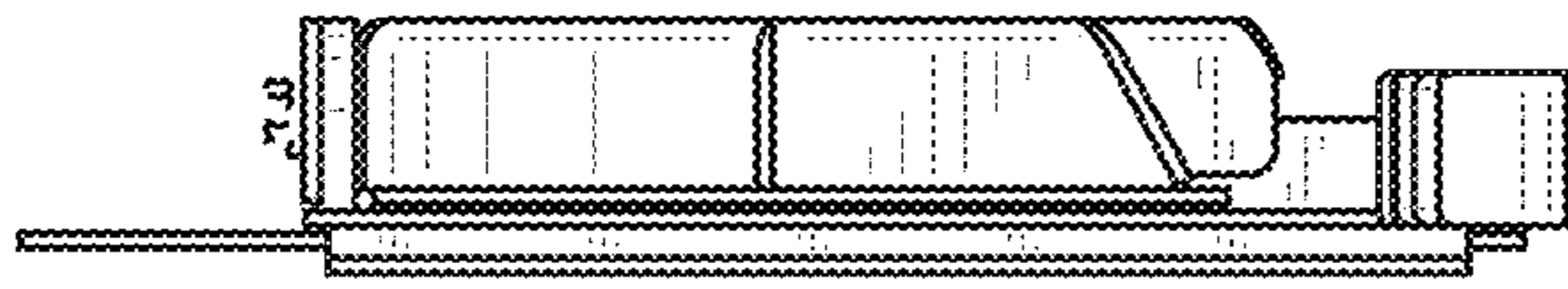


FIG. 5

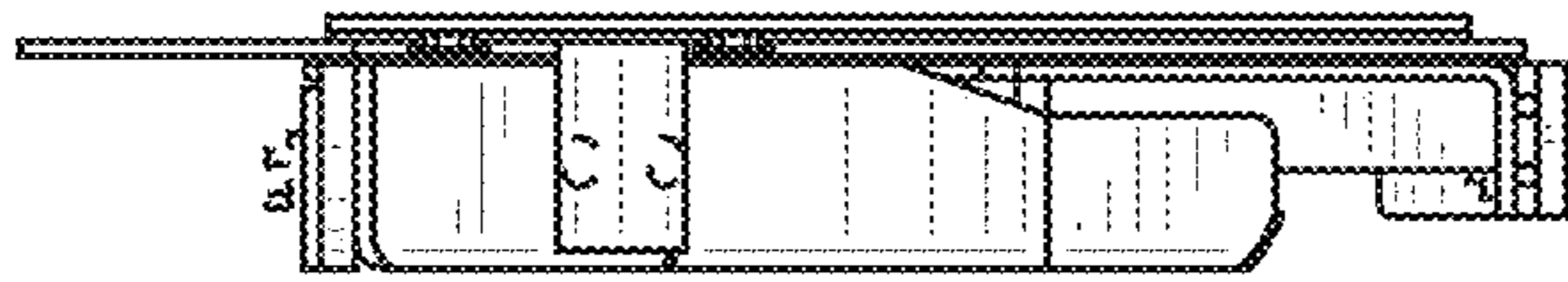


FIG. 6

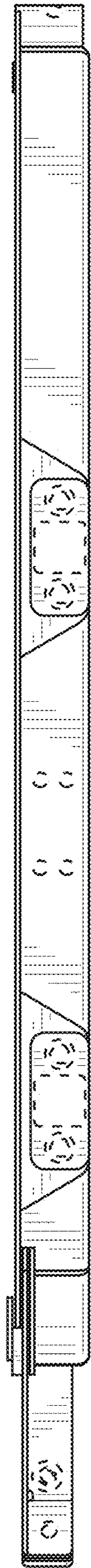


FIG. 7

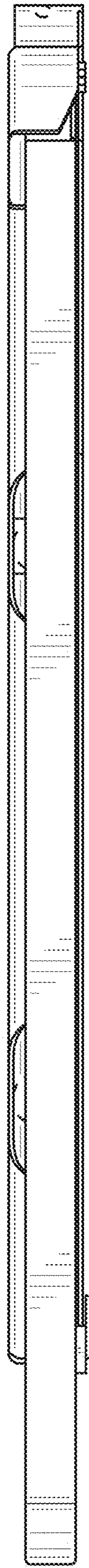


FIG. 8



FIG. 9