

US00D971967S

(12) **United States Design Patent** (10) **Patent No.:** **US D971,967 S**
Lichtnecker et al. (45) **Date of Patent:** **** Dec. 6, 2022**

(54) **METERING PUMP**

F04B 17/048; F04B 35/04; F04B 43/04;
F04B 43/043; F04B 13/02; F04B 53/22

(71) Applicant: **ViscoTec Pumpen- und Dosiertechnik GmbH, Töging am Inn (DE)**

See application file for complete search history.

(72) Inventors: **Raphael Lichtnecker, Töging am Inn (DE); Angelo Schulz, Töging am Inn (DE); Horst Kelsch, Töging am Inn (DE)**

(56) **References Cited**

U.S. PATENT DOCUMENTS

(73) Assignee: **VISCOTEC PUMPEN—UND DOSIERTECHNIK GMBH, Töging am Inn (DE)**

D691,178 S *	10/2013	Lambinet	D15/7
D691,179 S *	10/2013	Charriere	D15/7
D725,679 S *	3/2015	Charriere	D15/7
D729,848 S *	5/2015	Charriere	D15/7
D769,943 S *	10/2016	Charriere	D15/7
D850,489 S *	6/2019	Charriere	D15/7
D851,130 S *	6/2019	Mahieux	D15/7
D858,581 S *	9/2019	Charriere	D15/7
D864,252 S *	10/2019	Charriere	D15/7
D933,714 S *	10/2021	Brevini	D15/7

(**) Term: **15 Years**

(21) Appl. No.: **35/511,368**

FOREIGN PATENT DOCUMENTS

(22) Filed: **Aug. 12, 2020**

EP	2022571 A1 *	2/2009	B05C 11/1034
EP	2026044 A1 *	2/2009	G01F 11/029
EP	2213835 A1 *	8/2010	F01C 1/107

(80) **Hague Agreement Data**

Int. Filing Date: **Aug. 12, 2020**
Int. Reg. No.: **DM/210805**
Int. Reg. Date: **Aug. 12, 2020**
Int. Reg. Pub. Date: **Feb. 12, 2021**

(Continued)

Primary Examiner — Richard E Chilcot
(74) *Attorney, Agent, or Firm* — Alleman Hall Creasman & Tuttle LLP

(30) **Foreign Application Priority Data**

Feb. 13, 2020 (EM) 007690516

(51) **LOC (13) Cl.** **15-02**

(52) **U.S. Cl.**

USPC **D15/9**

CPC **F24D 5/00** (2013.01)

(58) **Field of Classification Search**

USPC D23/206, 213, 225, 231, 232, 387, 421;
D15/5-9, 199

CPC F24H 2240/00; F24H 2240/02; F24H 2240/04; F24H 2240/06; F22D 5/00; G01F 7/00; F04D 13/06; F04D 29/041; F04D 29/22; F04D 29/60; F04D 29/605; F04D 15/0088; F04D 15/0066; F04D 15/0245; F04B 17/03; F04B 17/046;

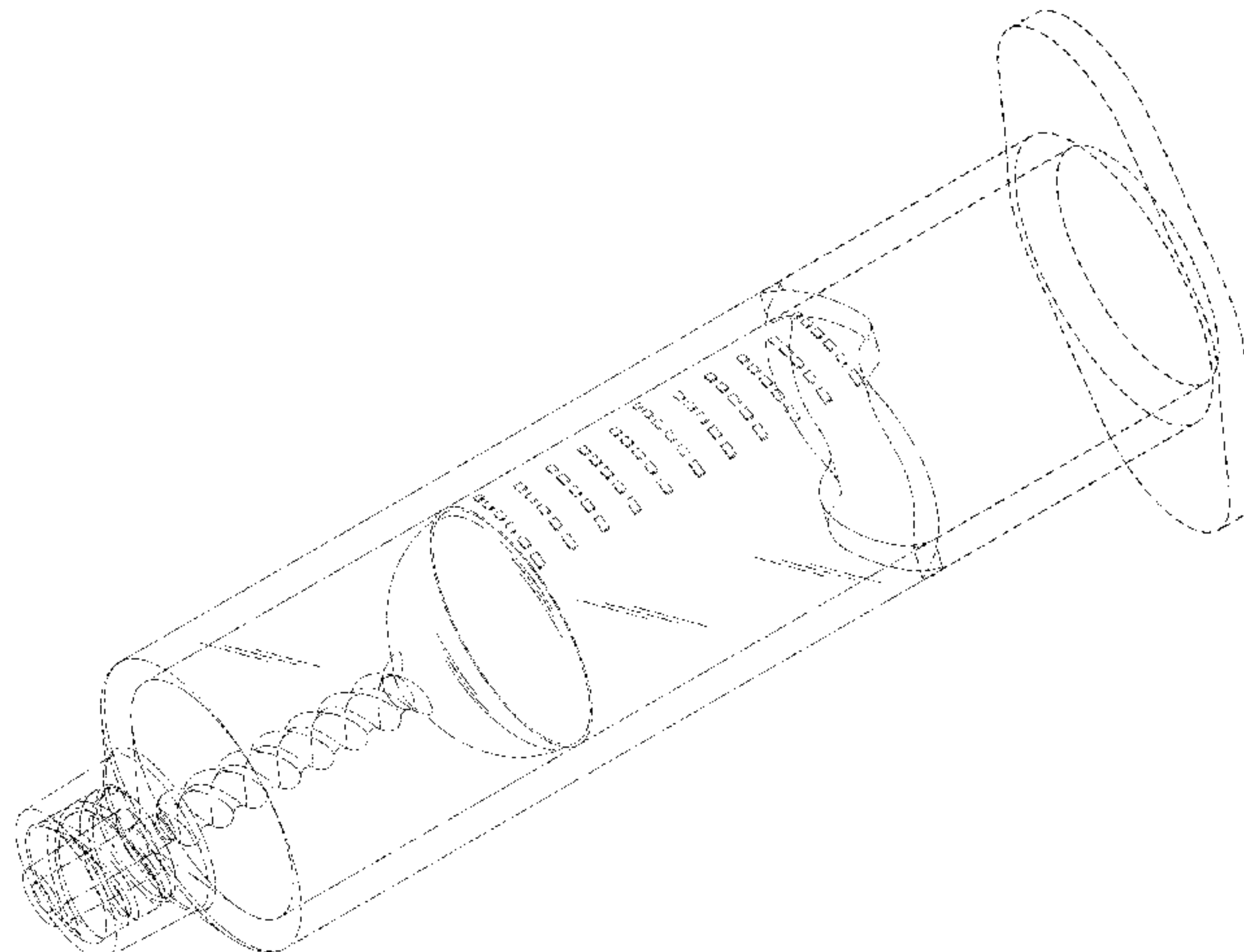
(57) **CLAIM**

The ornamental design for a metering pump, as shown and described.

DESCRIPTION

- 1. Metering pump
- 1.1: Perspective
- 1.2: Front
- 1.3: Back
- 1.4: Top
- 1.5: Bottom
- 1.6: Right
- 1.7: Left

(Continued)



The broken lines shown in the drawings form no part of the claimed design.

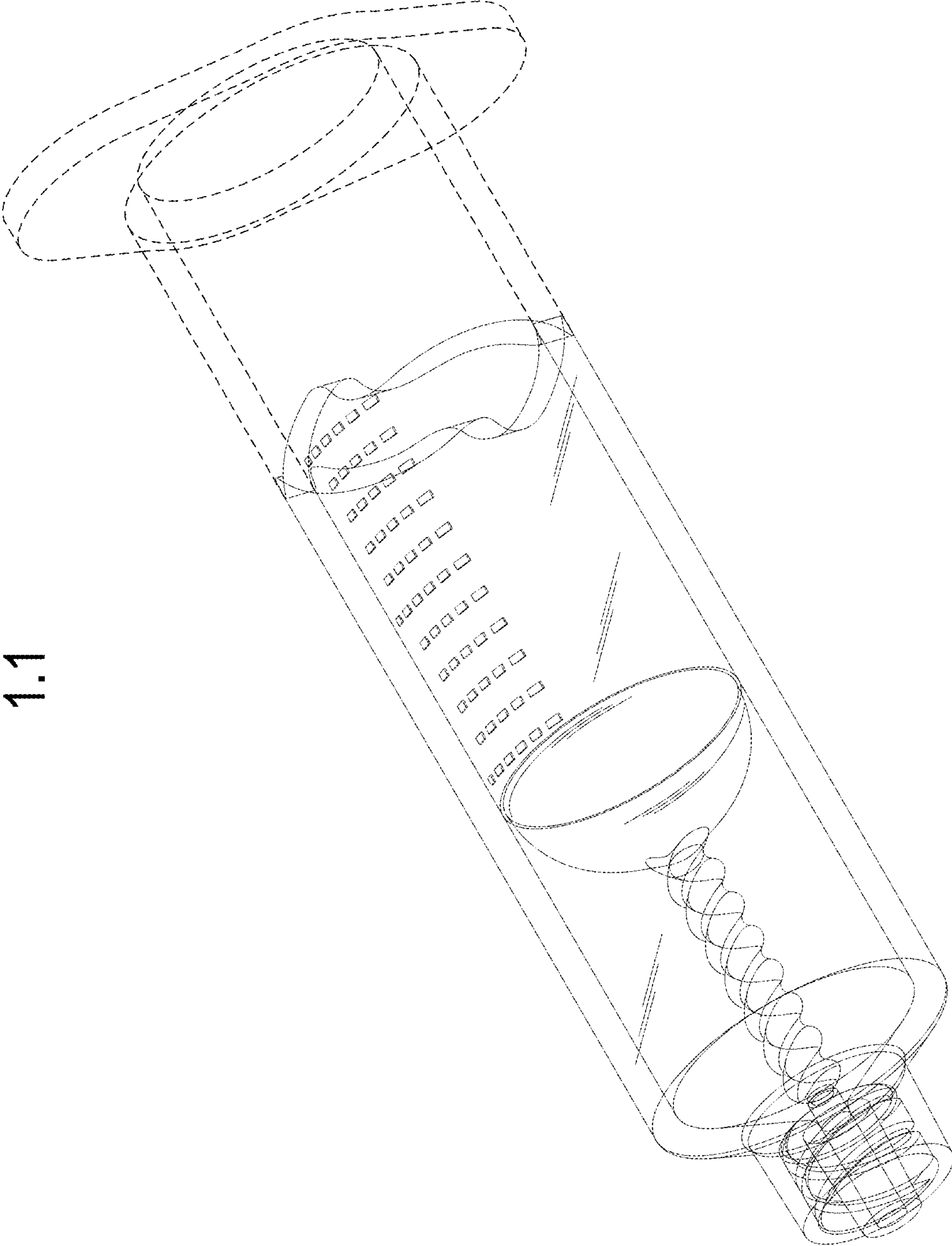
1 Claim, 7 Drawing Sheets

(56) **References Cited**

FOREIGN PATENT DOCUMENTS

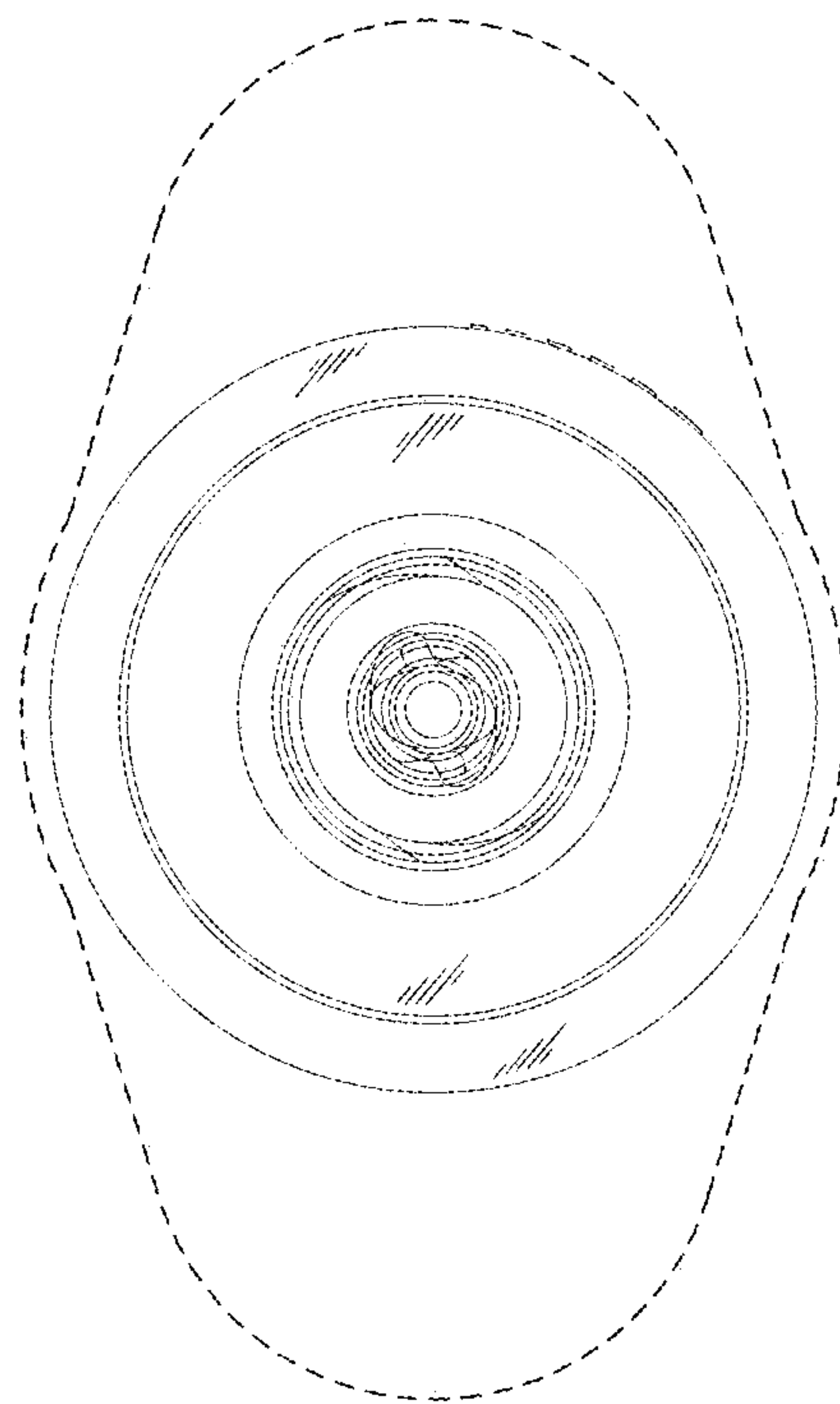
EP 2532833 A1 * 12/2012 F04C 2/084
EP 3613497 A1 * 2/2020 B01F 15/0247

* cited by examiner

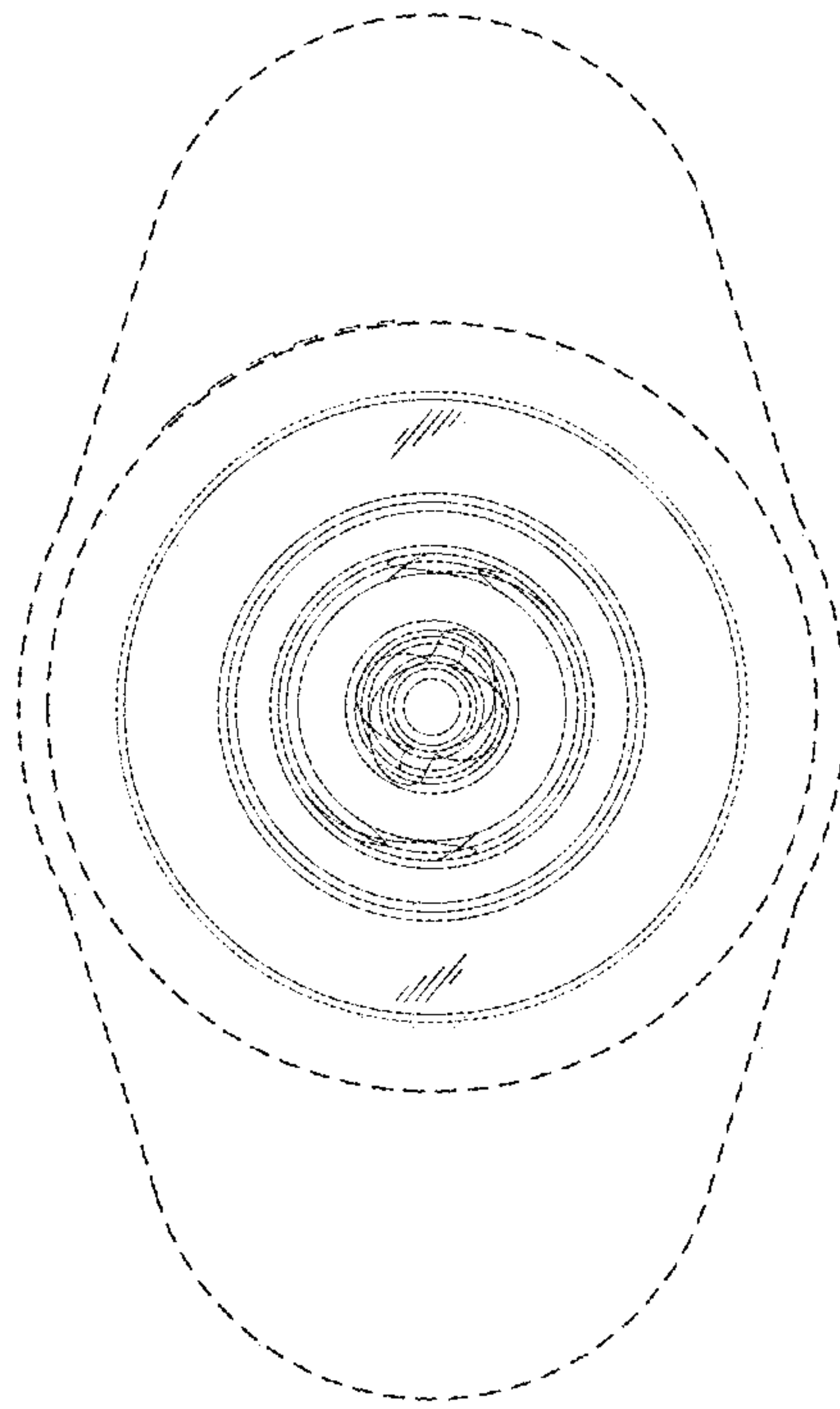


1.1

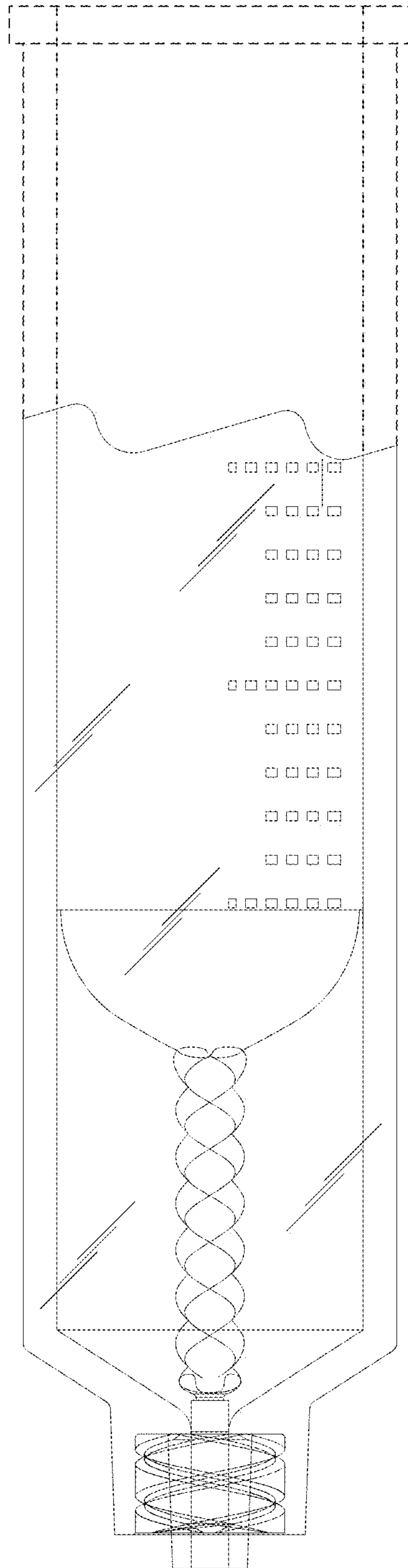
1.2



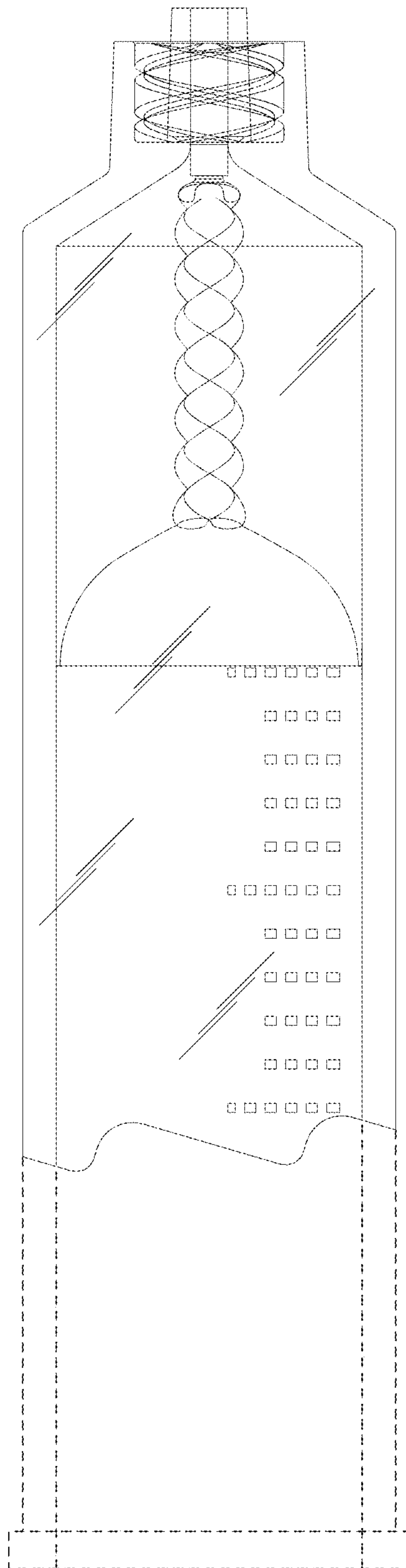
1.3



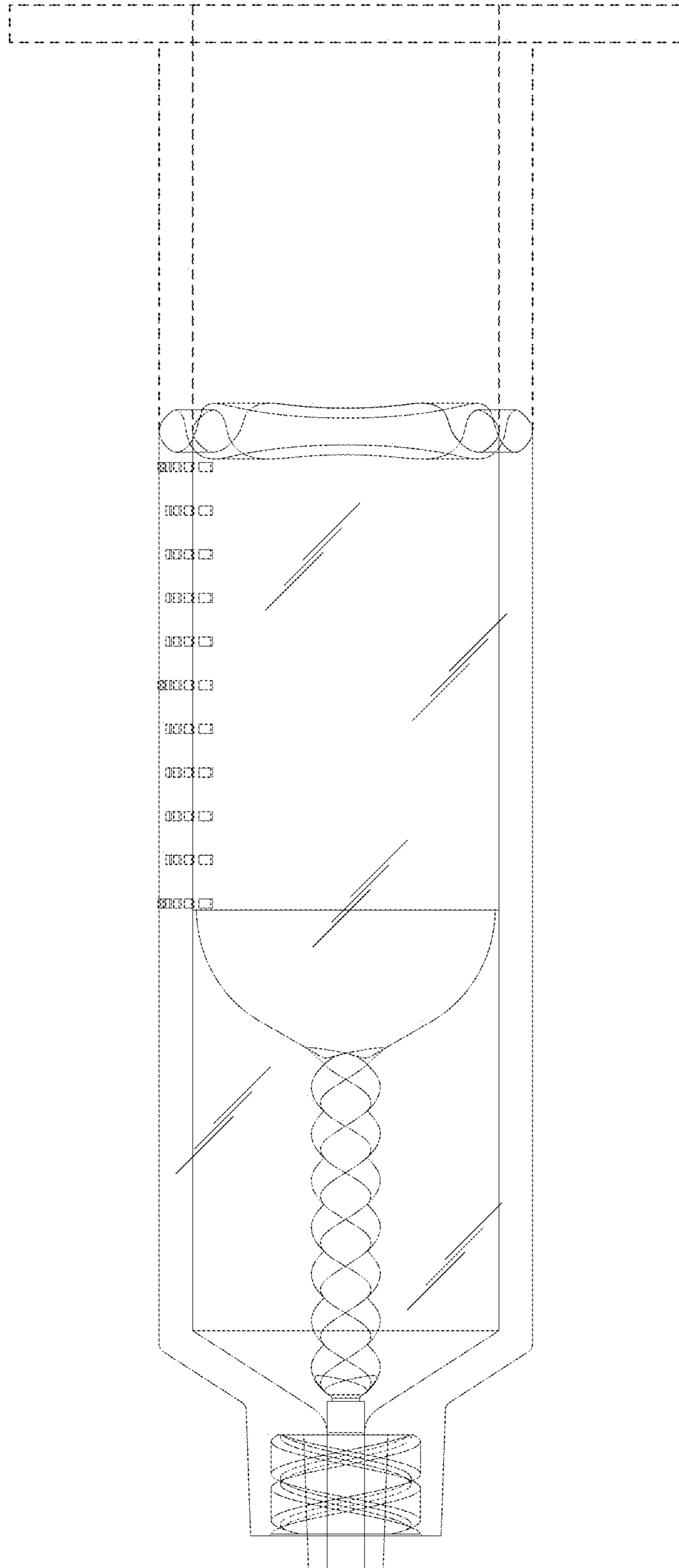
1.4



1.5



1.6



1.7

