



US00D971951S

(12) **United States Design Patent** (10) **Patent No.:** **US D971,951 S**
Brouns et al. (45) **Date of Patent:** **** Dec. 6, 2022**

(54) **DISPLAY SCREEN WITH ANIMATED GRAPHICAL USER INTERFACE**

FOREIGN PATENT DOCUMENTS

(71) Applicant: **ONWARD MEDICAL N.V.**,
Eindhoven (NL)

EP 3328481 2/2017
WO WO 2013/152124 A1 10/2013

(72) Inventors: **Robin Brouns**, Eindhoven (NL);
Miroslav Caban, Renens (CH)

OTHER PUBLICATIONS

(73) Assignee: **ONWARD MEDICAL N.V.**,
Eindhoven (NL)

“How To Round Corners In Illustrator” Sep. 6, 2017, posted at
youtube.com, [site visited Jul. 7, 2022]. <https://www.youtube.com/watch?v=q8Cyd0sqY6A> (Year: 2017).*

(Continued)

(**) Term: **15 Years**

Primary Examiner — John M Otte

(21) Appl. No.: **29/774,749**

(74) *Attorney, Agent, or Firm* — Finnegan, Henderson,
Farabow, Garrett & Dunner, LLP

(22) Filed: **Mar. 18, 2021**

(51) **LOC (13) Cl.** **14-04**

(52) **U.S. Cl.**

USPC **D14/486**

(58) **Field of Classification Search**

USPC D14/485–495; D20/11; D21/324, 325
CPC .. G06F 3/0481; G06F 3/04817; G06F 3/0482;
G06F 3/0483; G06F 3/04842; G06F
3/0485; G06F 3/04855; G06F 3/0486;
G06F 3/0488; G06F 3/04886; G06F
9/451; G06F 40/103; G06F 40/106; G06F
40/189; G06F 40/191; G16H 40/63;
G06V 10/752; G06T 11/60

See application file for complete search history.

(57) **CLAIM**

The ornamental design for a display screen with animated
graphical user interface, as shown and described.

DESCRIPTION

FIG. 1 is a front view of a first image of a display screen with
animated graphical user interface;
FIG. 2 is a front view of a second image thereof;
FIG. 3 is a front view of a third image thereof;
FIG. 4 is a front view of a fourth image thereof; and,
FIG. 5 is a front view of a fifth image thereof.

The appearance of the image sequentially transitions
between the images shown in FIGS. 1-5. The process or
period in which one image transitions to another image
forms no part of the claimed design.

The broken lines of uneven length show a screen for
displaying the animated graphical user interface and form no
part of the claimed design. The broken lines of even length
shown in the drawing illustrate portions of the animated
graphical user interface that form no part of the claimed
design.

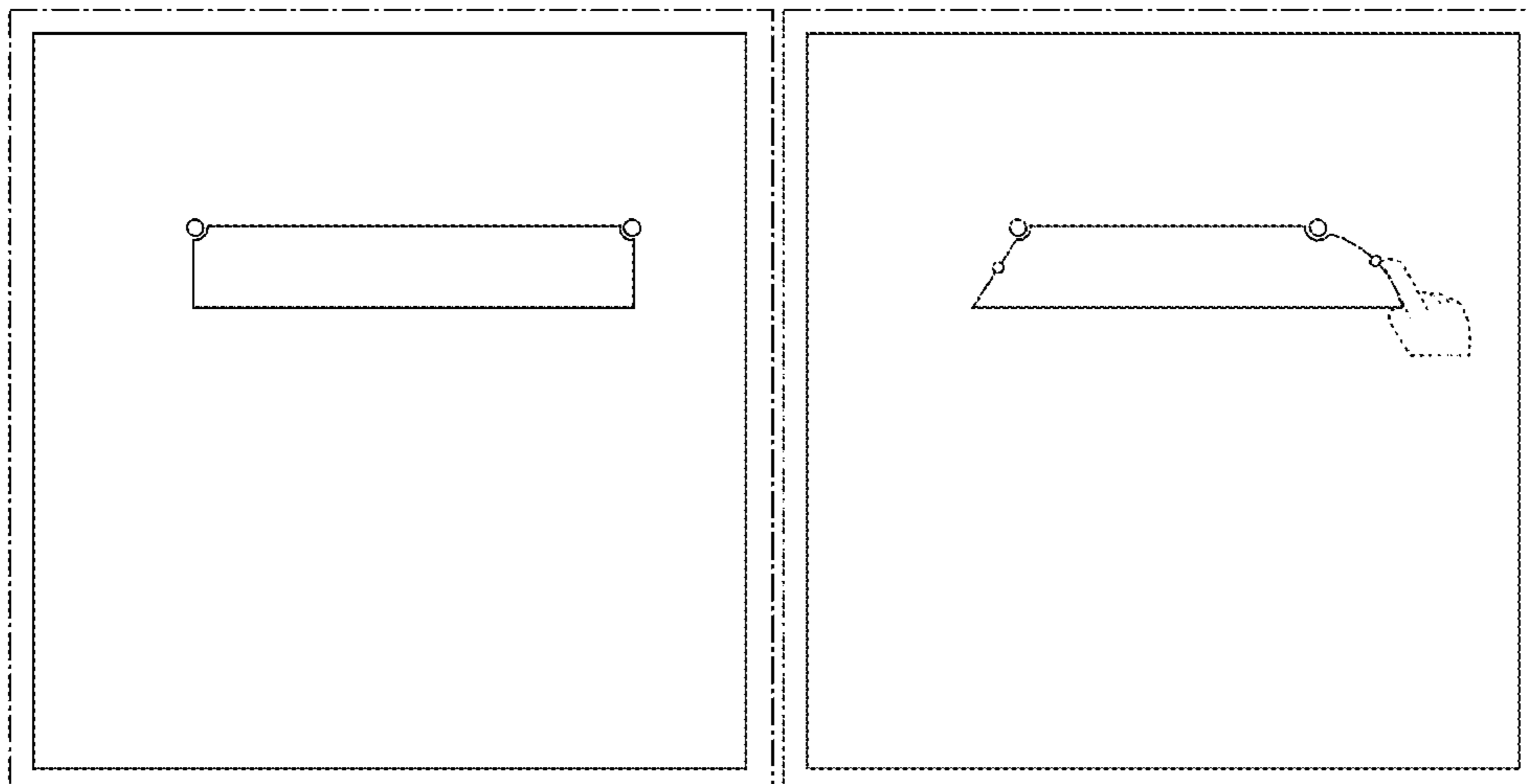
(56) **References Cited**

U.S. PATENT DOCUMENTS

D594,024 S * 6/2009 King D14/488
8,238,666 B2 * 8/2012 Besley G06V 10/752
382/218
D677,674 S * 3/2013 Rampson D14/485
D684,996 S * 6/2013 Wenz D14/495
D691,172 S * 10/2013 Wujcik D14/487
D705,241 S * 5/2014 Chen D14/485
D707,235 S * 6/2014 Arnold D14/491
8,766,928 B2 * 7/2014 Weeldreyer G06F 3/0481
715/810

(Continued)

1 Claim, 5 Drawing Sheets



(56)

References Cited

U.S. PATENT DOCUMENTS

D721,722 S * 1/2015 Lee D14/486
D763,273 S * 8/2016 Hwang D14/485
D770,470 S * 11/2016 Jin D14/485
9,802,052 B2 10/2017 Marnfeldt
9,895,545 B2 2/2018 Rao et al.
10,449,371 B2 10/2019 Serrano Carmona
10,806,935 B2 10/2020 Rao et al.
2002/0138512 A1* 9/2002 Buresh G16H 40/63
715/275
2010/0010646 A1 1/2010 Drew et al.
2013/0211477 A1 8/2013 Cullen et al.
2014/0172045 A1 6/2014 Yip et al.
2015/0268845 A1* 9/2015 Endo G06T 11/60
715/771
2016/0279429 A1 9/2016 Hershey et al.
2019/0381328 A1 12/2019 Wechter et al.

OTHER PUBLICATIONS

Extended European Search Report from European Application No.
20163794.9, dated Aug. 31, 2020 (6 pages).

* cited by examiner

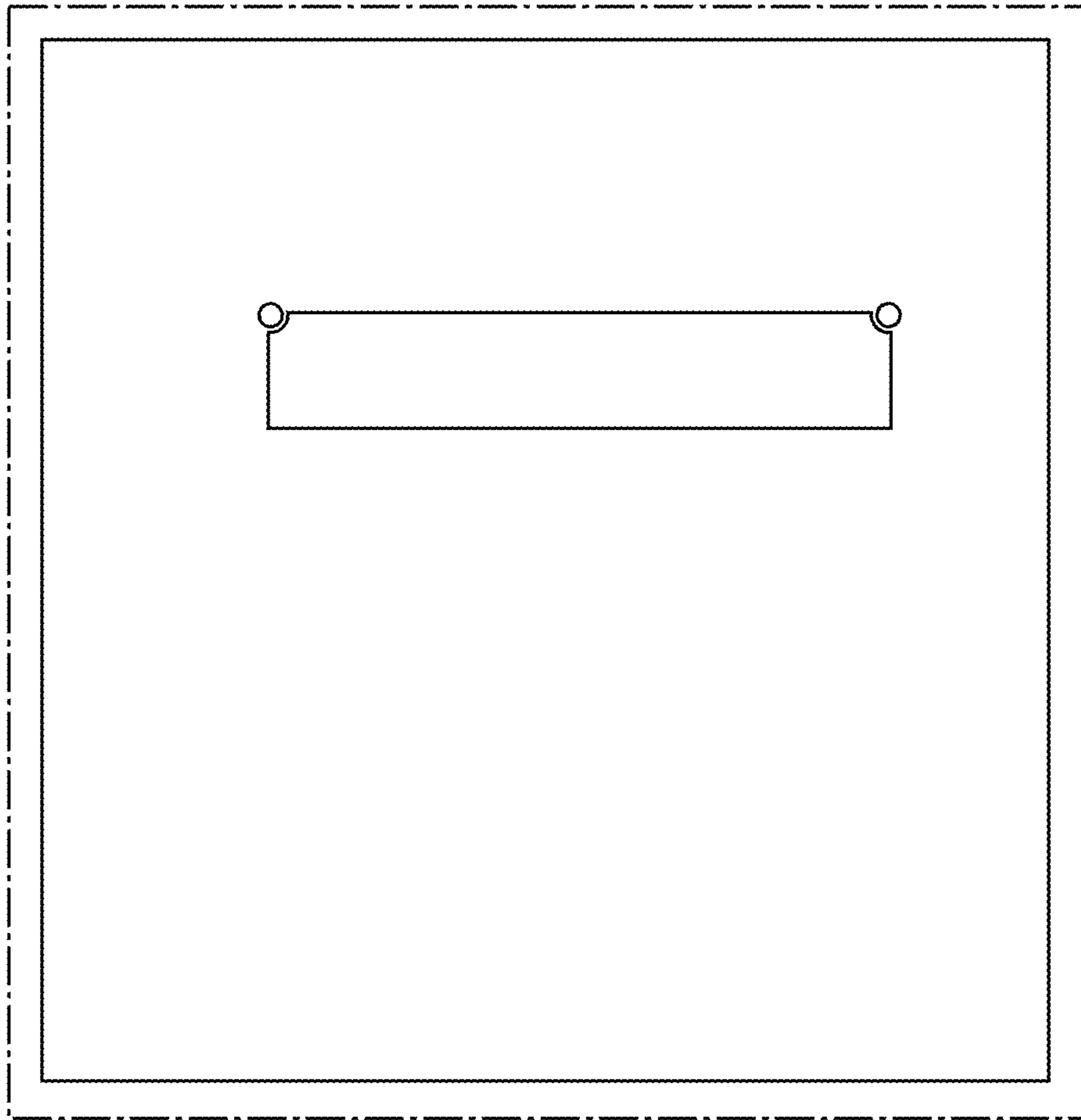


FIG. 1

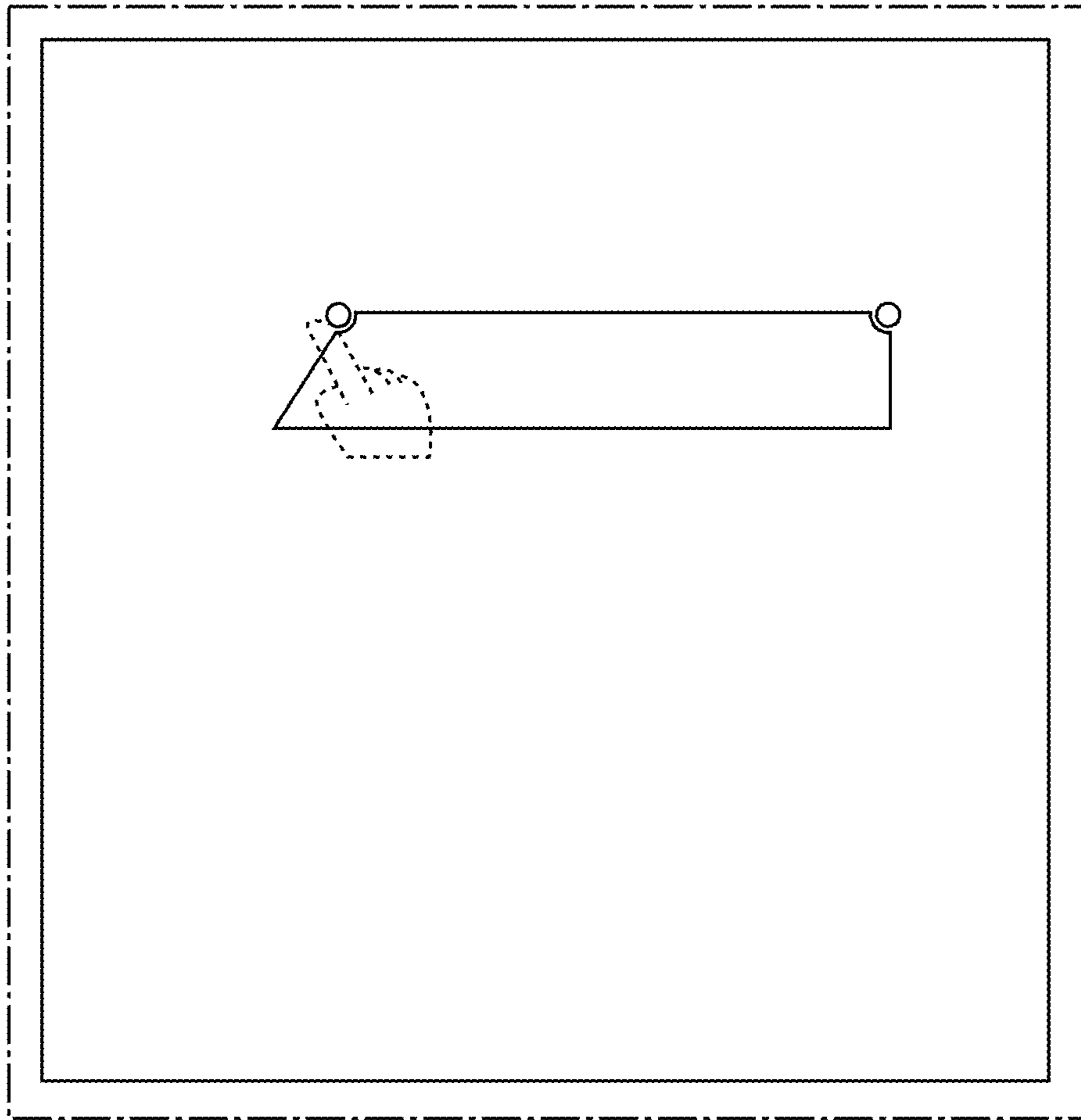


FIG. 2

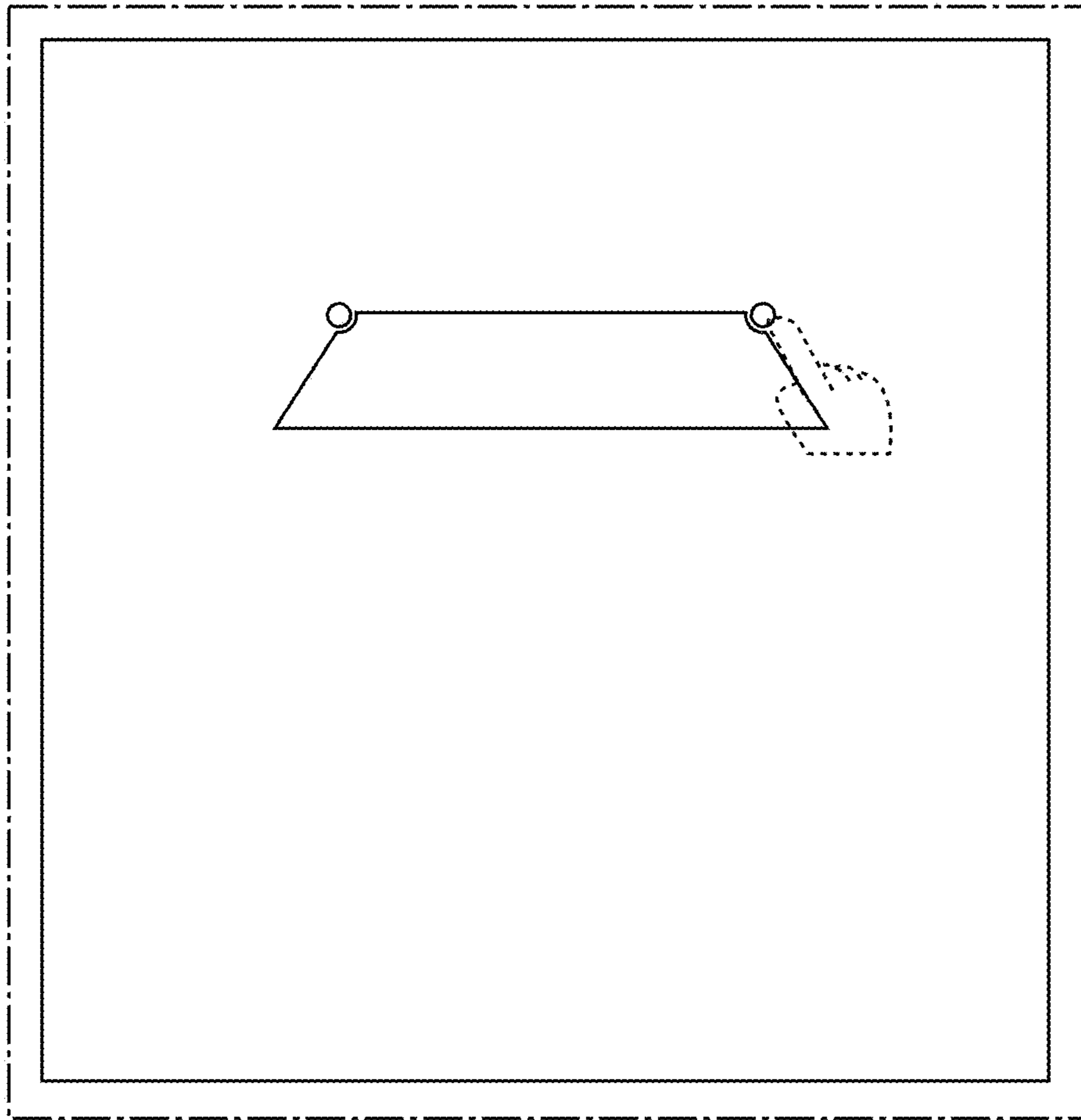


FIG. 3

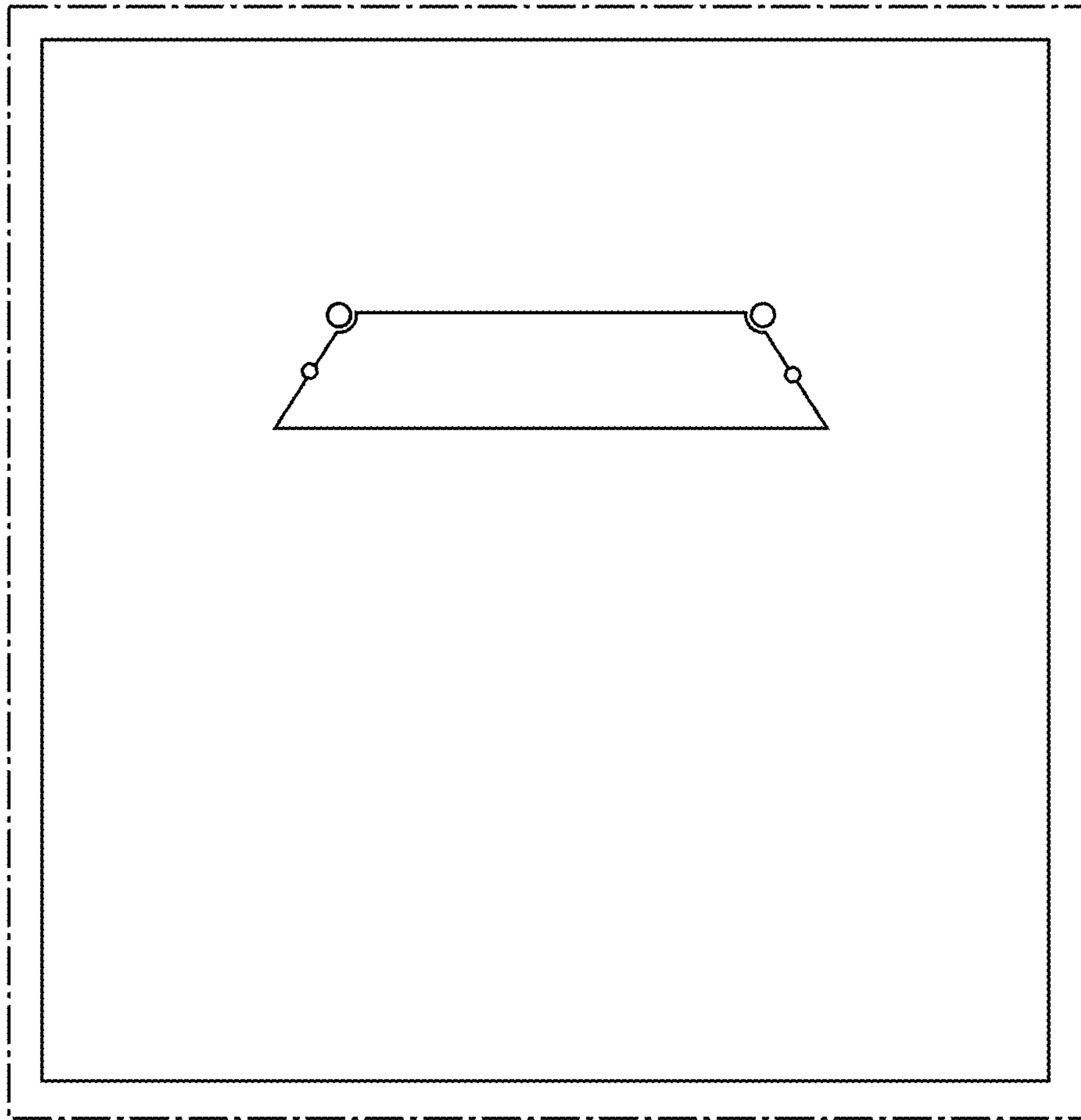


FIG. 4

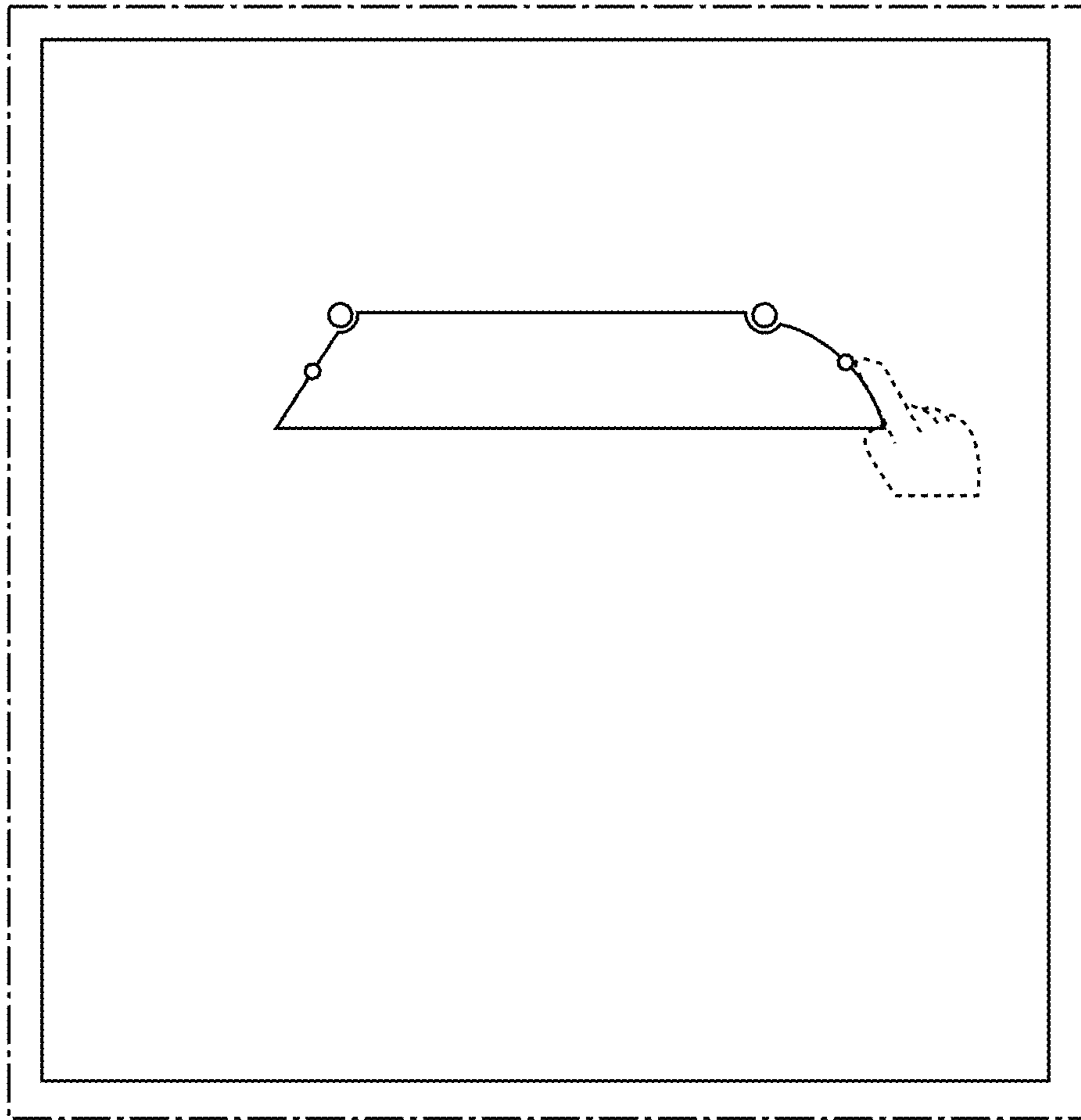


FIG. 5