



US00D971928S

(12) **United States Design Patent**
Zhang

(10) **Patent No.:** **US D971,928 S**
(45) **Date of Patent:** **** Dec. 6, 2022**

(54) **SET OF STANDS FOR ELECTRONIC GAME MACHINE**

(71) Applicant: **NEXIGHT INC**, Beaverton, OR (US)

(72) Inventor: **Shunqing Zhang**, Portland, OR (US)

(**) Term: **15 Years**

(21) Appl. No.: **29/799,697**

(22) Filed: **Jul. 15, 2021**

(51) **LOC (13) Cl.** **14-03**

(52) **U.S. Cl.**
USPC **D14/447**

(58) **Field of Classification Search**

USPC D14/447, 432, 434, 439, 440, 451, 452,
D14/457, 239, 253, 250; D8/363, 373,
D8/380; D6/406.3, 406.4, 406.5, 406.6;
D12/415; D19/91; D3/218; D21/333
CPC A47B 21/04; A47B 2097/006; A47B
2097/005; A47B 2023/049; A45C
2011/002; A45C 2011/003; F16M
2200/00; F16M 13/00; A45F 2200/0516;
A45F 2200/0525

See application file for complete search history.

(56) **References Cited**

U.S. PATENT DOCUMENTS

D349,107 S * 7/1994 Rude D14/457
D543,246 S * 5/2007 Ashida D21/333
D552,185 S * 10/2007 Hussaini D21/333
D574,383 S 8/2008 Maruyama et al.

(Continued)

Primary Examiner — Angela J Lee

(57) **CLAIM**

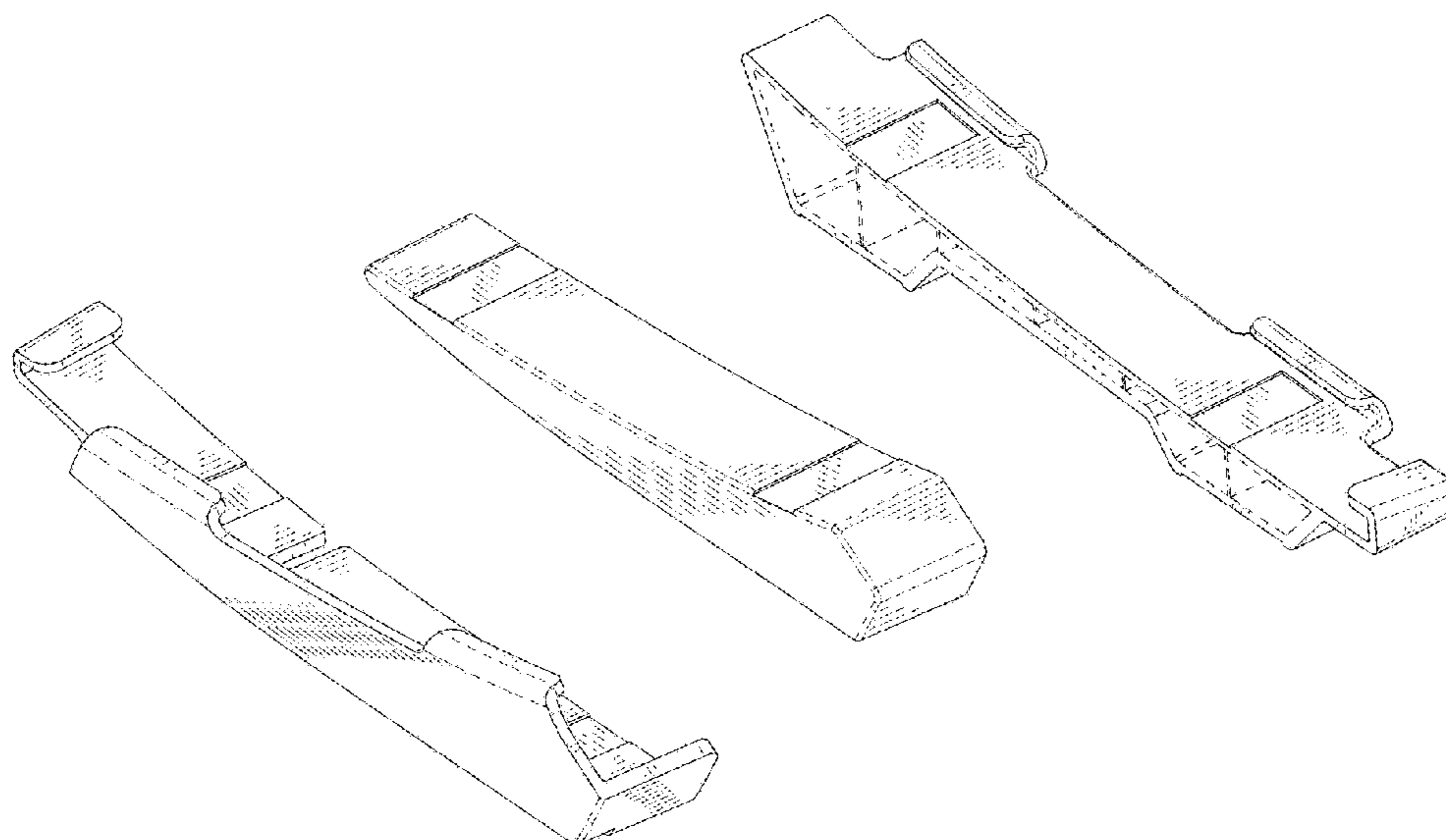
The ornamental design for a set of stands for electronic game machine, as shown and described.

DESCRIPTION

FIG. 1 is a perspective view of a set of stands for electronic game machine;

FIG. 2 is a perspective view of a first piece of the set of stands for electronic game machine;
FIG. 3 is a front elevation view thereof;
FIG. 4 is a rear elevation view thereof;
FIG. 5 is a left side elevation view thereof;
FIG. 6 is a right side elevation view thereof;
FIG. 7 is a top plan view thereof;
FIG. 8 is a bottom plan view thereof;
FIG. 9 is a perspective view of a second piece of the set of stands for electronic game machine;
FIG. 10 is a front elevation view thereof;
FIG. 11 is a rear elevation view thereof;
FIG. 12 is a left side elevation view thereof;
FIG. 13 is a right side elevation view thereof;
FIG. 14 is a top plan view thereof;
FIG. 15 is a bottom plan view thereof;
FIG. 16 is a perspective view of a third piece of the set of stands for electronic game machine;
FIG. 17 is a front elevation view thereof;
FIG. 18 is a rear elevation view thereof;
FIG. 19 is a left side elevation view thereof;
FIG. 20 is a right side elevation view thereof;
FIG. 21 is a top plan view thereof;
FIG. 22 is a bottom plan view thereof;
FIG. 23 is another perspective view showing the first piece, the second piece and the third piece in an alternative position that the first piece is combined with the second piece.
FIG. 24 is a perspective view of the set of stands for electronic game machine in use state; and,
FIG. 25 is a perspective view of the set of stands for electronic game machine in use state.
The broken lines in the figures illustrate portions of the set of stands for electronic game machine that form no part of the claimed design, and the broken lines showing the electronic game machine in the FIG. 24 and FIG. 25 are for the purposes of illustrating environment and form no part of the claimed design.

1 Claim, 25 Drawing Sheets



(56)

References Cited

U.S. PATENT DOCUMENTS

D584,733 S *	1/2009	Dearborn	D14/439
D630,222 S *	1/2011	Lin	D14/447
D721,711 S *	1/2015	Chen	D14/447
D730,350 S *	5/2015	Lee	D14/240
D743,408 S *	11/2015	Chen	D14/447
D808,466 S *	1/2018	Foster	D14/401
D829,724 S *	10/2018	Chun	D14/447
D847,821 S *	5/2019	Gowda	D14/447
D920,985 S *	6/2021	Kuo	D14/447
D935,463 S *	11/2021	Wang	D14/434

* cited by examiner

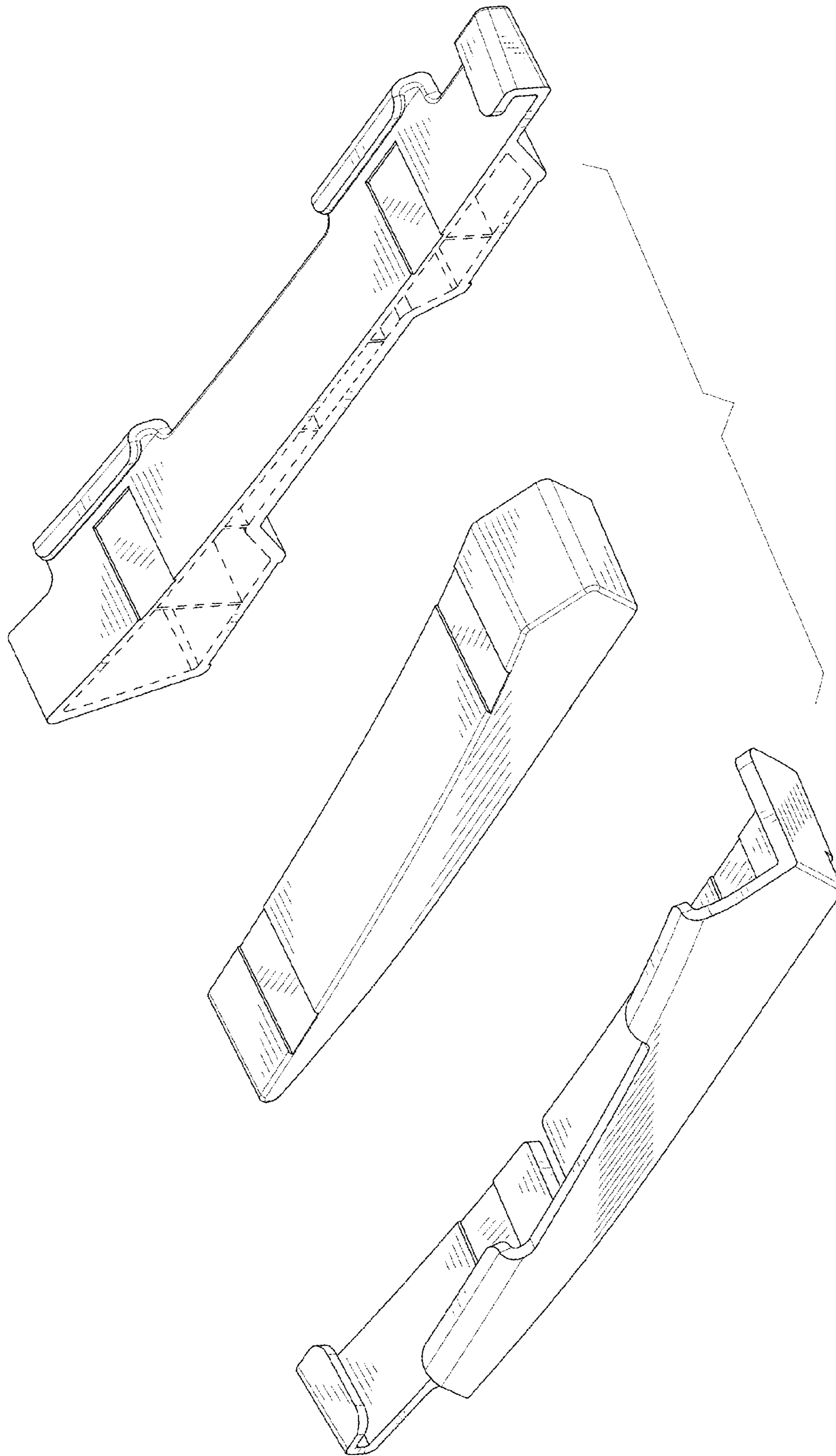


FIG. 1

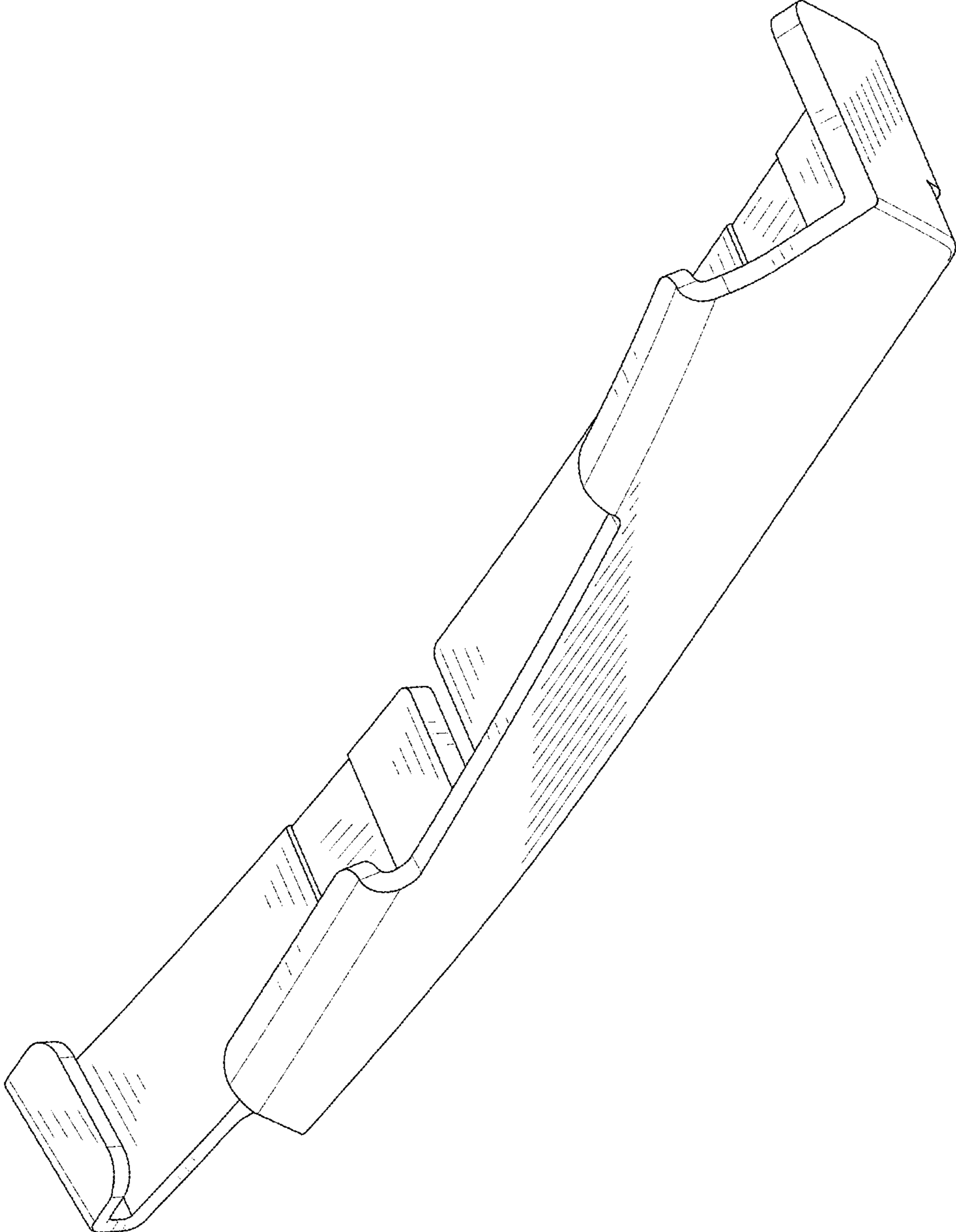


FIG. 2

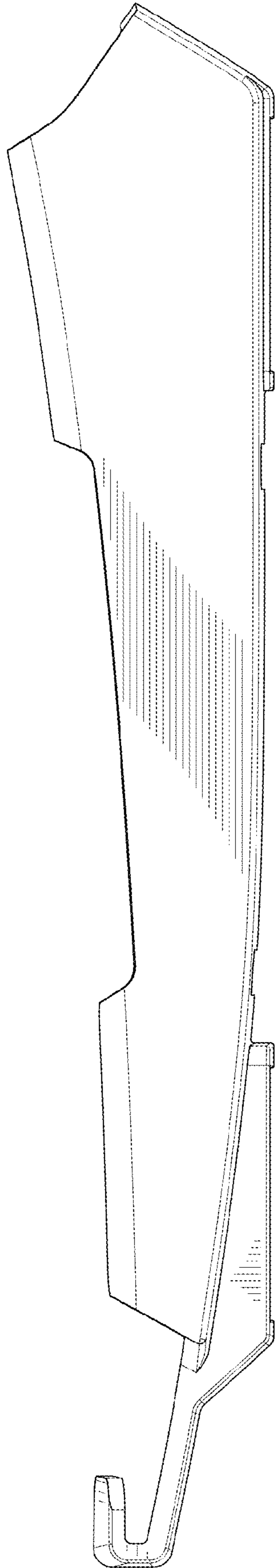


FIG. 3

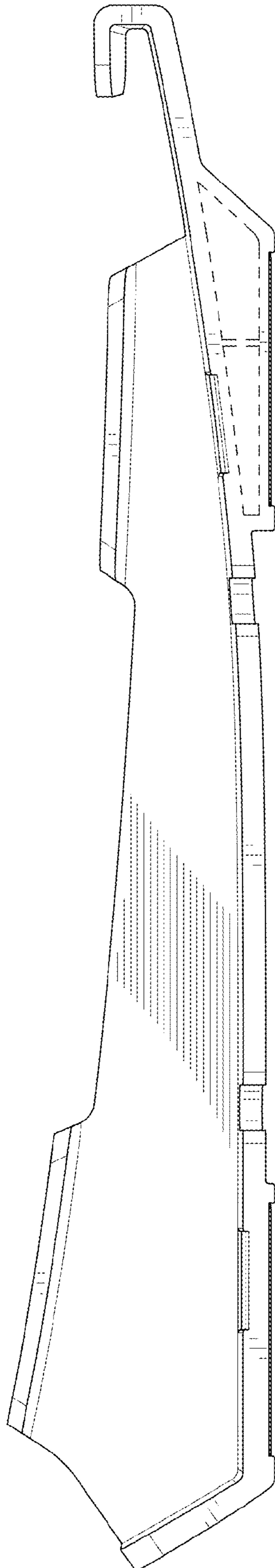


FIG. 4

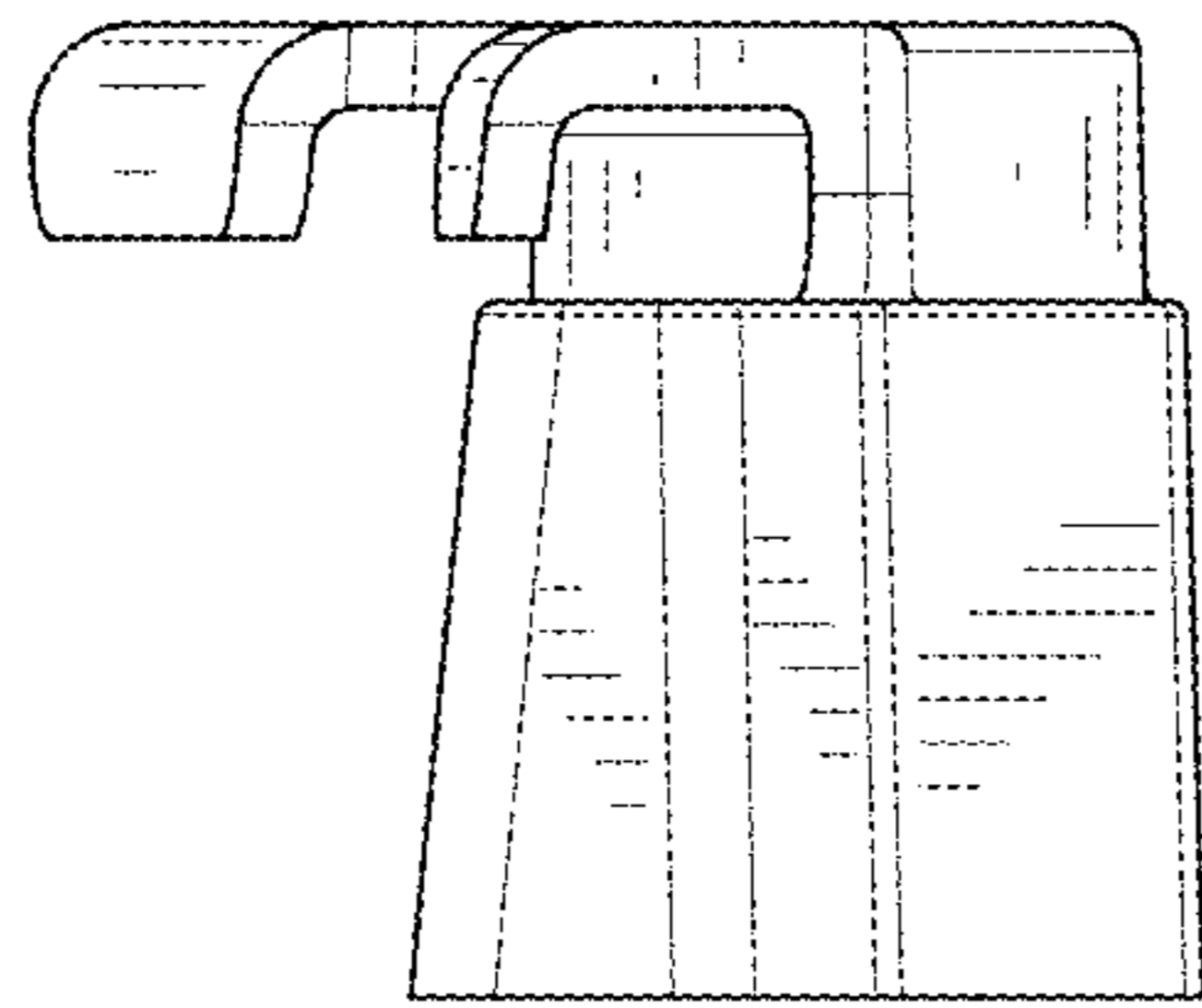


FIG. 5

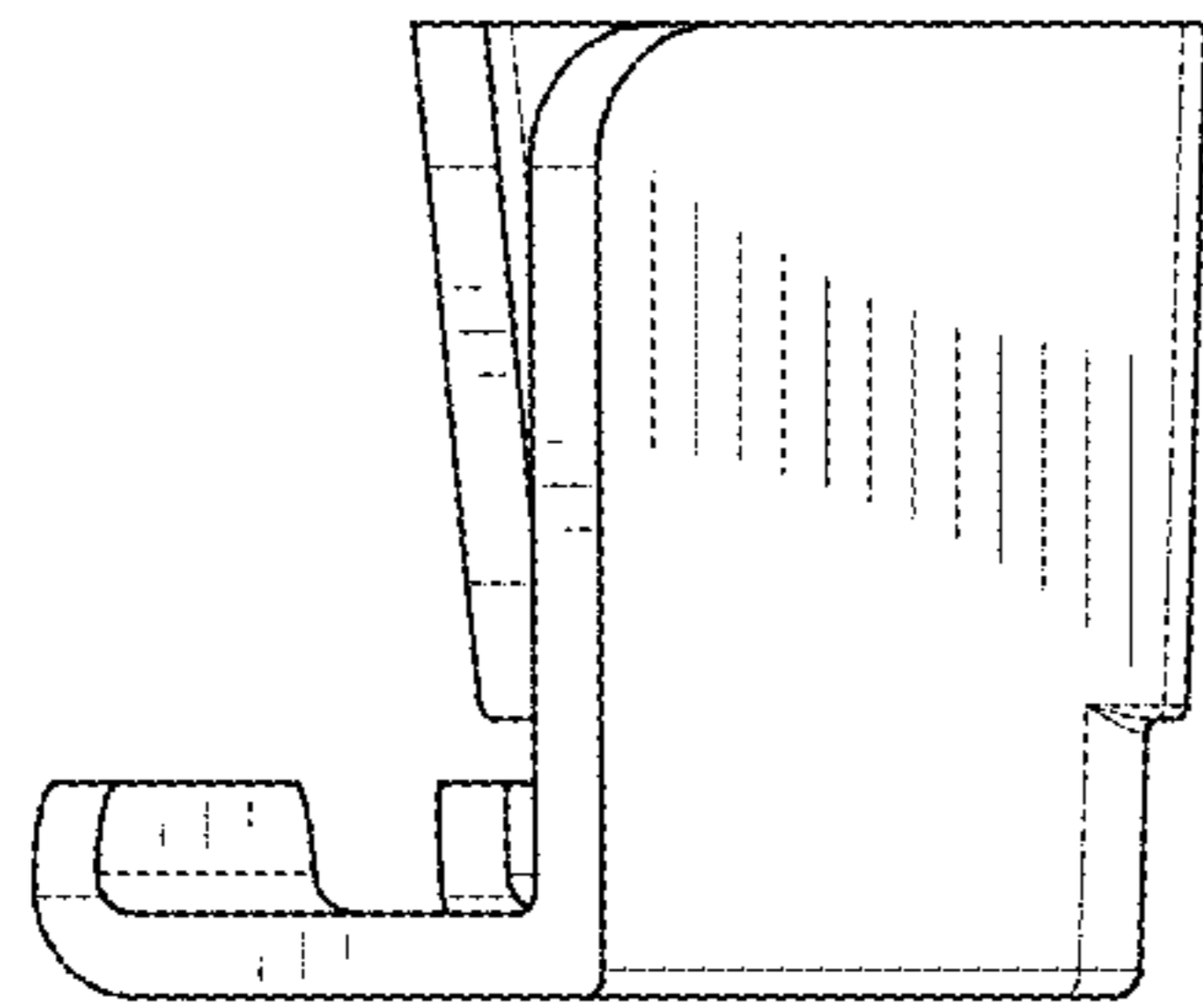


FIG. 6

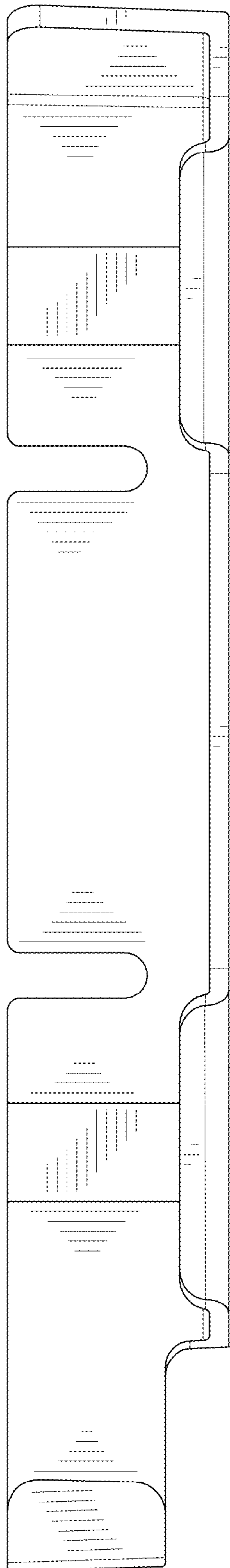


FIG. 7

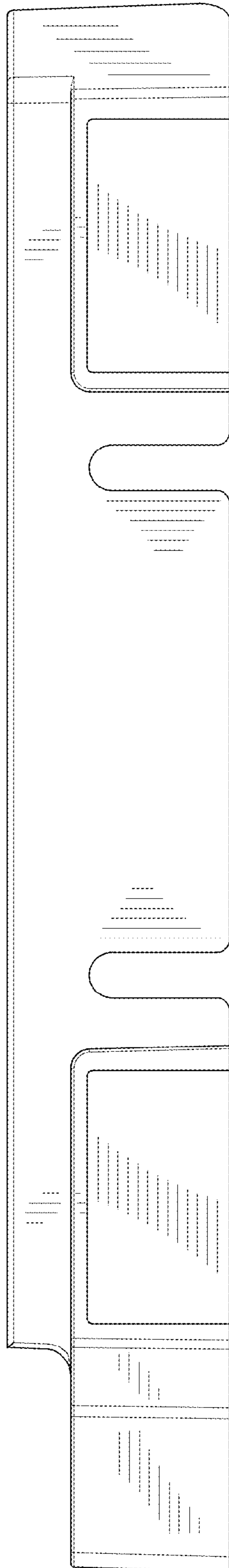


FIG. 8

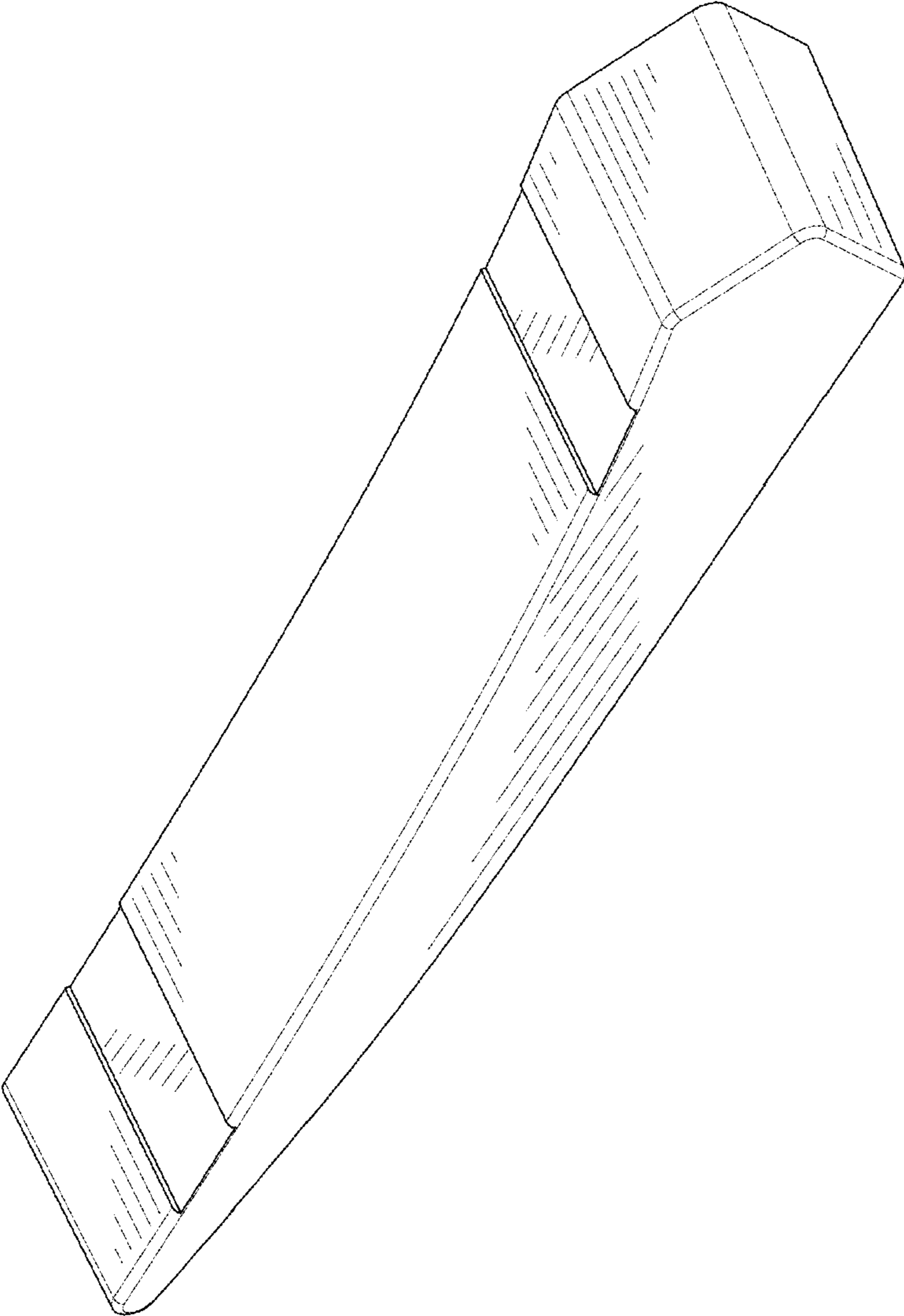


FIG. 9

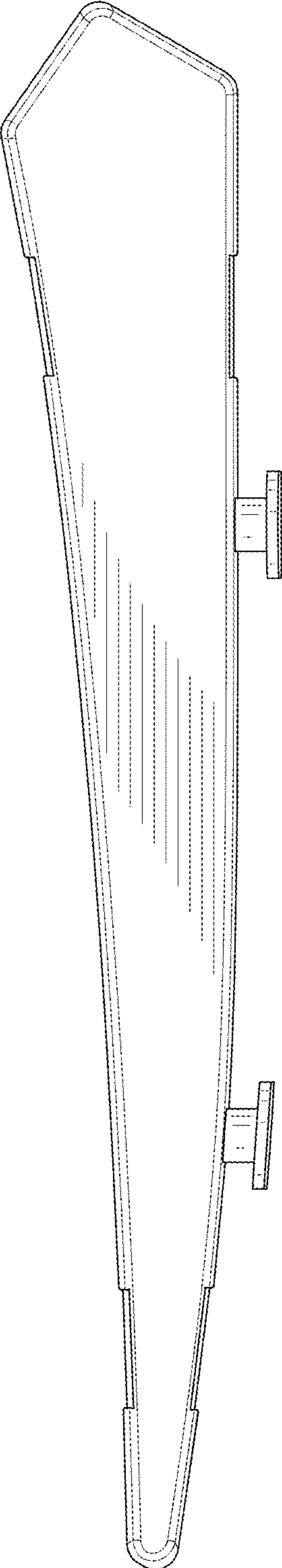


FIG. 10

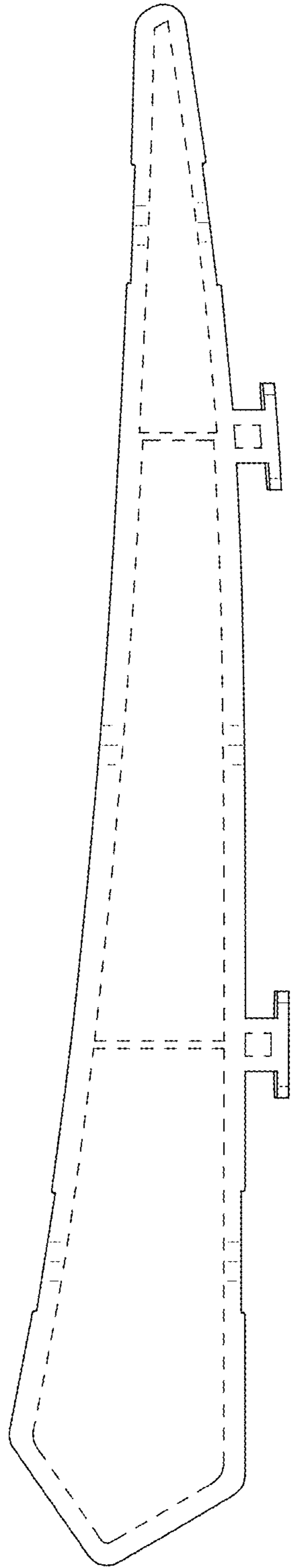


FIG. 11

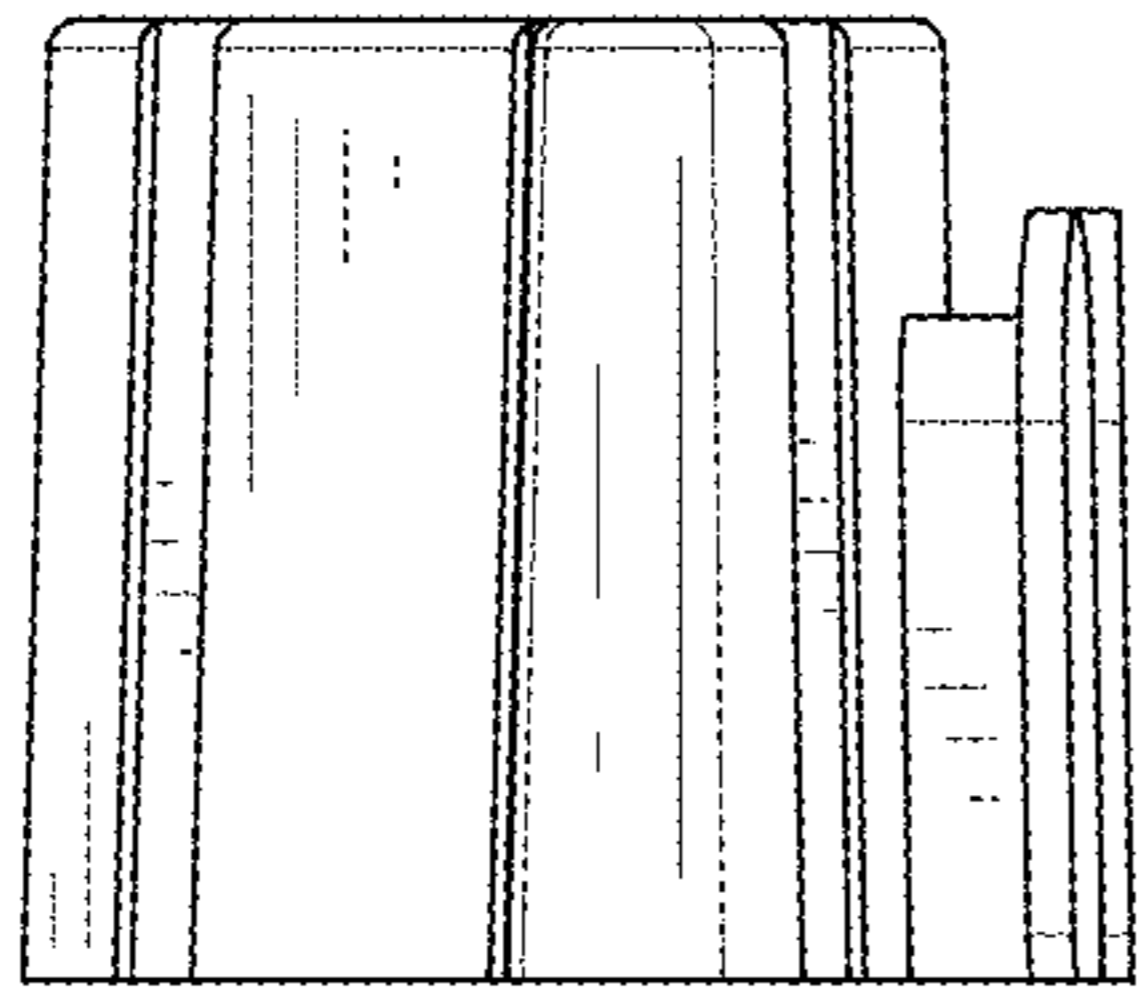


FIG. 12

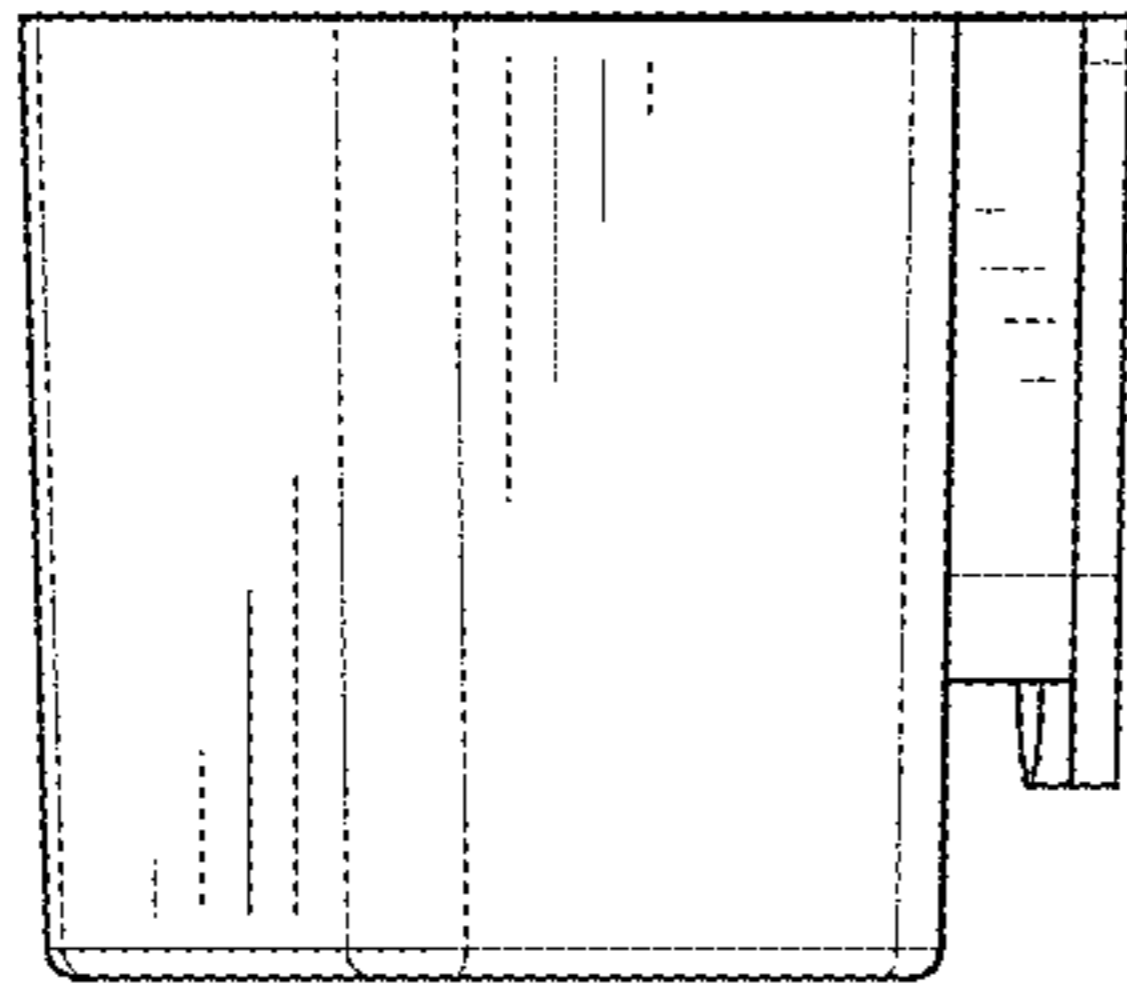


FIG. 13

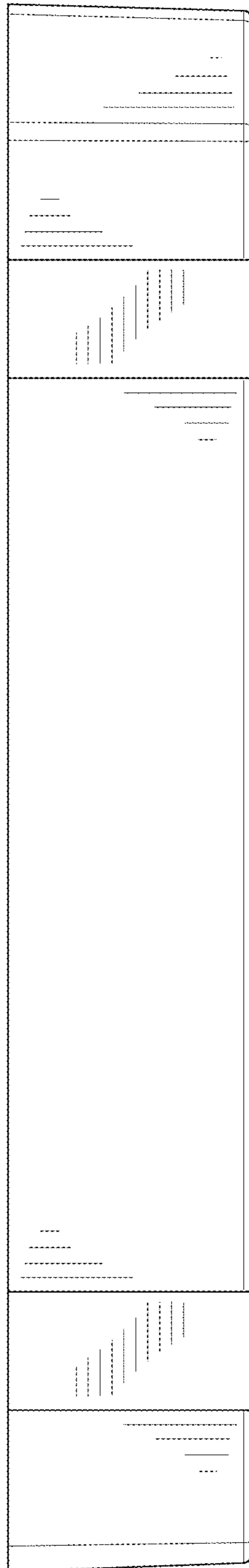


FIG. 14

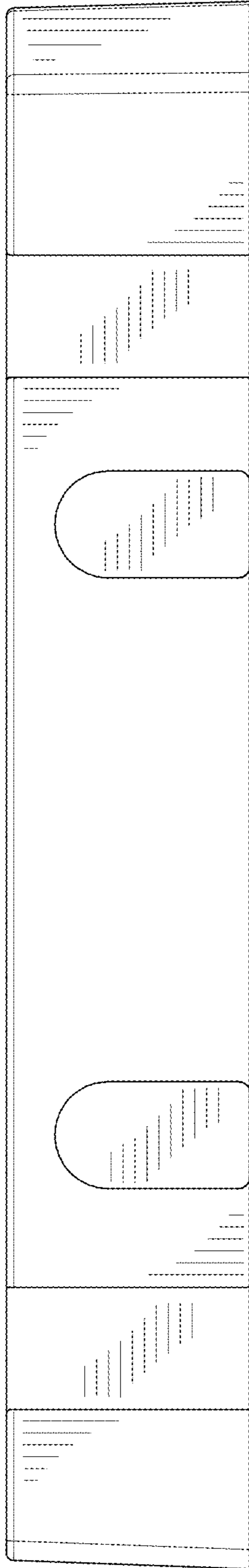


FIG. 15

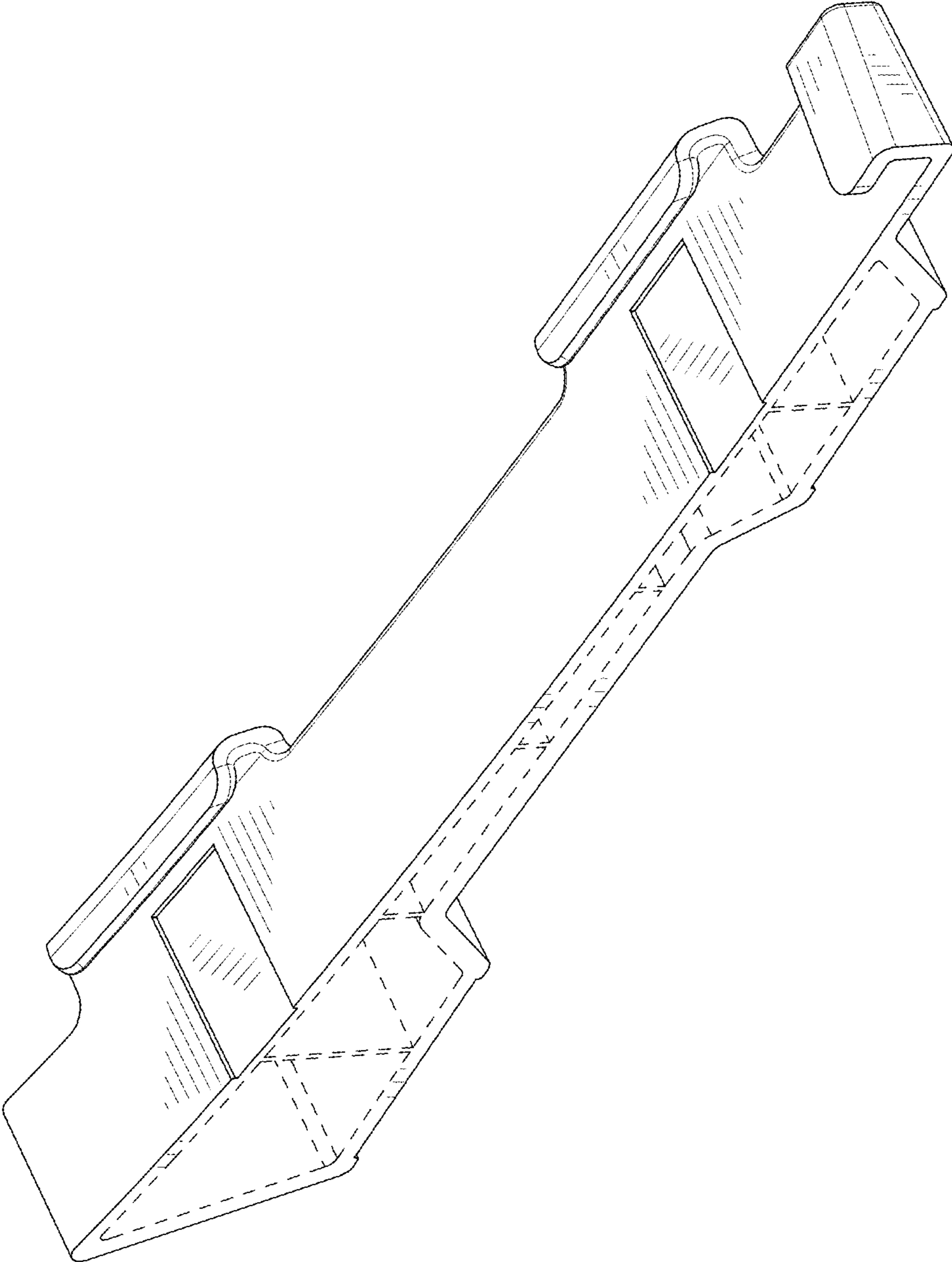


FIG. 16

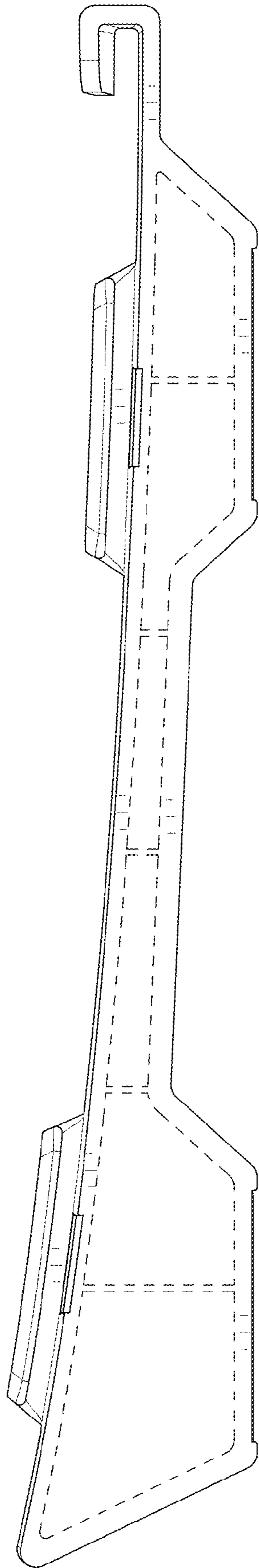


FIG. 17

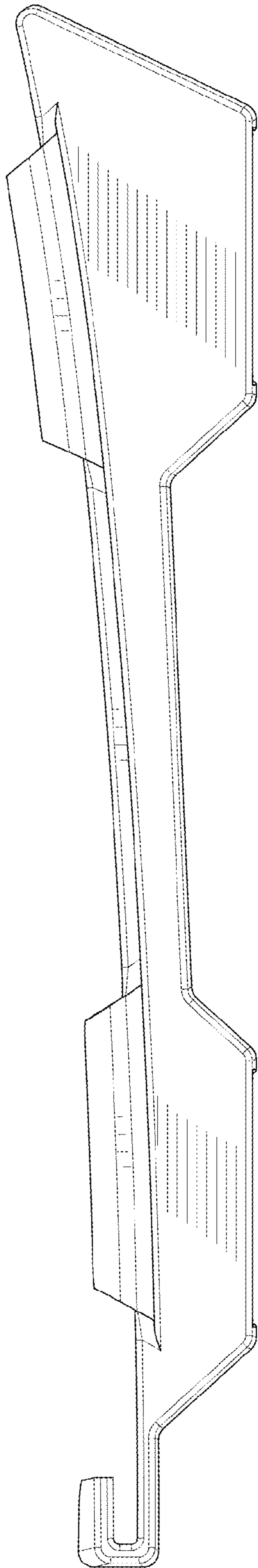


FIG. 18

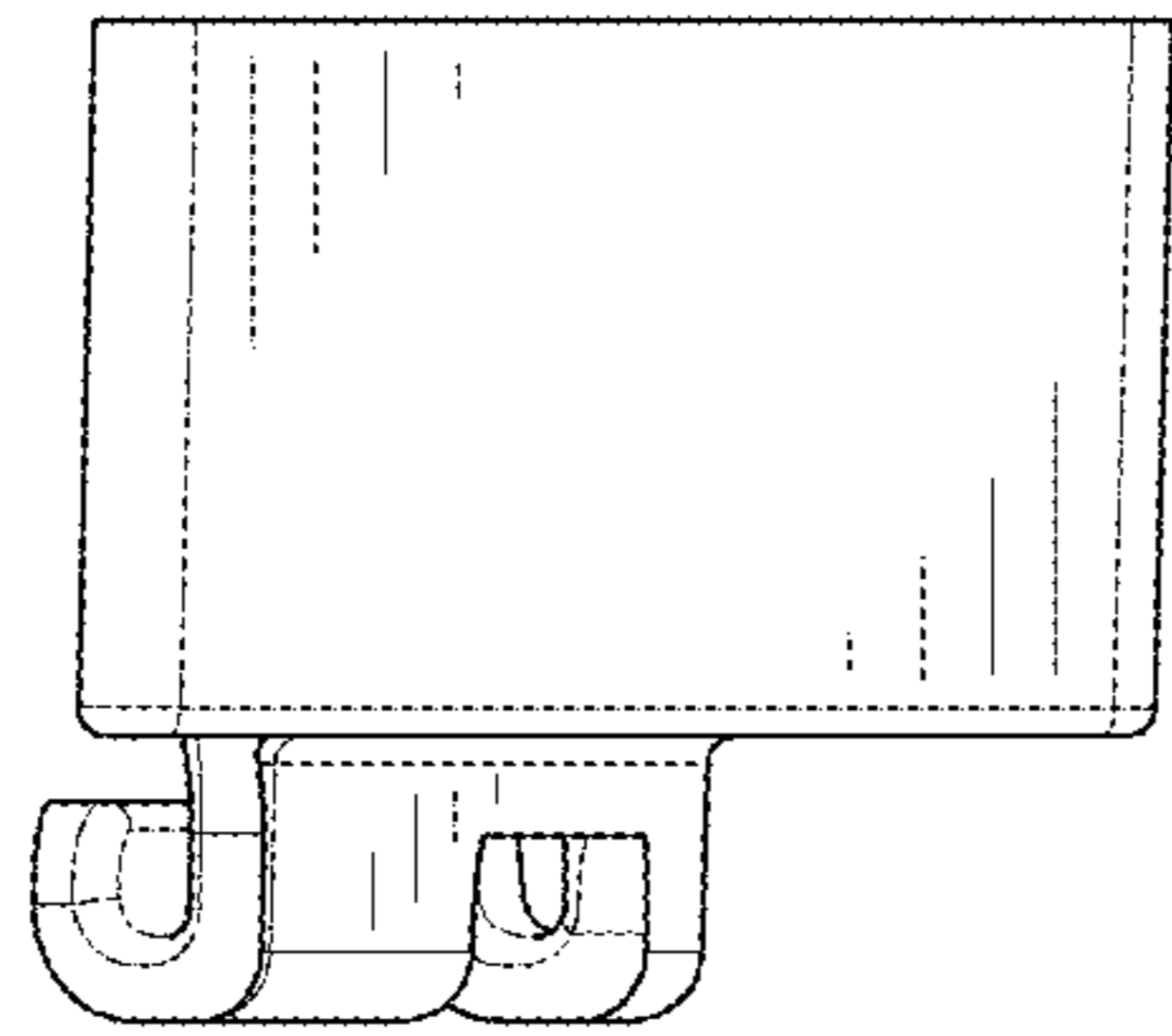


FIG. 19

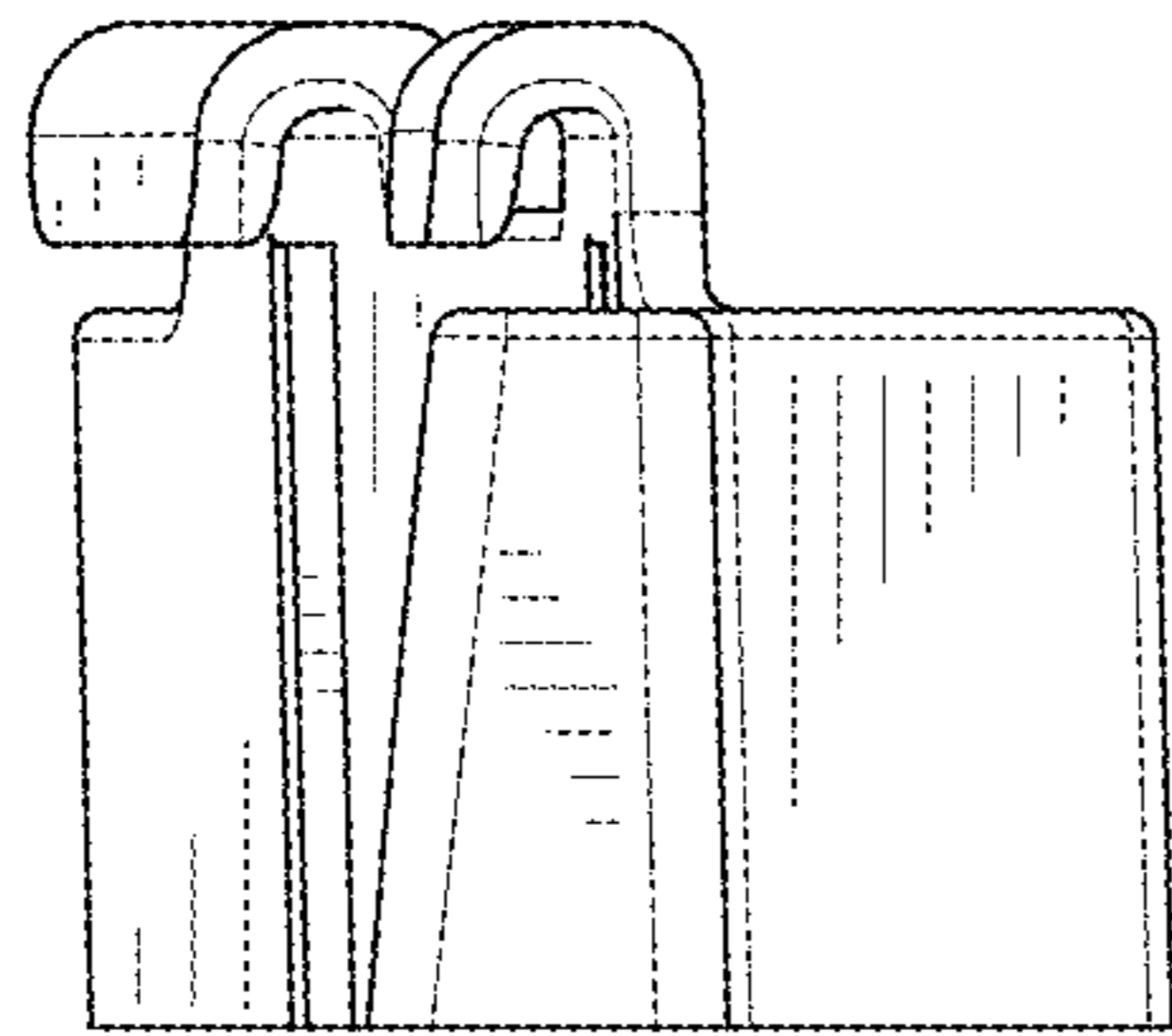


FIG. 20

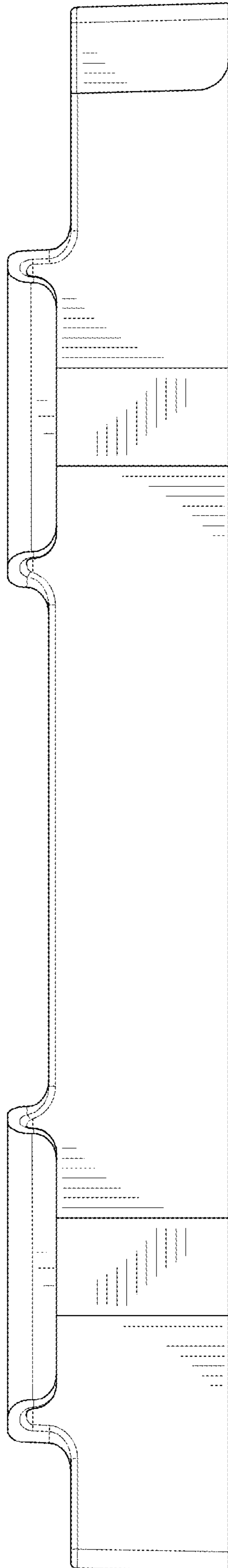


FIG. 21

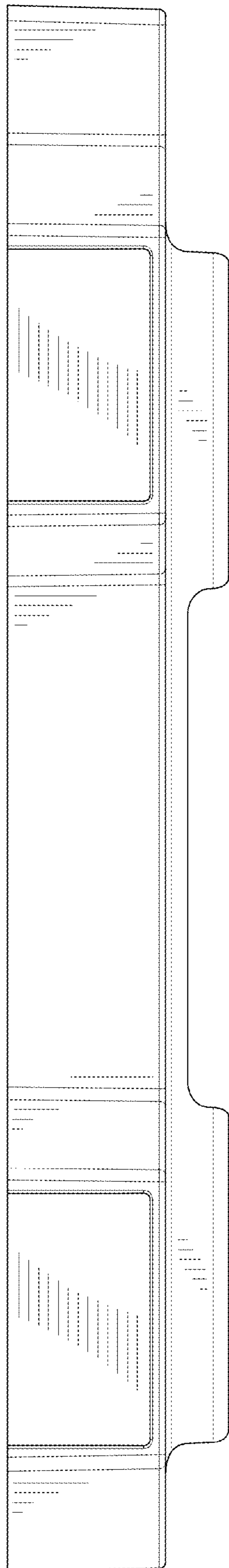


FIG. 22

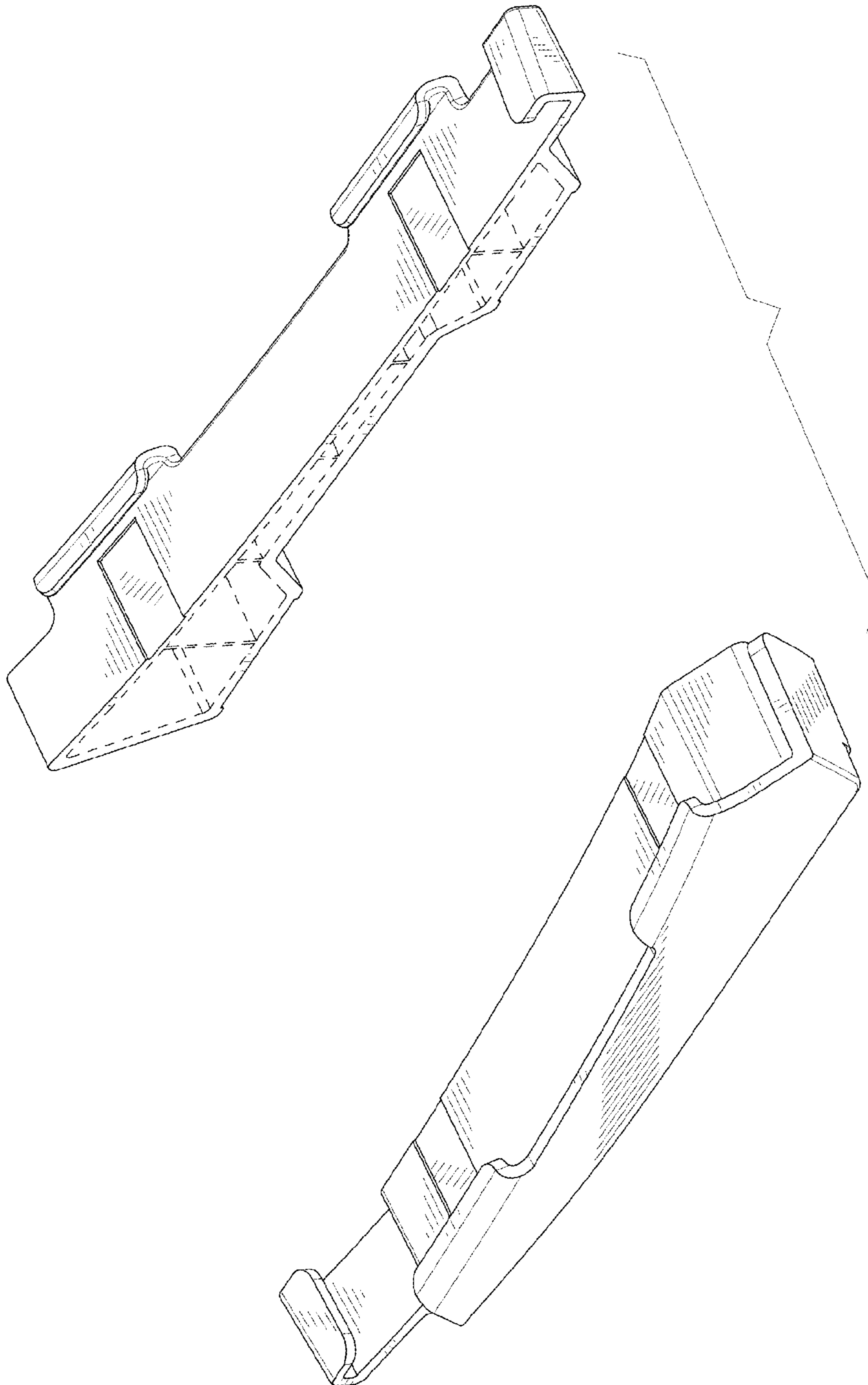


FIG. 23

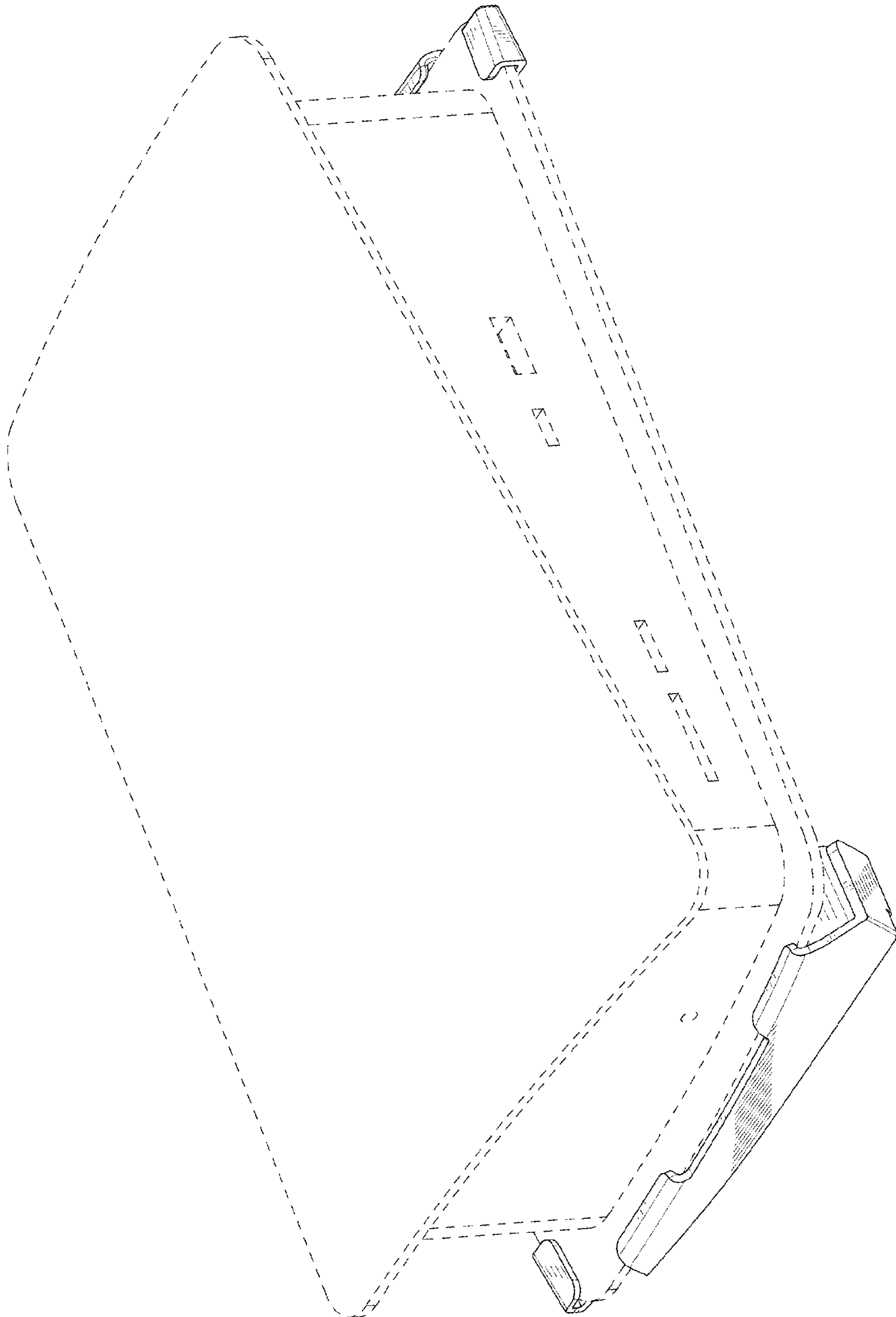


FIG. 24

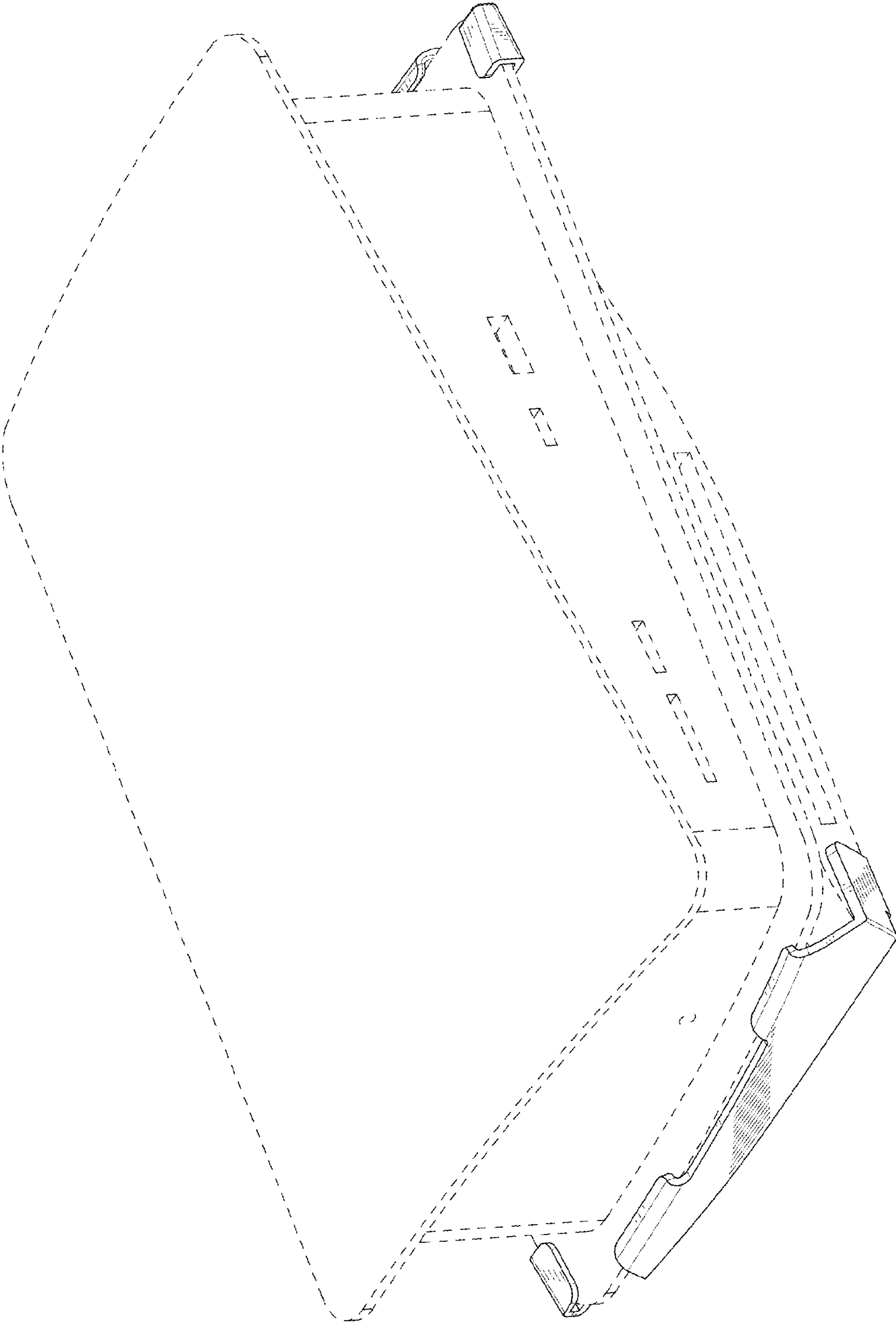


FIG. 25