



US00D971927S

(12) **United States Design Patent** (10) **Patent No.:** **US D971,927 S**  
**Lin** (45) **Date of Patent:** **\*\* Dec. 6, 2022**

(54) **NOTEBOOK STAND**

(71) Applicant: **Zena Lin**, Shenzhen (CN)

(72) Inventor: **Zena Lin**, Shenzhen (CN)

(\*\*) Term: **15 Years**

(21) Appl. No.: **29/796,277**

(22) Filed: **Jun. 23, 2021**

(30) **Foreign Application Priority Data**

May 13, 2021 (CN) ..... 202130284411.9

(51) **LOC (13) Cl.** ..... **14-02**

(52) **U.S. Cl.**

USPC ..... **D14/447**

(58) **Field of Classification Search**

USPC ..... D14/251, 252, 432, 434, 440, 447, 451,  
D14/452, 457; D6/406.3, 406.4, 406.5,  
D6/406.6, 655, 656; D19/91, 113

CPC ..... A47B 2023/049; A47B 2097/006; A47B  
23/04; A47B 23/043; A47B 23/044

See application file for complete search history.

(56) **References Cited**

**U.S. PATENT DOCUMENTS**

D455,755 S *	4/2002	Levine	.....	D6/406.4
D483,767 S *	12/2003	Green	.....	D14/447
D539,291 S *	3/2007	Li	.....	D14/447
D559,850 S *	1/2008	Lye	.....	D14/447
D640,708 S *	6/2011	Lee	.....	D14/447
D689,500 S *	9/2013	Faulk	.....	D14/447
D767,575 S *	9/2016	Green	.....	D14/447
D786,883 S *	5/2017	Chen	.....	D14/447
D788,781 S *	6/2017	Chen	.....	D14/447
D797,109 S *	9/2017	Pisapia	.....	D14/447

D847,822 S *	5/2019	Lye	.....	D14/447
D857,698 S *	8/2019	Hu	.....	D14/447
D907,640 S *	1/2021	Huang	.....	D14/447
D925,545 S *	7/2021	Chen	.....	D14/447
D938,435 S *	12/2021	Feng	.....	D14/447
D953,264 S *	5/2022	Qi	.....	D14/447

**OTHER PUBLICATIONS**

Amazon.com\_ AOEVI Laptop Stand, first available Mar. 21, 2022 [online], retrieved Jul. 8, 2022, available at URL: <https://a.co/d/e41mZYK> (Year: 2022).\*

Amazon.com\_ Besign LS03 Aluminum Laptop Stand, first available Sep. 7, 2019 [online], retrieved Jul. 28, 2022, available at URL: <https://a.co/d/6qzXtl0> (Year: 2019).\*

\* cited by examiner

*Primary Examiner* — Wendy L Arminio

*Assistant Examiner* — Carrie S Gelula

(57) **CLAIM**

The ornamental design for a notebook stand, as shown and described.

**DESCRIPTION**

FIG. 1 is a perspective view of a notebook stand showing my new design;

FIG. 2 is a front view thereof;

FIG. 3 is a back view thereof;

FIG. 4 is a left side view thereof;

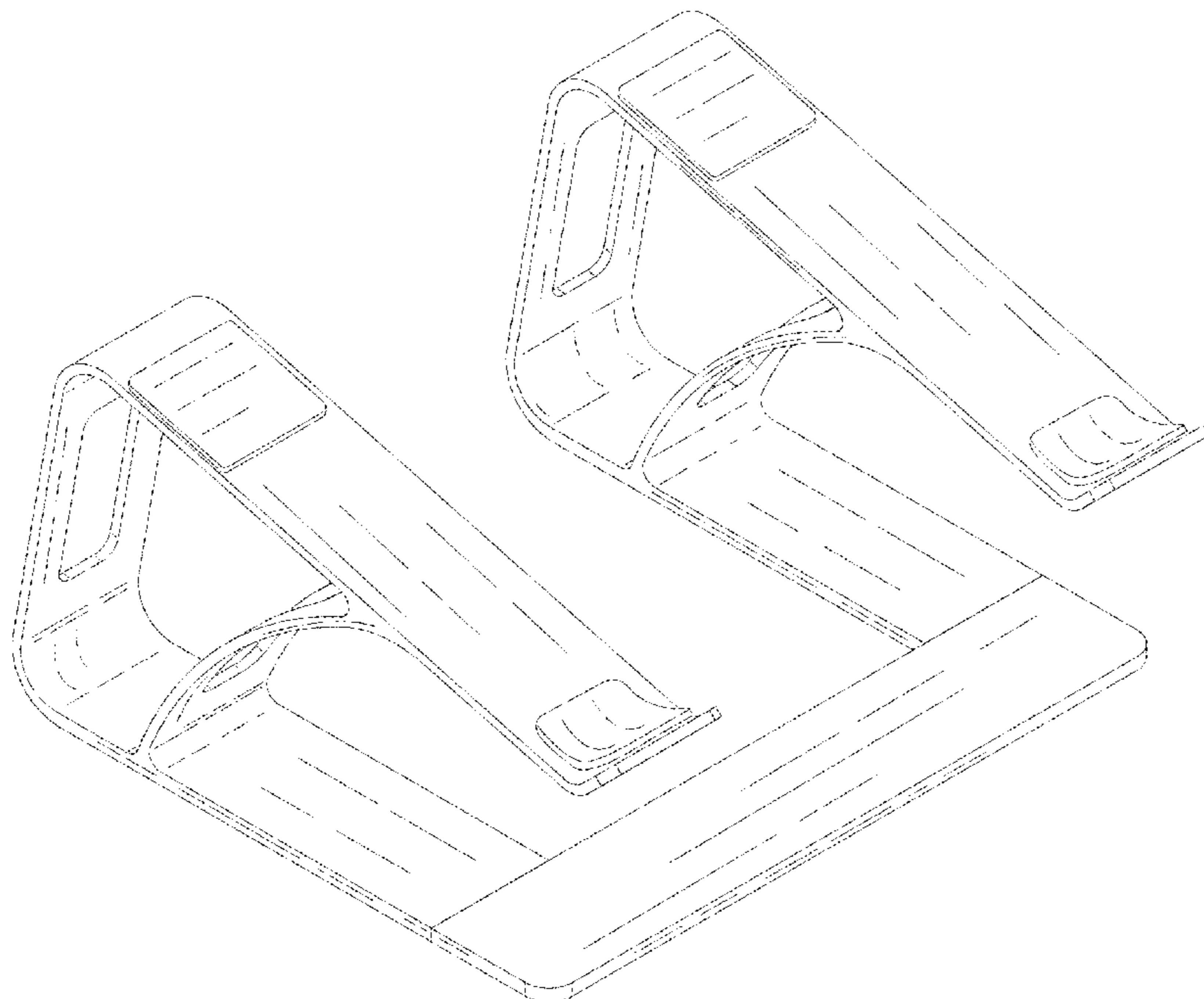
FIG. 5 is a right side view thereof;

FIG. 6 is a top plan view thereof; and,

FIG. 7 is a bottom plan view thereof.

The dashed or broken lines shown in the drawings depict portions of the Notebook stand in which the design is embodied that form no part of the claimed design.

**1 Claim, 7 Drawing Sheets**



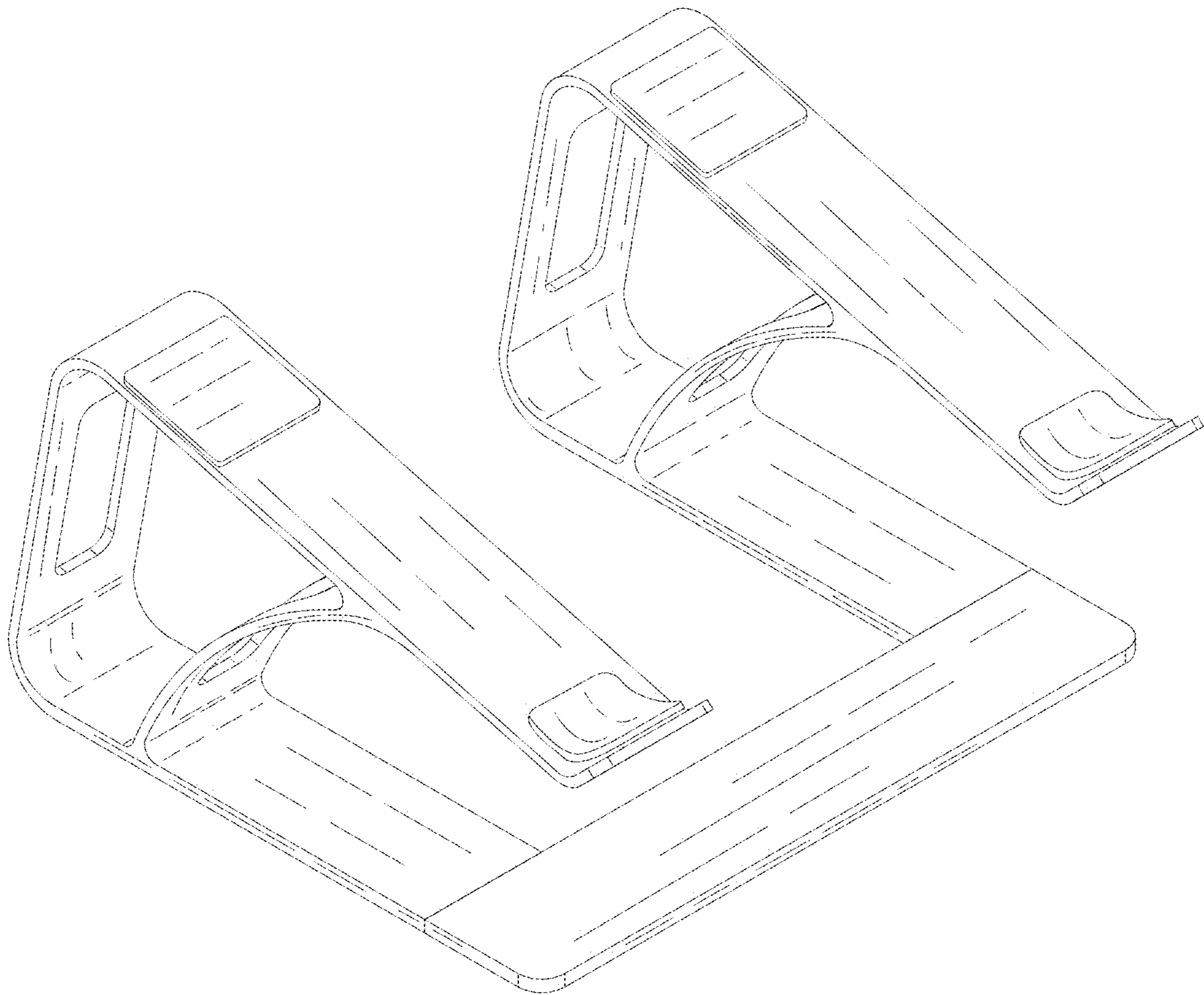


FIG.1



FIG.2



FIG.3

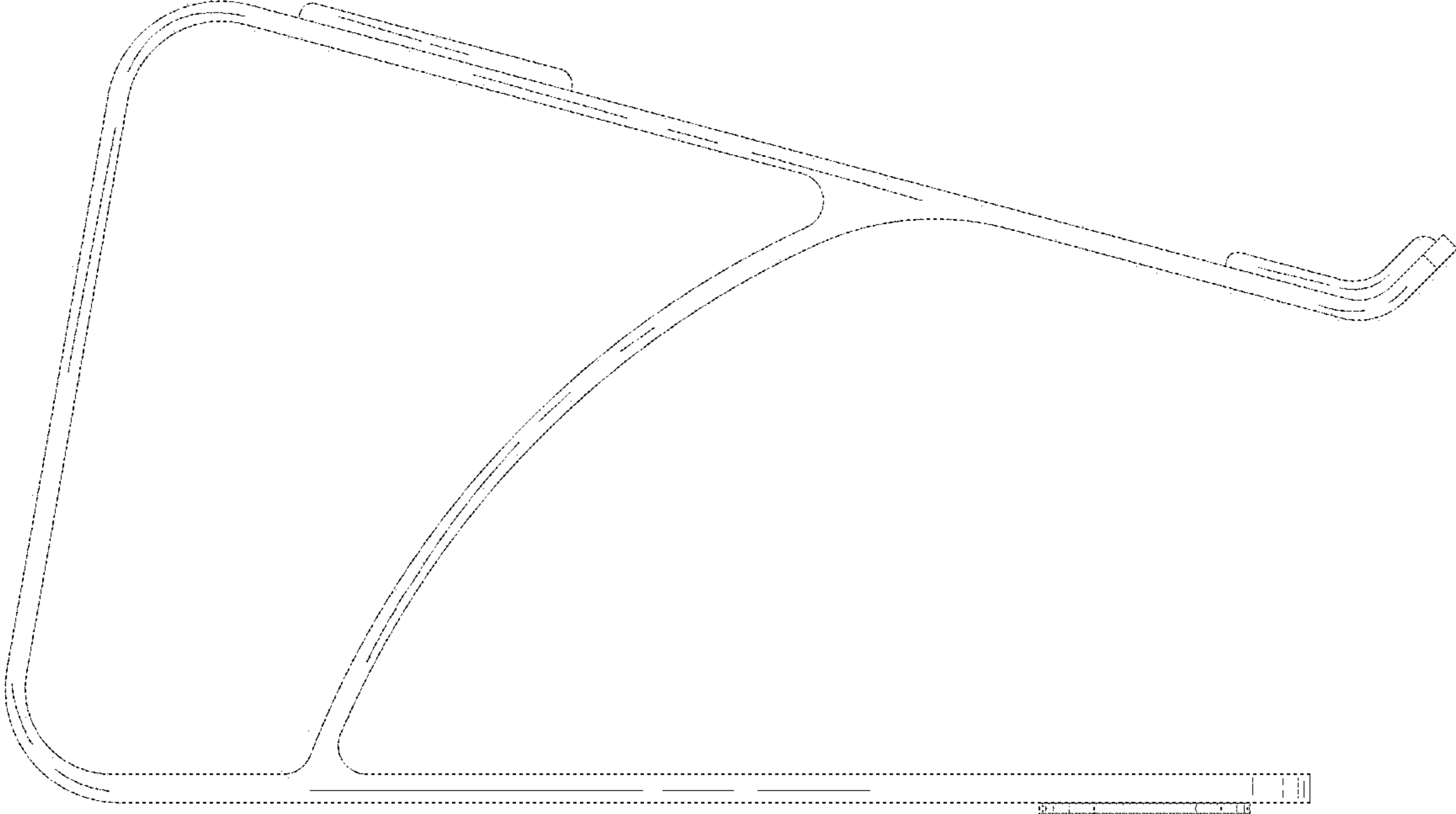


FIG.4

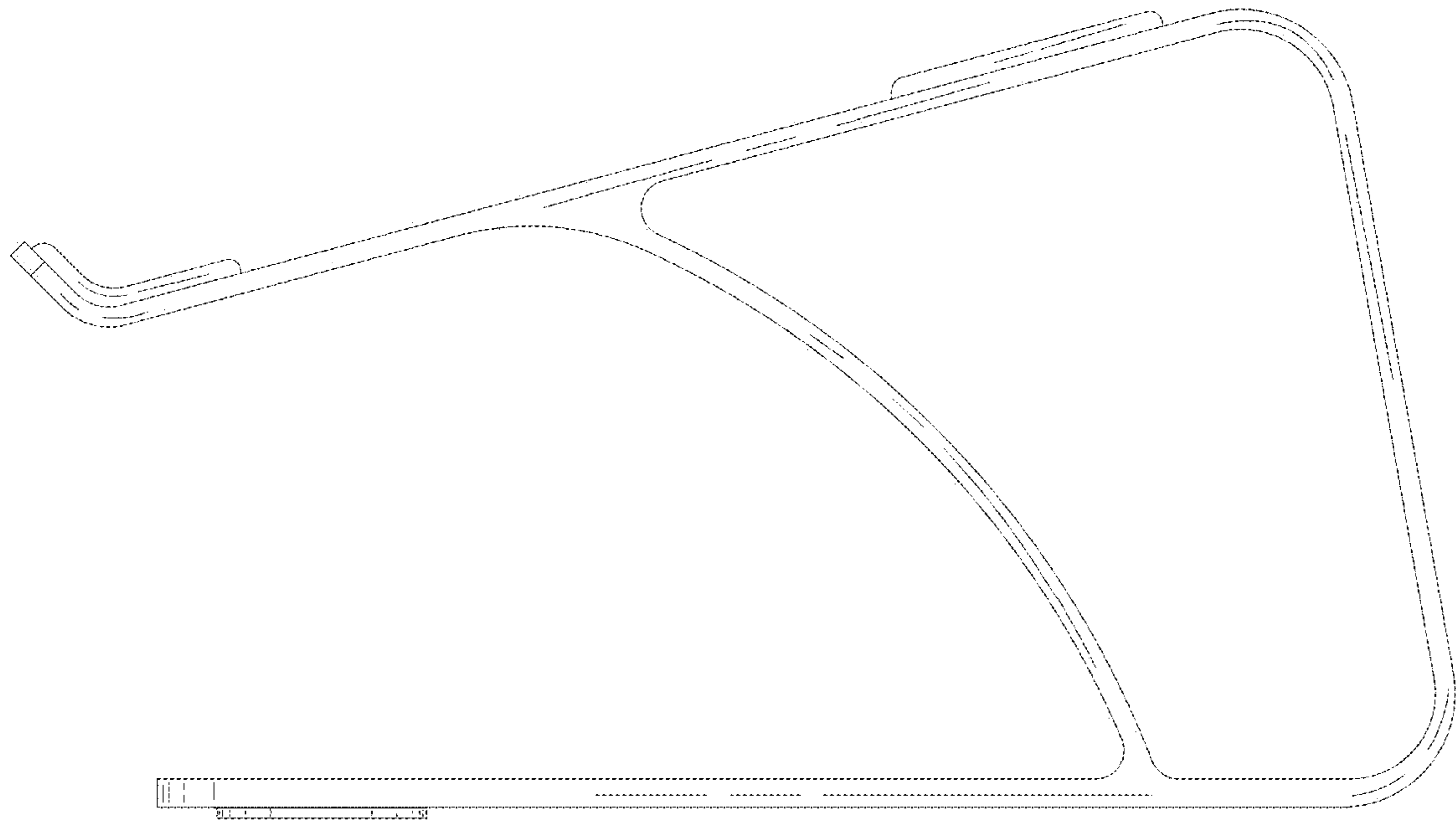


FIG.5

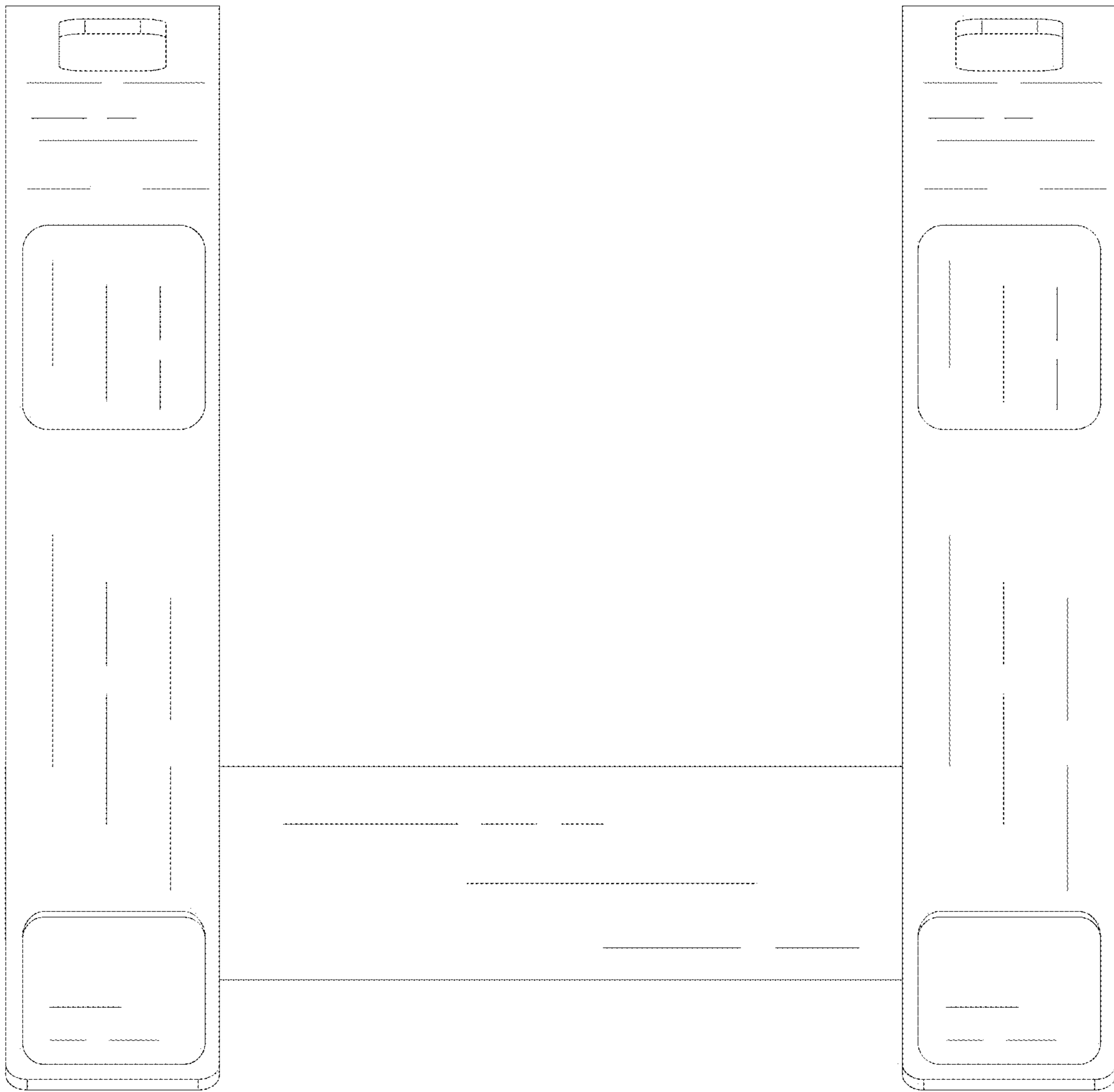


FIG. 6



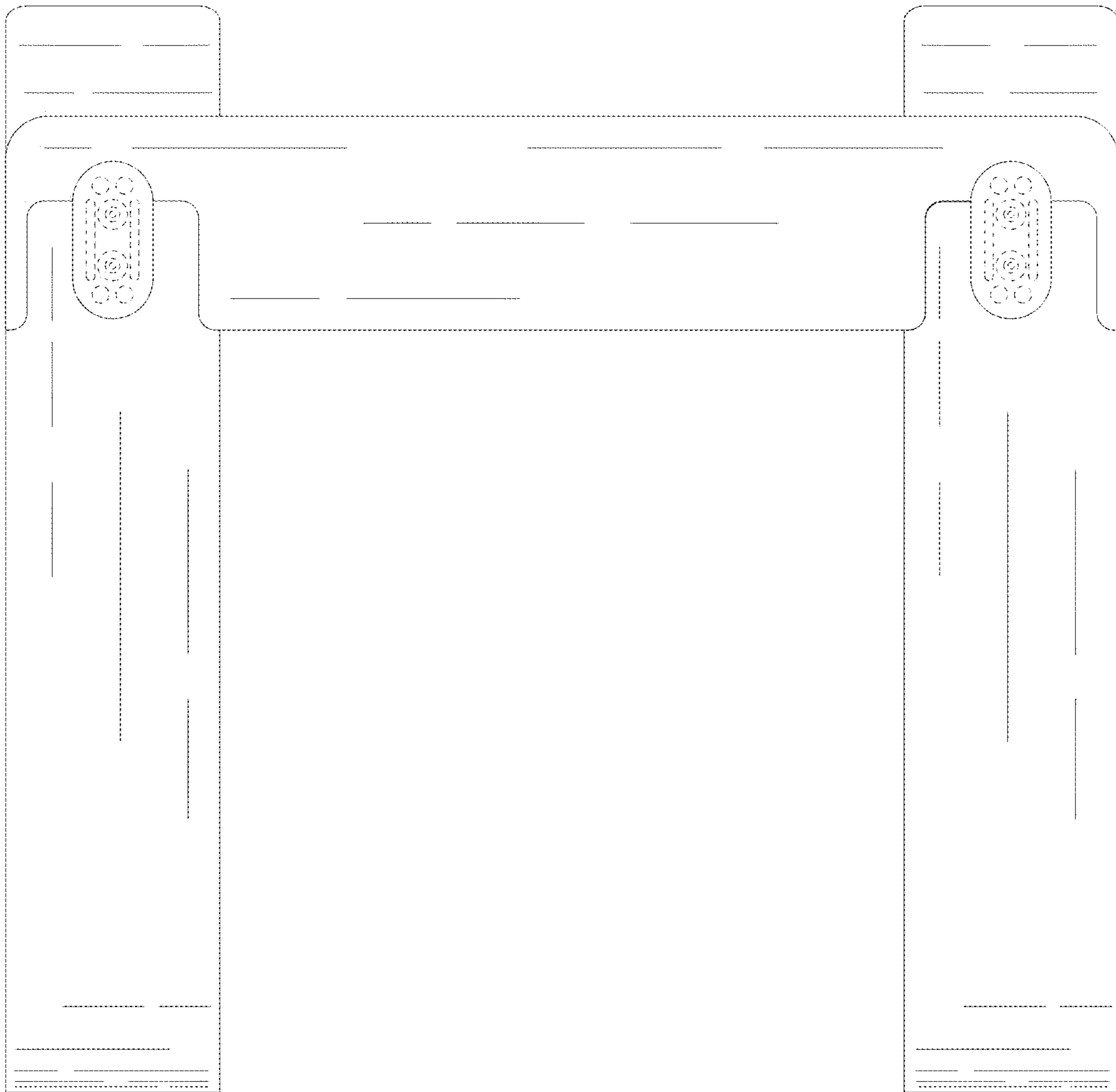


FIG. 7