



US00D971926S

(12) **United States Design Patent**
Huang

(10) **Patent No.:** **US D971,926 S**
(45) **Date of Patent:** **** Dec. 6, 2022**

(54) **TABLET HOLDER**

FOREIGN PATENT DOCUMENTS

(71) Applicant: **Daping Huang**, Henan Province (CN)

CN 306422872 * 3/2021

(72) Inventor: **Daping Huang**, Henan Province (CN)

OTHER PUBLICATIONS

(**) Term: **15 Years**

Amazon.com_ Urmust Laptop Notebook Stand, first available Dec. 19, 2019 [online], retrieved Jul. 8, 2022, available at URL: https://www.amazon.com/dp/B081YXWDTQ/ref=sspa_dk_detail_4 (Year: 2019).*

(21) Appl. No.: **29/759,941**

(22) Filed: **Nov. 26, 2020**

(51) **LOC (13) Cl.** **14-02**

* cited by examiner

(52) **U.S. Cl.**

USPC **D14/447**

Primary Examiner — Wendy L Arminio
Assistant Examiner — Carrie S Gelula

(58) **Field of Classification Search**

USPC D14/251, 252, 432, 434, 440, 447, 451,
D14/452, 457; D6/406.3, 406.4, 406.5,
D6/406.6, 655, 656; D19/91, 113

CPC A47B 2023/049; A47B 2097/006; A47B
23/04; A47B 23/043; A47B 23/044

See application file for complete search history.

(57) **CLAIM**

The ornamental design for a tablet holder, as shown and described.

(56) **References Cited**

DESCRIPTION

U.S. PATENT DOCUMENTS

D906,347 S *	12/2020	Yang	D14/447
D907,644 S *	1/2021	Li	D14/447
D920,338 S *	5/2021	Chen	D14/447
D923,631 S *	6/2021	Chen	D14/447
D923,632 S *	6/2021	Li	D14/447
D938,433 S *	12/2021	Huang	D14/447
D943,597 S *	2/2022	Feng	D14/447
D944,039 S *	2/2022	Shi	D14/447
D944,807 S *	3/2022	Luo	D14/447
D944,808 S *	3/2022	Wang	D14/447
D944,809 S *	3/2022	Wang	D14/447
D946,003 S *	3/2022	Gao	D14/447
D955,398 S *	6/2022	Huang	D14/447

FIG. 1 is a front and top perspective view of a tablet holder, showing my design;

FIG. 2 is a rear and bottom perspective view thereof;

FIG. 3 is a front elevational view thereof;

FIG. 4 is a rear elevational view thereof;

FIG. 5 is a left side elevational view thereof;

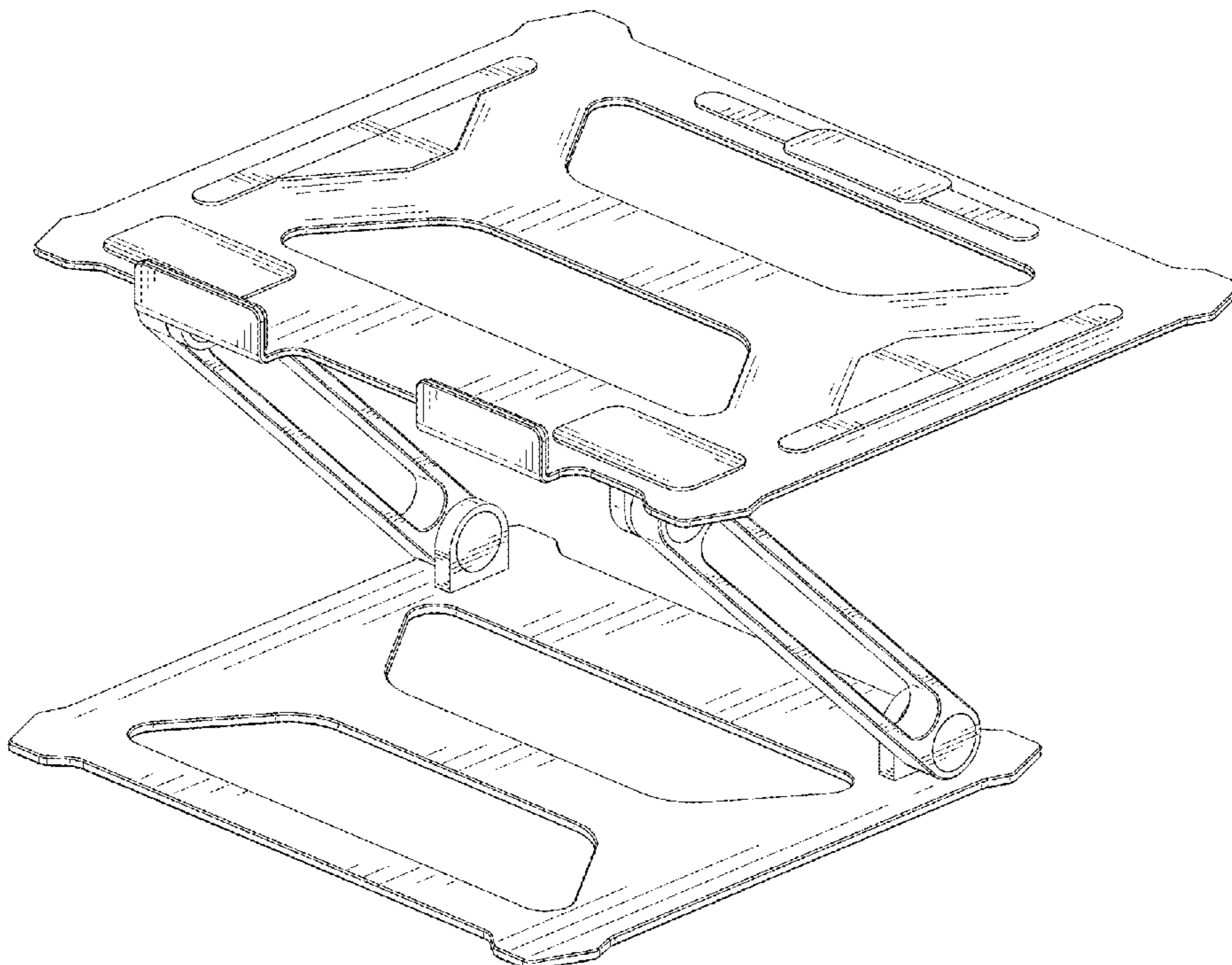
FIG. 6 is a right side elevational view thereof;

FIG. 7 is a top plan view thereof; and,

FIG. 8 is a bottom plan view thereof.

The broken lines in the figures illustrate portions of the article that form no part of the claimed design.

1 Claim, 8 Drawing Sheets



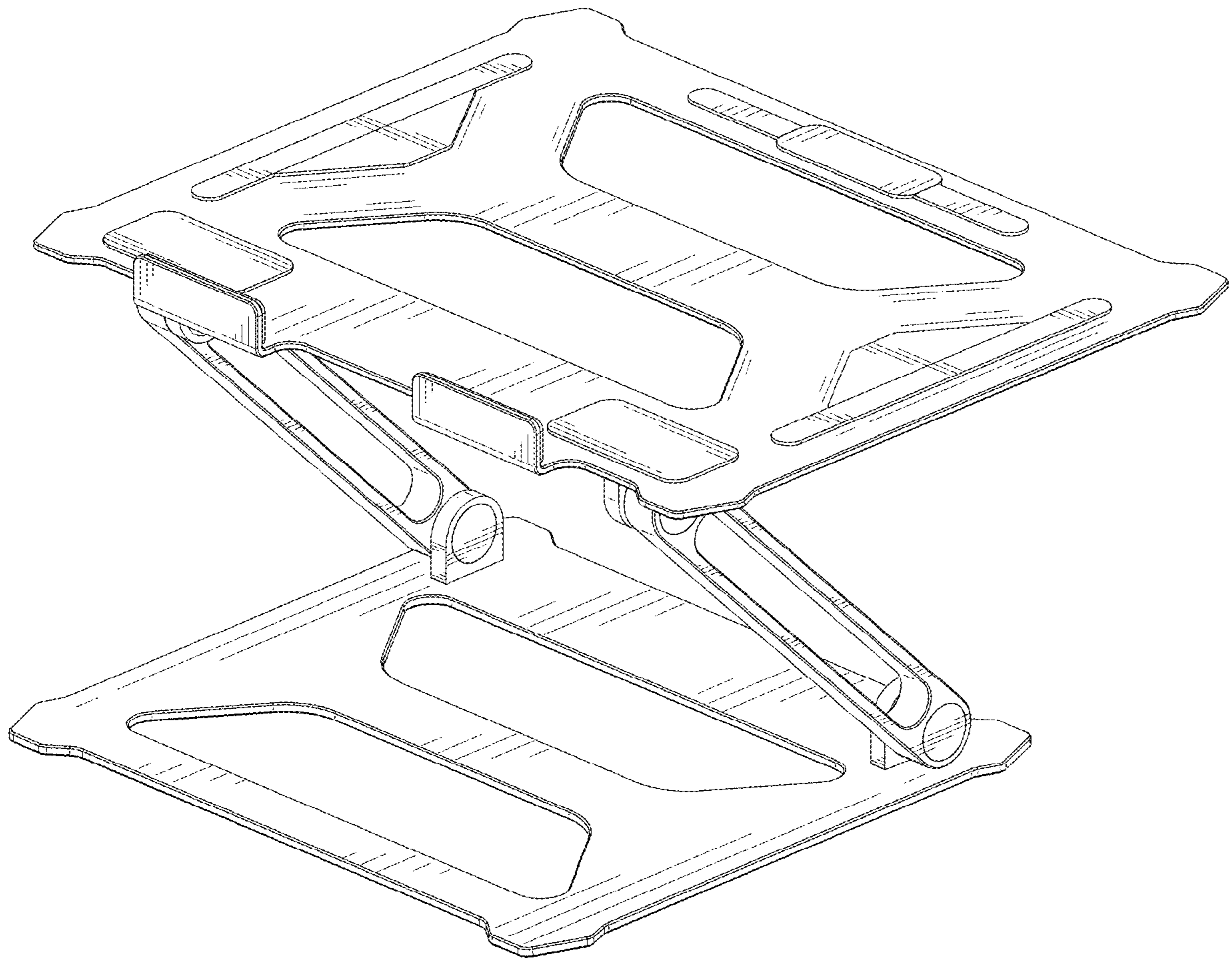


FIG. 1

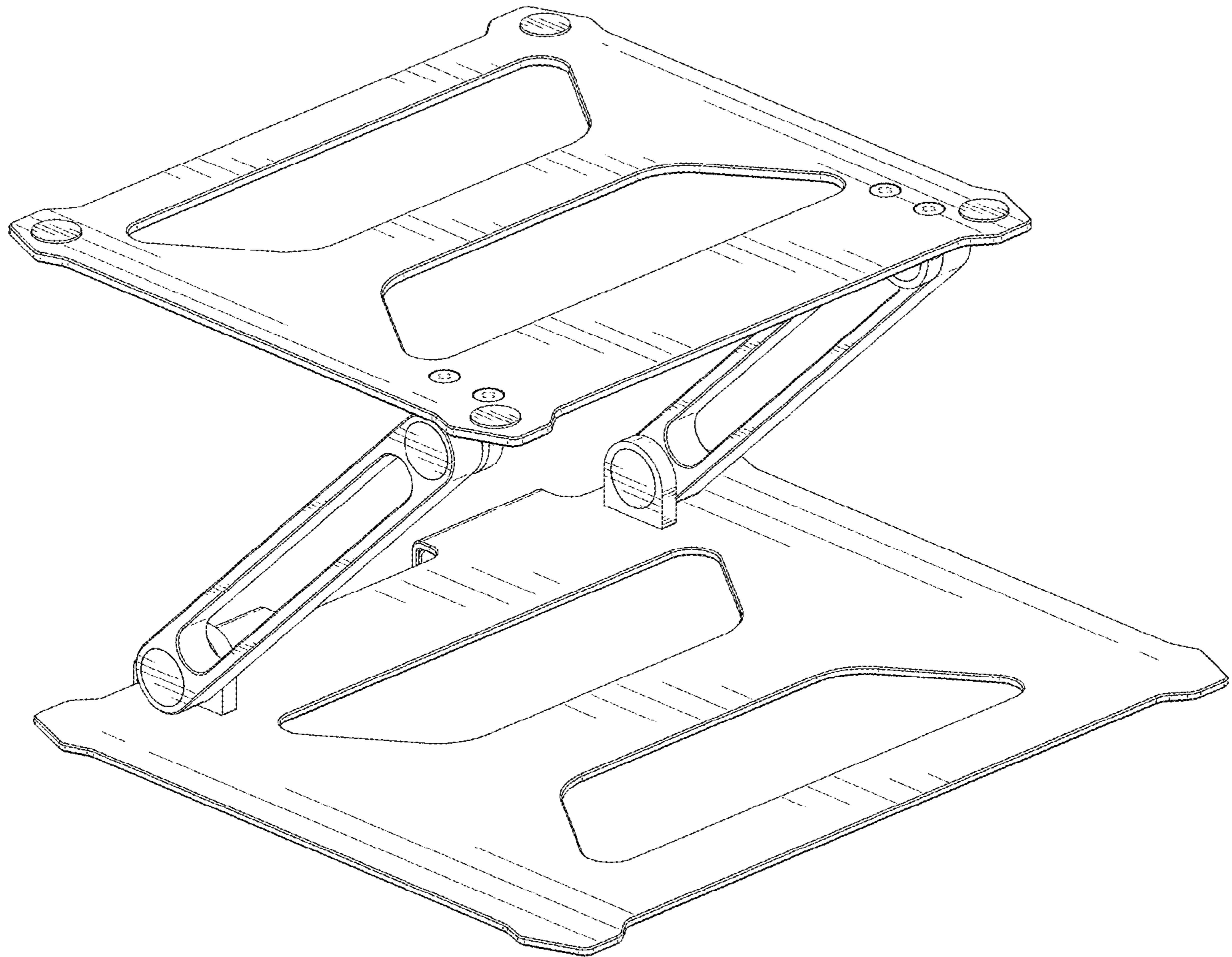


FIG. 2

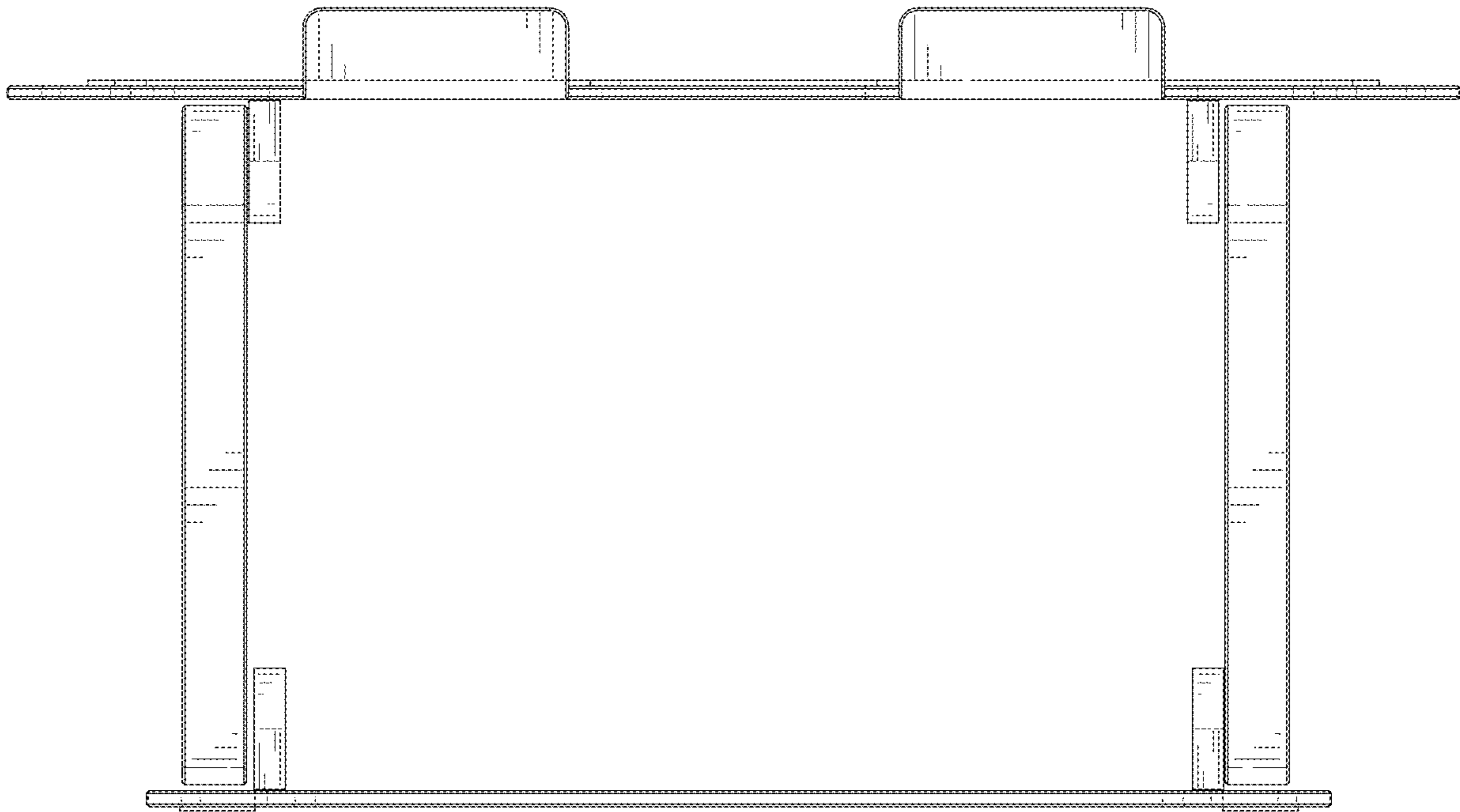


FIG. 3

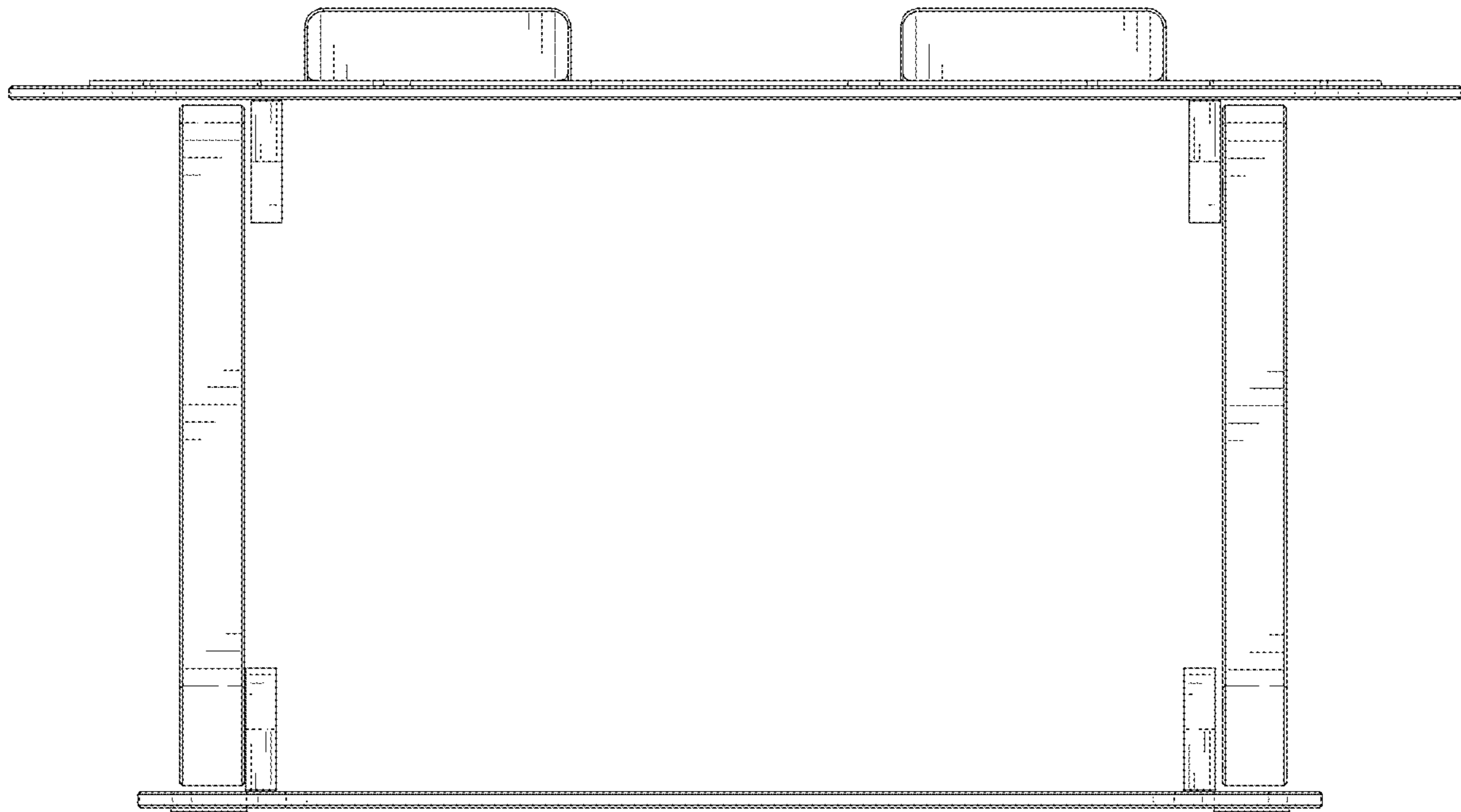


FIG. 4

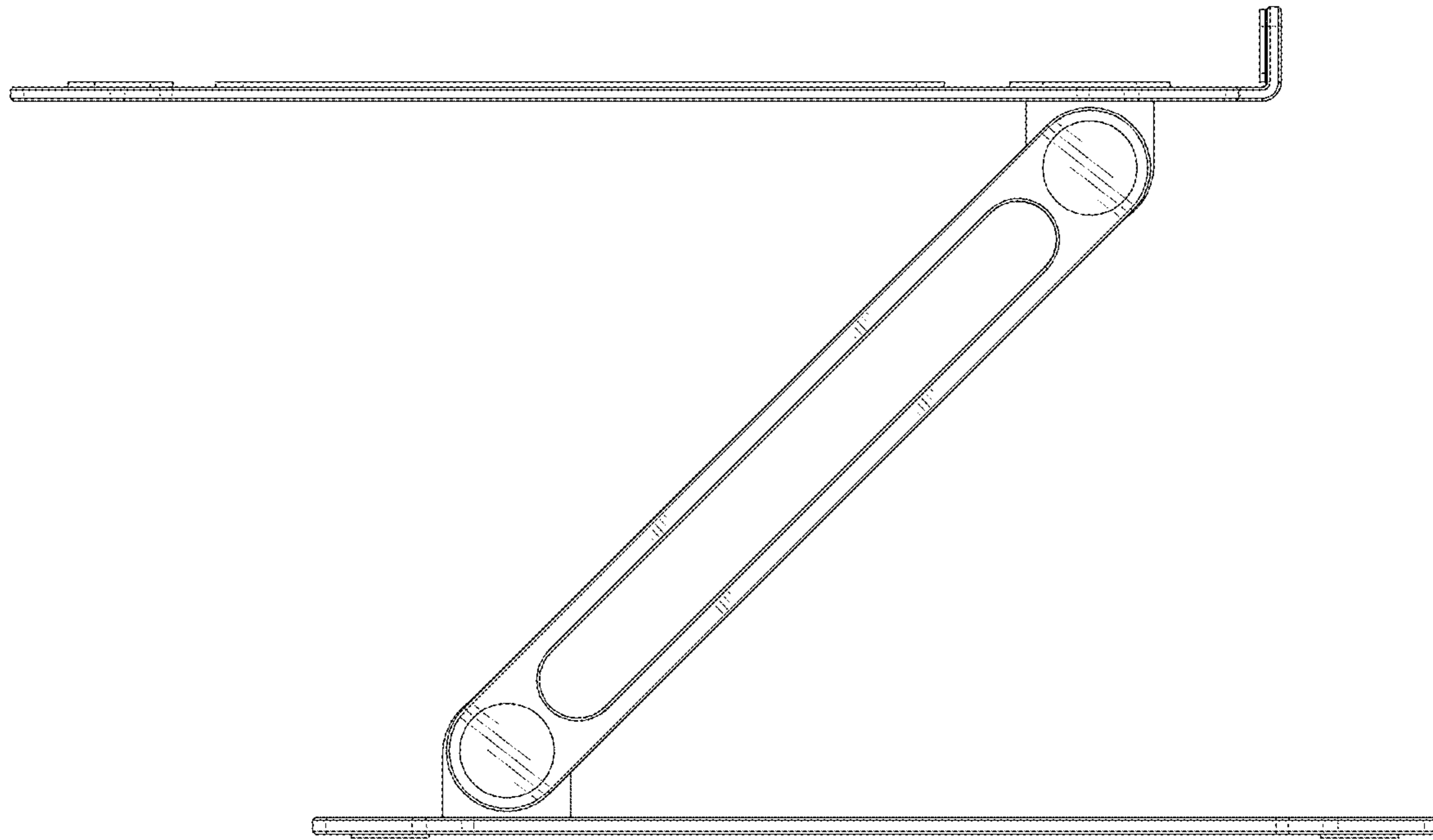


FIG. 5

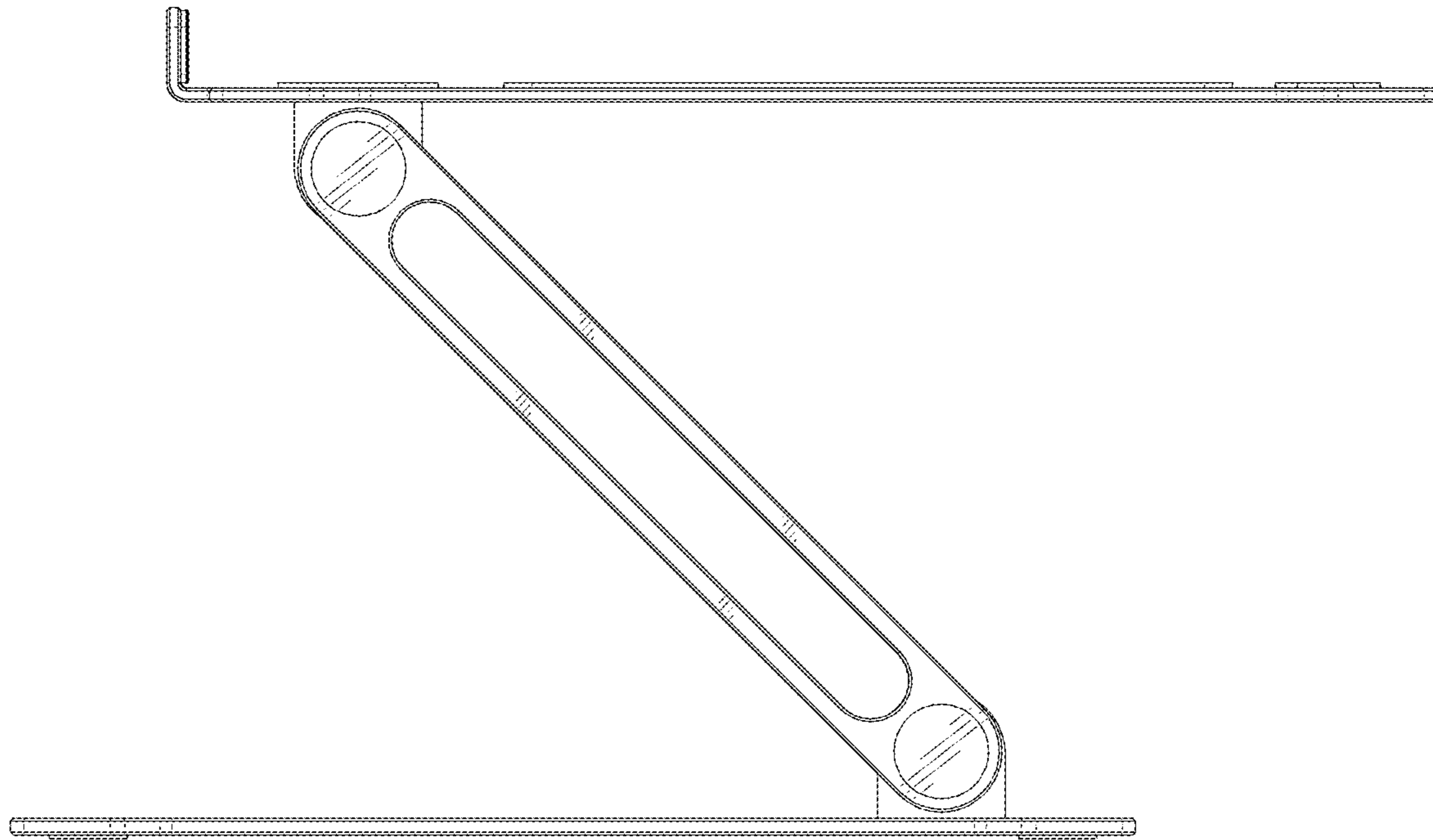


FIG. 6

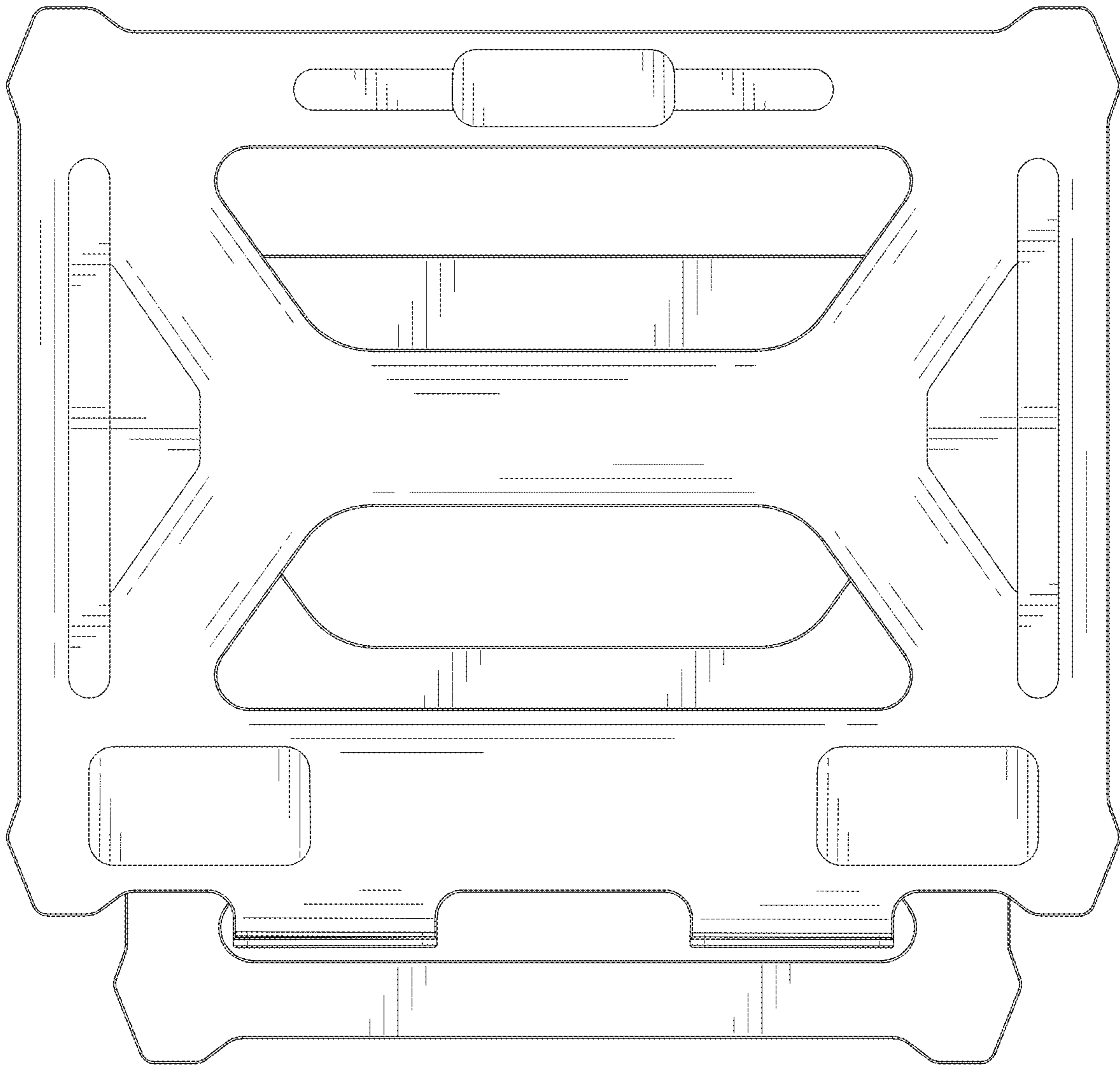


FIG. 7

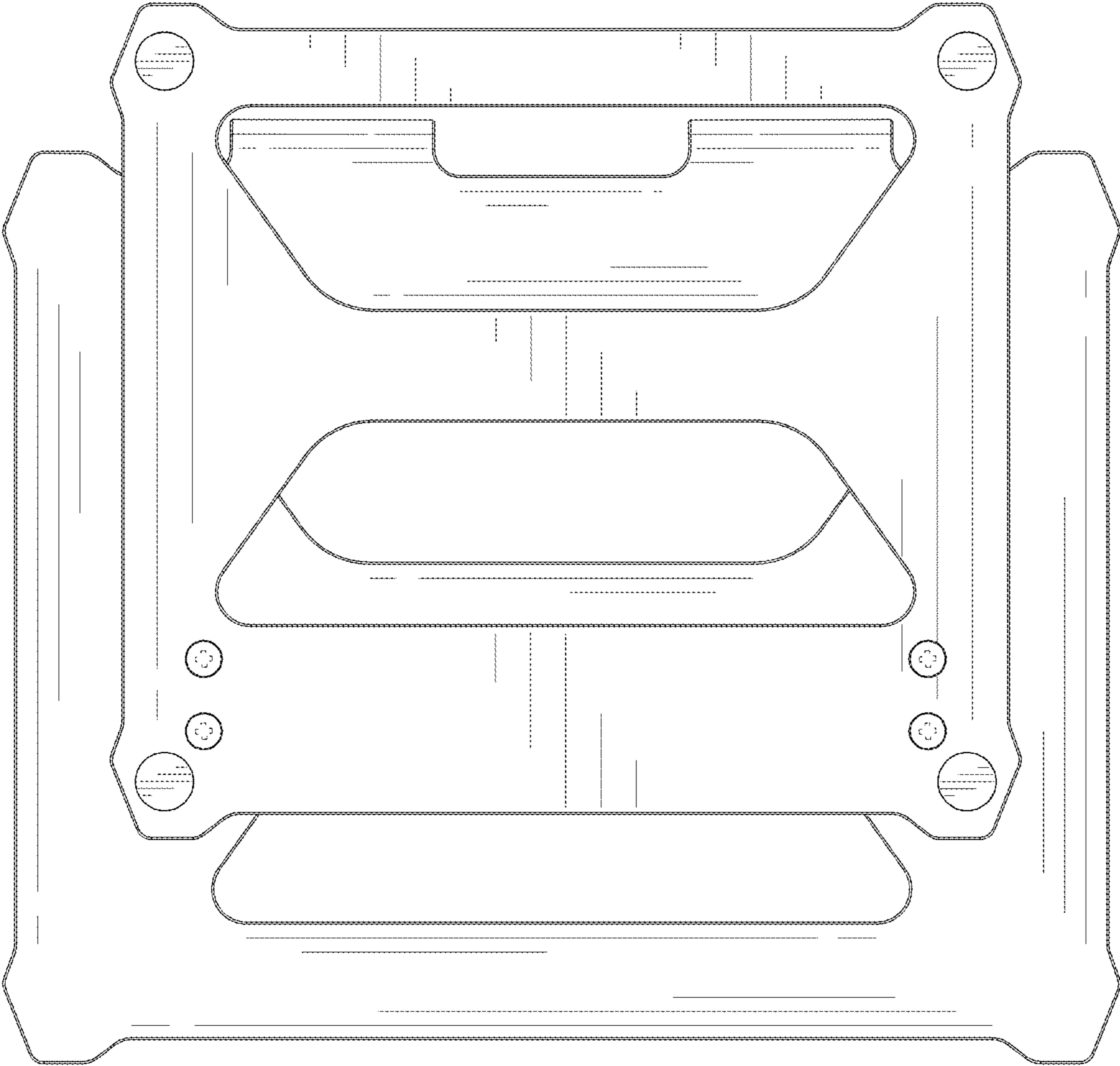


FIG. 8