



US00D971925S

(12) **United States Design Patent** (10) **Patent No.:** **US D971,925 S**  
**Li** (45) **Date of Patent:** **\*\* Dec. 6, 2022**

(54) **CONVERTER**

(71) Applicant: **Gang Li**, Zizhong (CN)

(72) Inventor: **Gang Li**, Zizhong (CN)

(\*\*) Term: **15 Years**

(21) Appl. No.: **29/751,317**

(22) Filed: **Sep. 21, 2020**

(51) **LOC (13) Cl.** ..... **14-02**

(52) **U.S. Cl.**  
USPC ..... **D14/443**

(58) **Field of Classification Search**  
USPC ..... D13/103, 107, 108, 110, 146; D14/356,  
D14/432, 433, 434, 443; D27/162, 167  
CPC .... H01R 25/006; H01R 27/02; H01R 31/005;  
G06F 13/4022; G06F 13/382; G06F  
1/632; G06F 1/1684; G06F 1/20; G06F  
1/1607

See application file for complete search history.

(56) **References Cited**

**U.S. PATENT DOCUMENTS**

D828,840 S *	9/2018	Zhang	.....	D14/433
D828,841 S *	9/2018	Zhang	.....	D14/433
D854,020 S *	7/2019	Liao	.....	D14/433
D862,385 S *	10/2019	Turksu	.....	D13/108
D876,441 S *	2/2020	Boehmer	.....	D14/433
D883,288 S *	5/2020	Zhan	.....	D14/433
D885,339 S *	5/2020	Duan	.....	D13/110
D886,825 S *	6/2020	Zhang	.....	D14/433
D889,469 S *	7/2020	Zhang	.....	D14/433
D890,151 S *	7/2020	Gao	.....	D14/125
D893,488 S *	8/2020	Liu	.....	D14/433
D894,190 S *	8/2020	Zhang	.....	D14/433
D896,220 S *	9/2020	Wu	.....	D14/433
D896,814 S *	9/2020	Zhang	.....	D14/433
D902,211 S *	11/2020	Jiang	.....	D14/433
D904,411 S *	12/2020	Zhang	.....	D14/433
D905,063 S *	12/2020	Liu	.....	D14/434
D908,126 S *	1/2021	Chen	.....	D14/433

D909,385 S *	2/2021	Kong	.....	D14/433
D909,386 S *	2/2021	Turksu	.....	D14/433
D910,623 S *	2/2021	Cueto	.....	D14/240
D911,346 S *	2/2021	Turksu	.....	D14/433

(Continued)

**FOREIGN PATENT DOCUMENTS**

CN	304788483	*	8/2018
CN	304967981	*	12/2018

(Continued)

**OTHER PUBLICATIONS**

Satechi, Earliest Review on May 14, 2018 [online], retrieved on Jul. 8, 2022, retrieved from internet, <https://satechi.net/products/aluminum-type-c-pro-hub-adapter-with-ethernet?variant=2265460277257> (Year: 2018).\*

(Continued)

*Primary Examiner* — Messina L Smith

*Assistant Examiner* — Noah Perez

(57) **CLAIM**

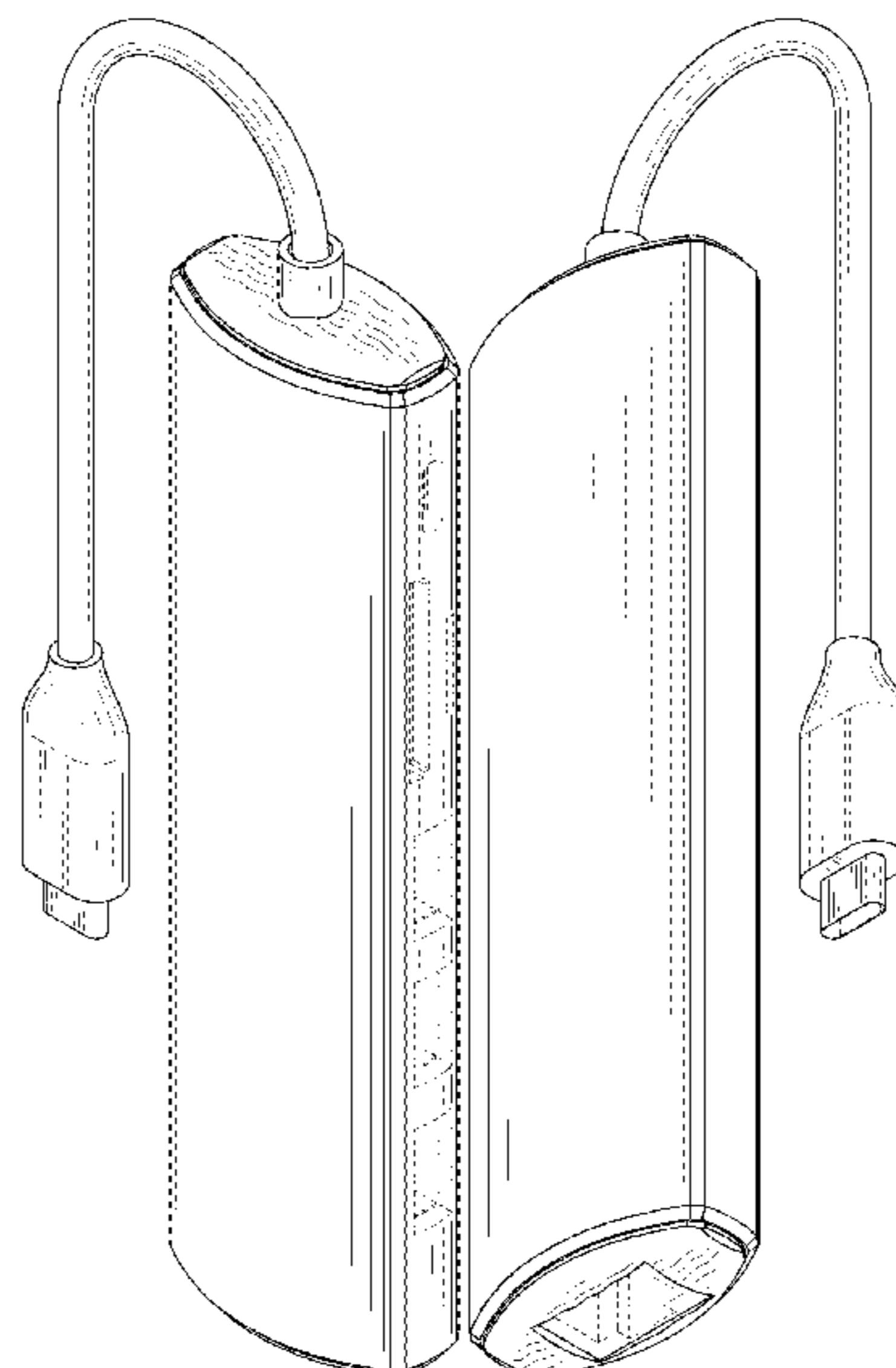
The ornamental design for a converter, as shown and described.

**DESCRIPTION**

FIG. 1 is a first perspective view of a converter showing my new design;  
FIG. 2 is a second perspective view thereof;  
FIG. 3 is a front view thereof;  
FIG. 4 is a back view thereof;  
FIG. 5 is a left side view thereof;  
FIG. 6 is a right side view thereof;  
FIG. 7 is a top view thereof; and,  
FIG. 8 is a bottom view thereof.

The broken lines shown in the drawings depict portions of the converter in which the design is embodied that form no part of the claimed design.

**1 Claim, 8 Drawing Sheets**



(56)

References Cited

U.S. PATENT DOCUMENTS

D912,056 S \* 3/2021 Liao ..... D14/433  
 D916,093 S \* 4/2021 Liao ..... D14/433  
 D916,094 S \* 4/2021 Liao ..... D14/433  
 D918,917 S \* 5/2021 Wu ..... D14/433  
 D918,918 S \* 5/2021 Wu ..... D14/433  
 D923,626 S \* 6/2021 Zhang ..... D14/433  
 D927,490 S \* 8/2021 Liu ..... D14/434  
 D927,503 S \* 8/2021 Li ..... D14/480.1  
 D930,652 S \* 9/2021 Lo ..... D14/433  
 D933,071 S \* 10/2021 Liu ..... D14/433  
 D934,295 S \* 10/2021 Olsson ..... D14/496  
 D945,416 S \* 3/2022 Reichert ..... D14/356  
 D945,995 S \* 3/2022 Reichert ..... D14/356  
 D946,052 S \* 3/2022 Olsson ..... D14/496  
 D953,334 S \* 5/2022 Zhang ..... D14/433  
 D953,338 S \* 5/2022 Zhang ..... D14/433  
 D956,689 S \* 7/2022 Reilly ..... D13/103

FOREIGN PATENT DOCUMENTS

CN 304980750 \* 1/2019  
 CN 306761029 \* 8/2021

OTHER PUBLICATIONS

Plugable, announced on Nov. 20, 2020 [online], retrieved on Jul. 8, 2022, retrieved from internet, <https://www.amazon.com/Plugable-USB-Multiport-Adapter-Ethernet/dp/B08NXV94QM> (Year: 2020).\*  
 Vkusra, announced on Nov. 17, 2021 [online], retrieved on Jul. 8, 2022, retrieved from internet, [https://www.amazon.com/dp/B09M3LVX1H/ref=sspa\\_dk\\_detail\\_2?pd\\_rd\\_i=B09M3LVX1H&th=1](https://www.amazon.com/dp/B09M3LVX1H/ref=sspa_dk_detail_2?pd_rd_i=B09M3LVX1H&th=1) (Year: 2021).\*  
 C2G, Earlier Review on Nov. 21, 2019 [online], retrieved Jul. 8, 2022, retrieved from internet, <https://www.cdw.com/product/c2g-usb-c-to-gbe-network-adapter-converter-gigabit-ethernet-pxe-boot/5164742?gclid> (Year: 2019).\*

\* cited by examiner

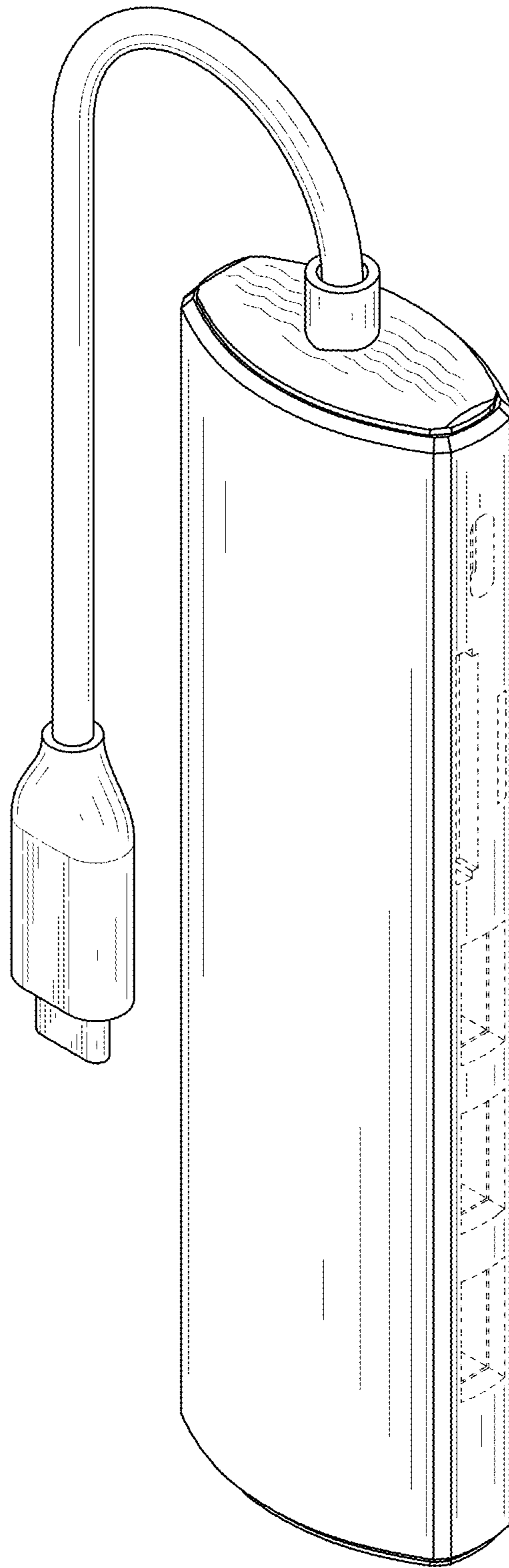


FIG. 1

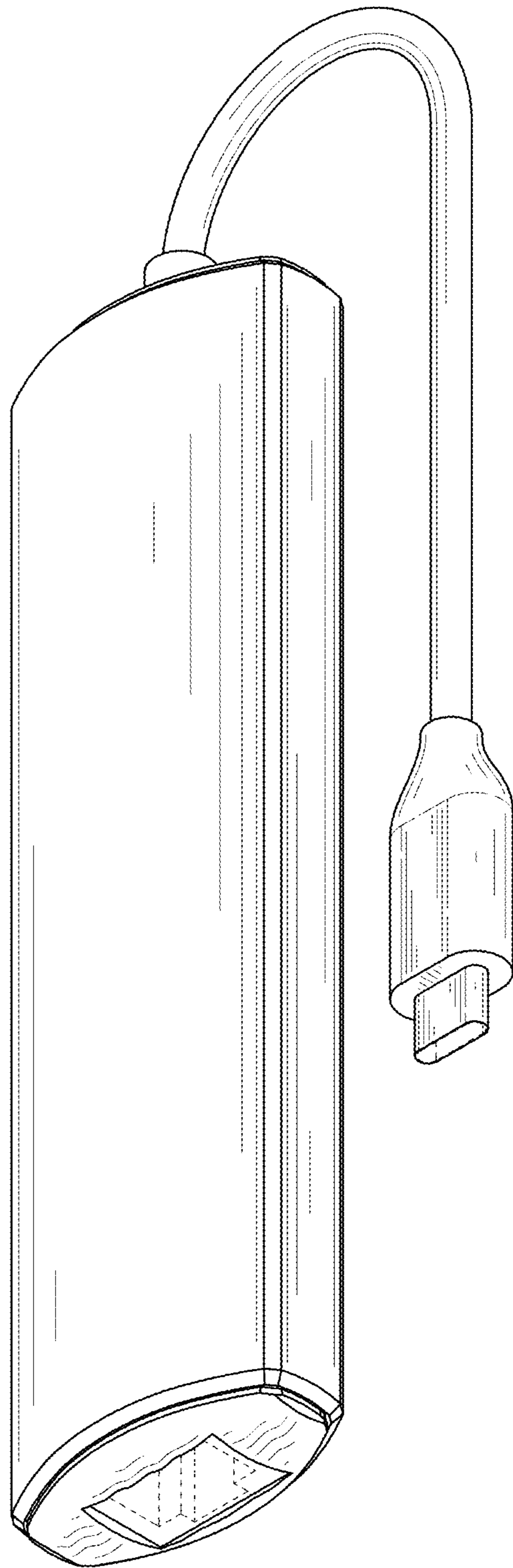


FIG. 2

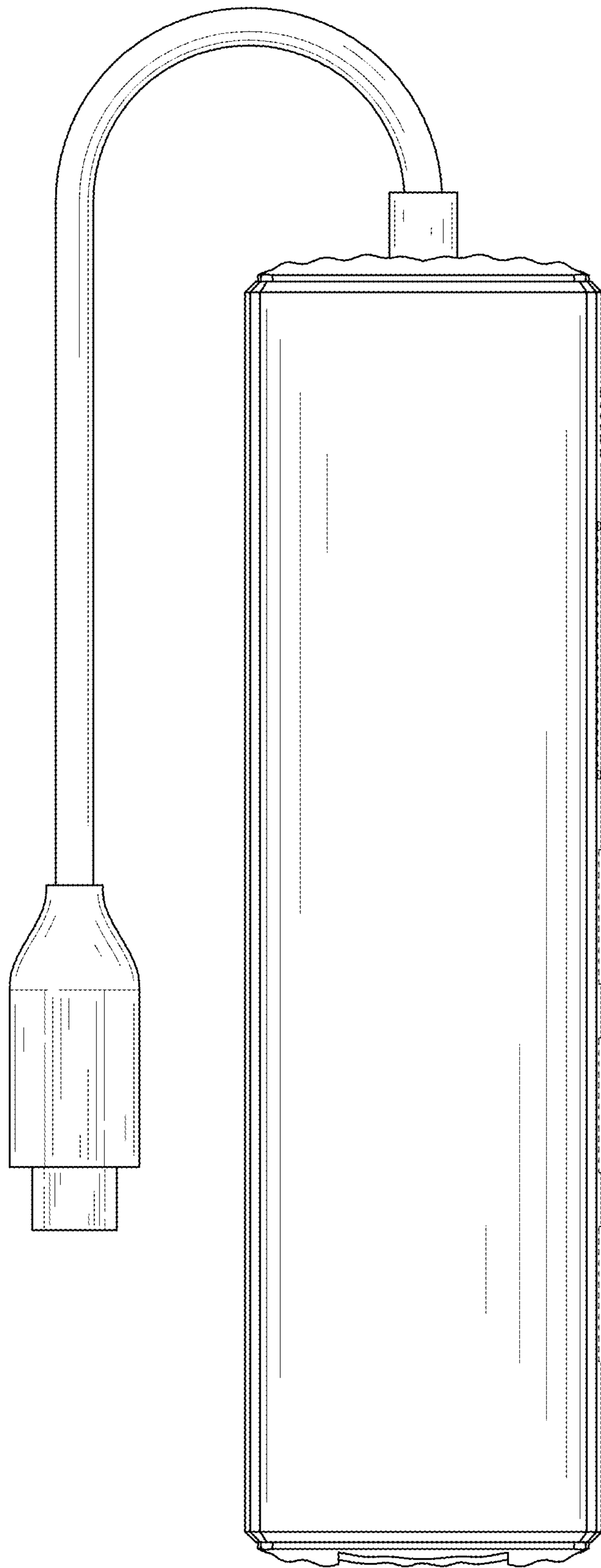


FIG. 3

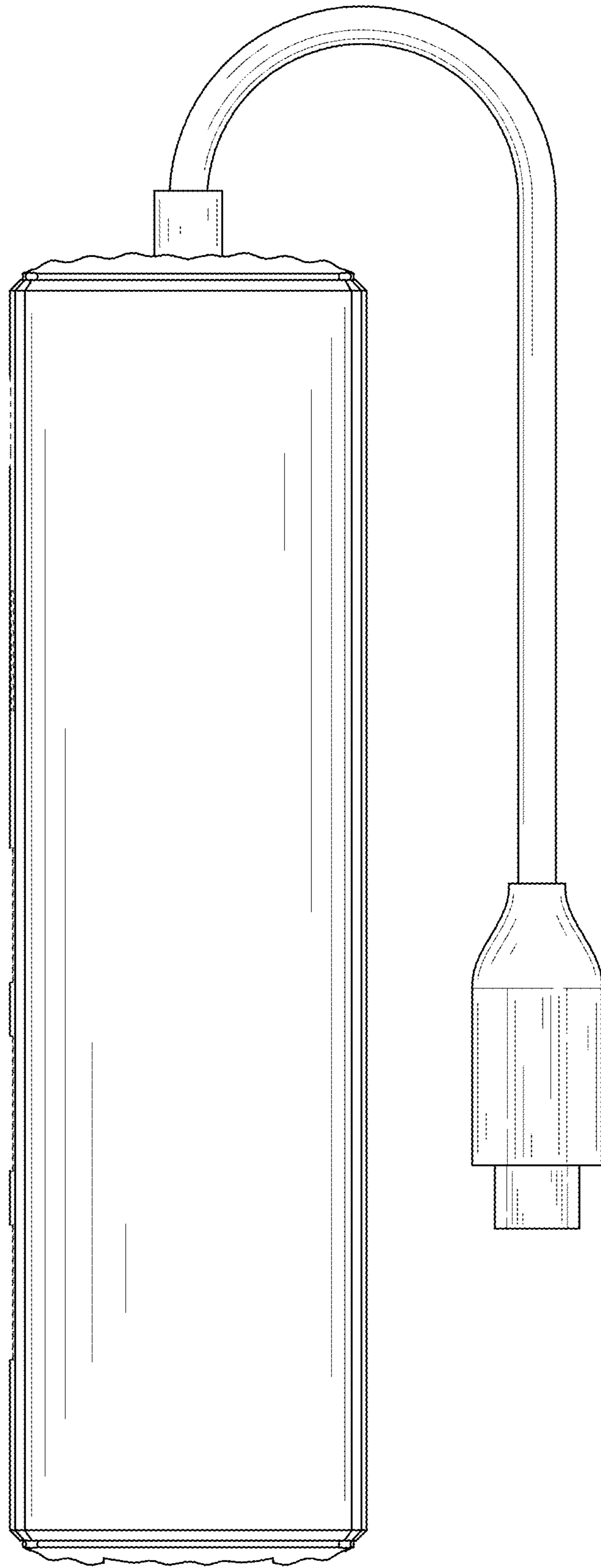


FIG. 4

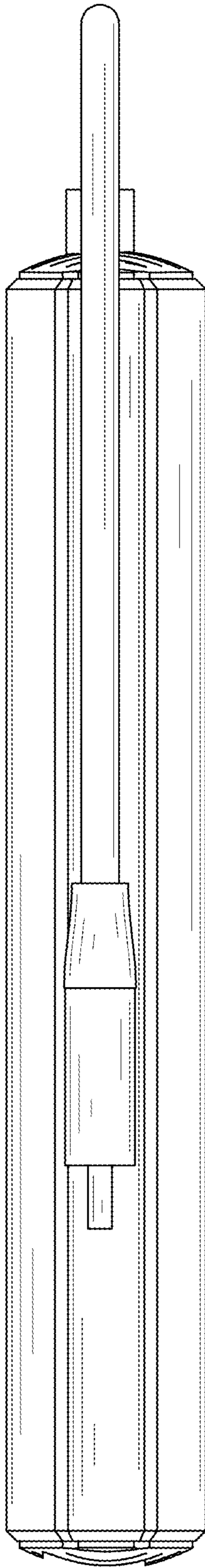


FIG. 5

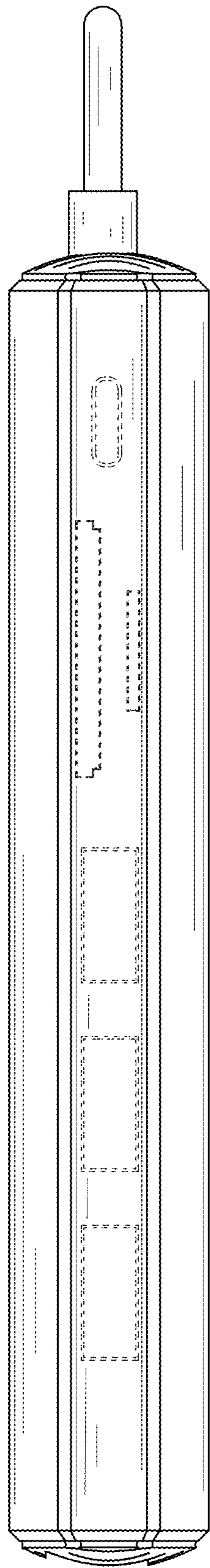


FIG. 6



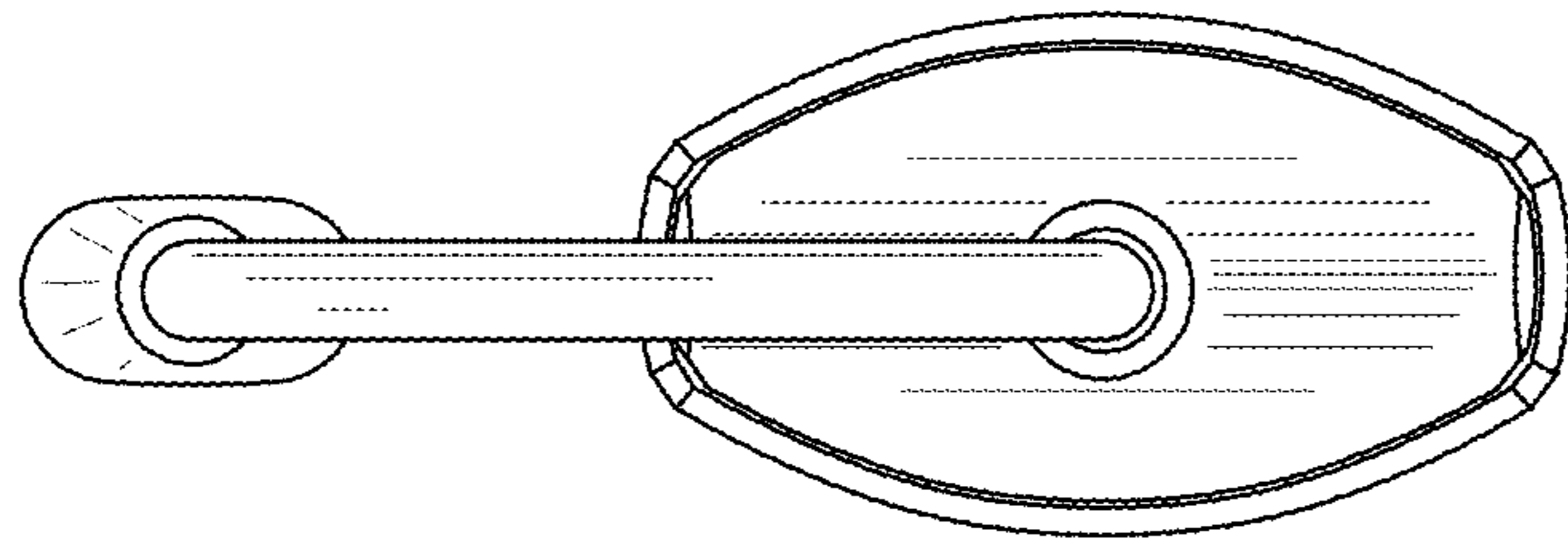


FIG. 7

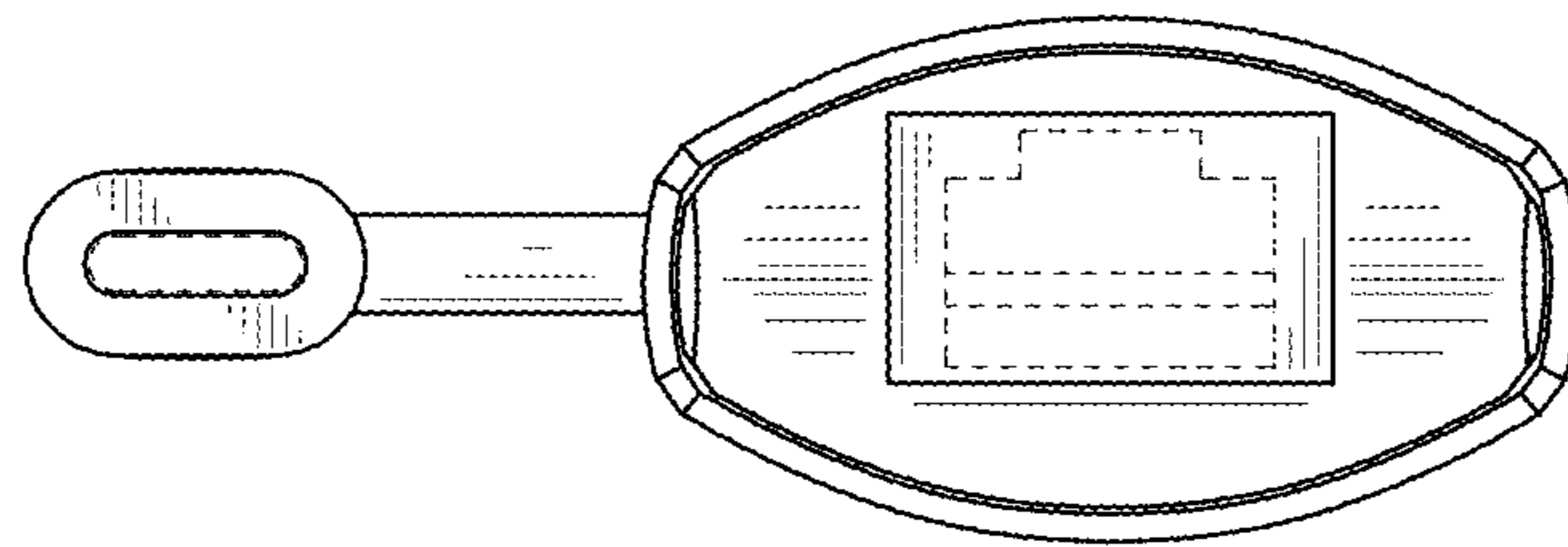


FIG. 8