



US00D971922S

(12) **United States Design Patent** (10) **Patent No.:** **US D971,922 S**
Wu (45) **Date of Patent:** **** Dec. 6, 2022**

(54) **DOCKING STATION**
(71) Applicant: **Shihong Wu**, Liuzhou (CN)
(72) Inventor: **Shihong Wu**, Liuzhou (CN)
(73) Assignee: **JIANGXI KINGTRON TECHNOLOGY CO., LTD.**, Jiangxi (CN)

D468,258 S * 1/2003 Guo D13/107
D495,336 S * 8/2004 Andre D14/434
D647,525 S * 10/2011 Seto D14/434
D672,350 S * 12/2012 Gioscia D14/434
D689,858 S 9/2013 Lo
D779,493 S * 2/2017 Eliyahu D14/434
D806,712 S * 1/2018 Cebe D14/434
D828,144 S * 9/2018 Rodack D8/374
D920,905 S * 6/2021 Huang D13/107
D956,687 S * 7/2022 Huang D13/107
2013/0166808 A1* 6/2013 Yu G06F 1/1632
710/303

(**) Term: **15 Years**

(21) Appl. No.: **29/817,598**

(22) Filed: **Dec. 2, 2021**

(51) **LOC (13) Cl.** **14-02**

(52) **U.S. Cl.**
USPC **D14/434**

(58) **Field of Classification Search**
USPC D14/240, 242, 356, 357, 358, 378, 383,
D14/384, 386, 433, 434, 435.1, 480.1,
D14/480.3, 480.4, 480.5, 480.6, 480.7;
D13/103, 107, 108, 110, 146,
D13/139.6–139.8, 148, 184; D18/12,
D18/12.1, 12.3
CPC H01R 27/02; H01R 25/003; H01R 25/006;
H01R 31/005; H01R 13/60; H01R
13/6658; H01R 13/72; G06F 1/1607;
G06F 1/1632; G06F 1/1684; G06F 1/266;
G06F 11/325; G06F 13/00; G06F 13/12;
G06F 13/14; G06F 13/20; G06F 13/382;
G06F 13/4002; G06F 9/4413
See application file for complete search history.

(56) **References Cited**

U.S. PATENT DOCUMENTS

5,182,697 A * 1/1993 I-Shou G06K 15/00
361/679.02
5,931,929 A * 8/1999 Tran G06F 1/1632
710/14

OTHER PUBLICATIONS

SHYPT Type c Docking Station, newegg.com, [online], [site visited Jul. 26, 2022], Available from internet URL: <https://www.newegg.com/p/1BK-07JW-00806> (Year: 2022).*

* cited by examiner

Primary Examiner — Jae Liang
Assistant Examiner — Holly M Rodriguez
(74) *Attorney, Agent, or Firm* — Justin Lampel

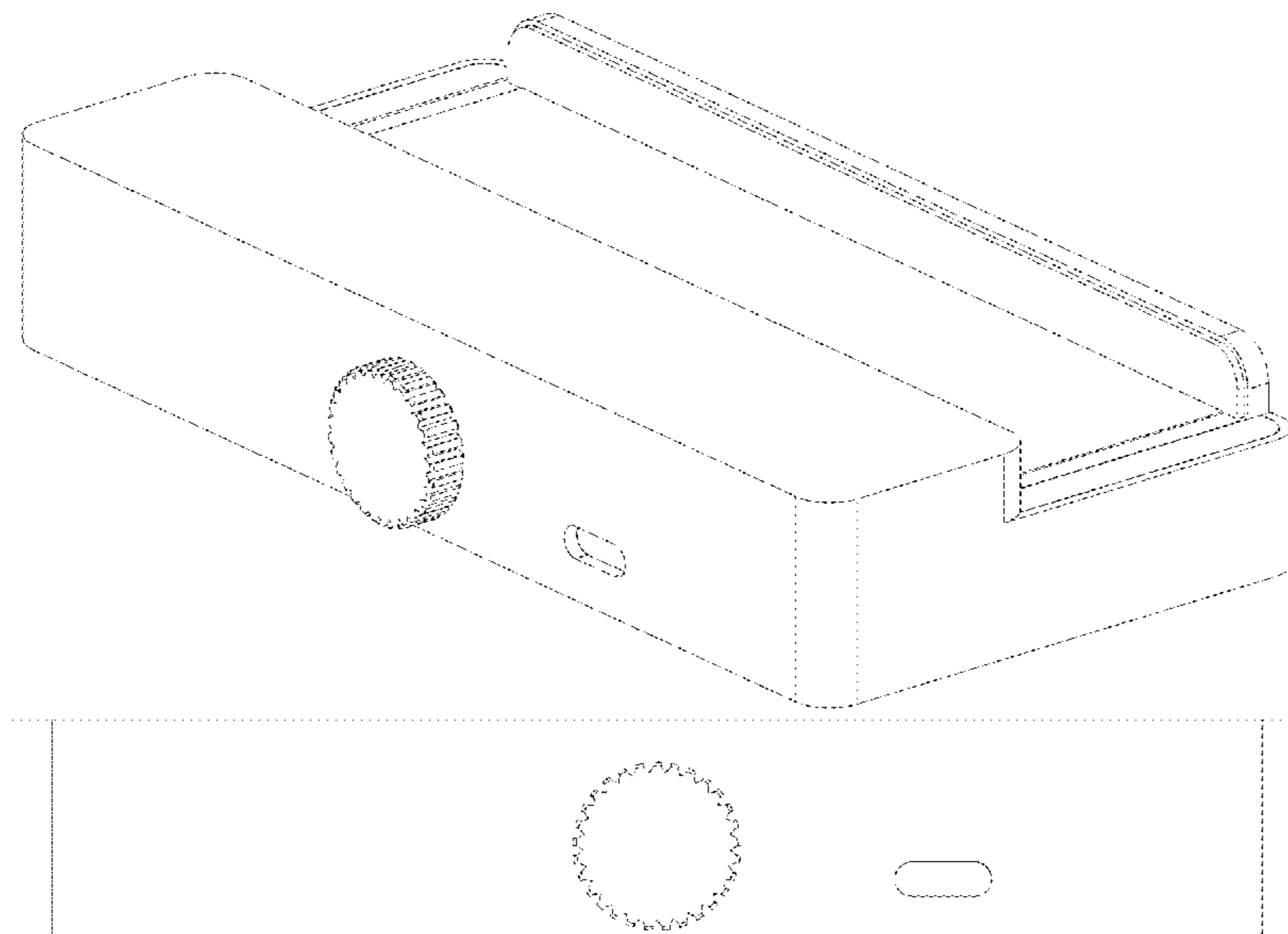
(57) **CLAIM**

The ornamental design for a docking station, as shown and described.

DESCRIPTION

FIG. 1 is a perspective view of a docking station showing my new design;
FIG. 2 is a top plan view thereof;
FIG. 3 is a rear elevational view thereof;
FIG. 4 is a left side view thereof;
FIG. 5 is a front elevational view thereof;
FIG. 6 is a right side view thereof; and,
FIG. 7 is a bottom plan view thereof.
The broken lines illustrate portions of the docking station that form no part of the claimed design.

1 Claim, 7 Drawing Sheets



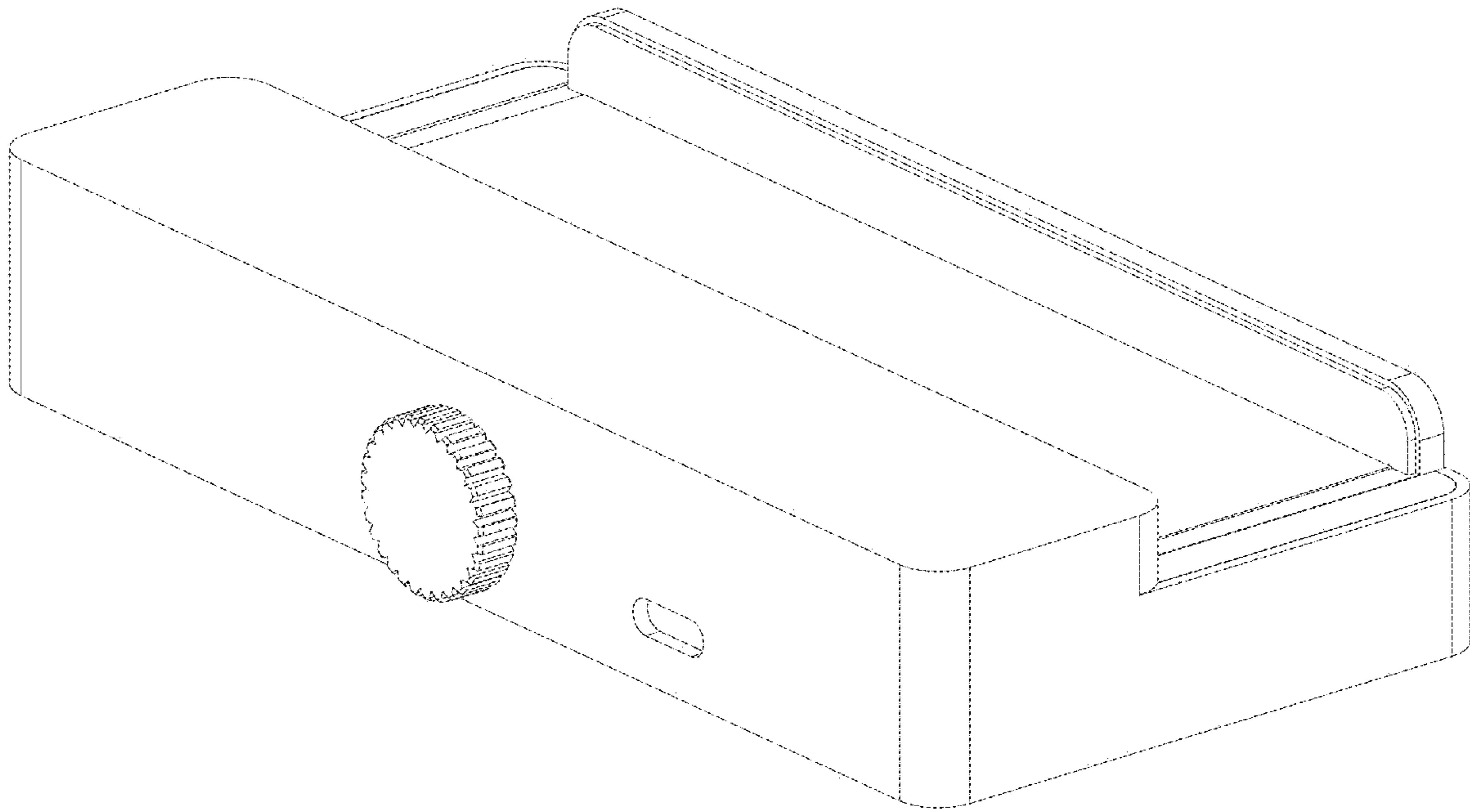


FIG. 1

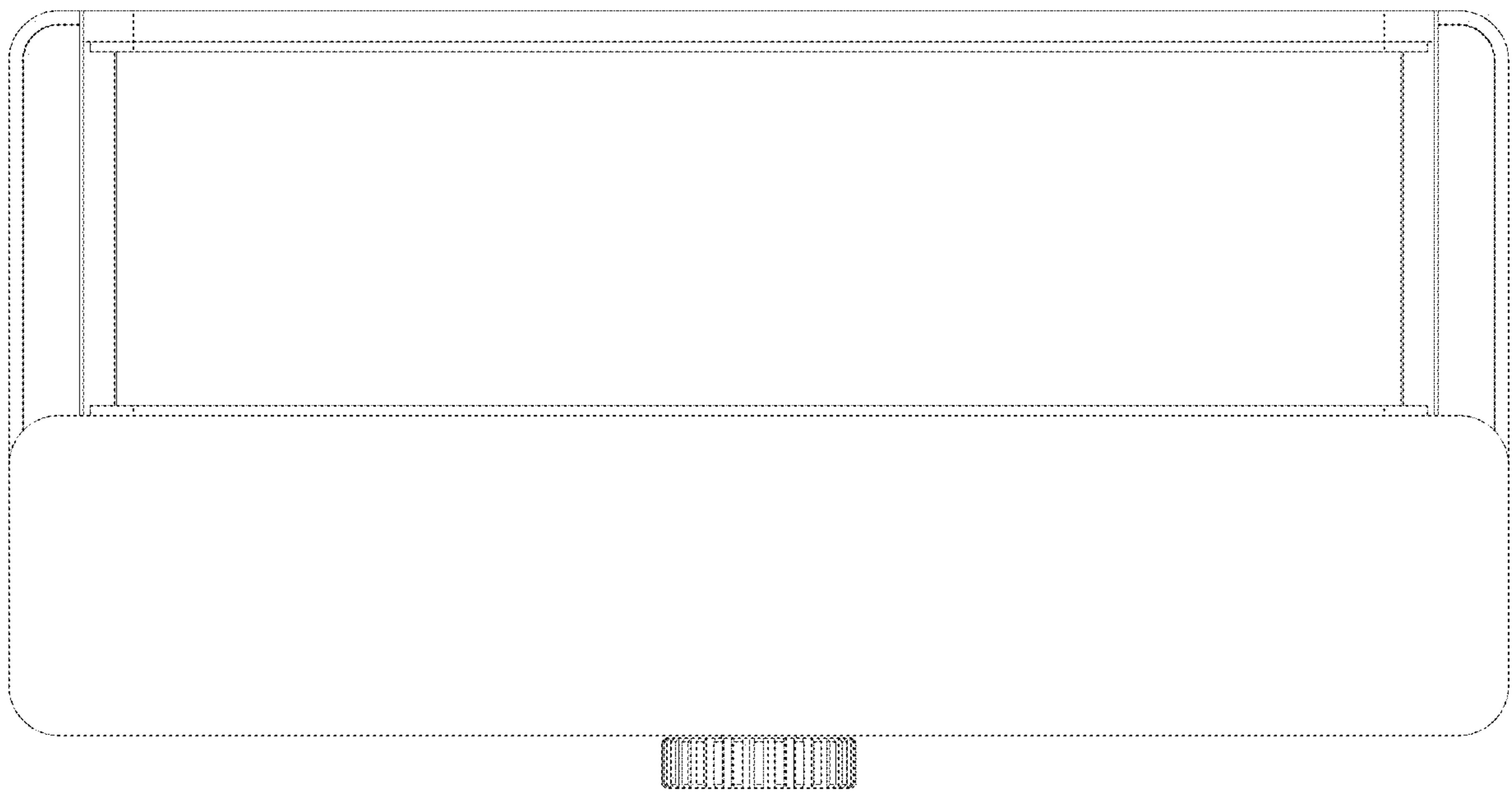


FIG. 2

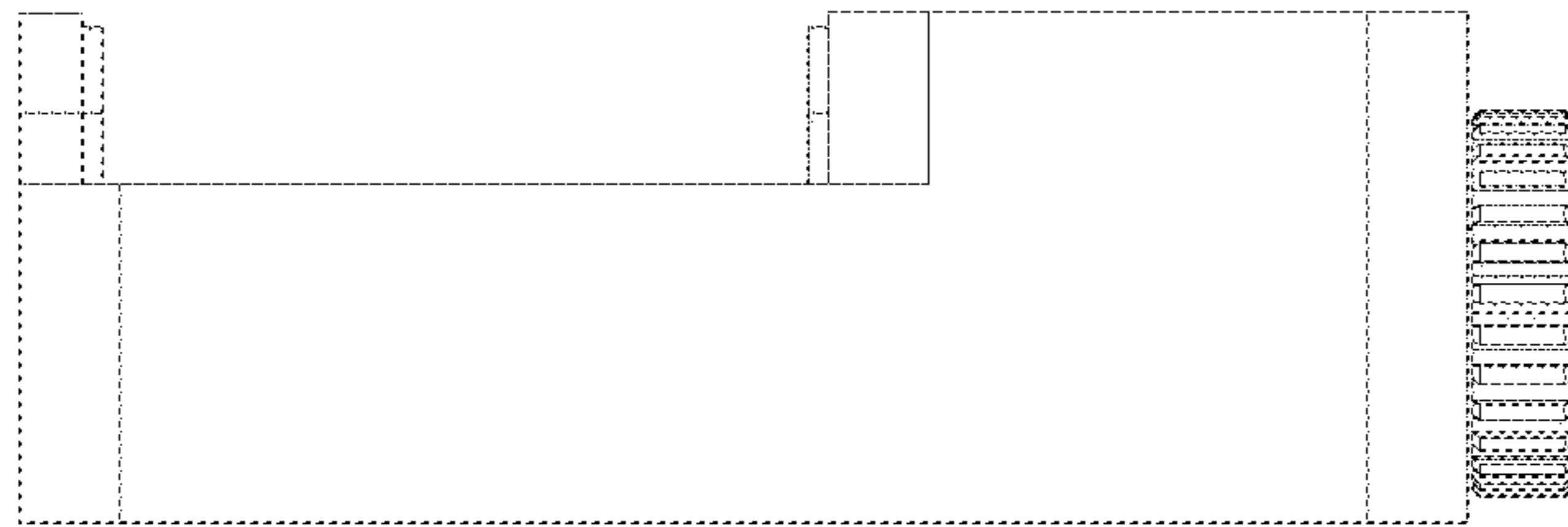


FIG.3

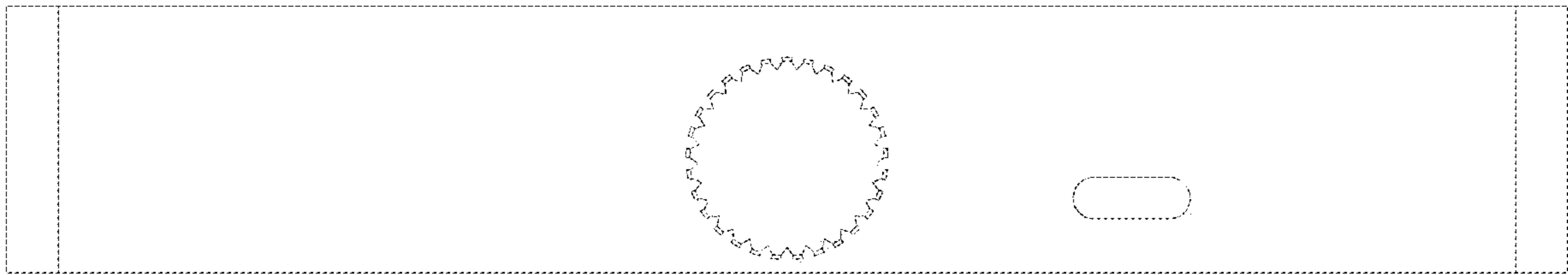


FIG. 4

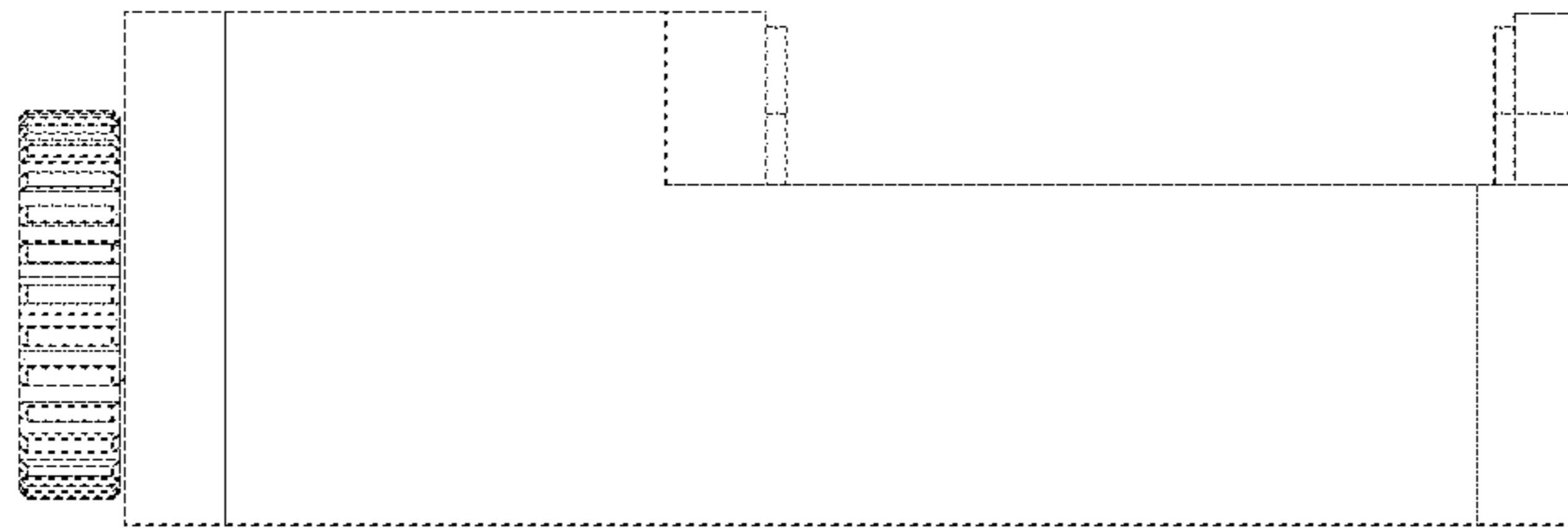


FIG. 5

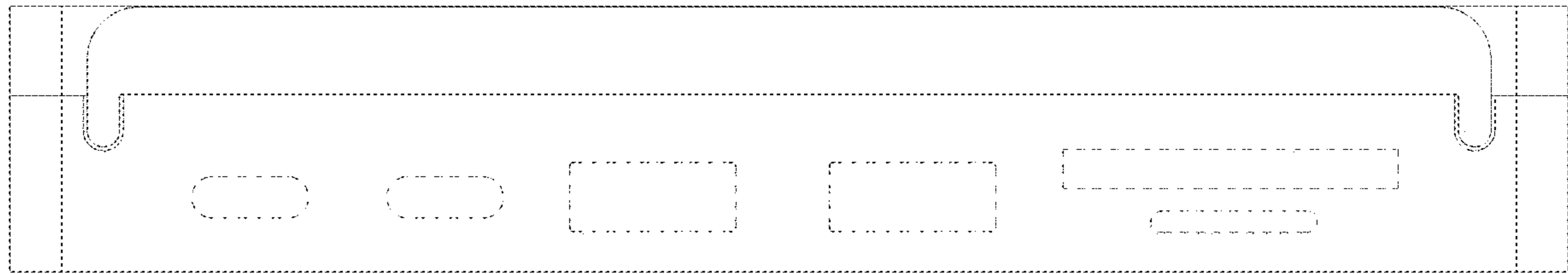


FIG. 6

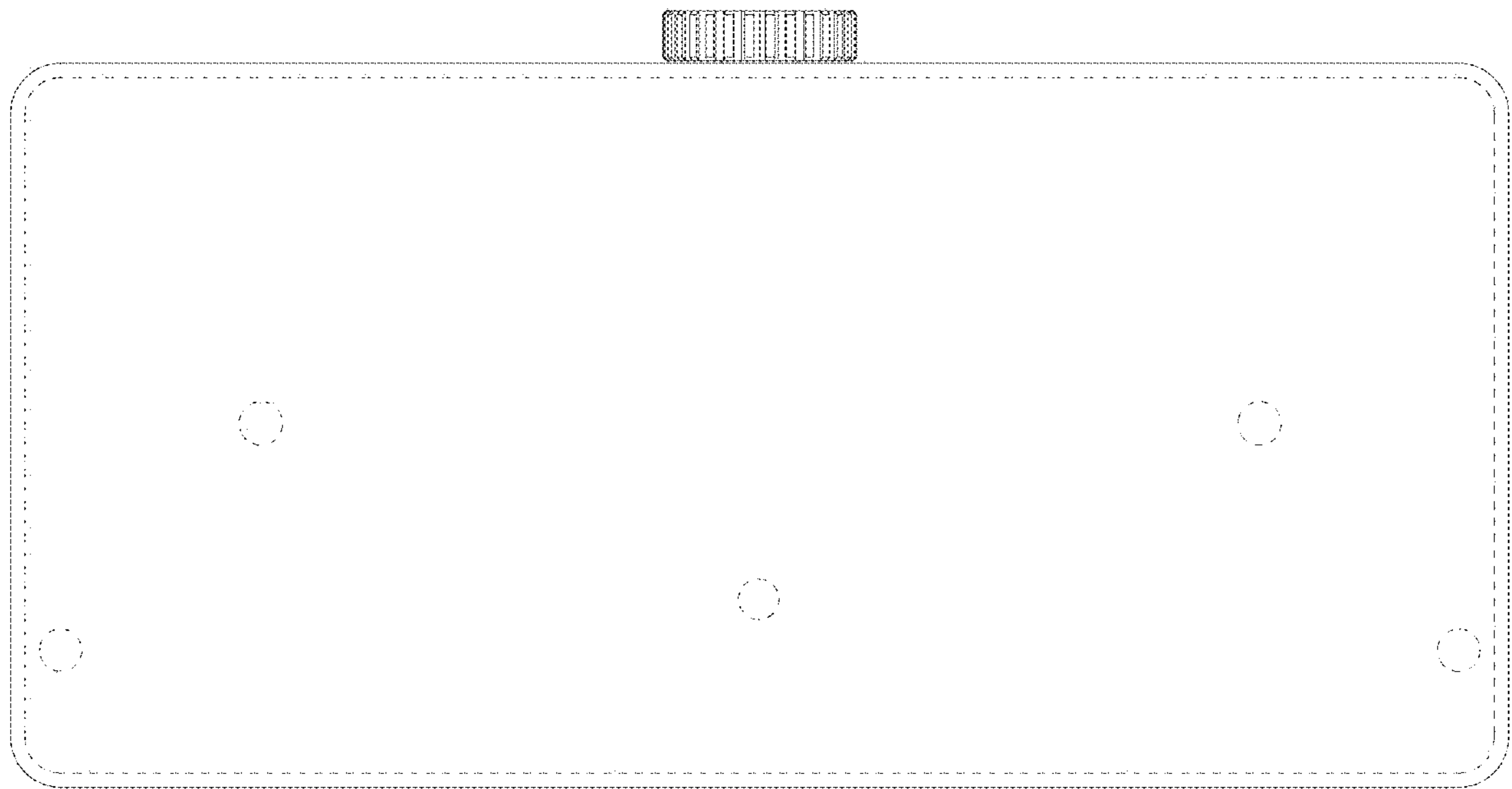


FIG. 7