



US00D971921S

(12) **United States Design Patent**
Lyu

(10) **Patent No.:** **US D971,921 S**

(45) **Date of Patent:** **** Dec. 6, 2022**

(54) **DOCKING STATION**

(71) Applicant: **Shenzhen Heyida Technology Co., Ltd.**, Shenzhen (CN)

(72) Inventor: **Min Lyu**, Shenzhen (CN)

(**) Term: **15 Years**

(21) Appl. No.: **29/806,496**

(22) Filed: **Sep. 3, 2021**

(51) **LOC (13) Cl.** **14-02**

(52) **U.S. Cl.**
USPC **D14/434**

(58) **Field of Classification Search**
USPC D14/240, 242, 356, 357, 358, 378, 383, D14/384, 386, 433, 434, 435.1, 480.1, D14/480.3, 480.4, 480.5, 480.6, 480.7; D13/103, 107, 108, 110, 146, D13/139.6–139.8, 148, 184; D18/12, D18/12.1, 12.3
CPC H01R 27/02; H01R 25/003; H01R 25/006; H01R 31/005; H01R 13/60; H01R 13/6658; H01R 13/72; G06F 1/1607; G06F 1/1632; G06F 1/1684; G06F 1/266; G06F 11/325; G06F 13/00; G06F 13/12; G06F 13/14; G06F 13/20; G06F 13/382; G06F 13/4002; G06F 9/4413
See application file for complete search history.

(56) **References Cited**

U.S. PATENT DOCUMENTS

D206,805 S * 1/1967 Cunitz D13/107
D380,205 S * 6/1997 Bares D14/242

D490,080 S * 5/2004 Alviar D14/433
D784,329 S * 4/2017 Zhou D14/240
D886,827 S * 6/2020 Zhang et al.
D914,023 S * 3/2021 Yang D14/434
D937,836 S * 12/2021 Chin D14/433

FOREIGN PATENT DOCUMENTS

CN 202030765105.2 * 12/2020

* cited by examiner

Primary Examiner — Jae Liang
Assistant Examiner — Holly M Rodriguez

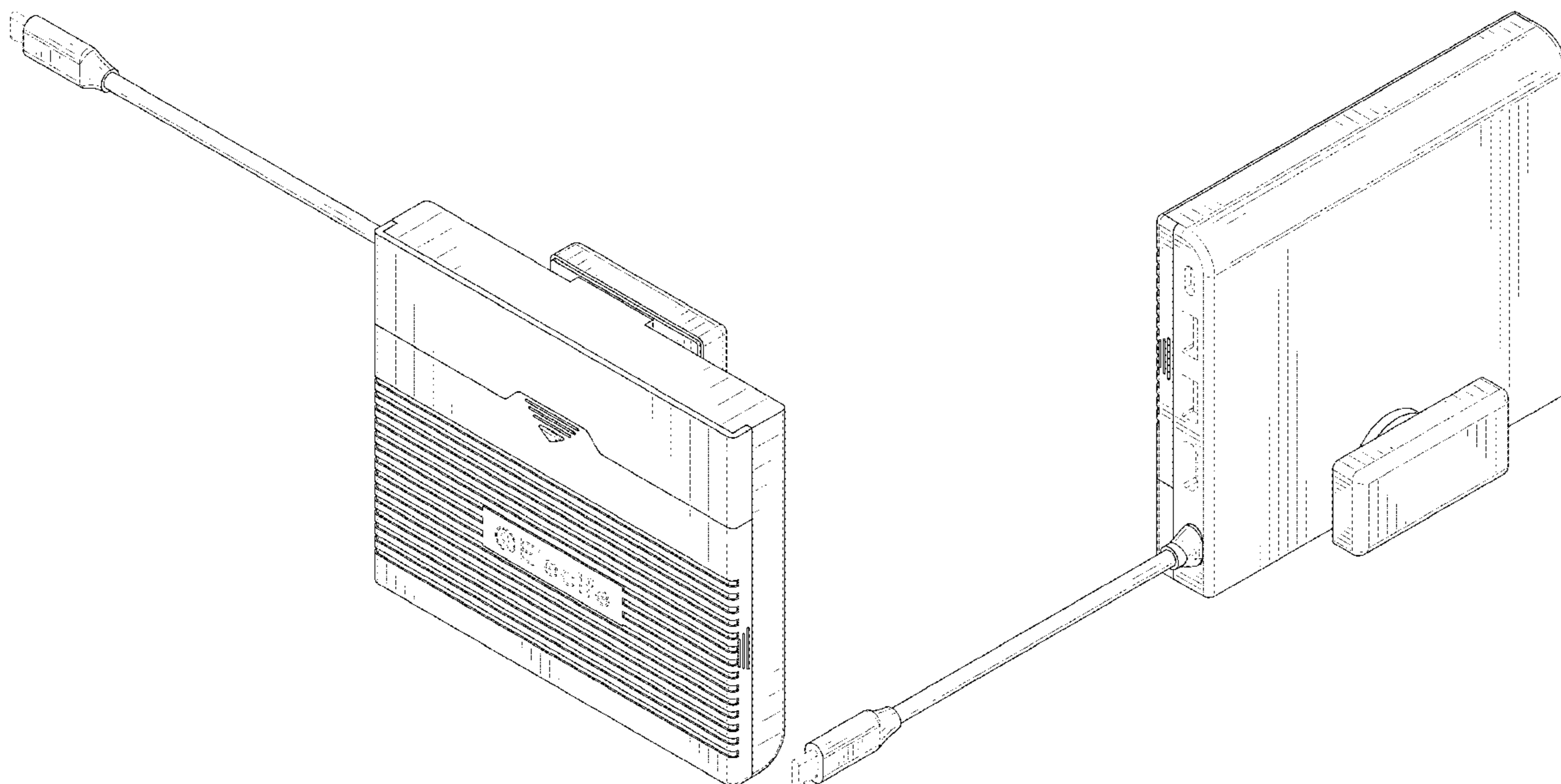
(57) **CLAIM**

The ornamental design for a docking station, as shown and described.

DESCRIPTION

FIG. 1 is a front and top perspective view of a docking station, showing my new design;
FIG. 2 is a rear and bottom perspective view thereof;
FIG. 3 is a front elevation view thereof;
FIG. 4 is a rear elevation view thereof;
FIG. 5 is a left side elevation view thereof;
FIG. 6 is a right side elevation view thereof;
FIG. 7 is a top plan view thereof; and,
FIG. 8 is a bottom plan view thereof.
The broken lines in the figures illustrate portions of the docking station that form no part of the claimed design.

1 Claim, 8 Drawing Sheets



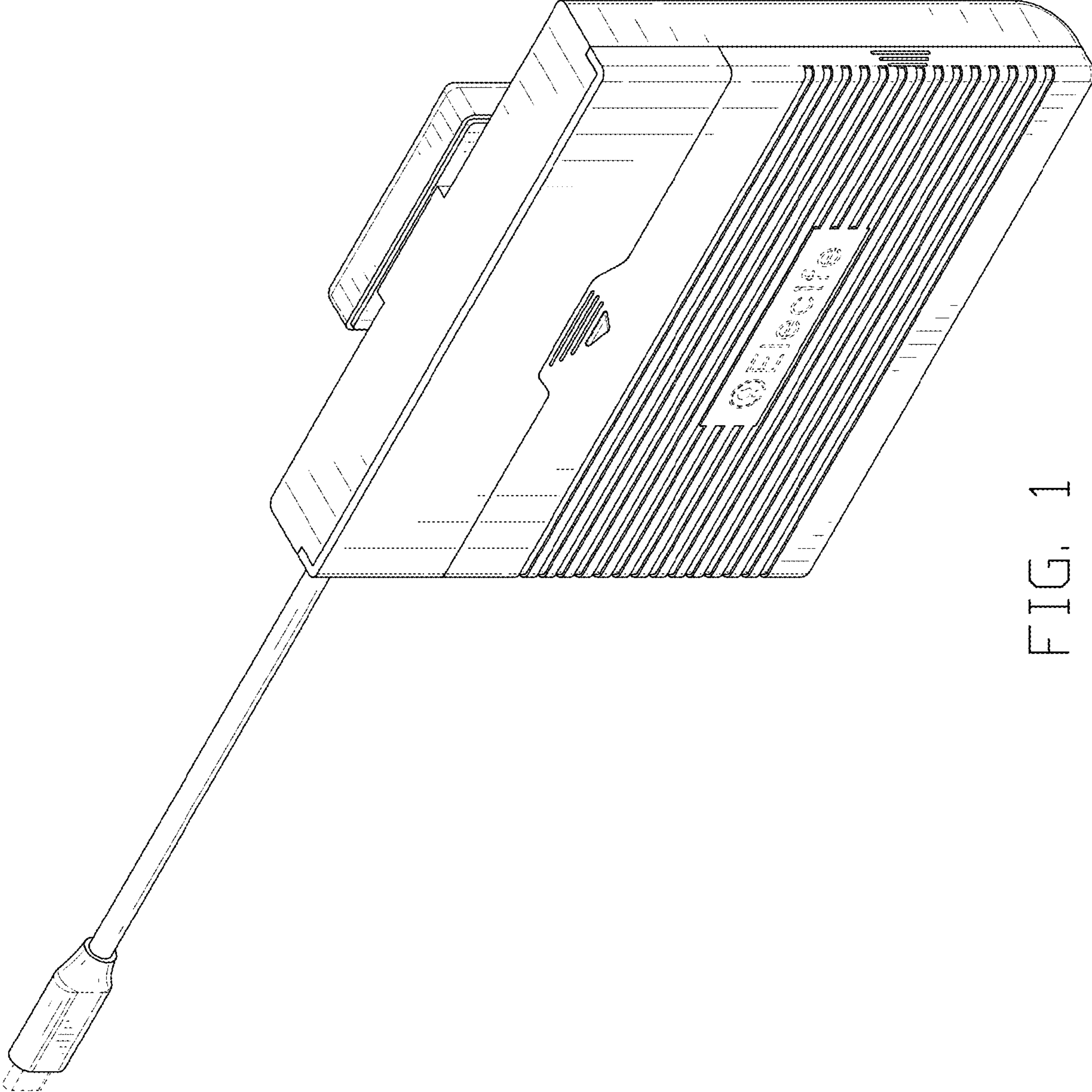


FIG. 1

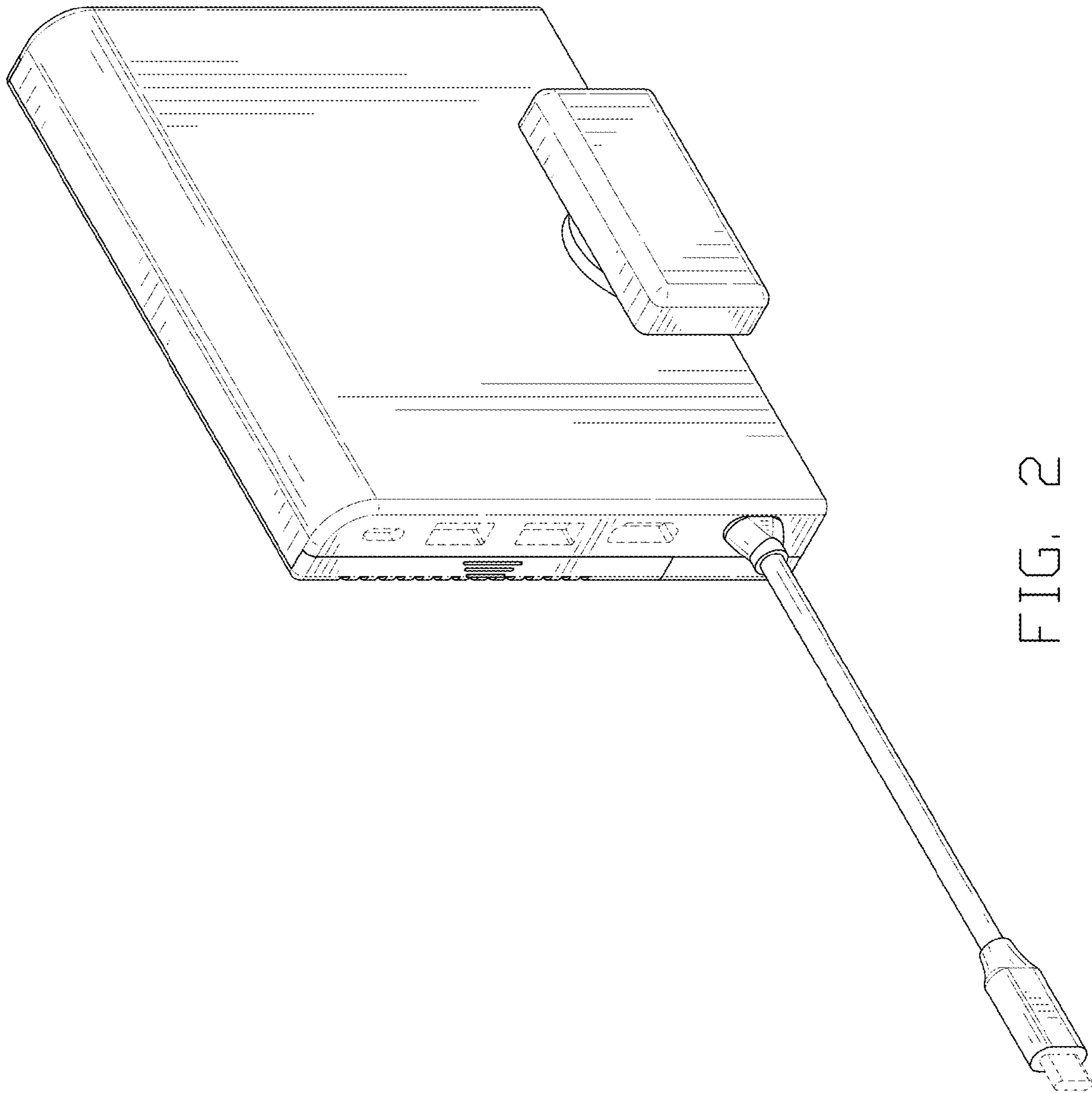


FIG. 2

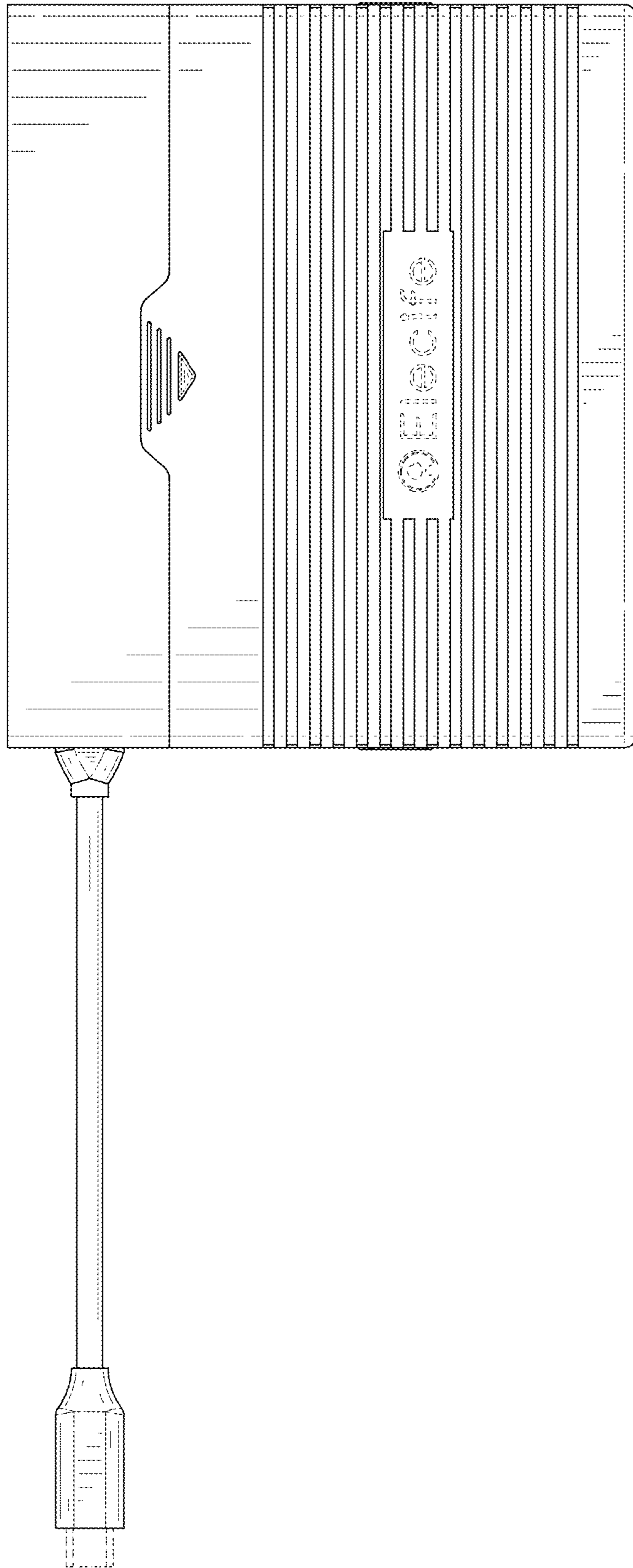


FIG. 3

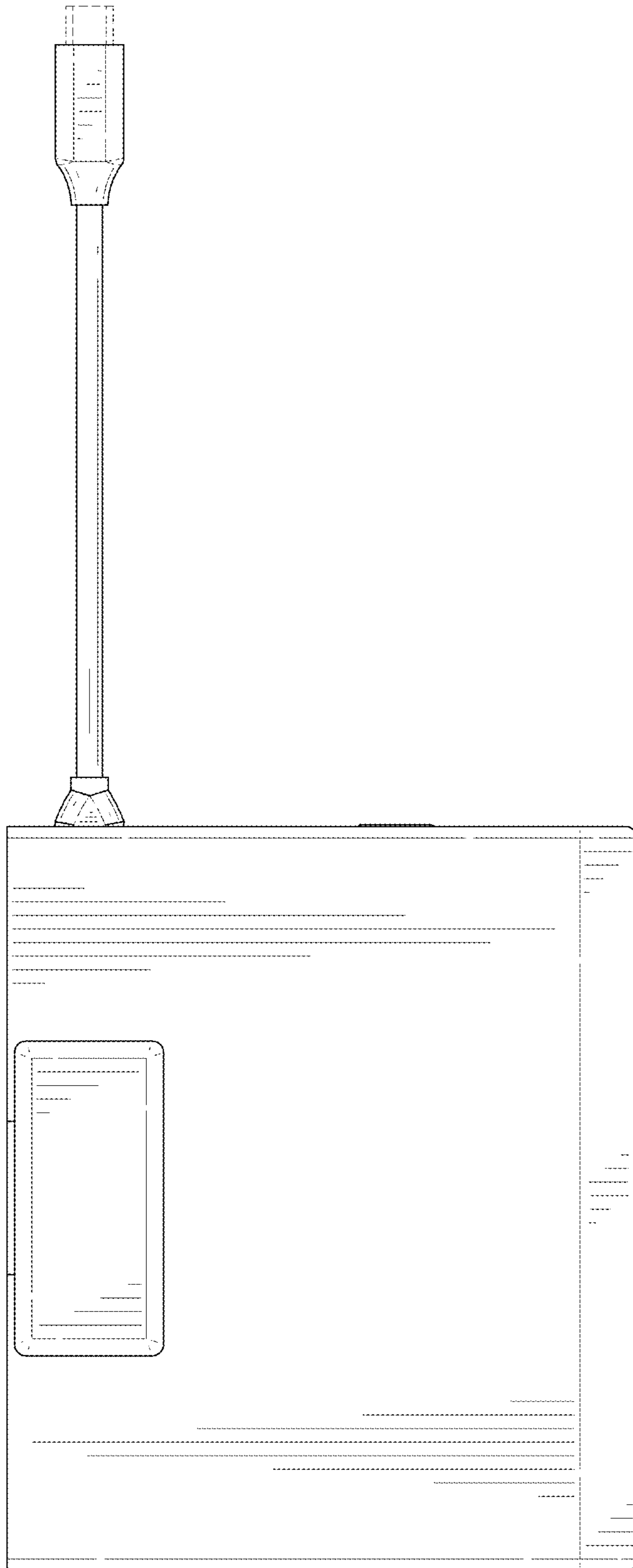


FIG. 4

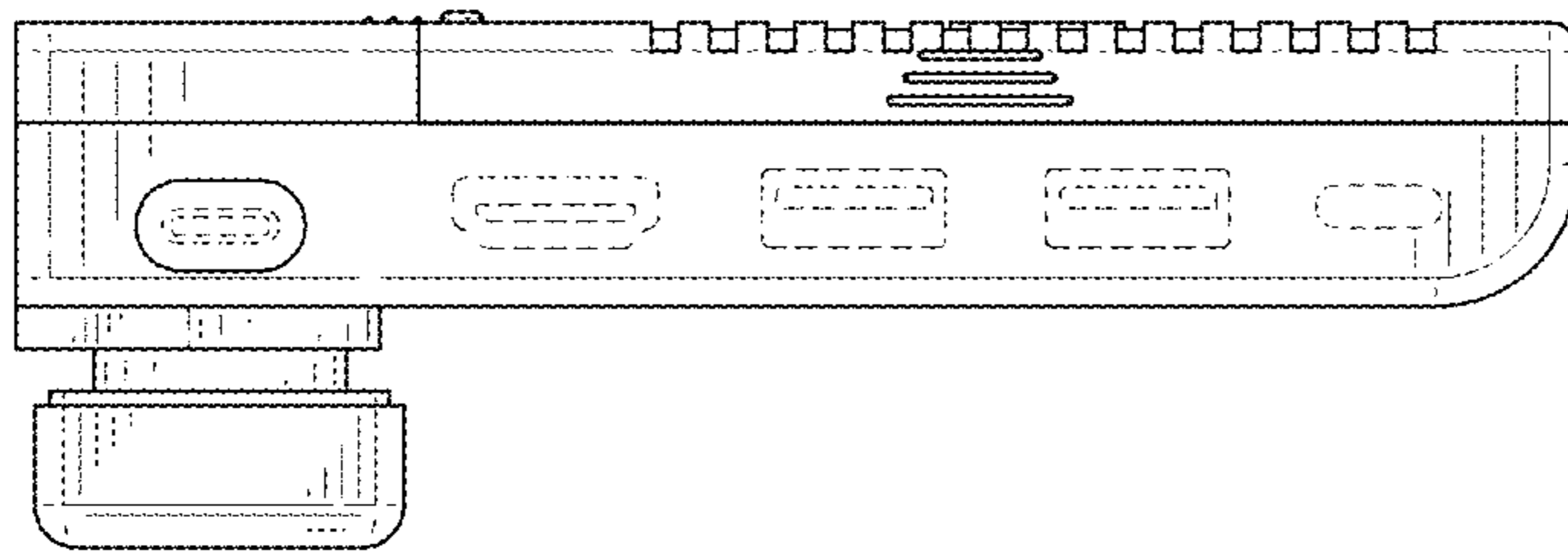


FIG. 5

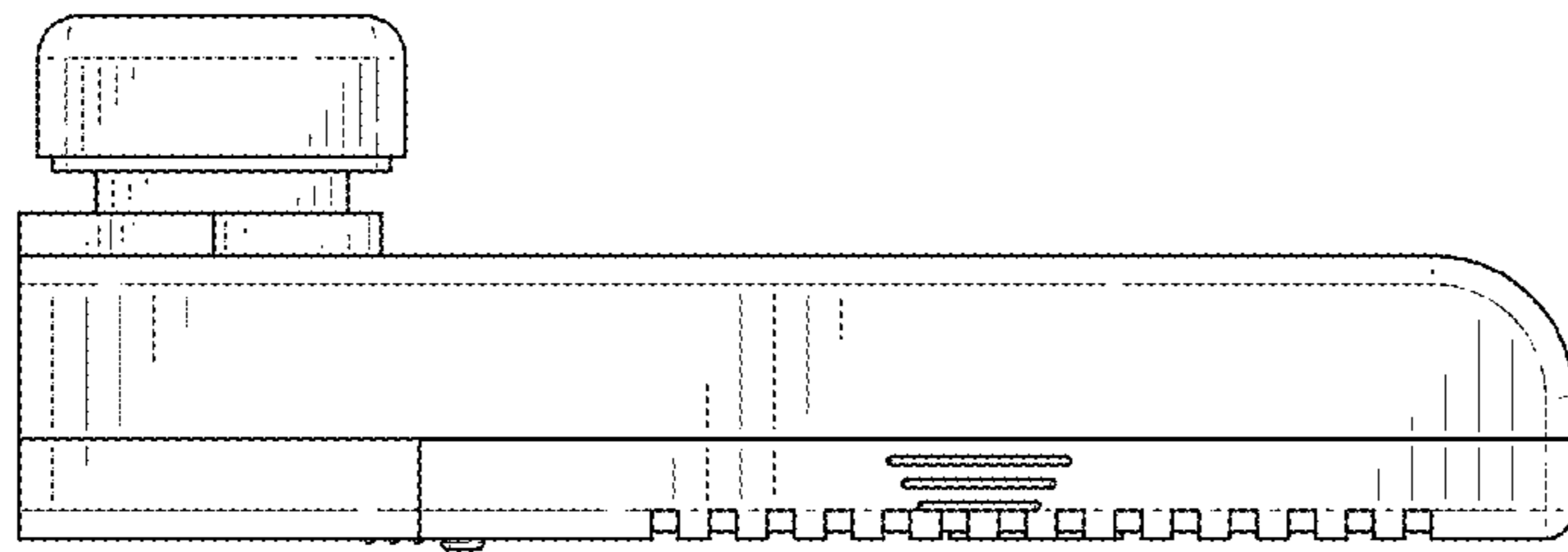


FIG. 6

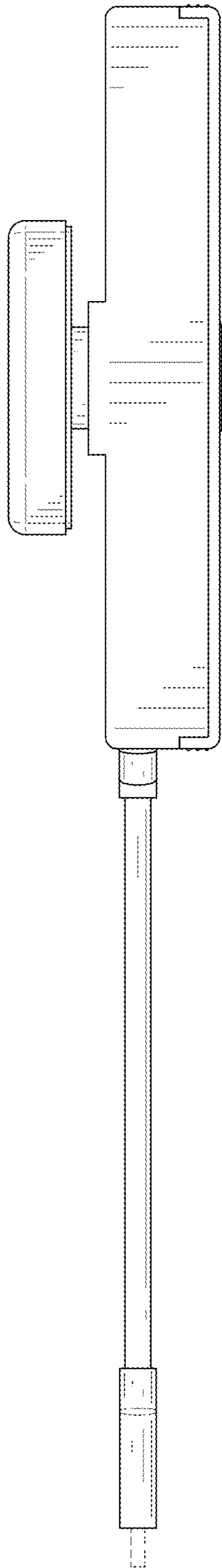


FIG. 7

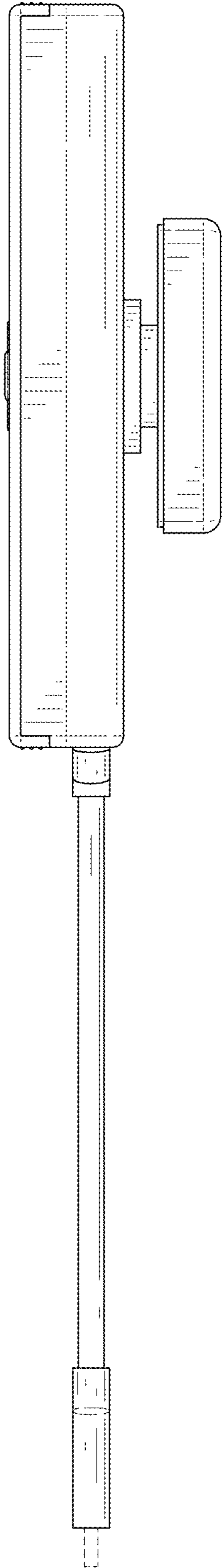


FIG. 8