



US00D971916S

(12) **United States Design Patent** (10) **Patent No.:** **US D971,916 S**
Ren (45) **Date of Patent:** **** Dec. 6, 2022**

(54) **VR HEAD STRAP**
(71) Applicant: **Binbin Ren**, Zaoyang (CN)
(72) Inventor: **Binbin Ren**, Zaoyang (CN)
(**) Term: **15 Years**
(21) Appl. No.: **29/789,533**
(22) Filed: **Sep. 29, 2021**
(51) **LOC (13) Cl.** **14-02**
(52) **U.S. Cl.**
USPC **D14/372**
(58) **Field of Classification Search**
USPC D14/372, 496, 432, 371, 125, 126, 129,
D14/299; D16/300-342; 351/158, 153,
351/144; 345/7-9, 905; 455/344;
348/115, 53, 121, 739
CPC G02B 27/017; G02B 27/0158; G02B
27/0161; G02B 27/0181; G02B 27/0185;
G02B 27/0189
See application file for complete search history.

(56) **References Cited**

U.S. PATENT DOCUMENTS

D761,257 S * 7/2016 Passmore D14/372
D791,128 S * 7/2017 Sullivan D14/372
D809,517 S * 2/2018 Sakata D14/372
D840,396 S 2/2019 Zhou
D856,329 S 8/2019 Wang et al.
D885,383 S * 5/2020 Chang D14/372
D889,464 S * 7/2020 Wang D14/372
D900,098 S 10/2020 Wang et al.
D904,402 S * 12/2020 Marquis D14/372
D916,702 S * 4/2021 Newsom D14/372
D924,234 S * 7/2021 Meng D14/372

D925,530 S * 7/2021 Morris D14/372
D928,151 S * 8/2021 Hu D14/372
D932,488 S * 10/2021 Huang D14/372
D937,262 S * 11/2021 Chi D14/372
D939,017 S * 12/2021 Liang D16/339
D949,858 S * 4/2022 Nishimura D29/103
D956,747 S * 7/2022 Huang D14/372
D957,390 S * 7/2022 Fang D14/372
D957,391 S * 7/2022 Roig D14/372
D957,392 S * 7/2022 Roig D14/372

* cited by examiner

Primary Examiner — Austin Murphy

(74) *Attorney, Agent, or Firm* — Runit R. Kanakia

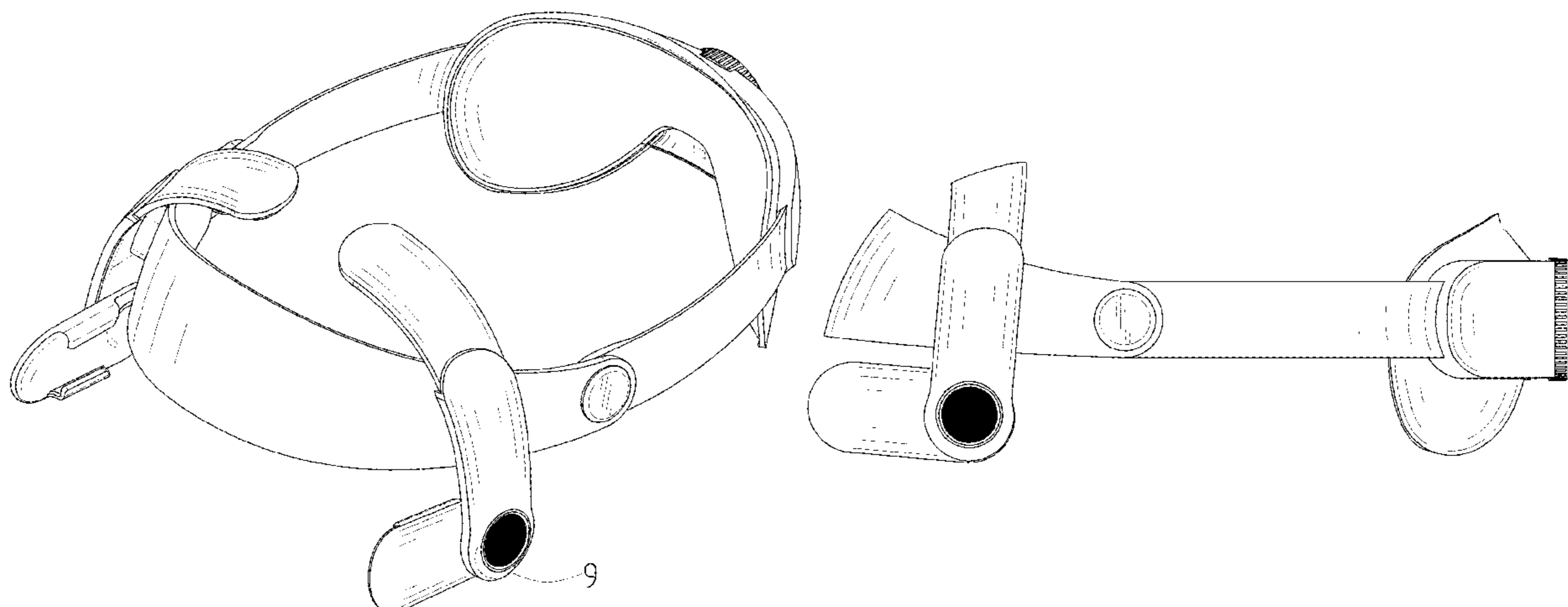
(57) **CLAIM**

The ornamental design for a VR head strap, shown and described.

DESCRIPTION

FIG. 1 is a first perspective view of a VR head strap showing my new design;
FIG. 2 is a second perspective view thereof;
FIG. 3 is a front view thereof;
FIG. 4 is a back view thereof;
FIG. 5 is a left side view thereof;
FIG. 6 is a right side view thereof;
FIG. 7 is a top view thereof;
FIG. 8 is a bottom view thereof;
FIG. 9 is an enlarged view of the selected portion in FIG. 1; and,
FIG. 10 is an enlarged view of the selected portion in FIG. 2.
The broken lines shown in the drawings depict portions of the VR head strap in which the design is embodied that form no part of the claimed design.

1 Claim, 10 Drawing Sheets



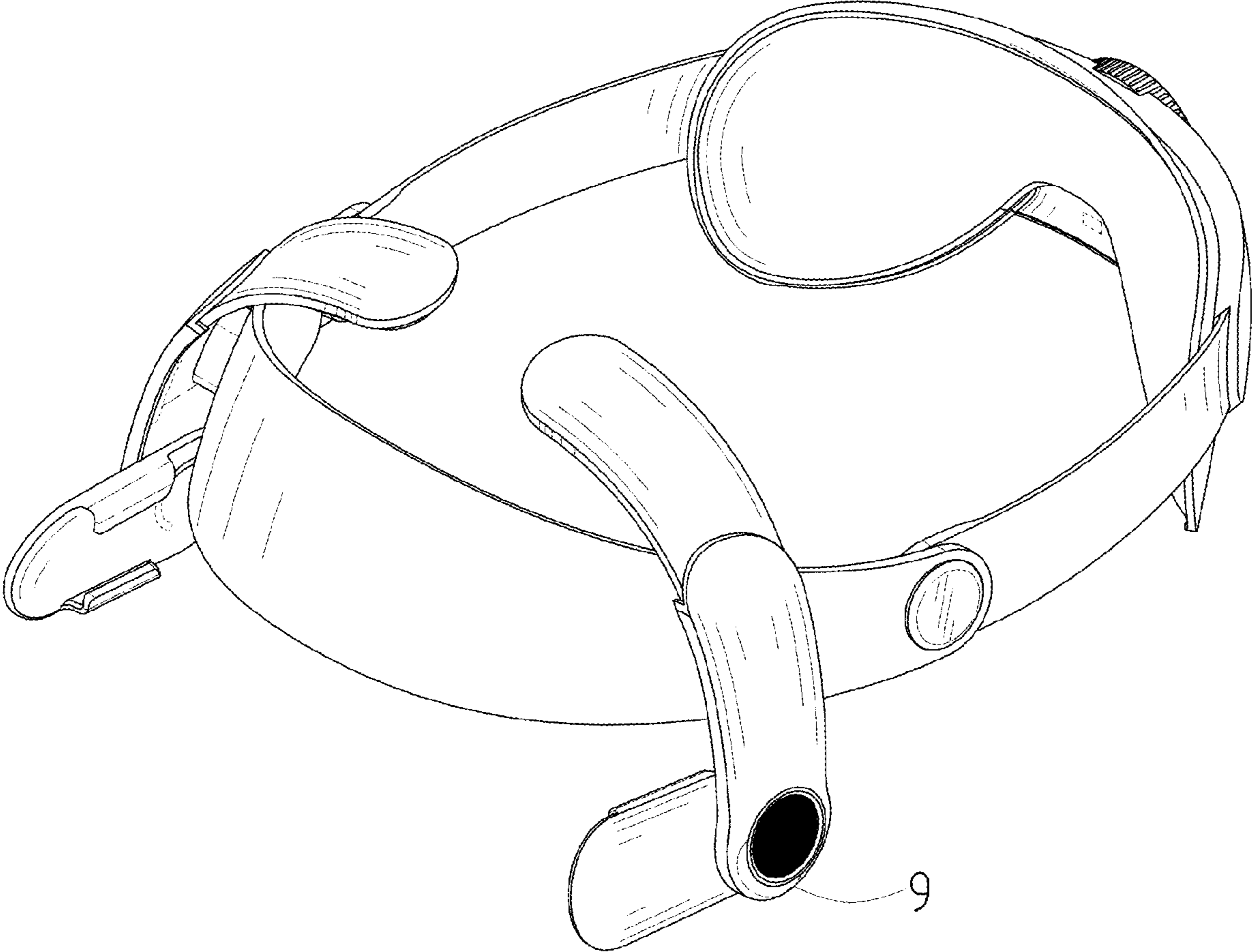


FIG. 1



FIG. 2

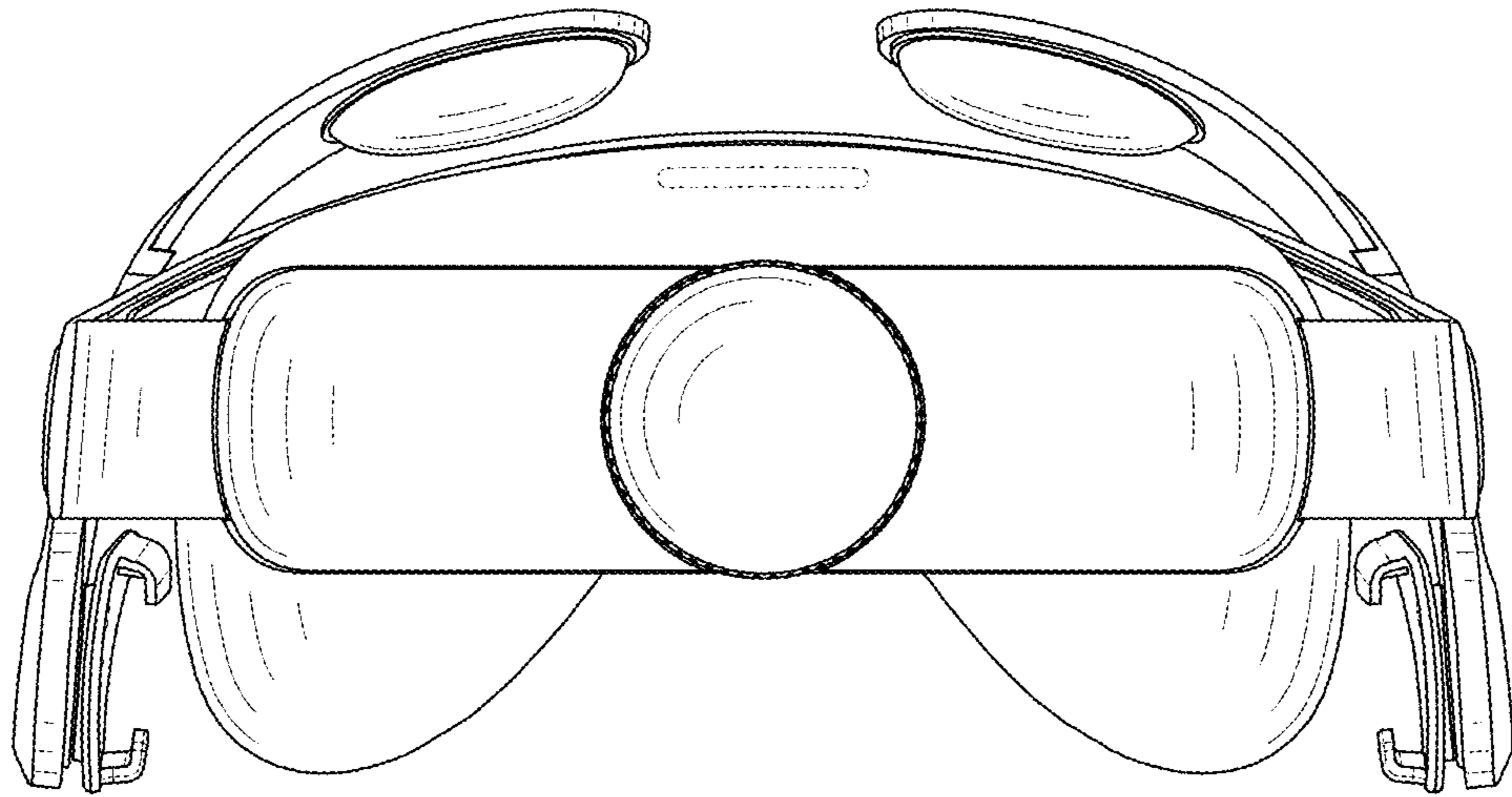


FIG. 3

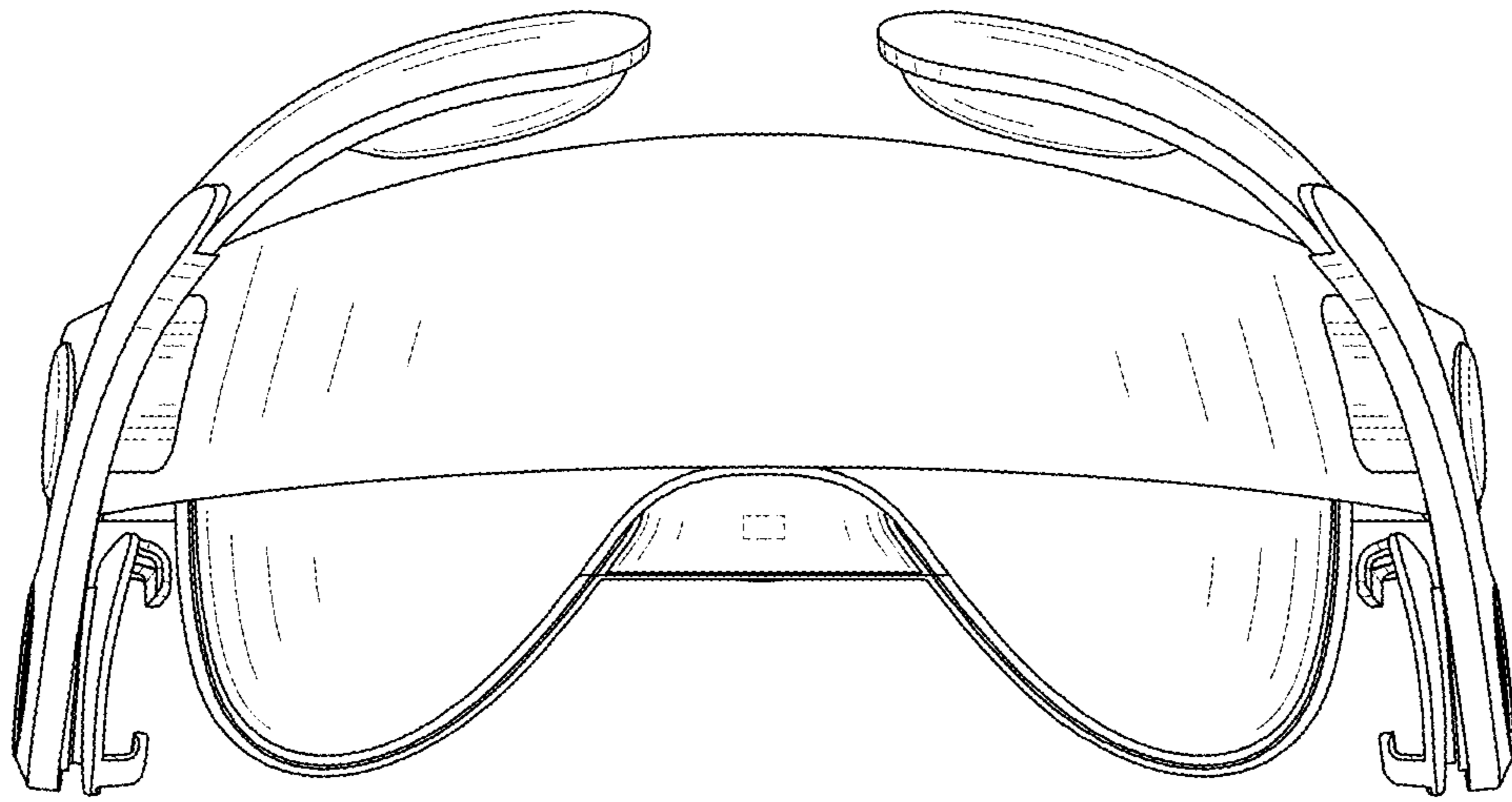


FIG. 4

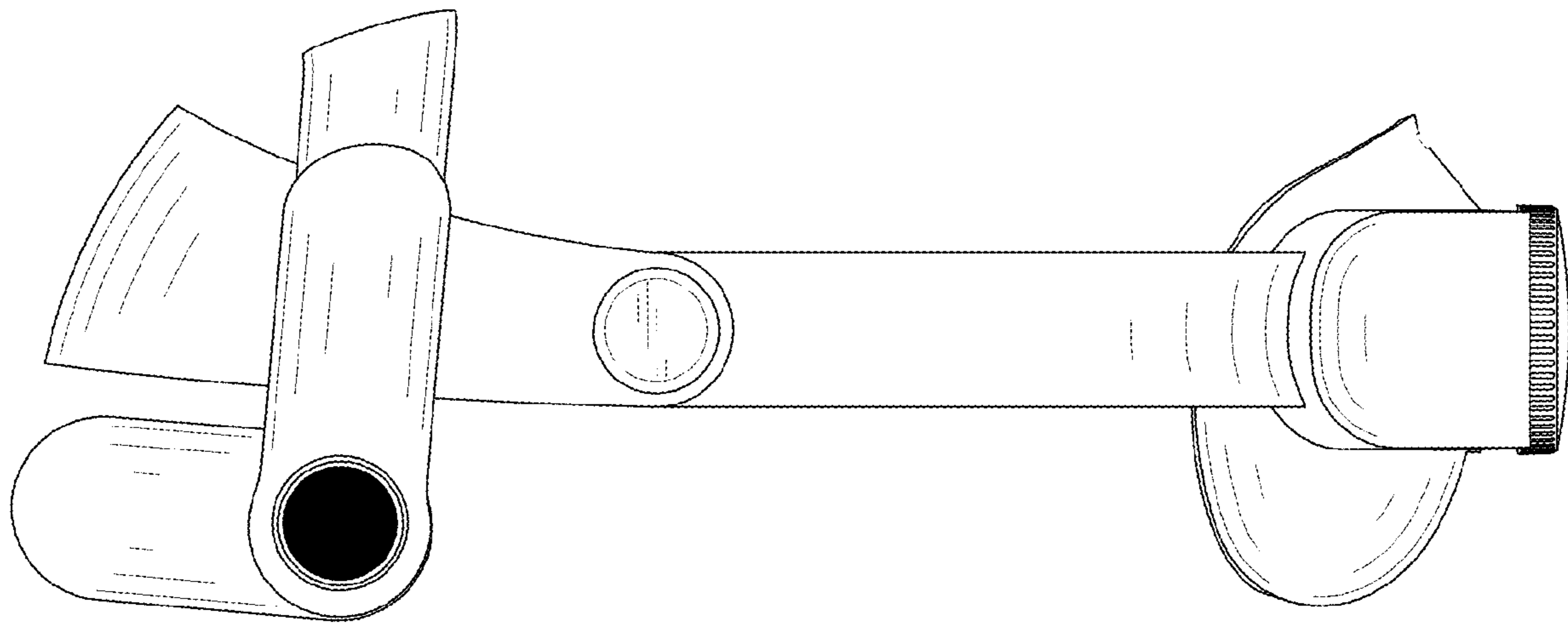


FIG. 5

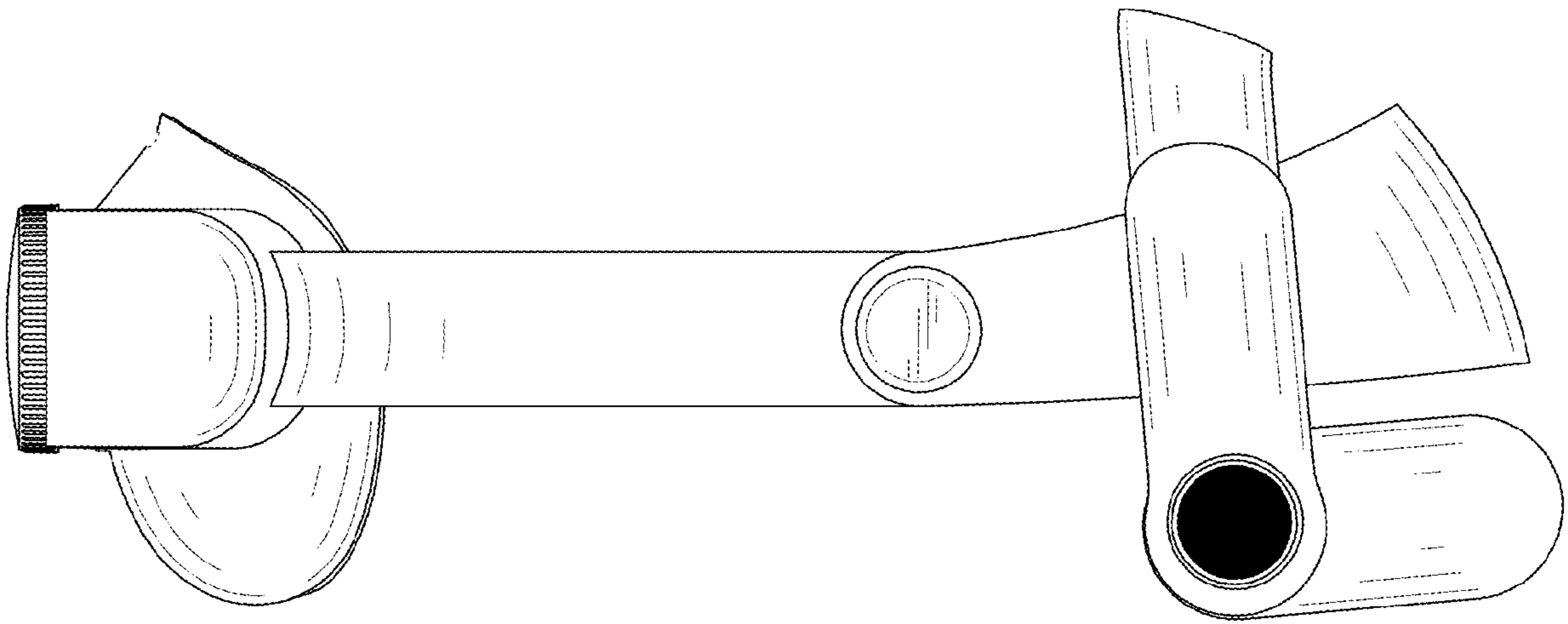


FIG. 6

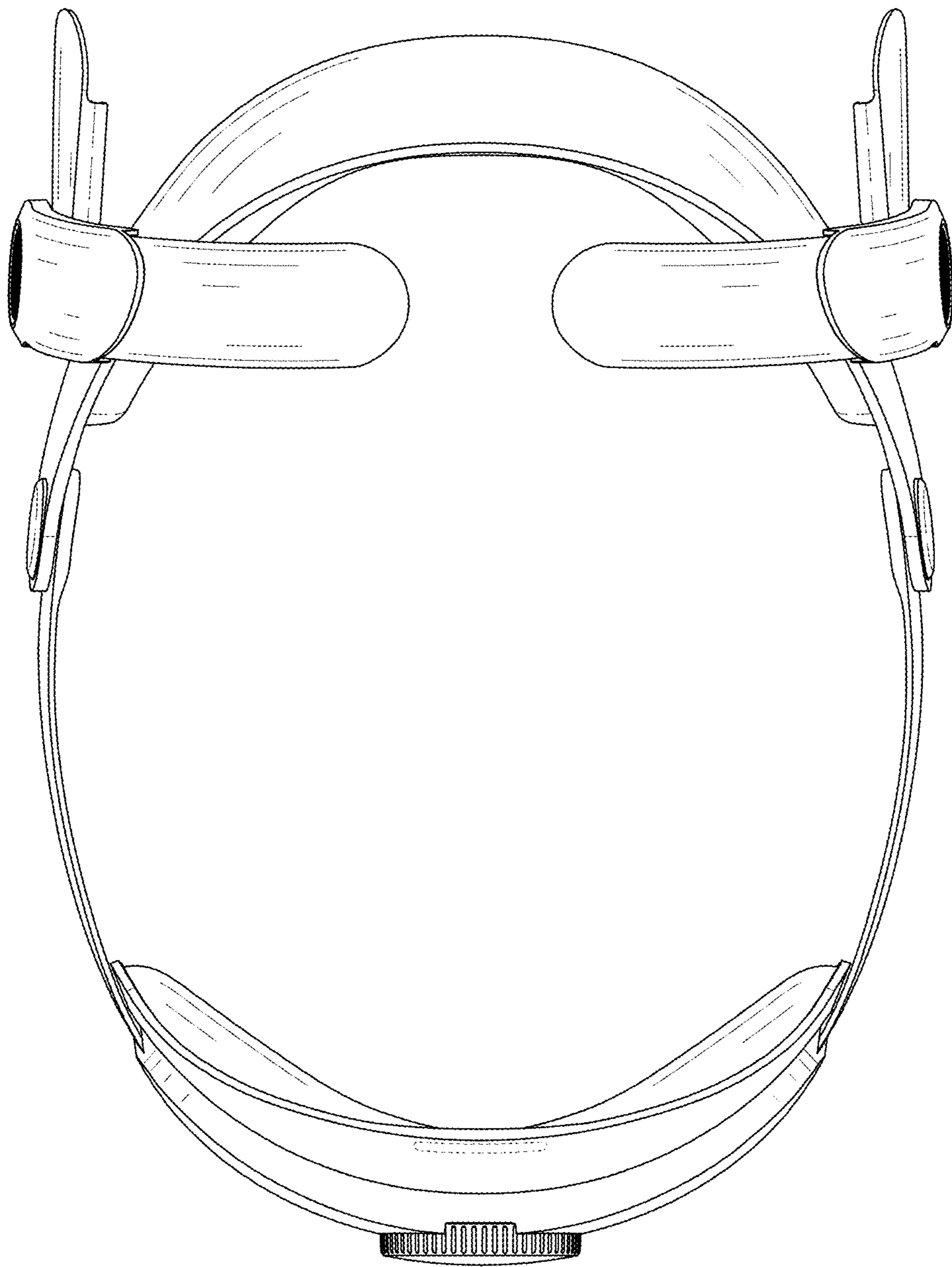


FIG. 7

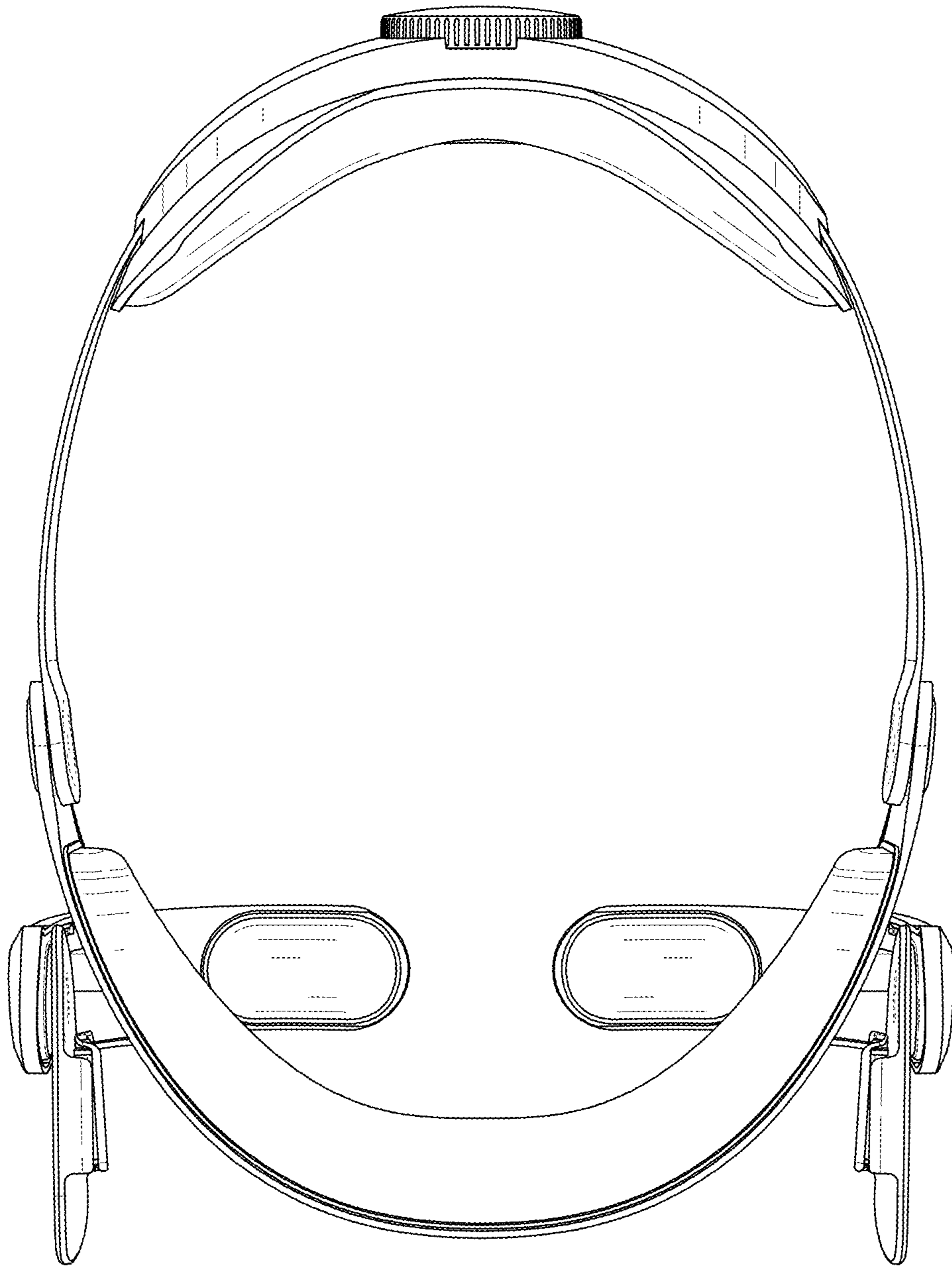


FIG. 8

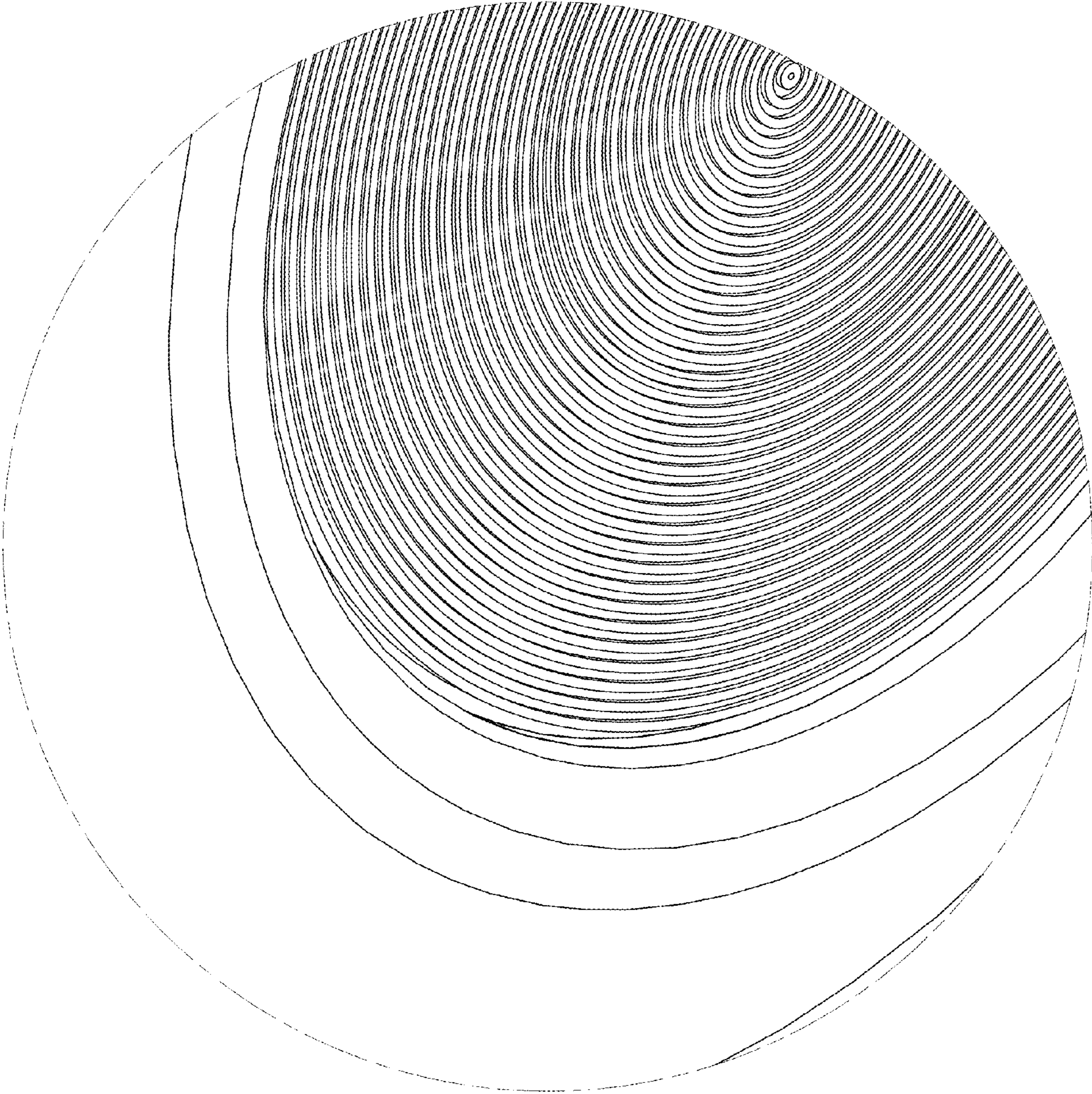


FIG. 9

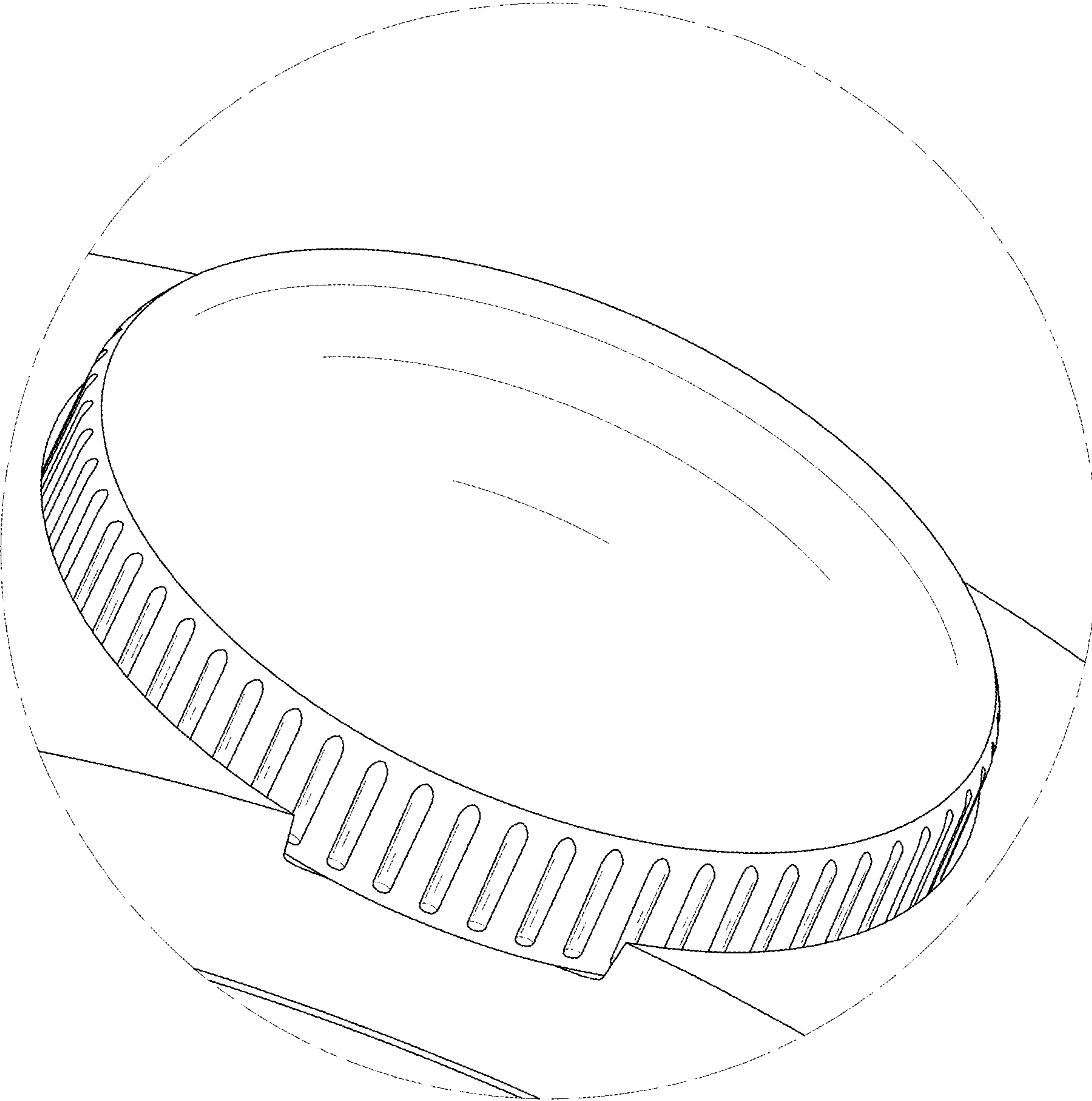


FIG. 10