



US00D971915S

(12) **United States Design Patent**
Cho et al.

(10) **Patent No.:** **US D971,915 S**
(45) **Date of Patent:** **** Dec. 6, 2022**

(54) **AUDIO DEVICE WITH DISPLAY**

2013/1872; G09F 2013/1877; G09F
2013/1881

See application file for complete search history.

(71) Applicant: **Samsung Electronics Co., Ltd.**,
Suwon-si (KR)

(56) **References Cited**

(72) Inventors: **Chulyong Cho**, Suwon-si (KR);
Byungmin Woo, Suwon-si (KR);
Jaeneung Lee, Suwon-si (KR); **Taehun**
Kim, Suwon-si (KR)

U.S. PATENT DOCUMENTS

(73) Assignee: **Samsung Electronics Co., Ltd.**,
Suwon-si (KR)

3,030,057	A *	4/1962	Wright	A47G 1/162
				40/749
D270,066	S *	8/1983	Ackeret	40/513
D302,767	S *	8/1989	Morrozzi	D6/310
D405,473	S *	2/1999	Tikhonski	D20/42
D438,020	S *	2/2001	Carlson	D6/302
D463,785	S *	10/2002	Lee	D14/214
D483,037	S *	12/2003	Whitehorn	D14/375
D531,822	S *	11/2006	Massaud	D6/310
D537,069	S *	2/2007	Ishibashi	D14/211
D635,942	S *	4/2011	Kim	D14/126
D669,694	S *	10/2012	Yoo	D6/332
D670,269	S *	11/2012	Allen	D14/214
D675,031	S *	1/2013	Presgraves	D6/300
D680,087	S *	4/2013	Fujii	D14/126
8,567,102	B2 *	10/2013	Topcuoglu	G09F 15/0087
				40/608
D708,459	S *	7/2014	Heirakuji	D6/675
D712,367	S *	9/2014	Park	D14/126
D714,389	S *	9/2014	Lee	D20/42
D715,260	S *	10/2014	Kim	D14/213
D726,136	S *	4/2015	Cho	D14/126
D727,995	S *	4/2015	Vilcovsky	
D739,464	S *	9/2015	Liu	D14/374
9,175,801	B2 *	11/2015	Adilman	B60B 33/00
D750,091	S *	2/2016	Park	D14/451
D750,604	S *	3/2016	Kim	D14/239
D753,754	S *	4/2016	Vilcovsky et al.	
D754,979	S *	5/2016	Starck	D6/300
D769,837	S *	10/2016	Kim	D14/126
D776,666	S *	1/2017	Karlsson	D14/439
D779,498	S *	2/2017	Moon	D14/448
D781,291	S *	3/2017	Hu	D14/374
D789,313	S *	6/2017	Jacobi	D14/126
D806,665	S *	1/2018	Lee	D14/126
D807,648	S *	1/2018	Gilad	D6/300
D807,652	S *	1/2018	Kawamoto	D6/332
D812,027	S *	3/2018	Debaigue	D14/126
D825,234	S *	8/2018	He	D6/675.4
D833,427	S *	11/2018	Hansen	D14/307
D853,364	S *	7/2019	Ann	D14/239
D858,634	S *	9/2019	Boner	D6/332
D859,013	S *	9/2019	Yamamoto	D6/332
D864,296	S *	10/2019	Park	D19/113
D871,783	S *	1/2020	Yamamoto	D6/332

(**) Term: **15 Years**

(21) Appl. No.: **29/693,761**

(22) Filed: **Jun. 5, 2019**

(30) **Foreign Application Priority Data**

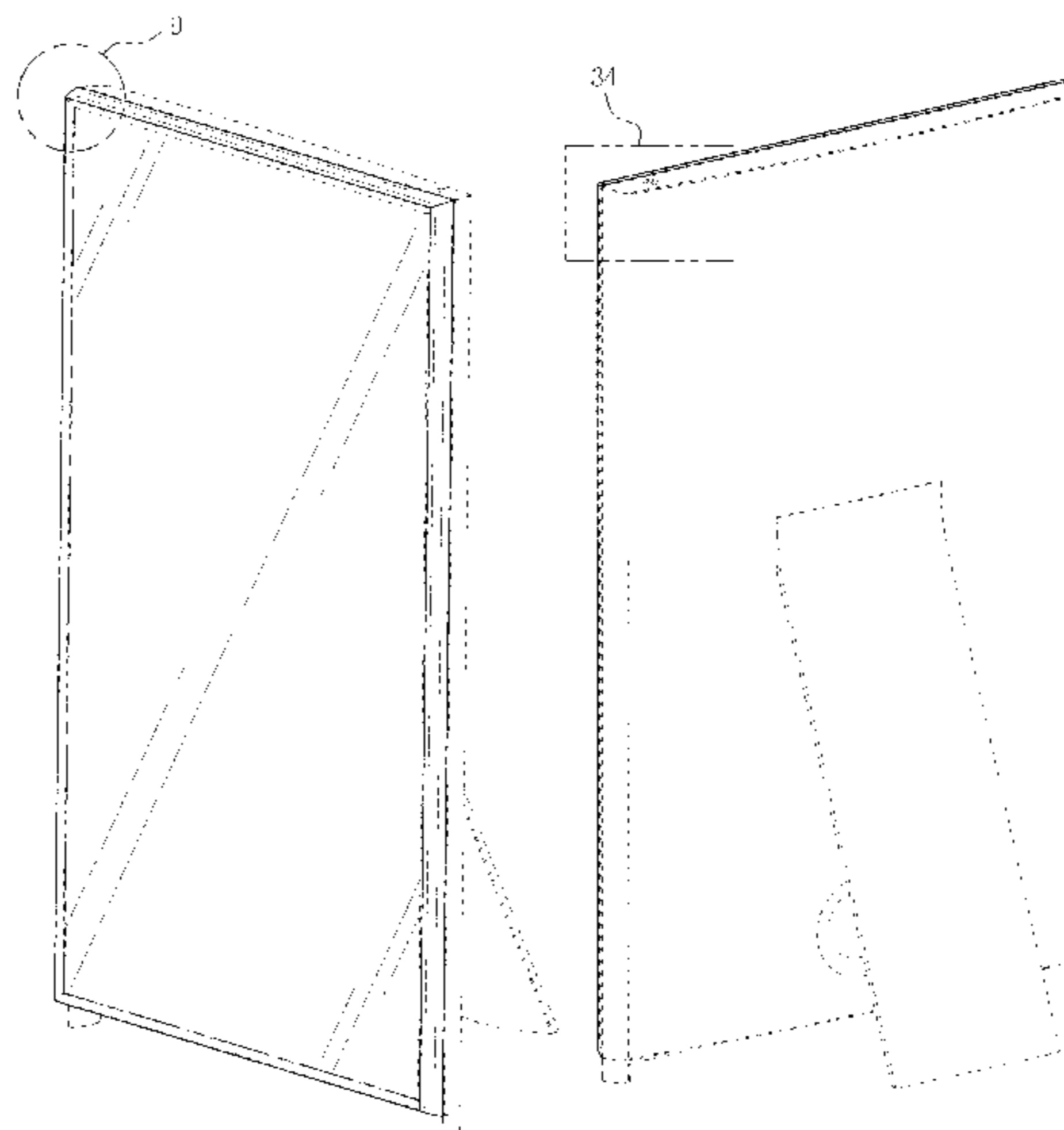
Jan. 2, 2019 (KR) 30-2019-0000107

(51) **LOC (13) Cl.** **14-02**

(52) **U.S. Cl.**
USPC **D14/371**

(58) **Field of Classification Search**

USPC D14/300, 305-307, 336, 371, 373-376,
D14/448-451, 496, 900-902, 204, 209.1,
D14/210-211, 214, 447, 126, 203.1,
D14/238.1, 239, 203.7-203.8;
D20/40-41, 44; D6/300, 312, 308, 708,
D6/708.22, 301-302, 310-311, 313-314,
D6/321, 324-325, 327-328, 332;
D16/221; D19/113-114; D26/72
CPC .. H05K 5/0043; H05K 5/0269; H05K 5/0234;
G09F 13/0413; G09F 13/18; G09F



D884,366	S	*	5/2020	Gao	D6/308
D885,382	S	*	5/2020	Kim	D14/371
D887,724	S	*	6/2020	Yu	D6/308
D894,163	S	*	8/2020	Kim	D14/248
D901,191	S	*	11/2020	Chu	D6/308
D908,650	S	*	1/2021	Cho	D14/126
D908,651	S	*	1/2021	Cho	D14/126
D915,634	S	*	4/2021	Patterson	D25/138
D917,079	S	*	4/2021	Patterson	D25/138
D919,586	S	*	5/2021	Lim	B64D 11/00154
						D14/126
D924,187	S	*	7/2021	Park	D14/126
D924,188	S	*	7/2021	Park	D14/126
D925,484	S	*	7/2021	Easton	D14/126
D926,149	S	*	7/2021	Park	D14/126
D927,204	S	*	8/2021	Stanislawski	D6/302
D929,355	S	*	8/2021	Diao	D14/126
D931,841	S	*	9/2021	Cho	D14/239
D938,519	S	*	12/2021	Hong	D19/113
D940,470	S	*	1/2022	Svihilik	D6/300
D940,471	S	*	1/2022	Svihilik	D6/300
D941,040	S	*	1/2022	Fumiya	D6/310
D941,042	S	*	1/2022	Fumiya	D6/310
D945,641	S	*	3/2022	Gold	D6/708
D951,249	S	*	5/2022	Cho	D14/371
D953,754	S	*	6/2022	Asikainen	D14/126
2016/0312952	A1	*	10/2016	Kalis	H05K 7/16
2018/0314001	A1	*	11/2018	Veenstra	A47F 3/001
2019/0317549	A1	*	10/2019	Gurr	F16M 11/105
2020/0208772	A1	*	7/2020	Woo	H05K 5/0234
2020/0301469	A1	*	9/2020	Choi	G06F 3/147
2021/0120635	A1	*	4/2021	Hall	H05B 3/746
2021/0132795	A1	*	5/2021	Kurbanova	G06F 3/04886

FOREIGN PATENT DOCUMENTS

JP	D1582849	8/2017
KR	301022967.0000	* 9/2019
KR	301022968.0000	* 9/2019
KR	301029297.0000	* 10/2019
WO	DM/095 243	1/2017

OTHER PUBLICATIONS

Polished Edge Mirror with Thin Wood Float Frame, AGallery, agalleryonline.com, author and date unlisted © unlisted, online, site visited May 3, 2021. Available at URL: <https://www.agalleryonline.com/custom-picture-framing> (Year: 2021).*

Digital Canvas, Meural, liisten.com, author unlisted, published on Mar. 1, 2018 © SVBTLE, online, site visited May 7, 2021. Available at URL: <https://liisten.com/meural-review-forget-what-you-knew-about-digital-frames> (Year: 2018).*

Digital Canvas, Meural, amazon.com, published by Meural on Nov. 8, 2017 © 1996-2021 Amazon.com, Inc., online, site visited May 7, 2021. Available at URL: <https://www.amazon.com/Meural-Canvas-Digital-Leonora-Display/dp/B077943834> (Year: 2017).*

55 Inch LCD Portable Digital Signage, Carry Display, carrylcd.com, author and date unlisted © Shenzhen Carry Display Technology Co., Ltd., online, site visited Aug. 15, 2022. Available at URL: <https://www.carrylcd.com/products/lcd-poster-display-signage/> (Year: 2022).*

Gold Full Length Standing Mirror, Hangzhou Jinghu Glass Co., Ltd., jhglass.en.made-in-china.com, author and date unlisted © 1998-2022 Focus Technology Co., Ltd., online, site visited Aug. 15, 2022. Available at URL: <https://jhglass.en.made-in-china.com/product/qOTEdAeDh1km/China-Gold-Full-Length-Dressing-Mirror-Standing-Mirror-Floor-Mirror-Full-Body-Mirror-with-Wide-Beveled-Frame-U-Shape-Bracket.html> (Year: 2022).*

* cited by examiner

Primary Examiner — Holly E Thurman
Assistant Examiner — Altaira J Swangin

(74) Attorney, Agent, or Firm — NSIP Law

(57) CLAIM

We claim the ornamental design for an audio device with display, as shown and described.

DESCRIPTION

FIG. 1 is a front perspective view of an audio device with display showing our new design;
FIG. 2 is a front view thereof;
FIG. 3 is a rear view thereof;
FIG. 4 is a left-side view thereof;
FIG. 5 is a right-side view thereof;
FIG. 6 is a top view thereof;
FIG. 7 is a bottom view thereof;
FIG. 8 is a rear perspective view thereof;
FIG. 9 is an enlarged view of the encircled portion 9 in FIG. 1;
FIG. 10 is an enlarged view of the encircled portion 10 in FIG. 2;
FIG. 11 is right-side view thereof in a tilted configuration;
FIG. 12 is a front perspective view of the audio device with display shown in an alternate position in which the display is moved upward;
FIG. 13 is a front view thereof;
FIG. 14 is a rear view thereof;
FIG. 15 is a left-side view thereof;
FIG. 16 is a right-side view thereof;
FIG. 17 is a top view thereof;
FIG. 18 is a bottom view thereof;
FIG. 19 is a rear perspective view thereof;
FIG. 20 is an enlarged view of the encircled portion 20 in FIG. 12;
FIG. 21 is an enlarged view of the encircled portion 21 in FIG. 13;
FIG. 22 is right-side view thereof in a tilted configuration;
FIG. 23 is a front perspective view of the audio device with display shown in another alternate position in which the display is rotated;
FIG. 24 is a front view thereof;
FIG. 25 is a rear view thereof;
FIG. 26 is a left-side view thereof;
FIG. 27 is a right-side view thereof;
FIG. 28 is a top view thereof;
FIG. 29 is a bottom view thereof;
FIG. 30 is a rear perspective view thereof;
FIG. 31 is an enlarged view of the encircled portion 31 in FIG. 23;
FIG. 32 is an enlarged view of the encircled portion 32 in FIG. 24;
FIG. 33 is right-side view thereof in a tilted configuration;
FIG. 34 is an enlarged view of the encircled portion 34 in FIG. 8;
FIG. 35 is an enlarged view of the encircled portion 35 in FIG. 14;
FIG. 36 is an enlarged view of the encircled portion 36 in FIG. 19;
FIG. 37 is an enlarged view of the encircled portion 37 in FIG. 25; and,
FIG. 38 is an enlarged view of the encircled portion 38 in FIG. 30.

The evenly-dashed broken lines in the figures depict portions of the audio device with display which form no part of the claimed design.

The dot-dash broken lines in the figures represent boundaries of the claimed design and form no part thereof.

The dot-dot-dash broken lines encircling portions of the claimed design that are illustrated in enlargements form no part of the claimed design.

1 Claim, 32 Drawing Sheets

FIG. 1

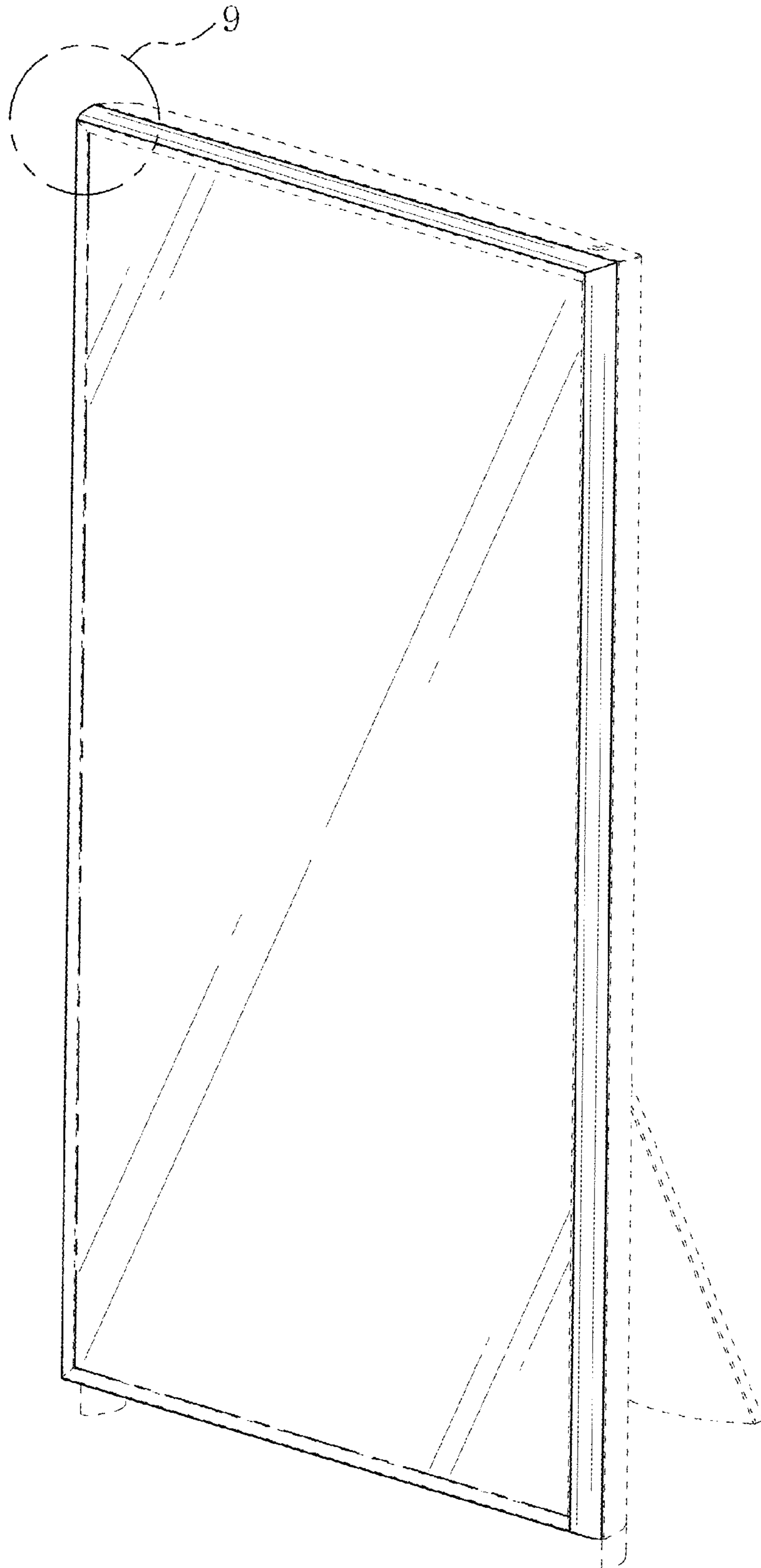


FIG. 2

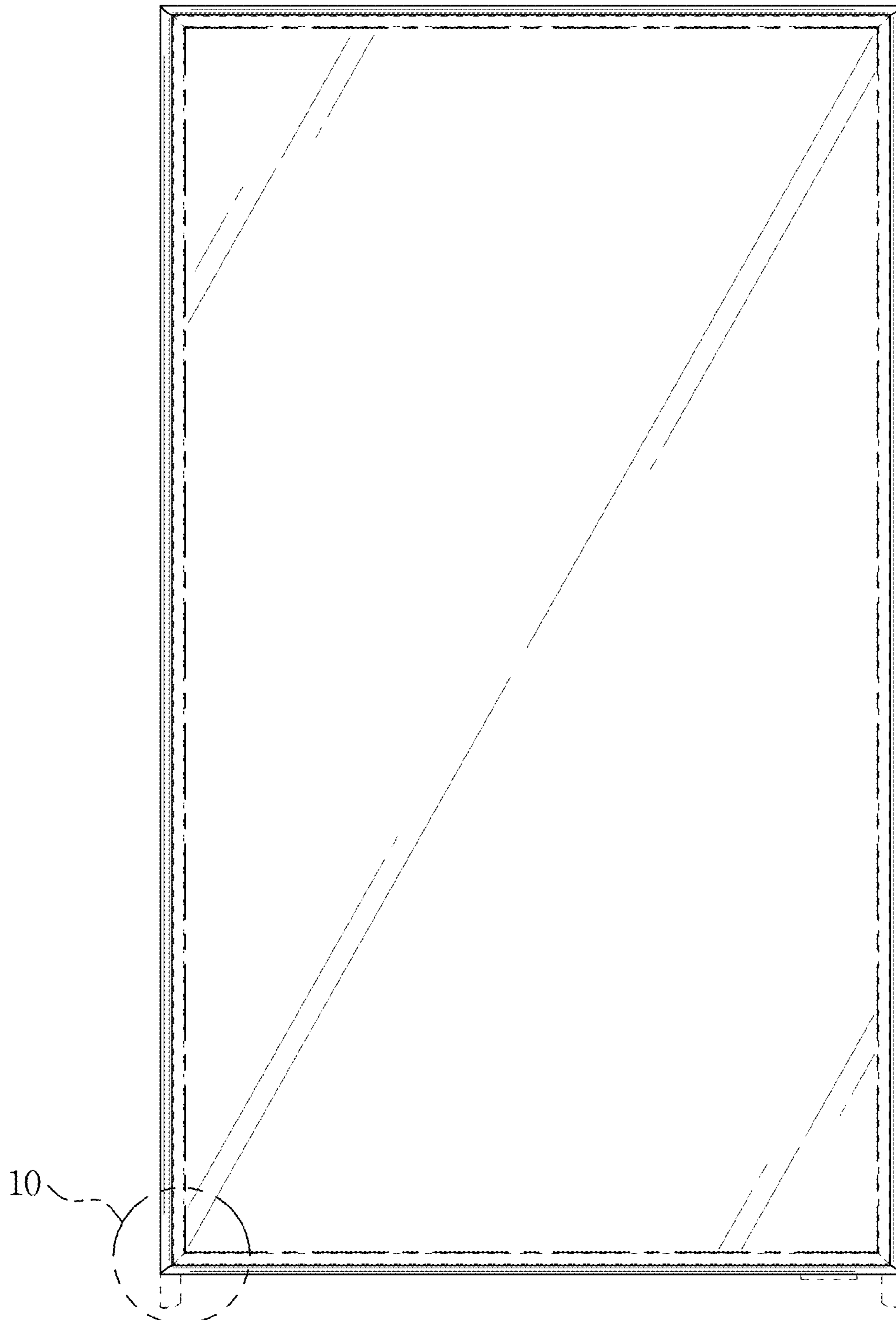


FIG. 3

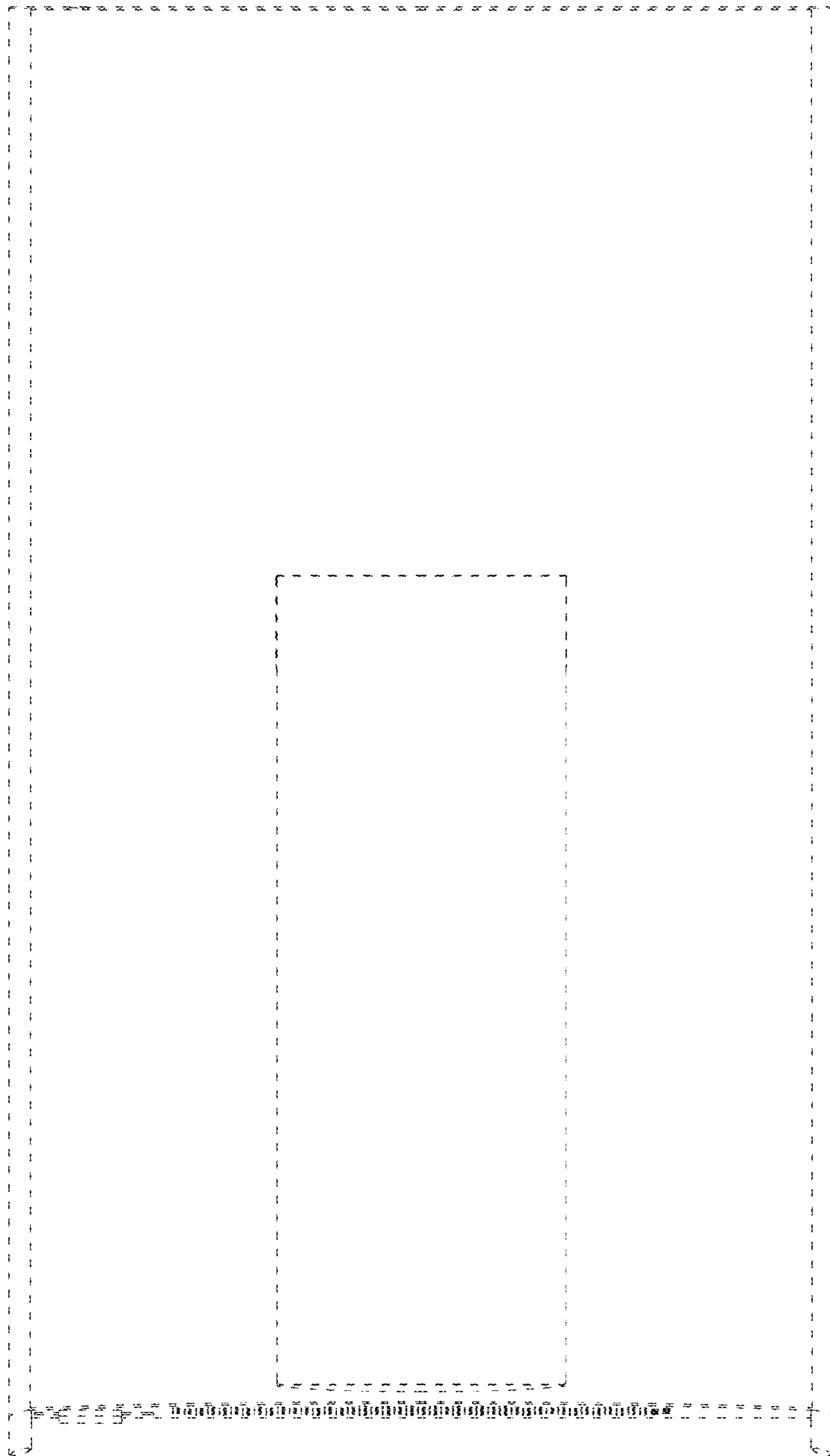


FIG. 4

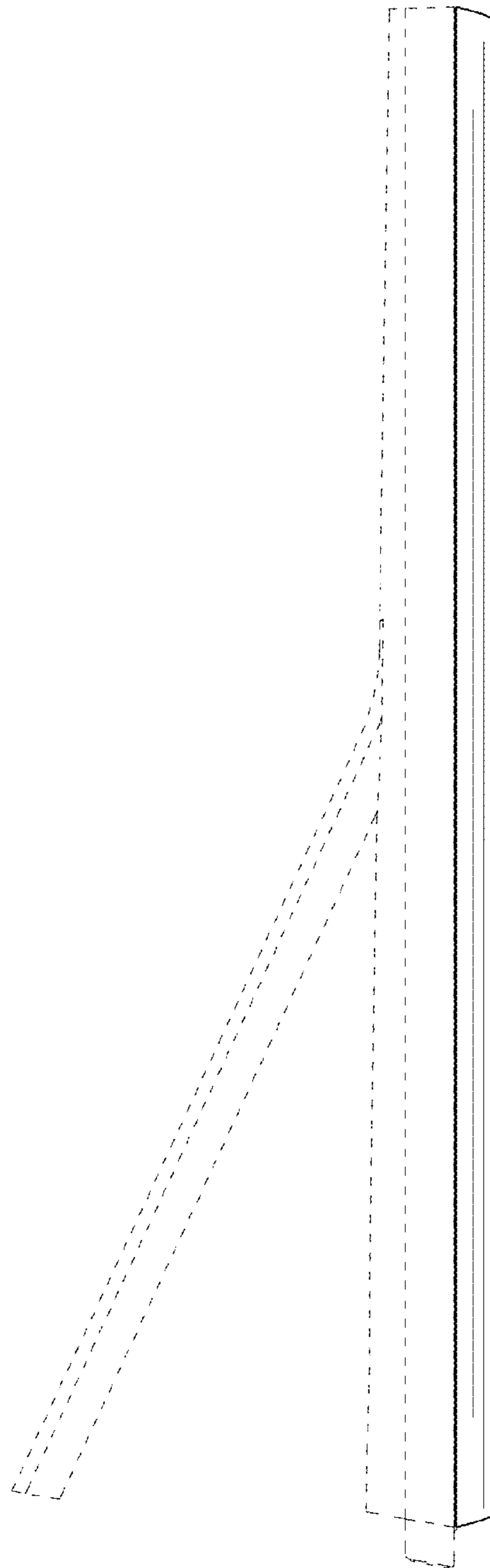


FIG. 5

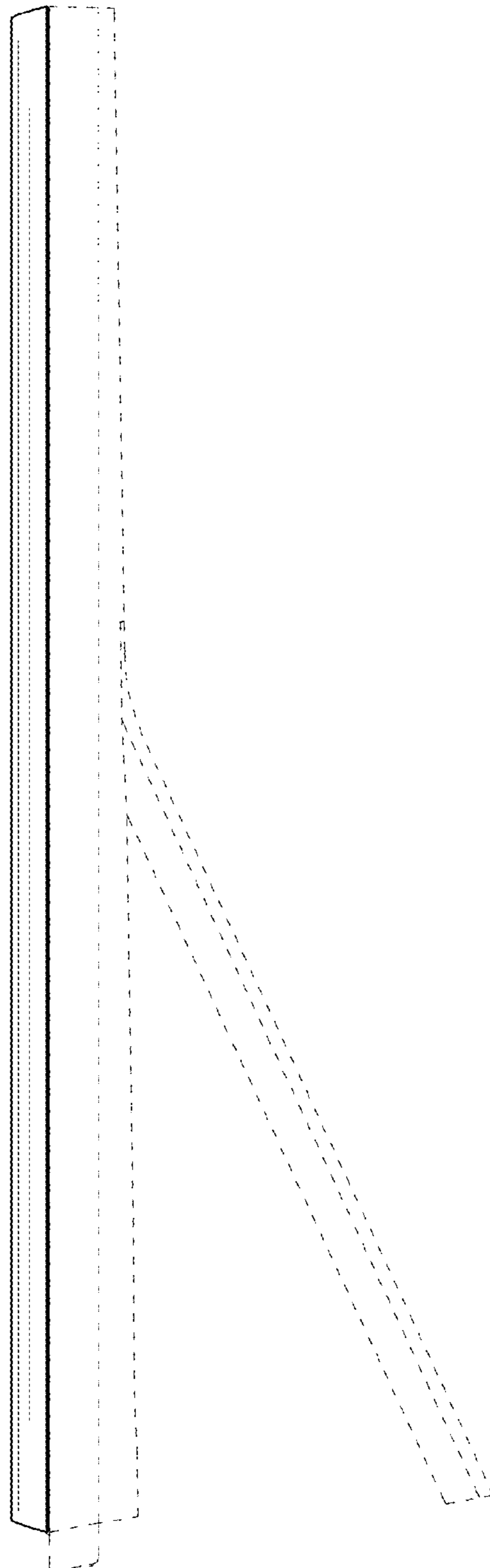


FIG. 6

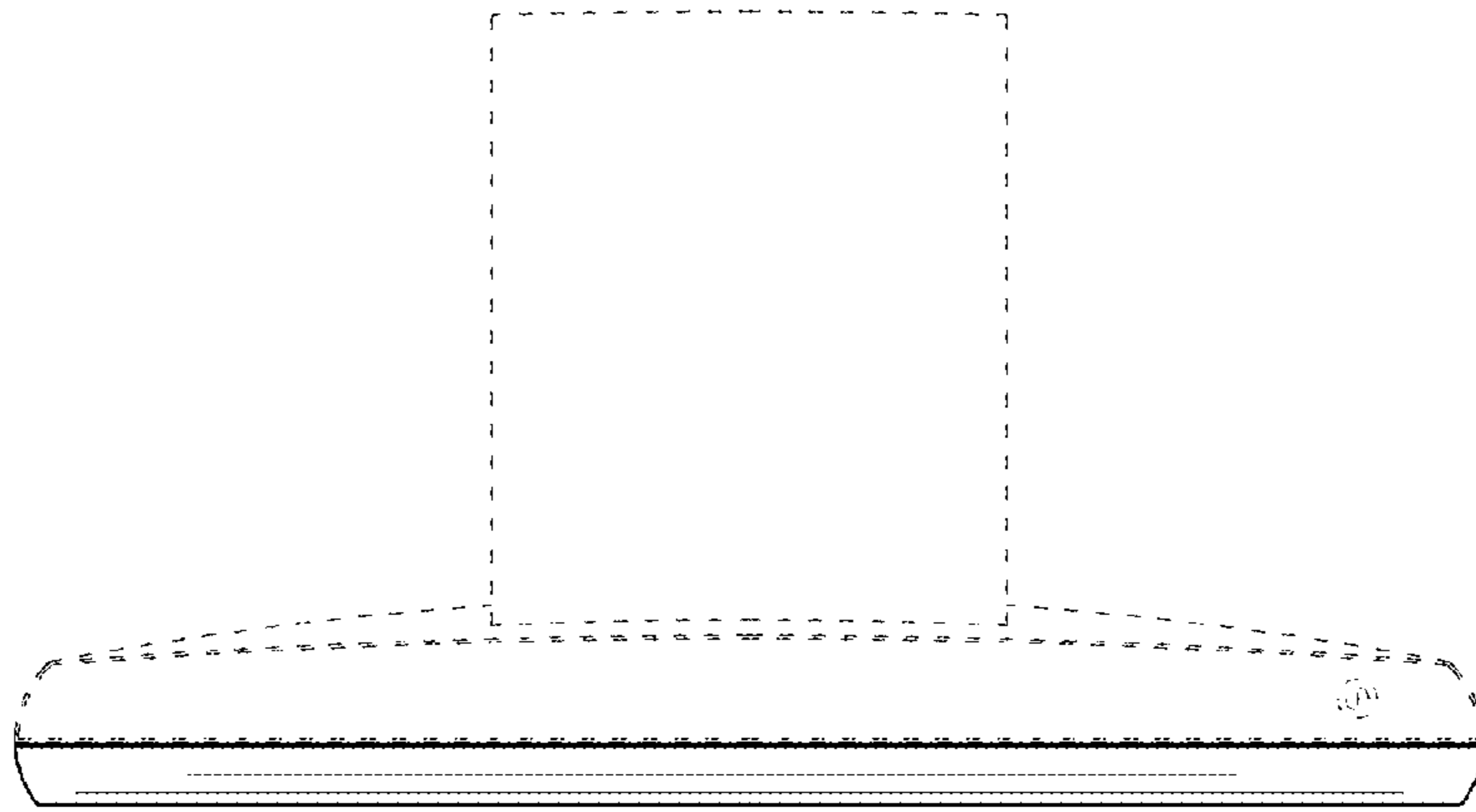


FIG. 7

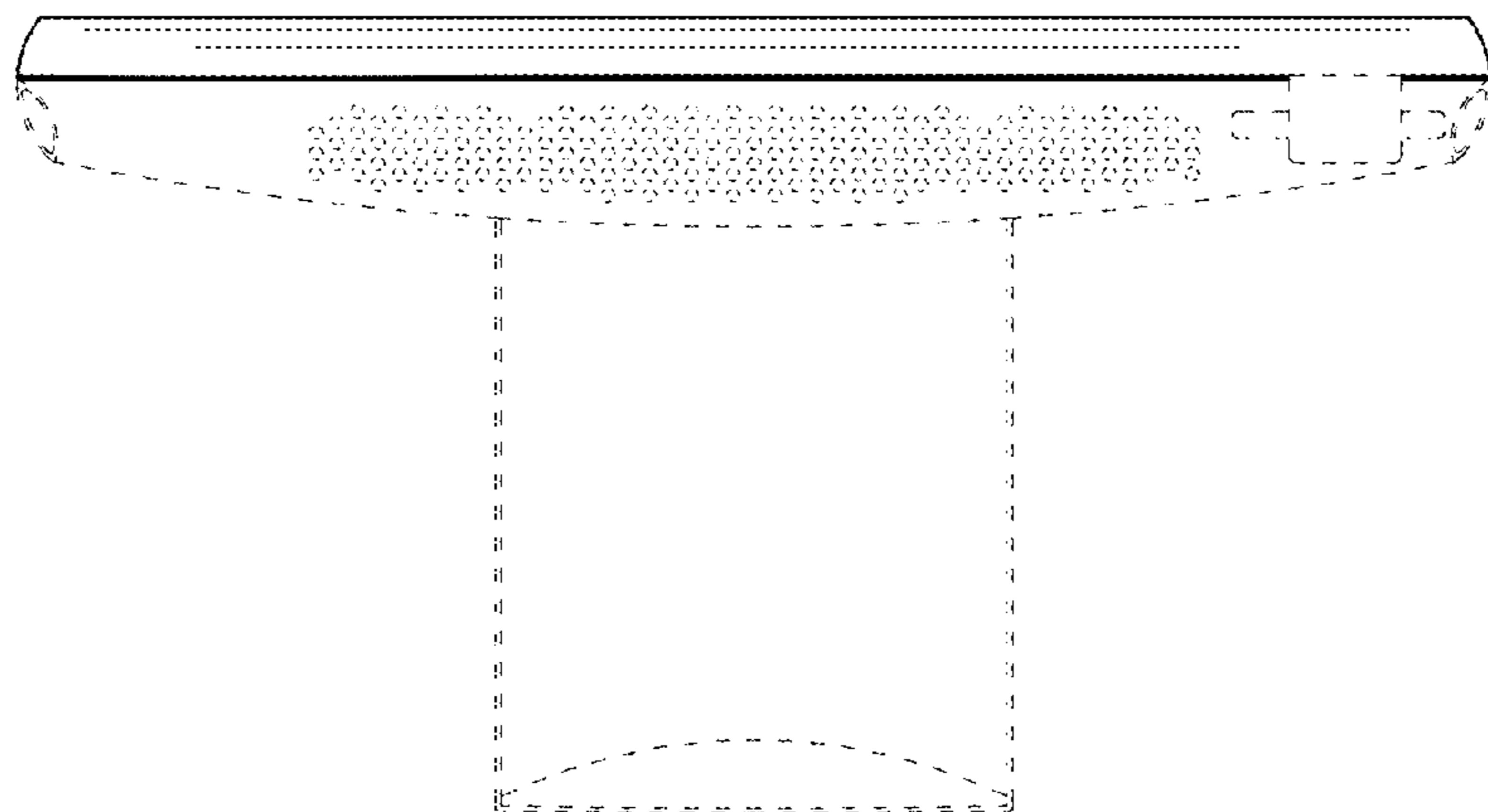


FIG. 8

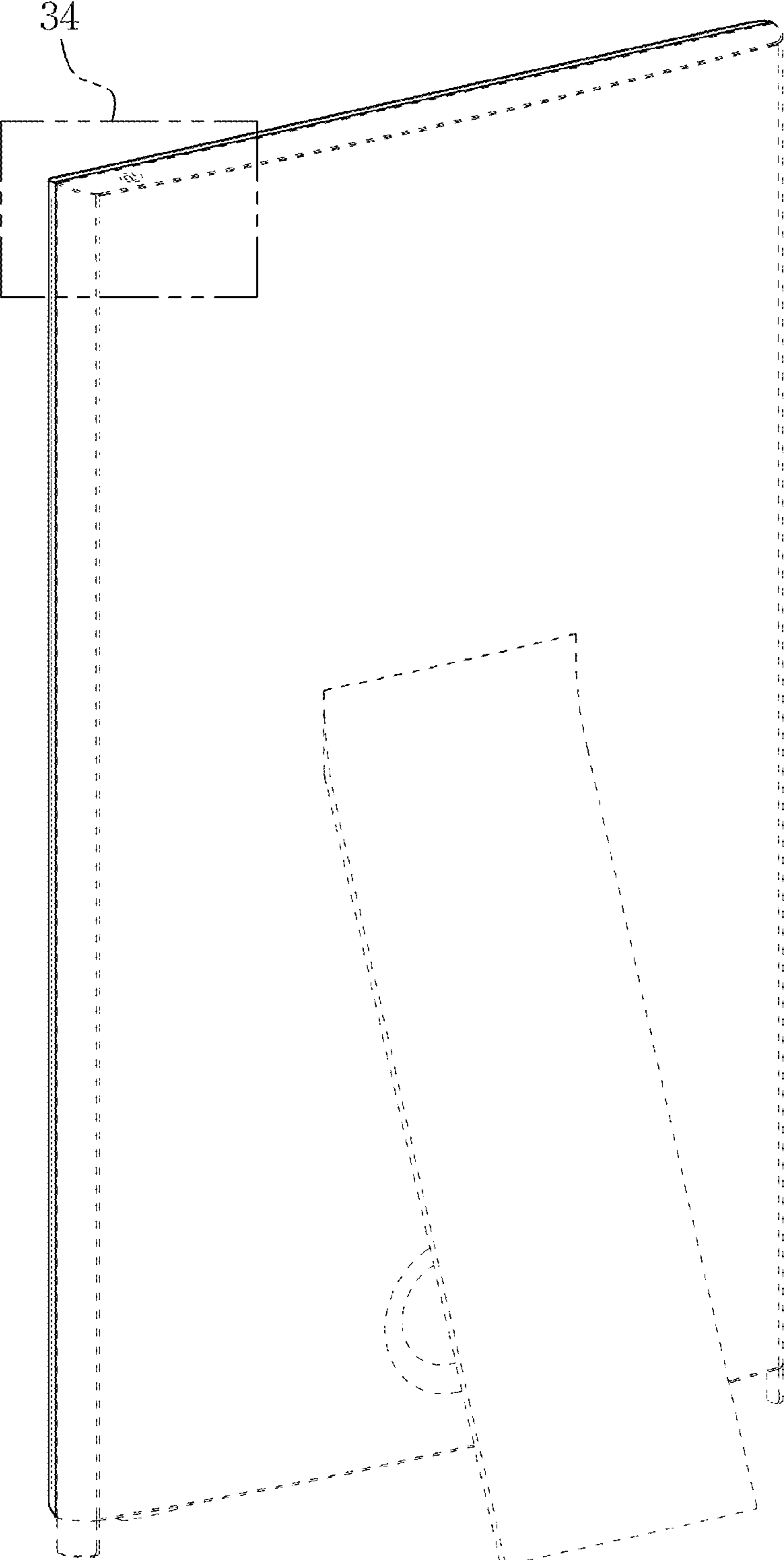


FIG. 9

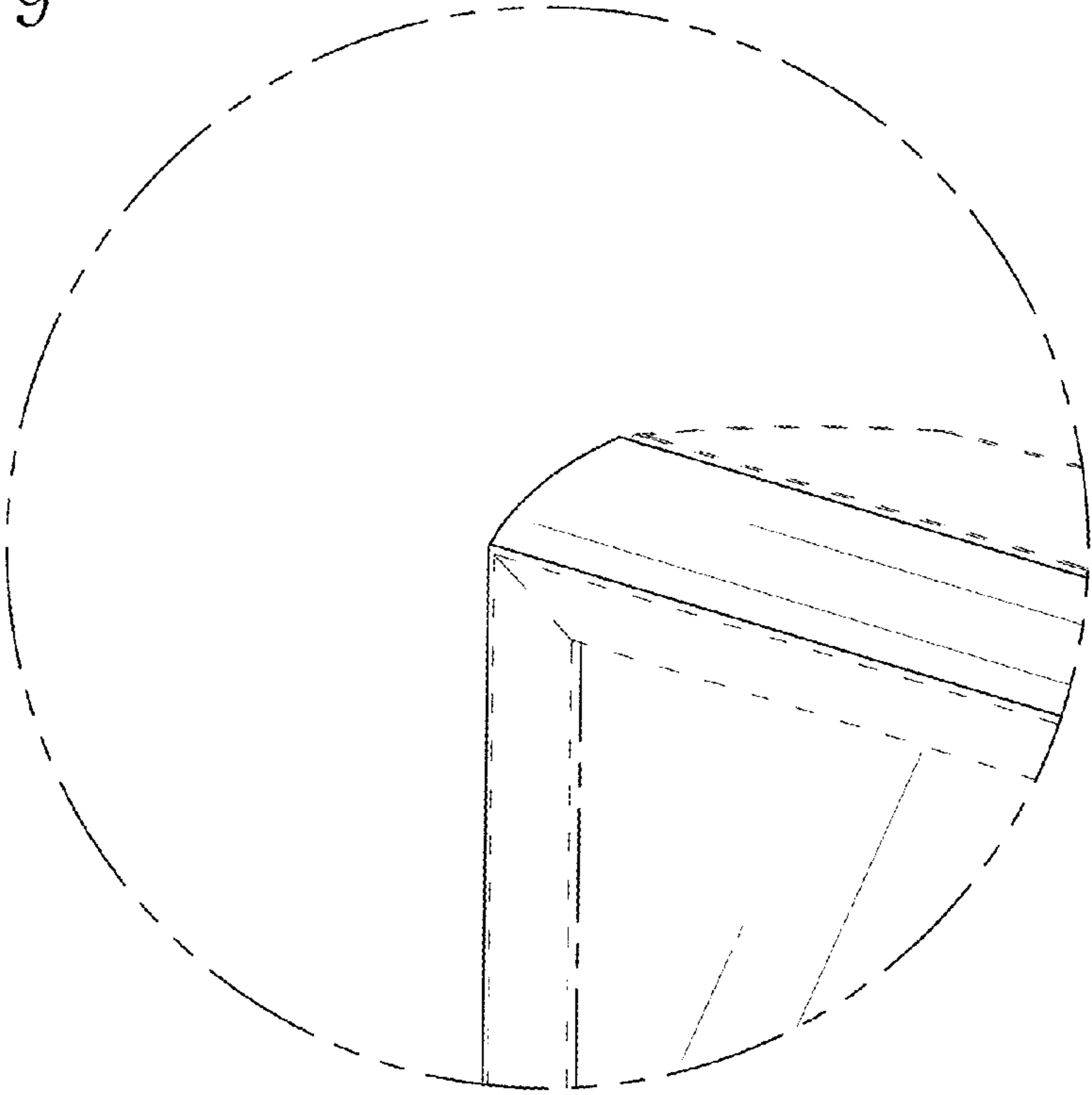


FIG. 10

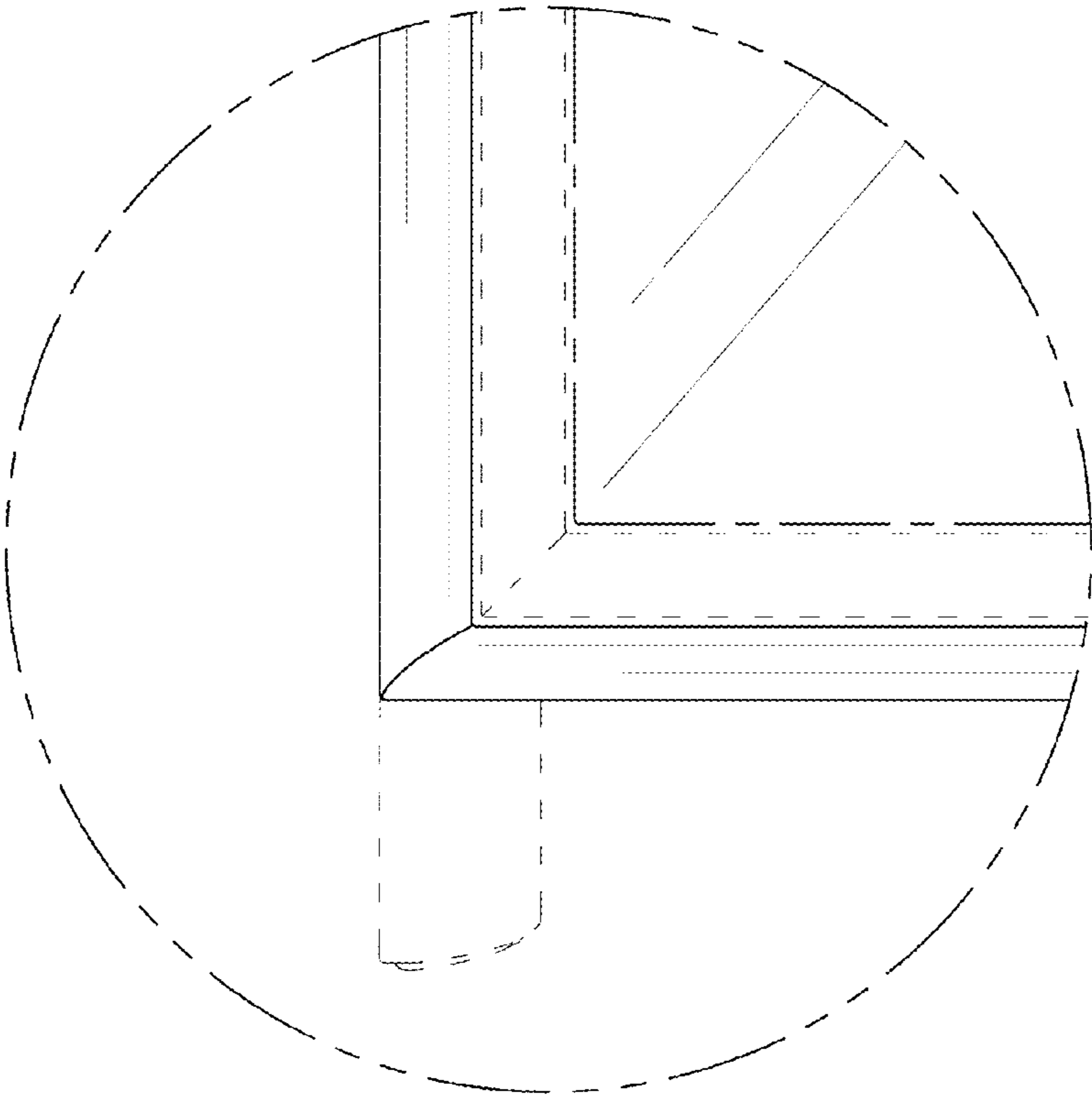


FIG. 11

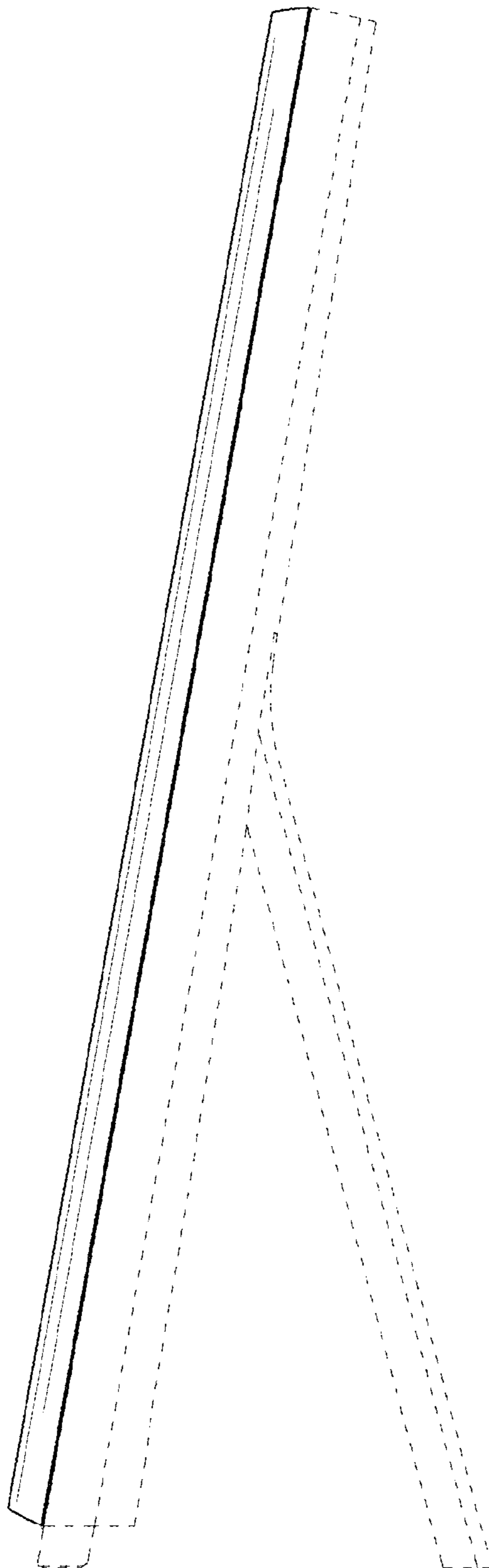


FIG. 12

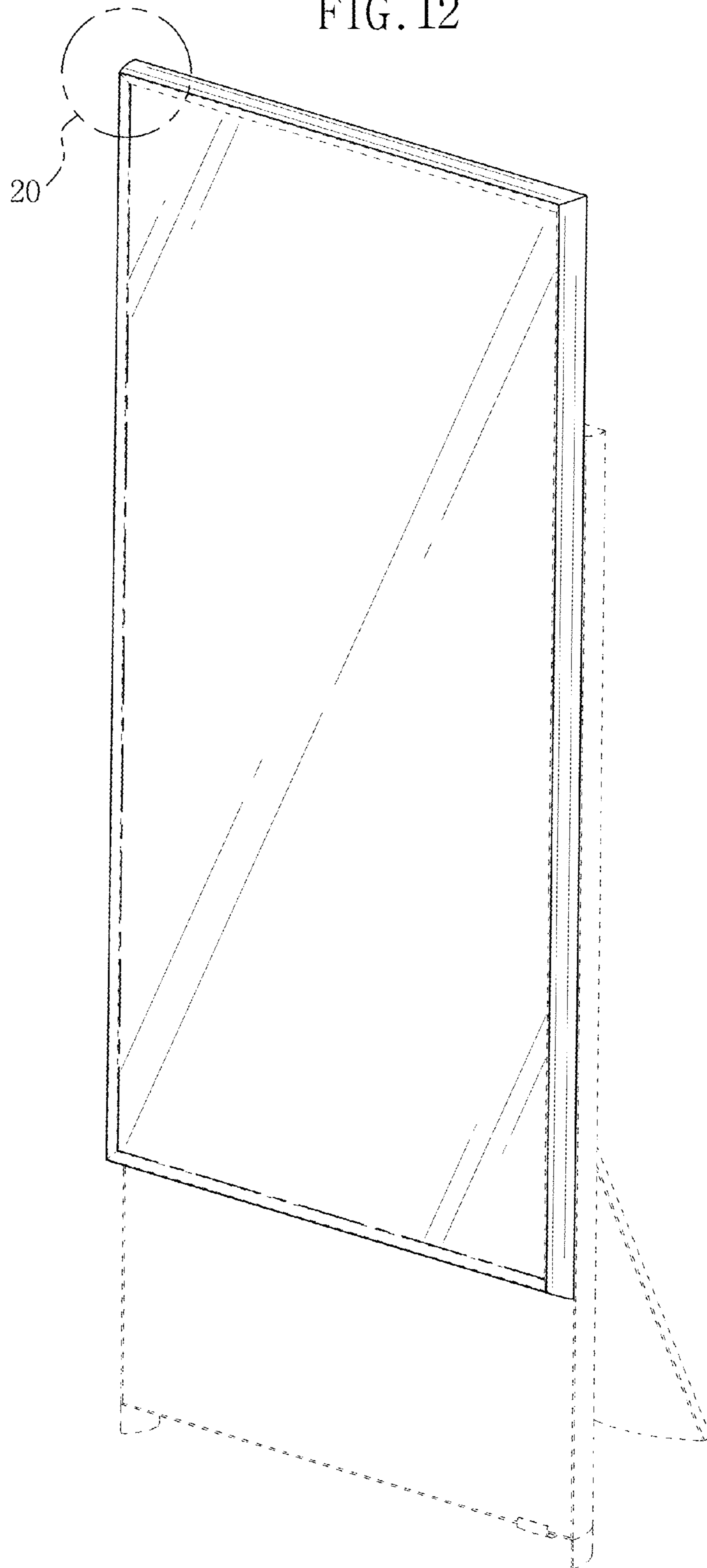


FIG. 13

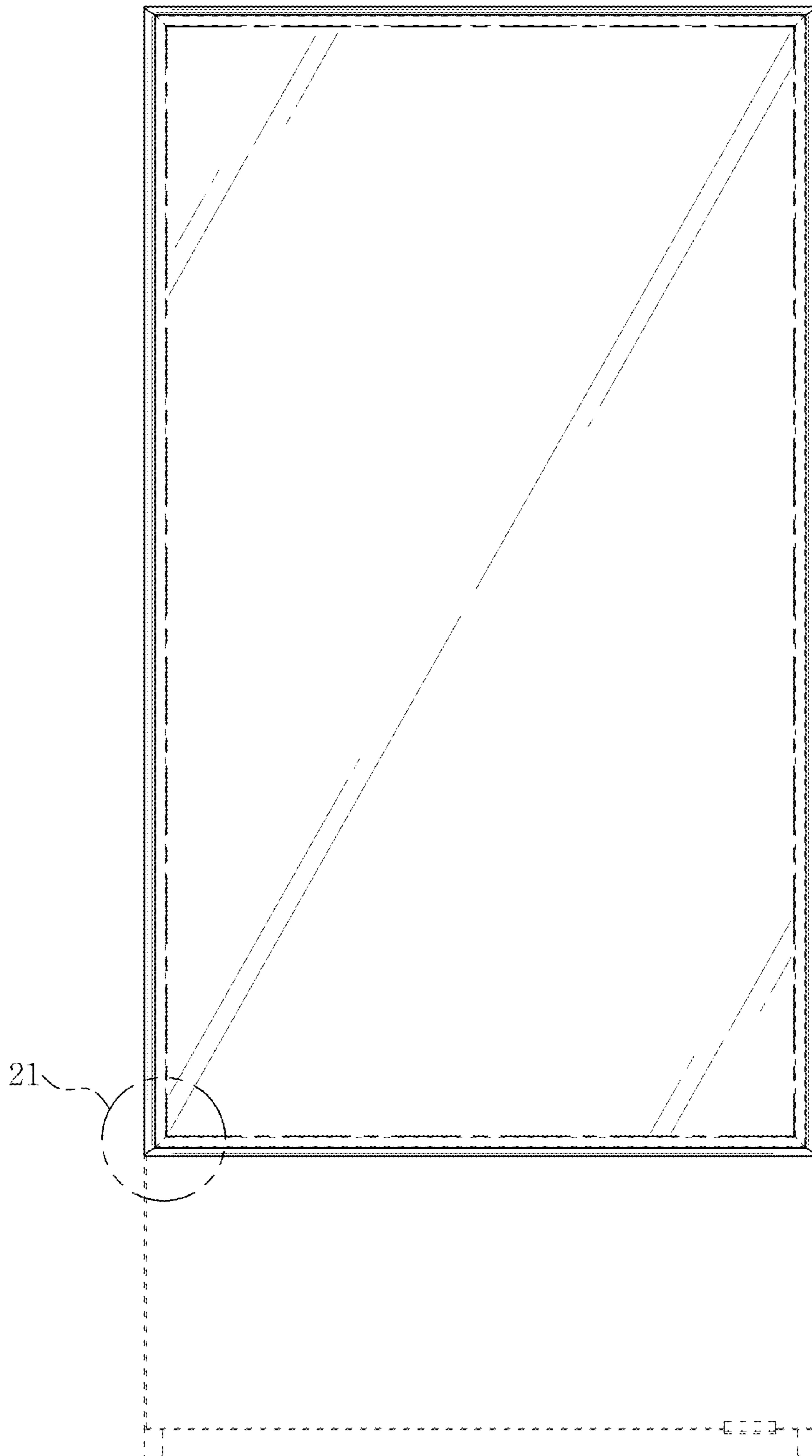


FIG. 14

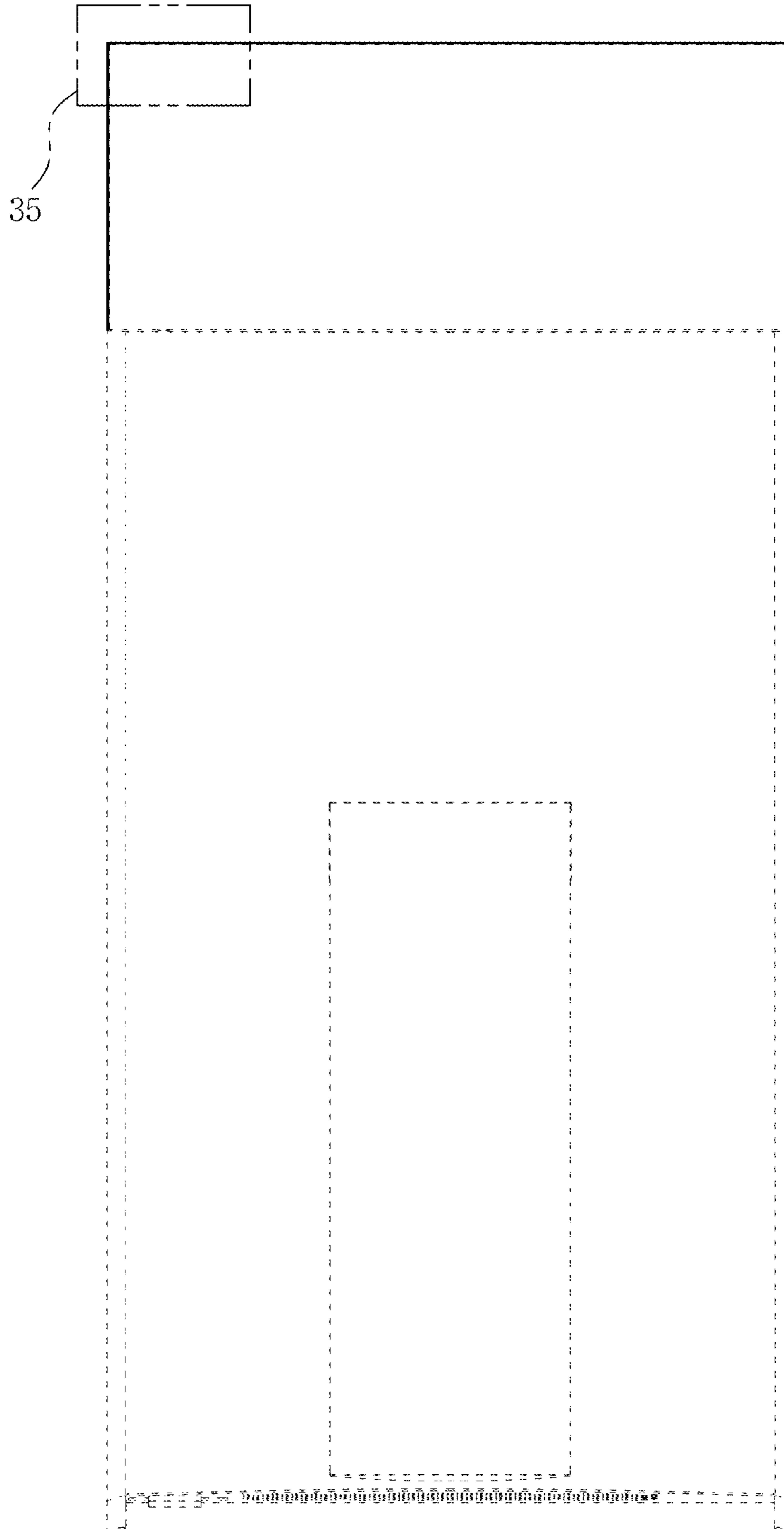


FIG. 15

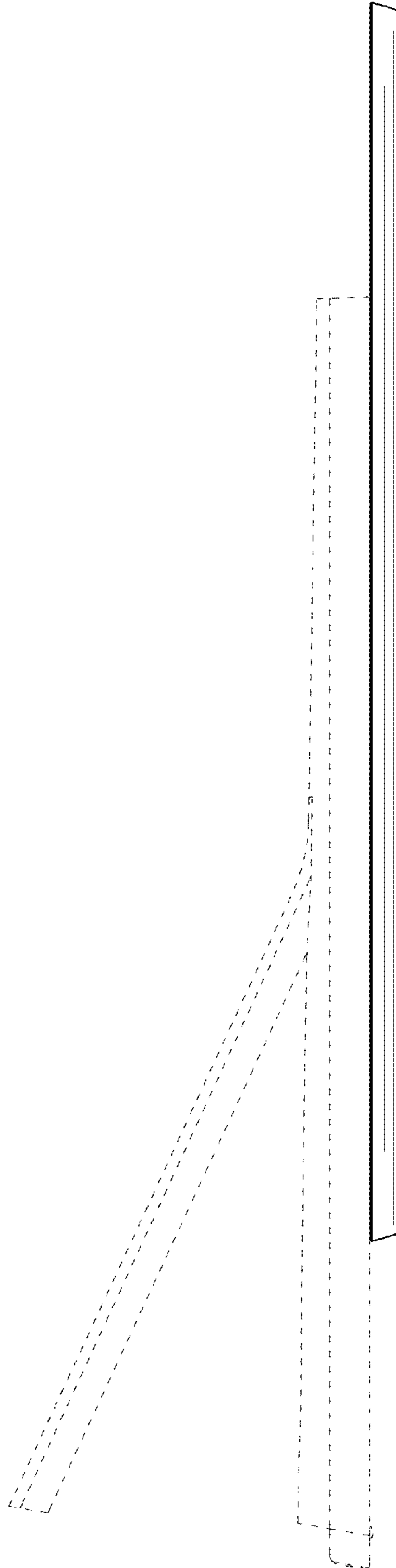


FIG. 16

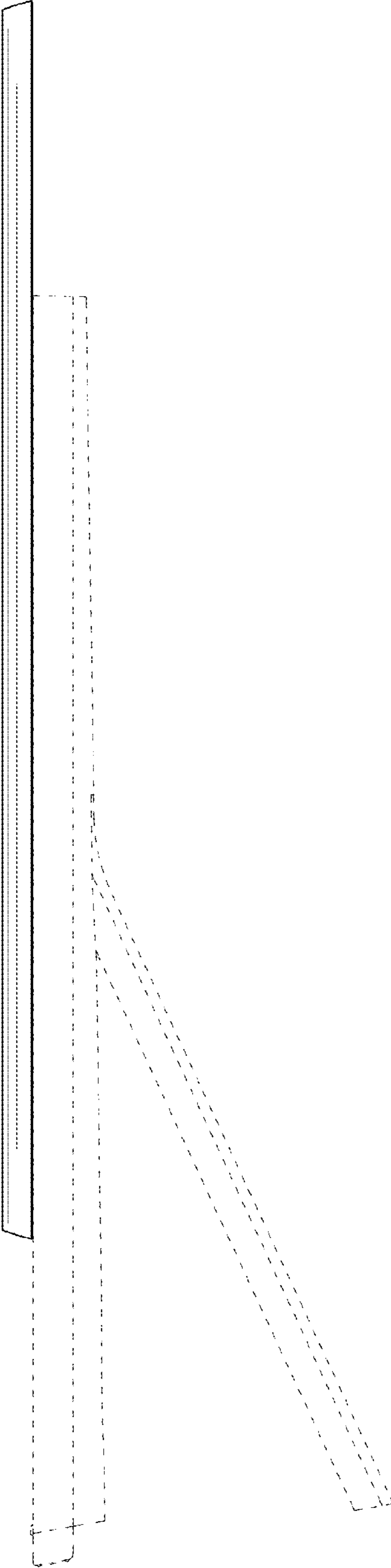


FIG. 17

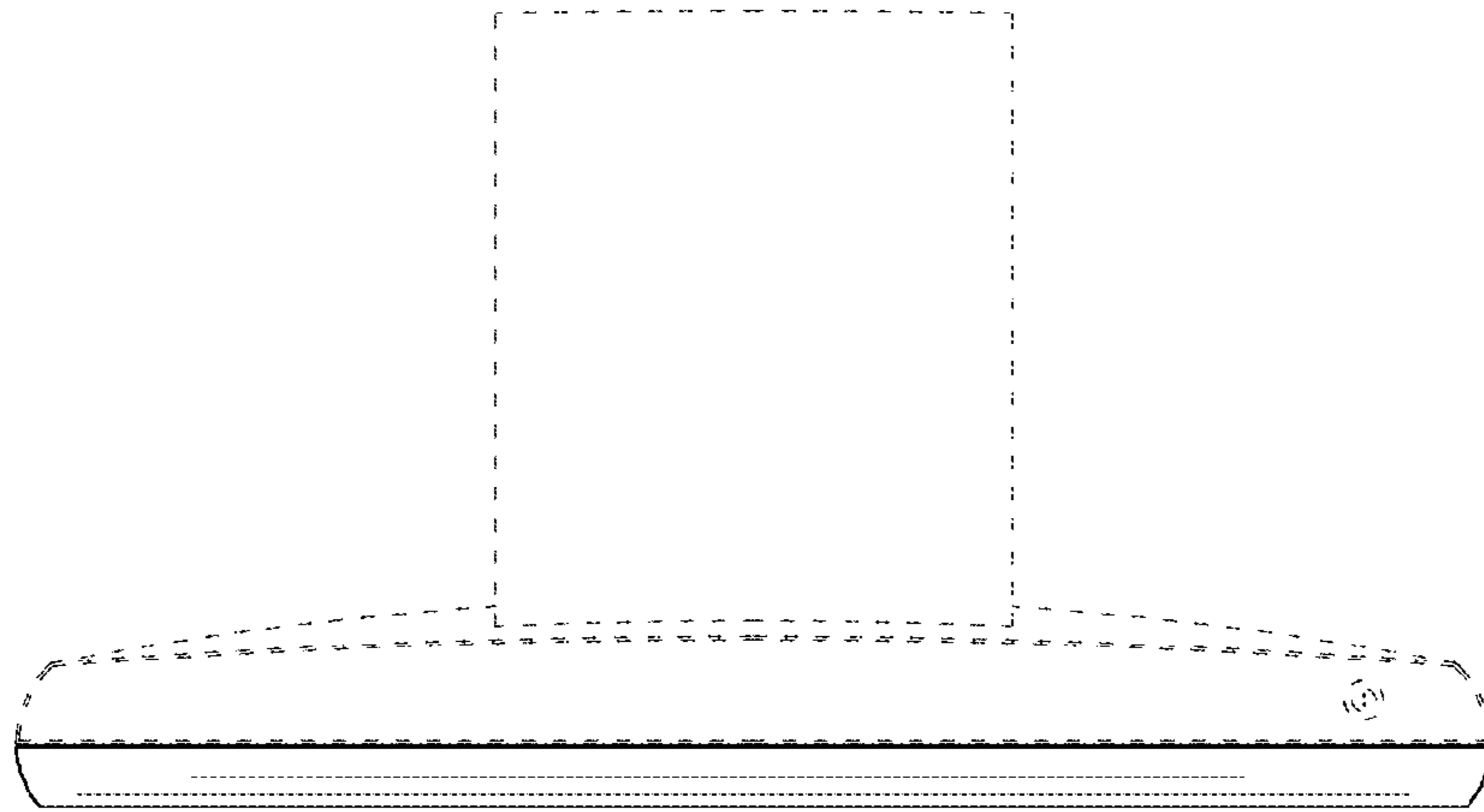


FIG. 18

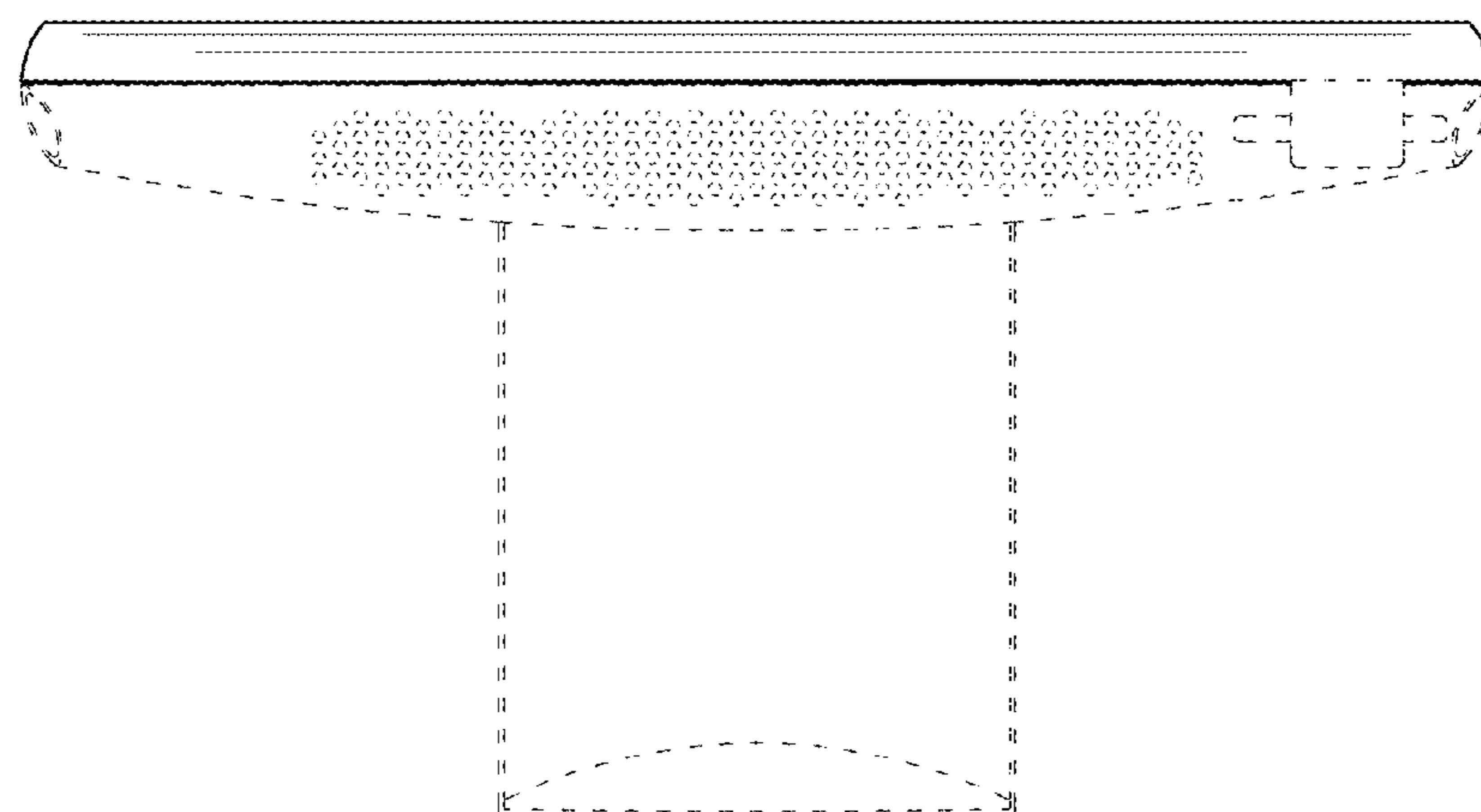


FIG. 19

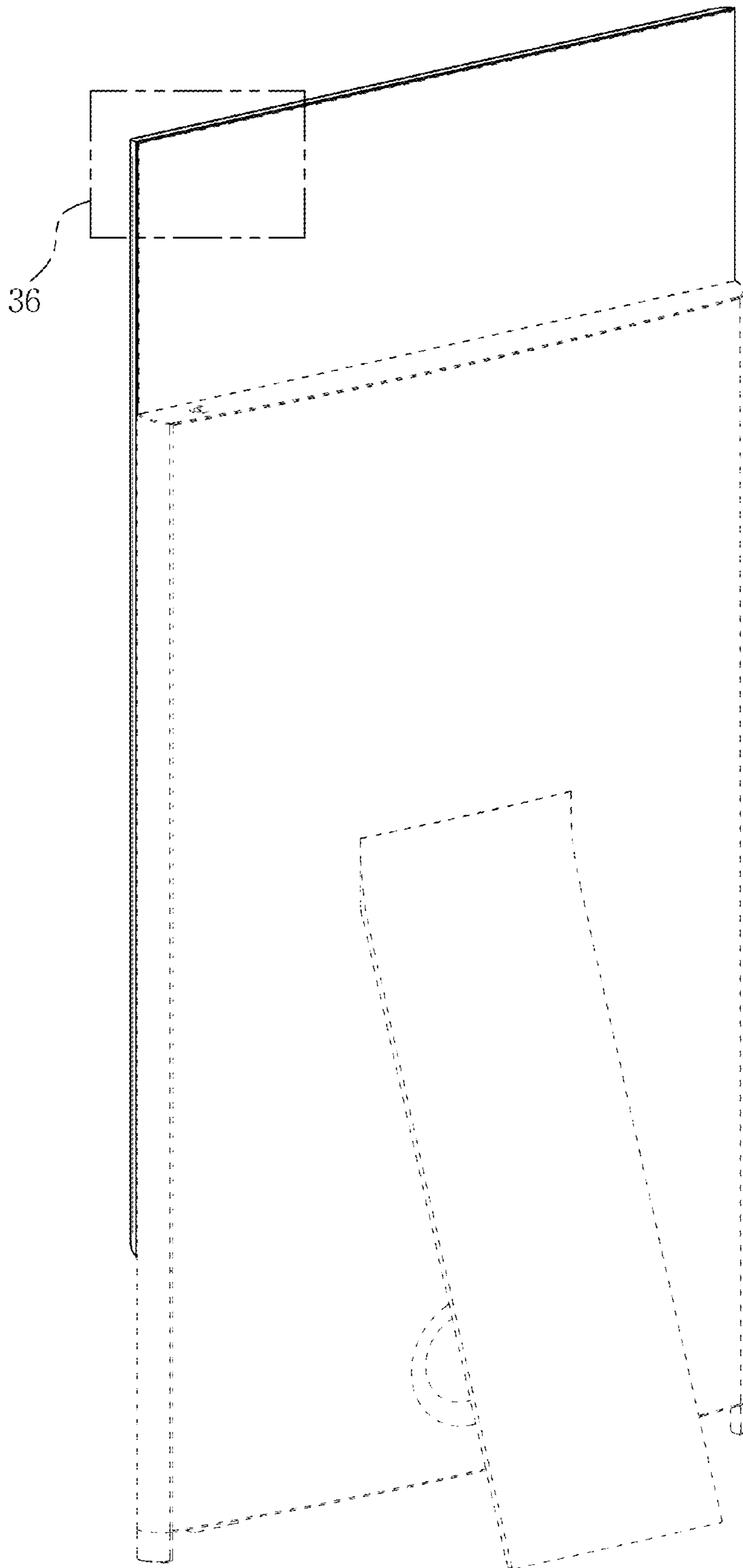


FIG. 20

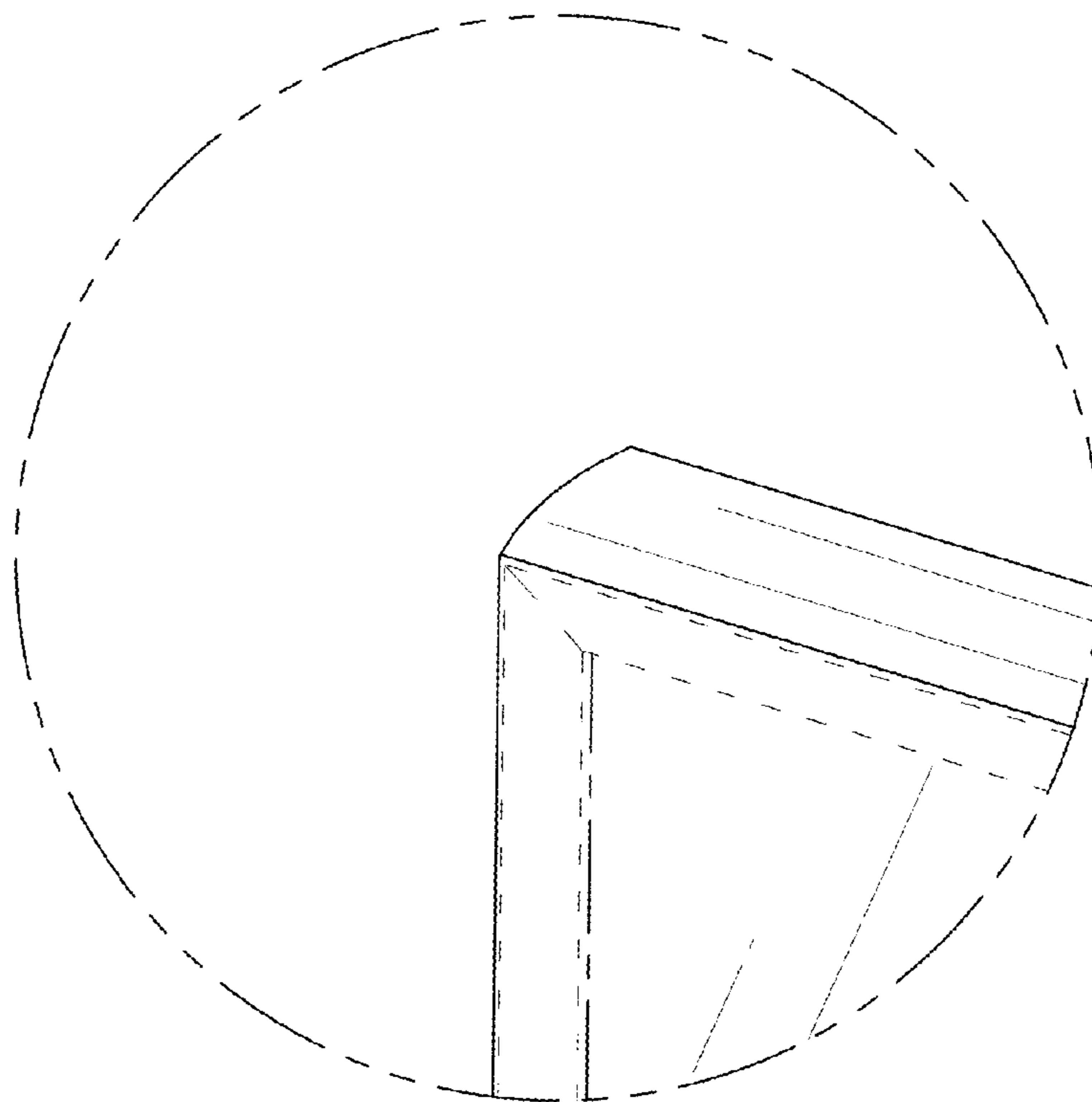


FIG. 21

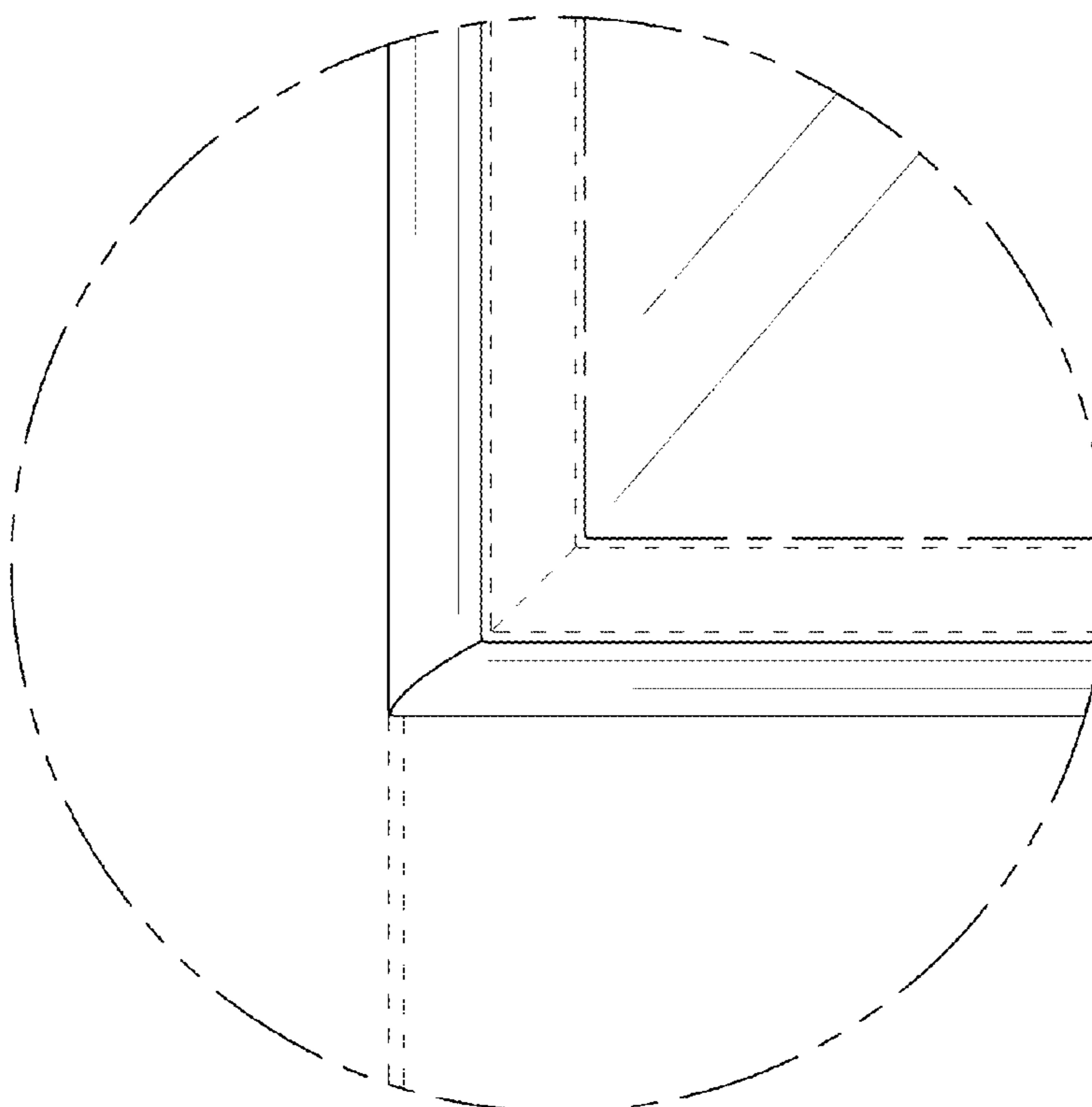


FIG. 22

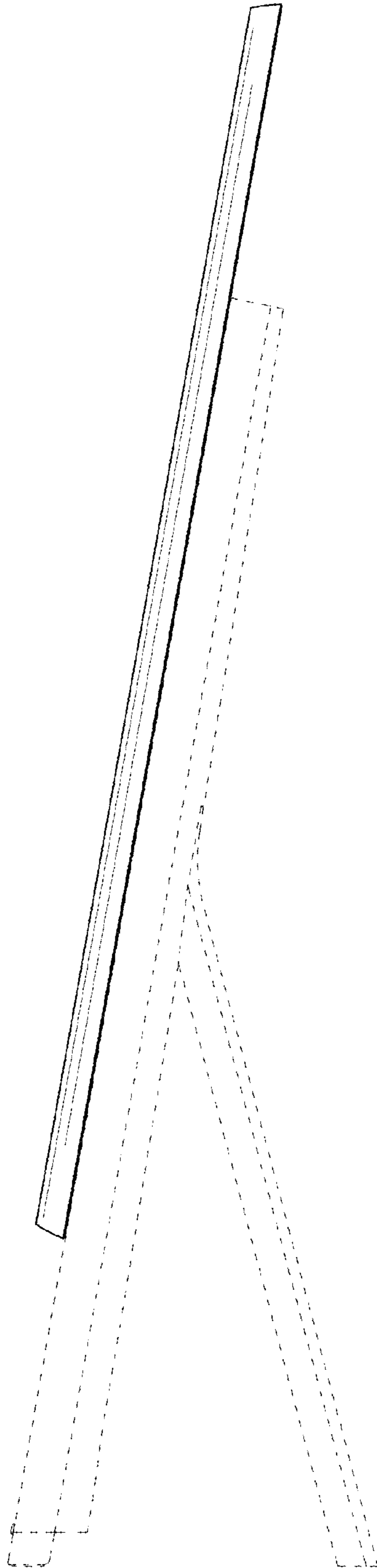


FIG. 23

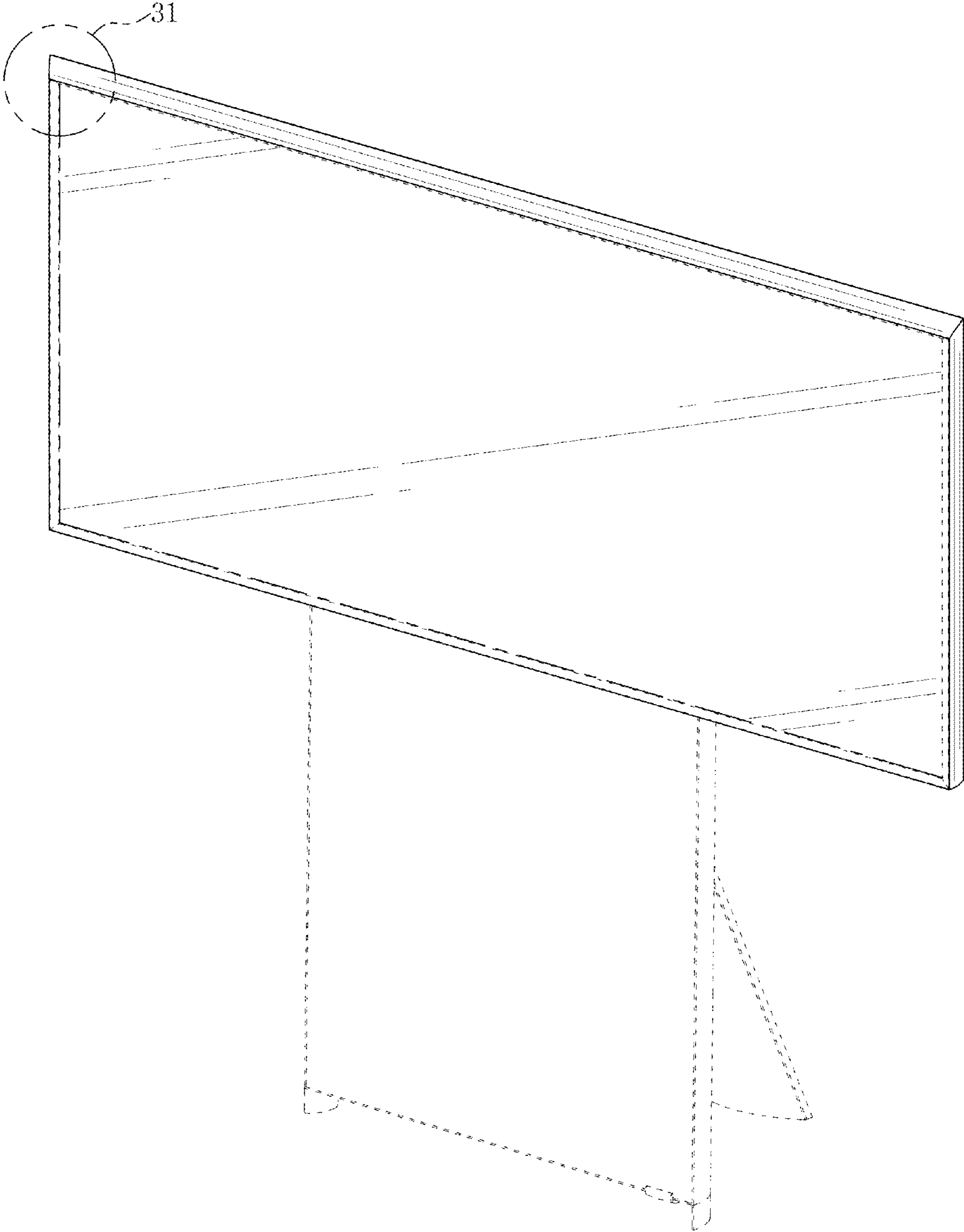


FIG. 24

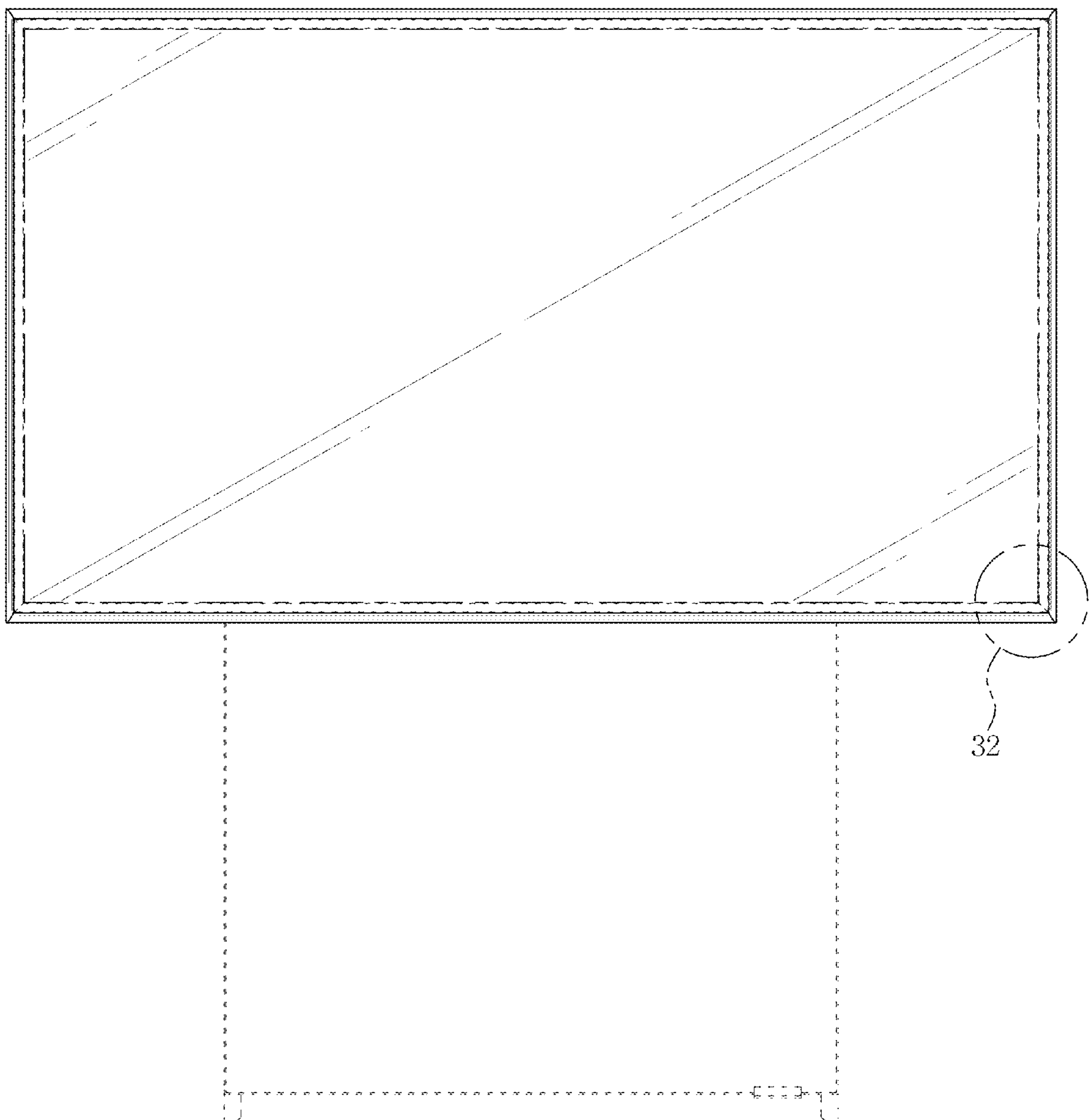


FIG. 25

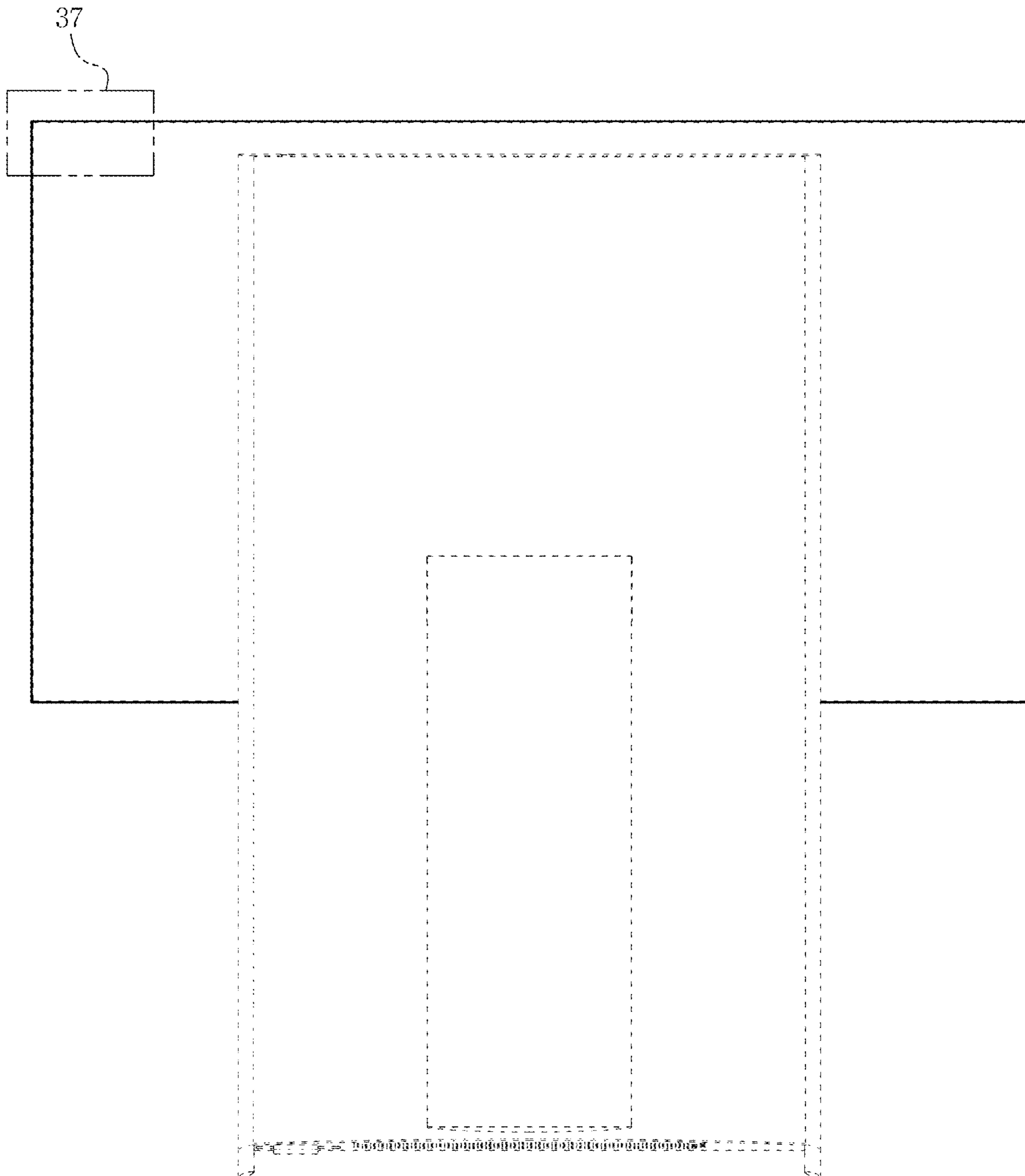


FIG. 26

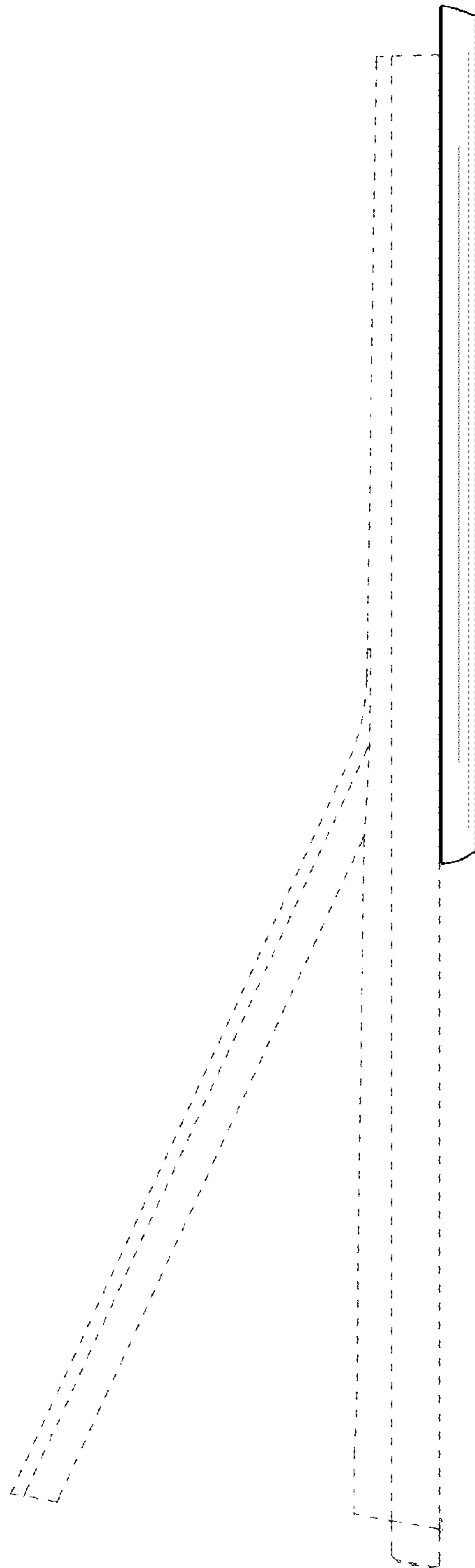


FIG. 27

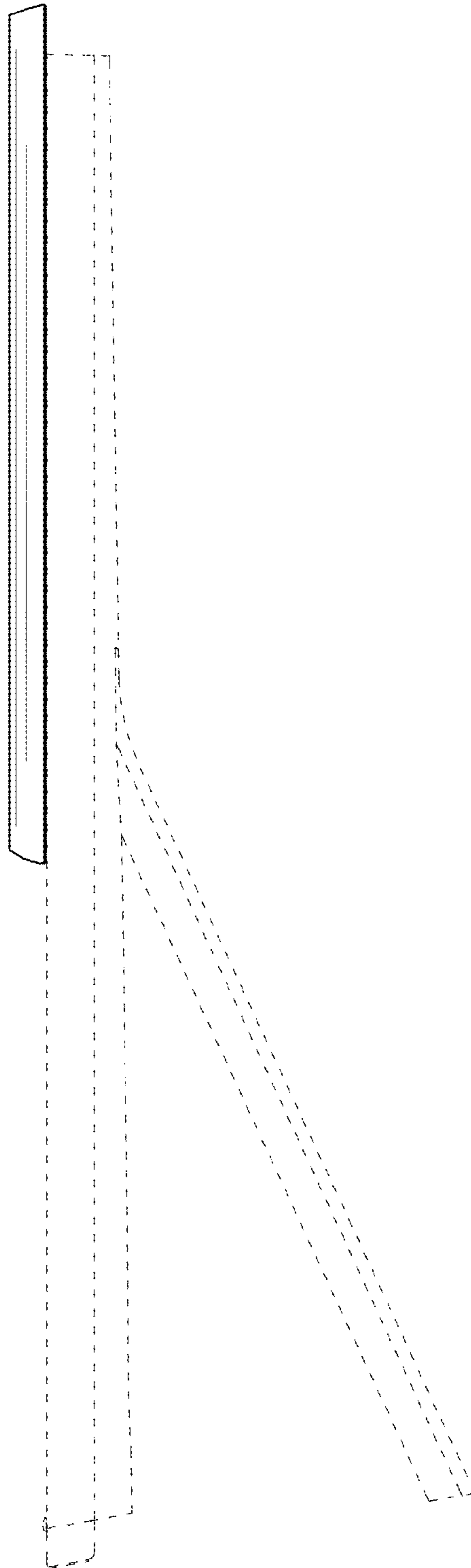


FIG. 28

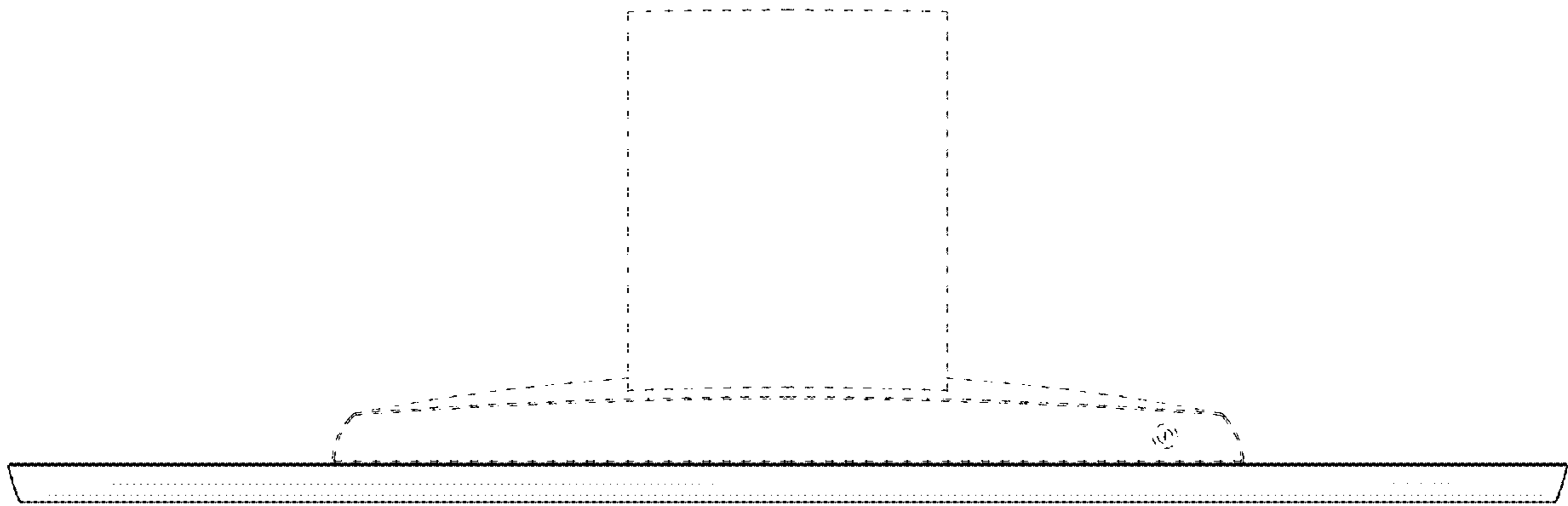


FIG. 29

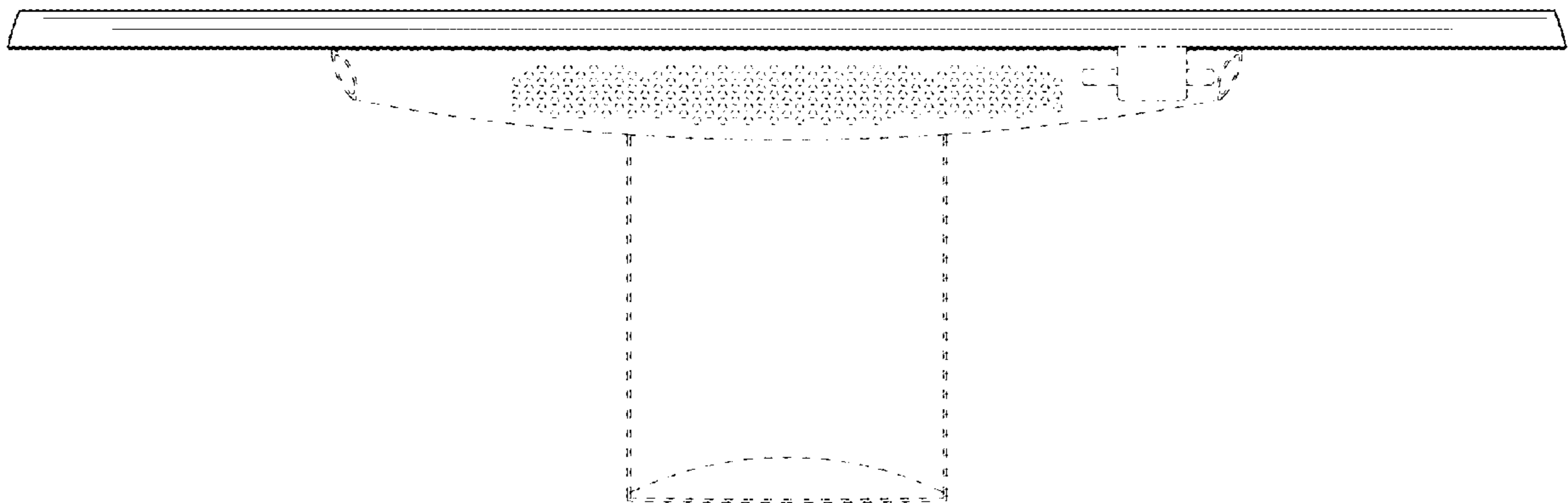


FIG. 30

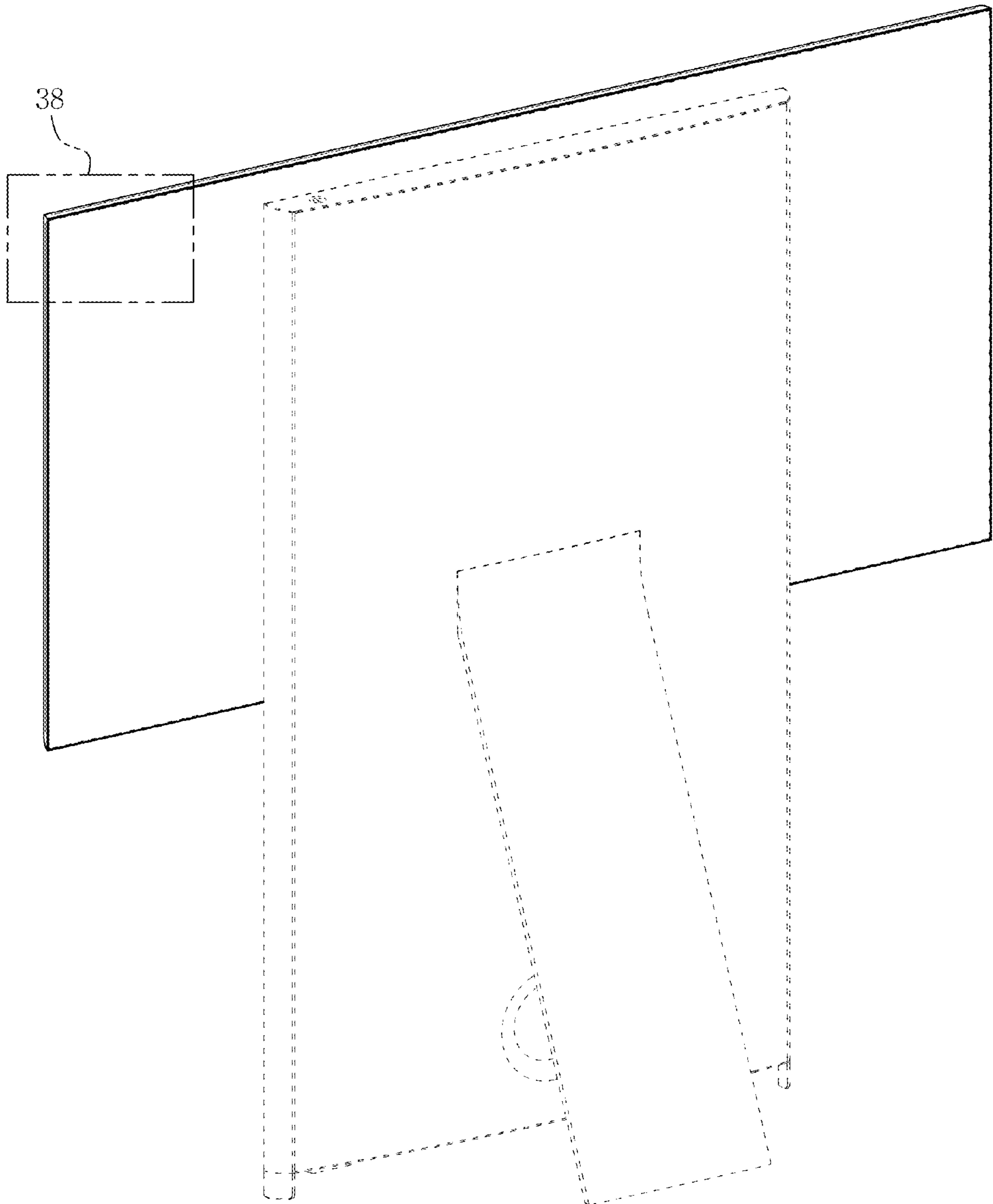


FIG. 31

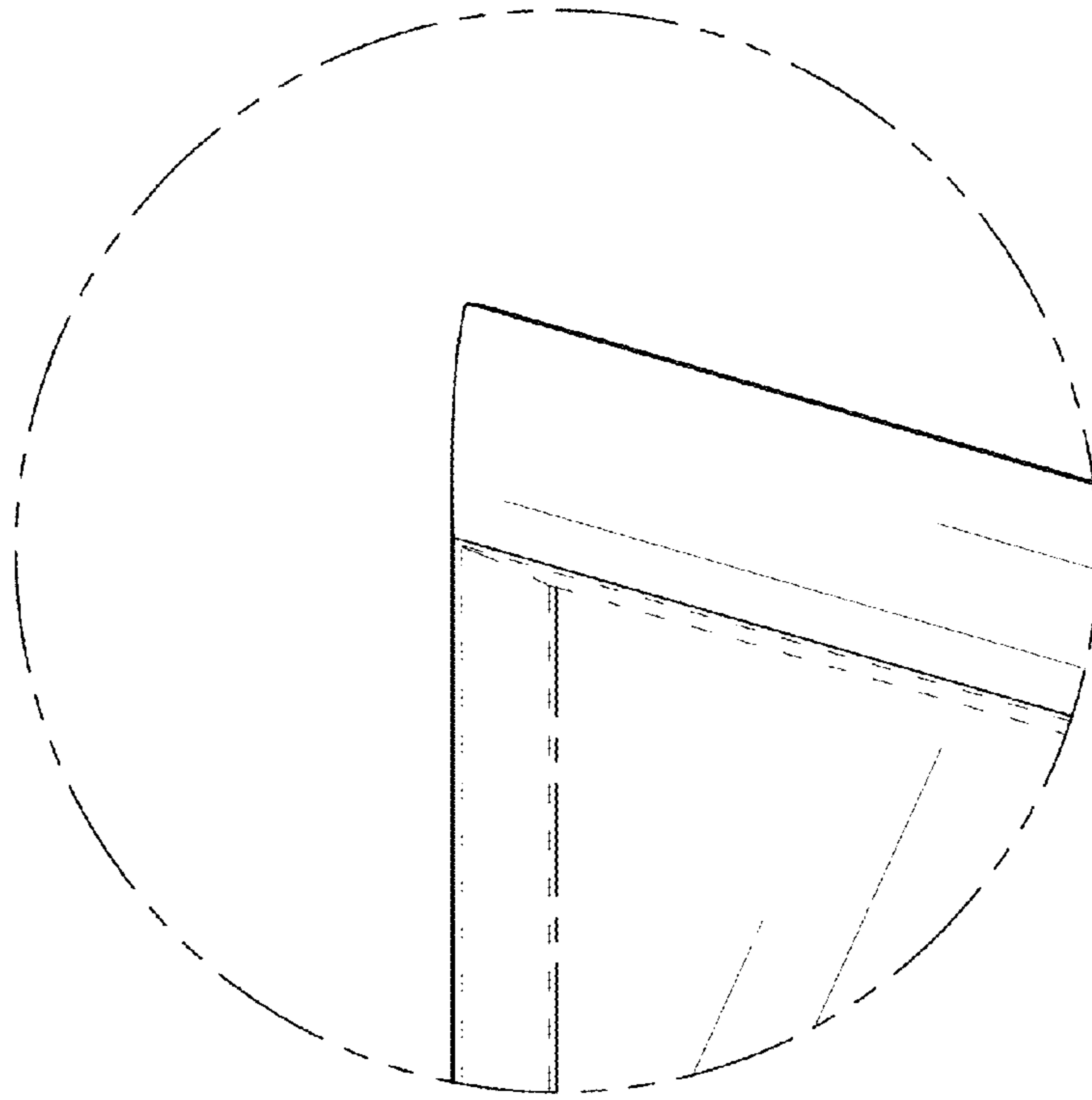


FIG. 32

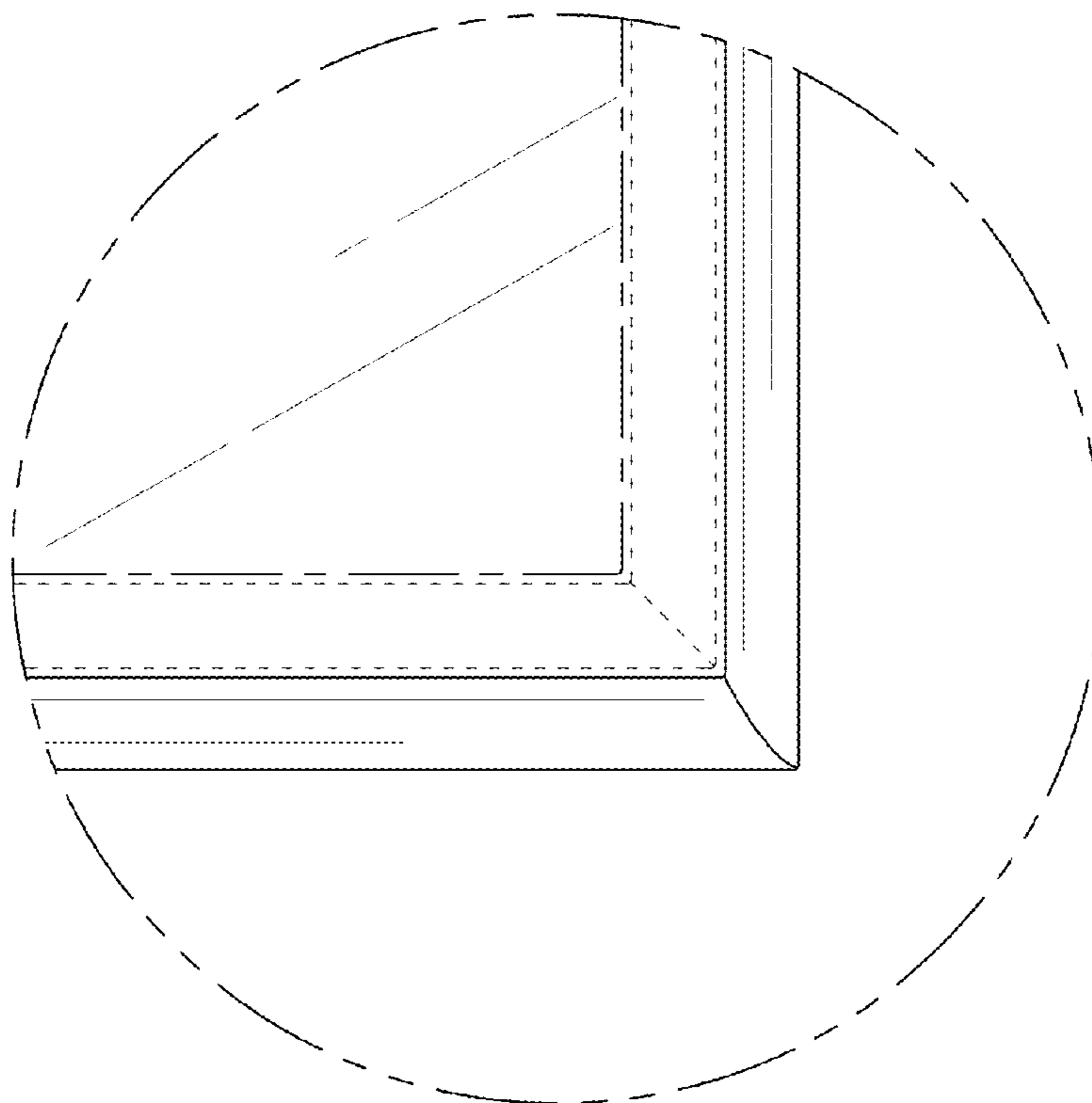


FIG. 33

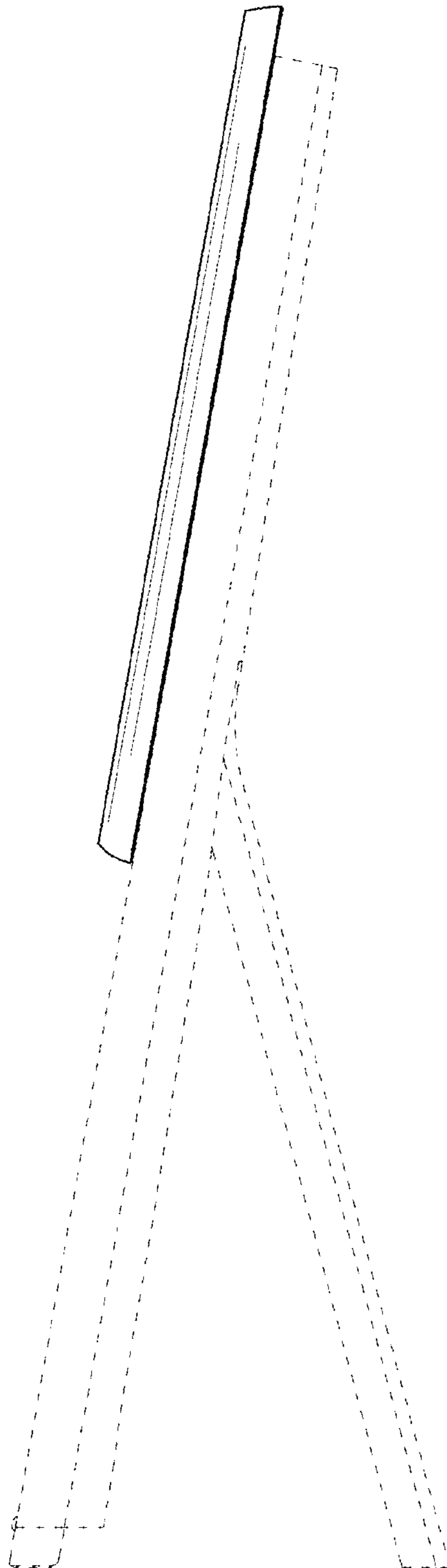


FIG. 34

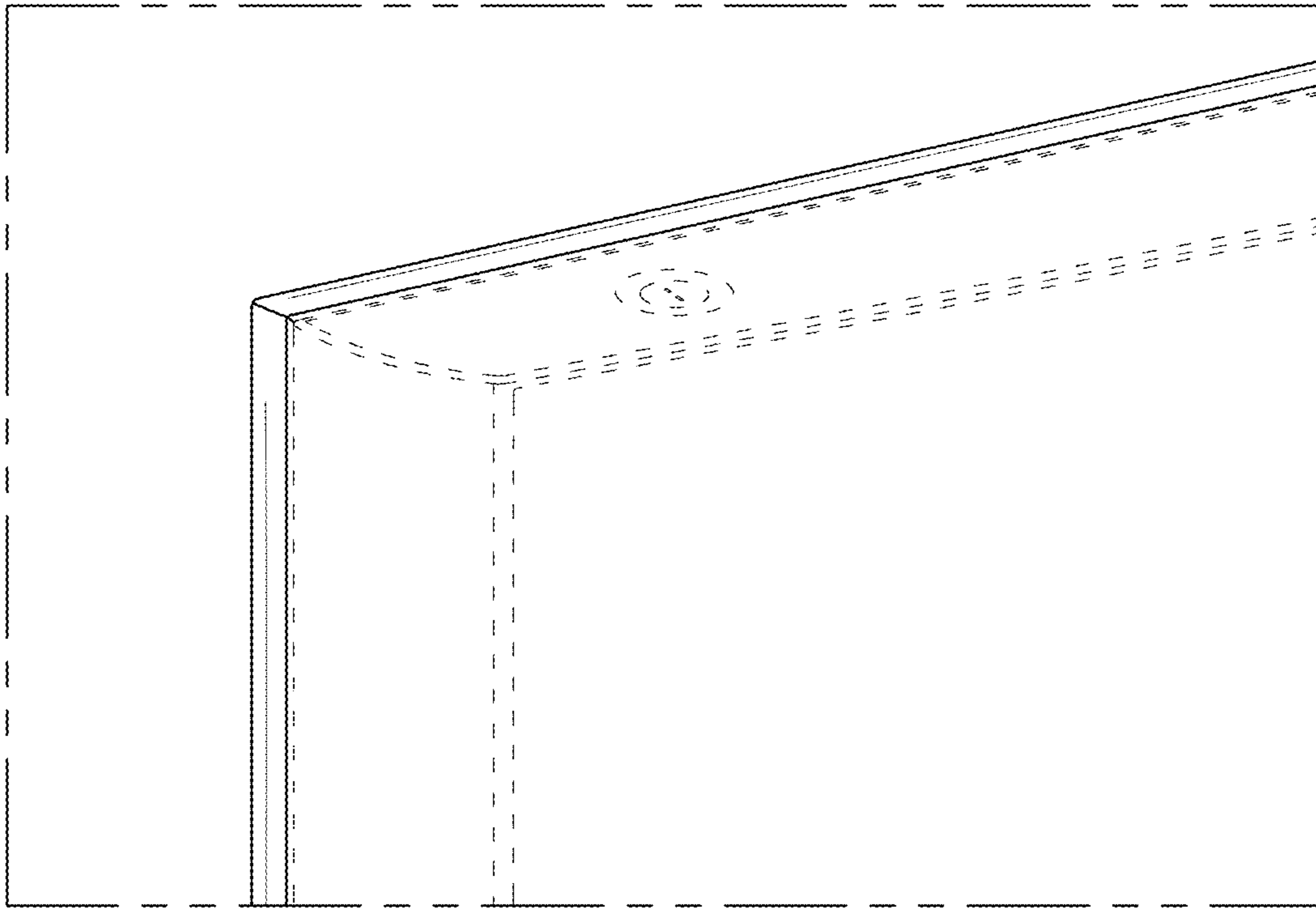


FIG. 35

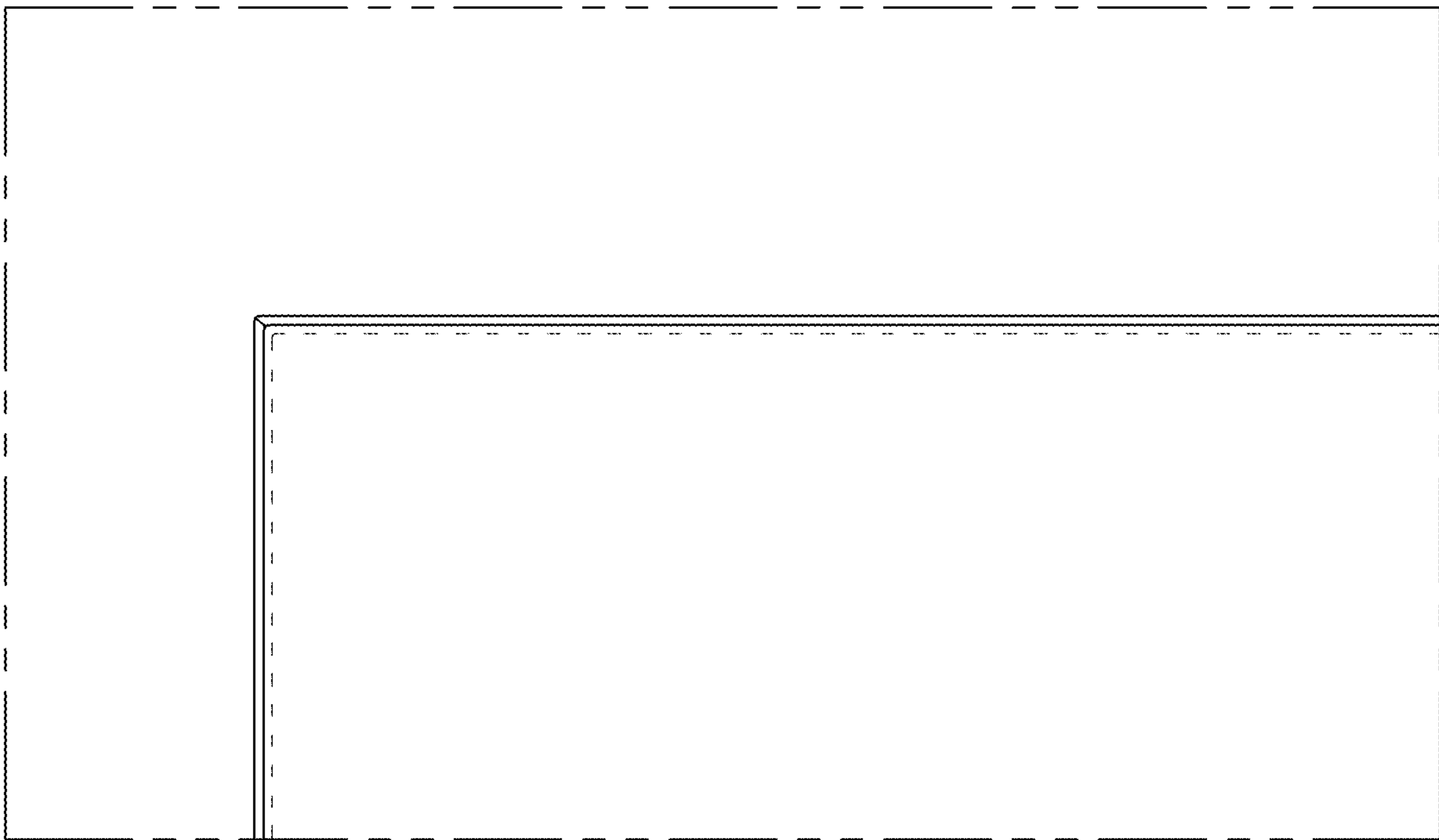


FIG. 36

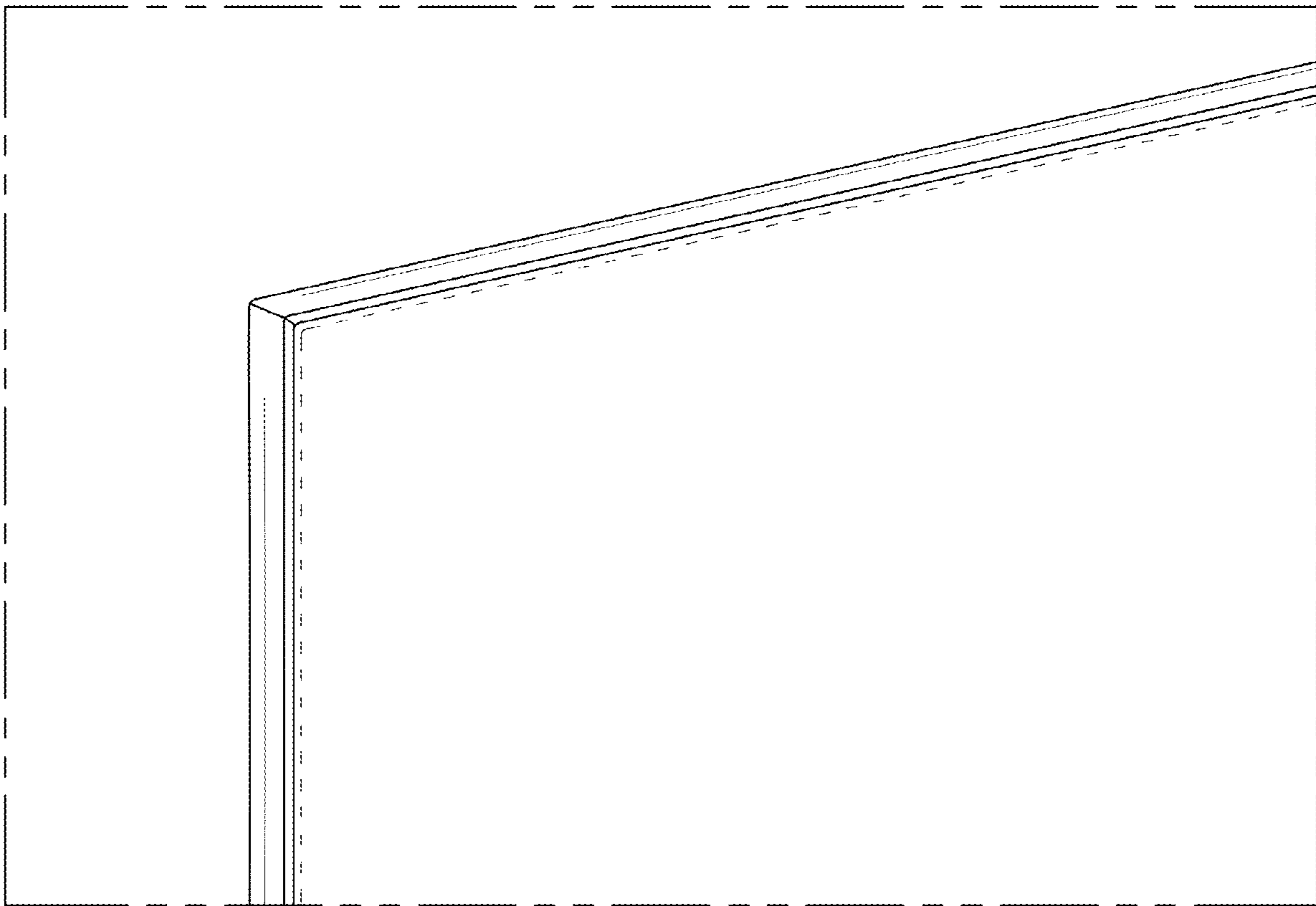


FIG. 37



FIG. 38

