



US00D971913S

(12) **United States Design Patent** (10) **Patent No.:** **US D971,913 S**
Koo et al. (45) **Date of Patent:** **** Dec. 6, 2022**

(54) **TOUCH SCREEN**

FOREIGN PATENT DOCUMENTS

(71) Applicant: **Comcast Cable Communications, LLC**, Philadelphia, PA (US)

JP D1472207 * 6/2013

(72) Inventors: **WonMo Koo**, Philadelphia, PA (US);
Henry Homza, Philadelphia, PA (US);
Michael Jou, Philadelphia, PA (US);
Neil Epstein, Bryn Mawr, PA (US);
Ryan Smalley, Plymouth Meeting, PA (US)

OTHER PUBLICATIONS

Resetting a Frozen Touchscreen Screen, Aug. 10, 2017, [retrieved Aug. 11, 2021], Retrieved from Internet, URL: <<https://forums.xfinity.com/conversations/home-security-control/answered-how-to-restart-the-xfinity-home-touchscreen/602da485c5375f08cd803cf1>> (Year: 2017).*

(73) Assignee: **Comcast Cable Communications, LLC**, Philadelphia, PA (US)

(Continued)

(**) Term: **15 Years**

Primary Examiner — Messina L Smith

Assistant Examiner — Aram Kwon

(74) *Attorney, Agent, or Firm* — BakerHostetler

(21) Appl. No.: **29/673,264**

(22) Filed: **Dec. 13, 2018**

(51) **LOC (13) Cl.** **14-02**

(52) **U.S. Cl.**
USPC **D14/341**

(58) **Field of Classification Search**
USPC D14/138 AA, 138 AB, 138 AC, 138 AD,
D14/138 C, 138 G, 218, 248, 315–318,
D14/341–347, 371, 374; D6/308, 310;
D10/30, 50, 65, 104.1; D18/6–7;
D19/26, 59–60; D21/324, 329–330, 332
CPC ... H04M 1/0202; H04M 1/0266; H04M 1/725
See application file for complete search history.

(56) **References Cited**

U.S. PATENT DOCUMENTS

D576,618 S	*	9/2008	Wong	D14/341
D606,071 S	*	12/2009	Wu	D14/336
D639,267 S	*	6/2011	DeLorenzo	D14/142
D684,970 S	*	6/2013	Zhang	D14/341
D738,875 S	*	9/2015	Seoc	D14/341
D740,804 S	*	10/2015	Hovdal	D14/341
D792,362 S	*	7/2017	Maxwell		
D810,709 S	*	2/2018	Jou		
D819,018 S	*	5/2018	Tsai	D14/341
D875,104 S	*	2/2020	Tivnon	D14/447

(Continued)

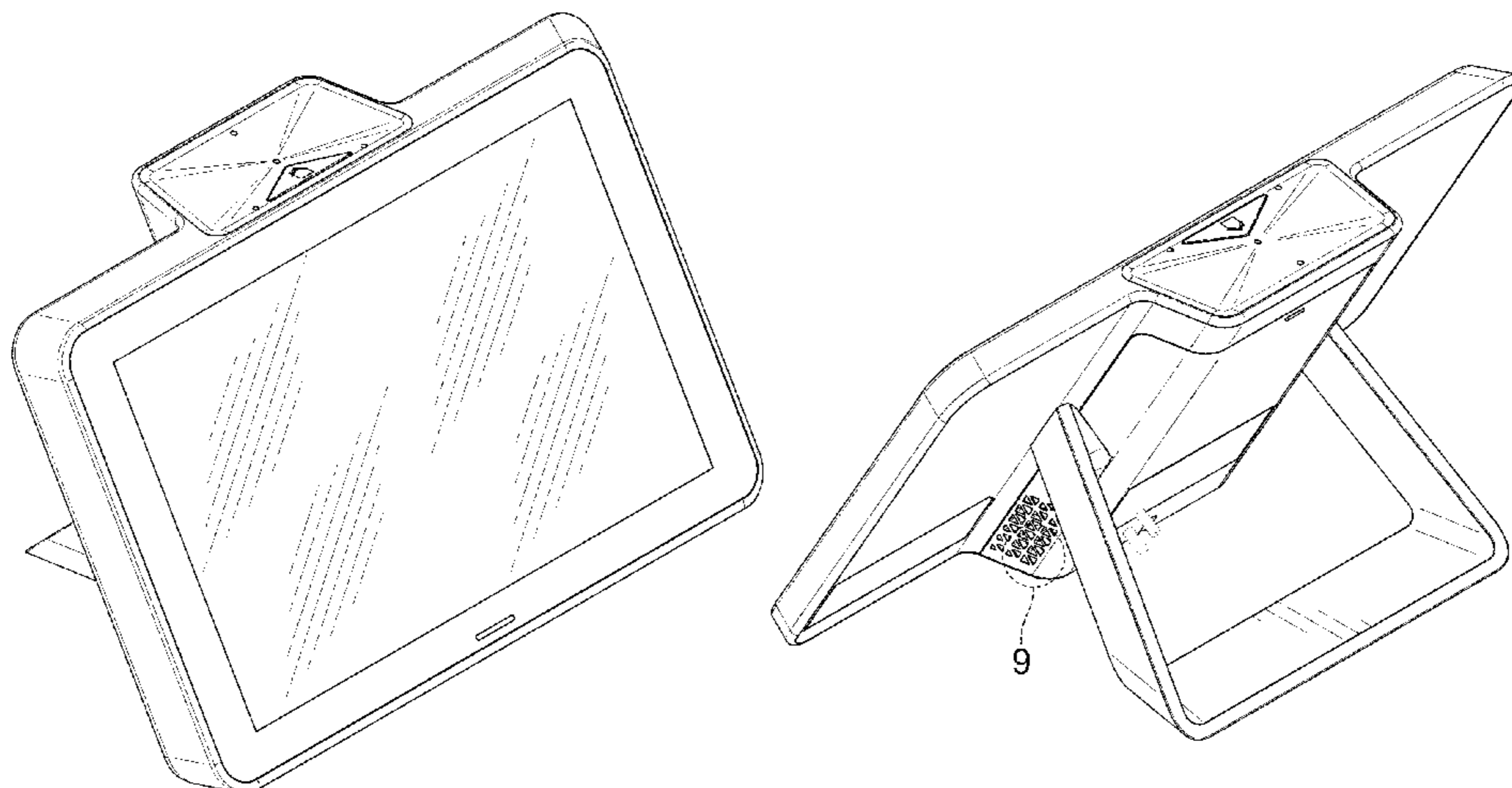
(57) **CLAIM**

The ornamental design for a touch screen, as shown and described.

DESCRIPTION

FIG. 1 is a front perspective view of a touch screen according to the present disclosure;
FIG. 2 is a rear perspective view of the touch screen of FIG. 1;
FIG. 3 is a front view of the touch screen of FIG. 1;
FIG. 4 is a rear view of the touch screen of FIG. 1;
FIG. 5 is a top view of the touch screen of FIG. 1;
FIG. 6 is a bottom view of the touch screen of FIG. 1;
FIG. 7 is a right side view of the touch screen of FIG. 1;
FIG. 8 is a left side view of the touch screen of FIG. 1;
FIG. 9 is an enlarged view of a portion of FIG. 2; and,
FIG. 10 is an enlarged cross-sectional view of the touch screen taken in the direction of line 10-10 in FIG. 8.
The broken lines shown in the drawings depict portions of the touch screen that form no part of the claimed design.

1 Claim, 6 Drawing Sheets



(56)

References Cited

U.S. PATENT DOCUMENTS

D917,465 S * 4/2021 Zhang D14/342
2006/0109617 A1* 5/2006 Chen G06F 1/1626
361/679.55

OTHER PUBLICATIONS

Comcast's new Self Protection plan offers . . . , Nov. 9, 2020, [retrieved Aug. 11, 2021], Retrieved from Internet, URL: <<https://www.slashgear.com/comcasts-new-self-protection-plan-offers-cameras-and-xfinity-integration-09646420/>> (Year: 2020).*

Xfinity Home Security 2021 review, Apr. 24, 2021, [retrieved Aug. 11, 2021], Retrieved from Internet, URL: <<https://www.cnet.com/home/security/xfinity-home-security-2021-review-terrific-blend-of-pro-home-security-and-diy-smart-home/>> (Year: 2021).*

* cited by examiner

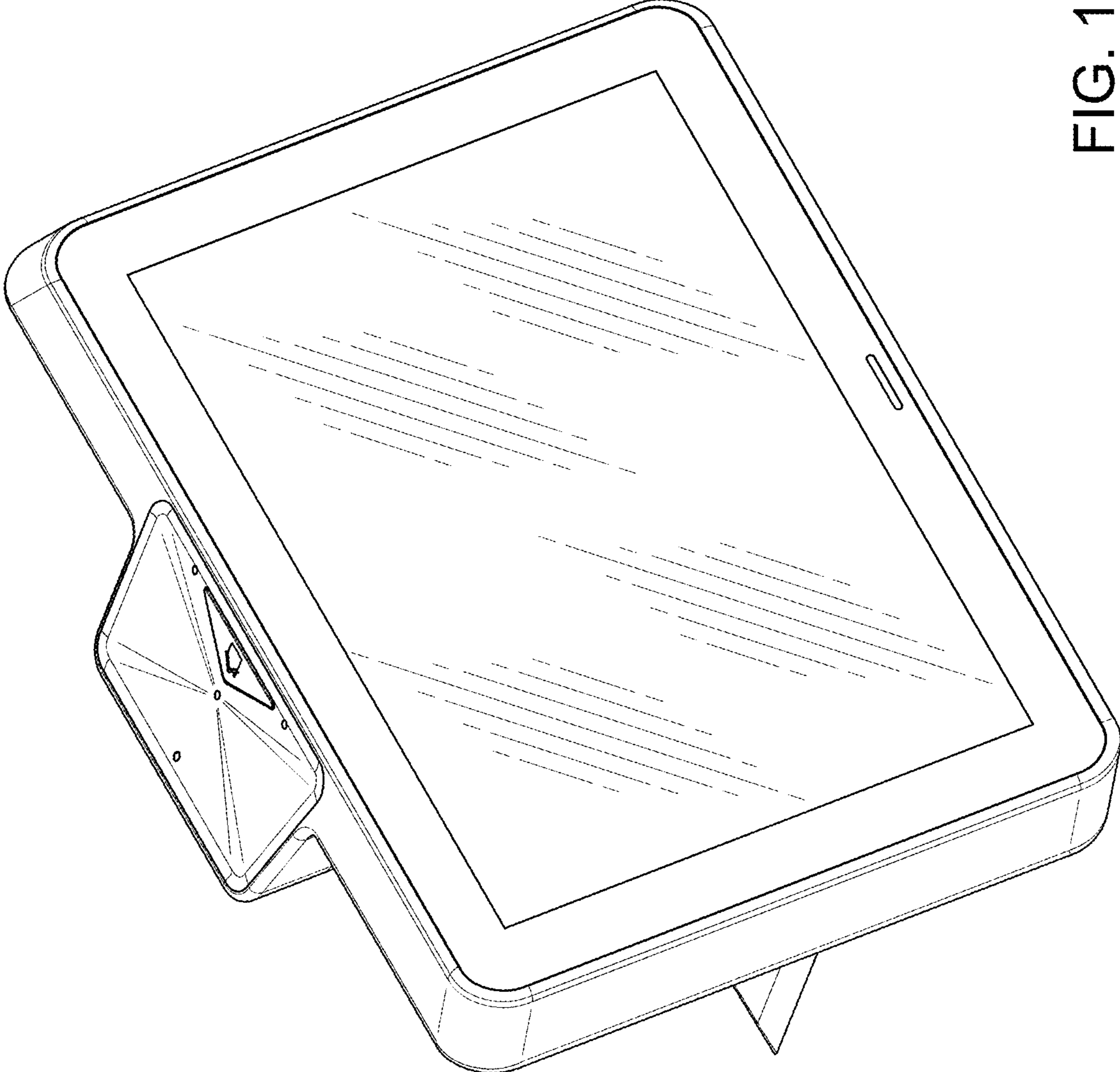


FIG. 1

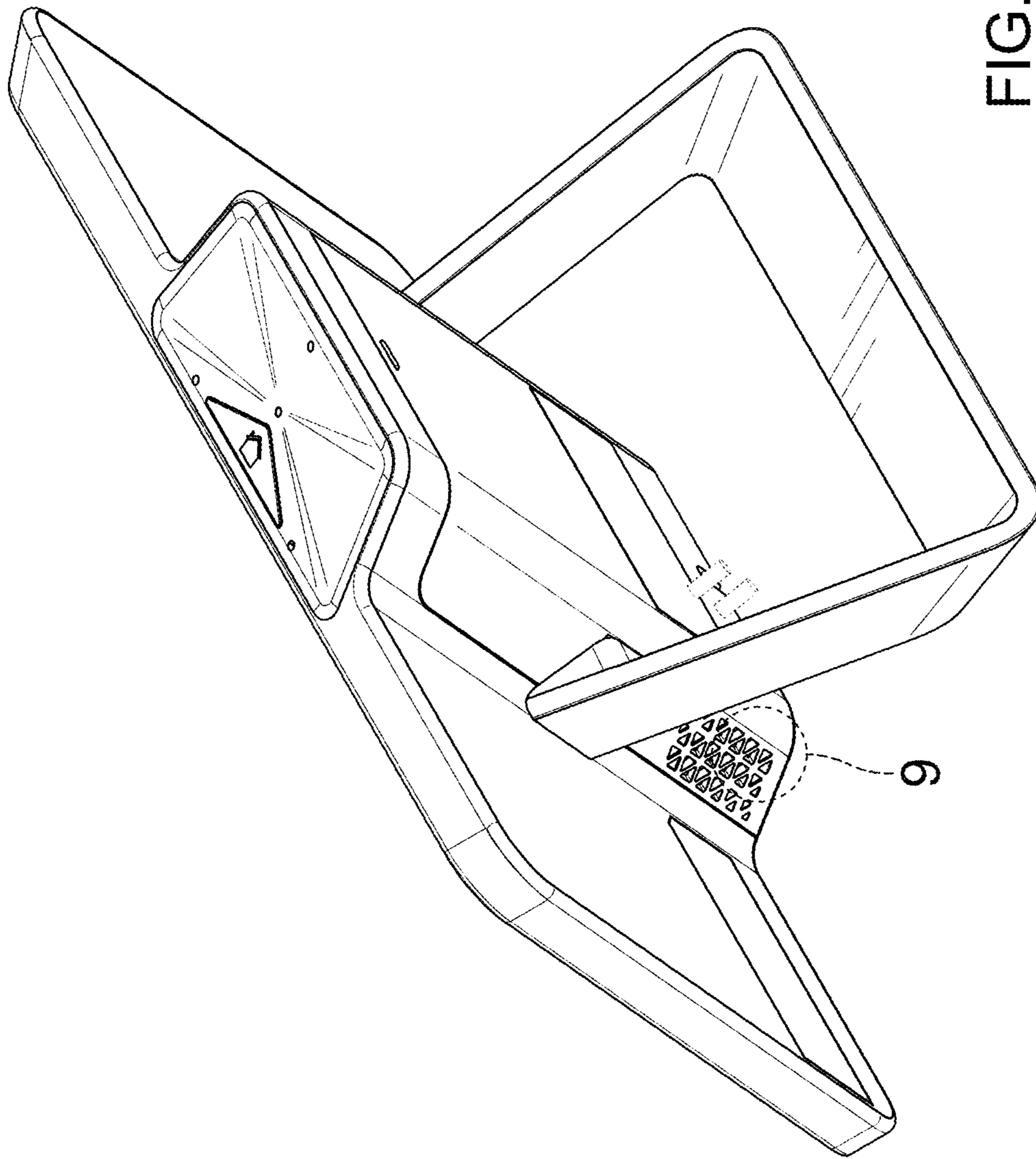


FIG. 2

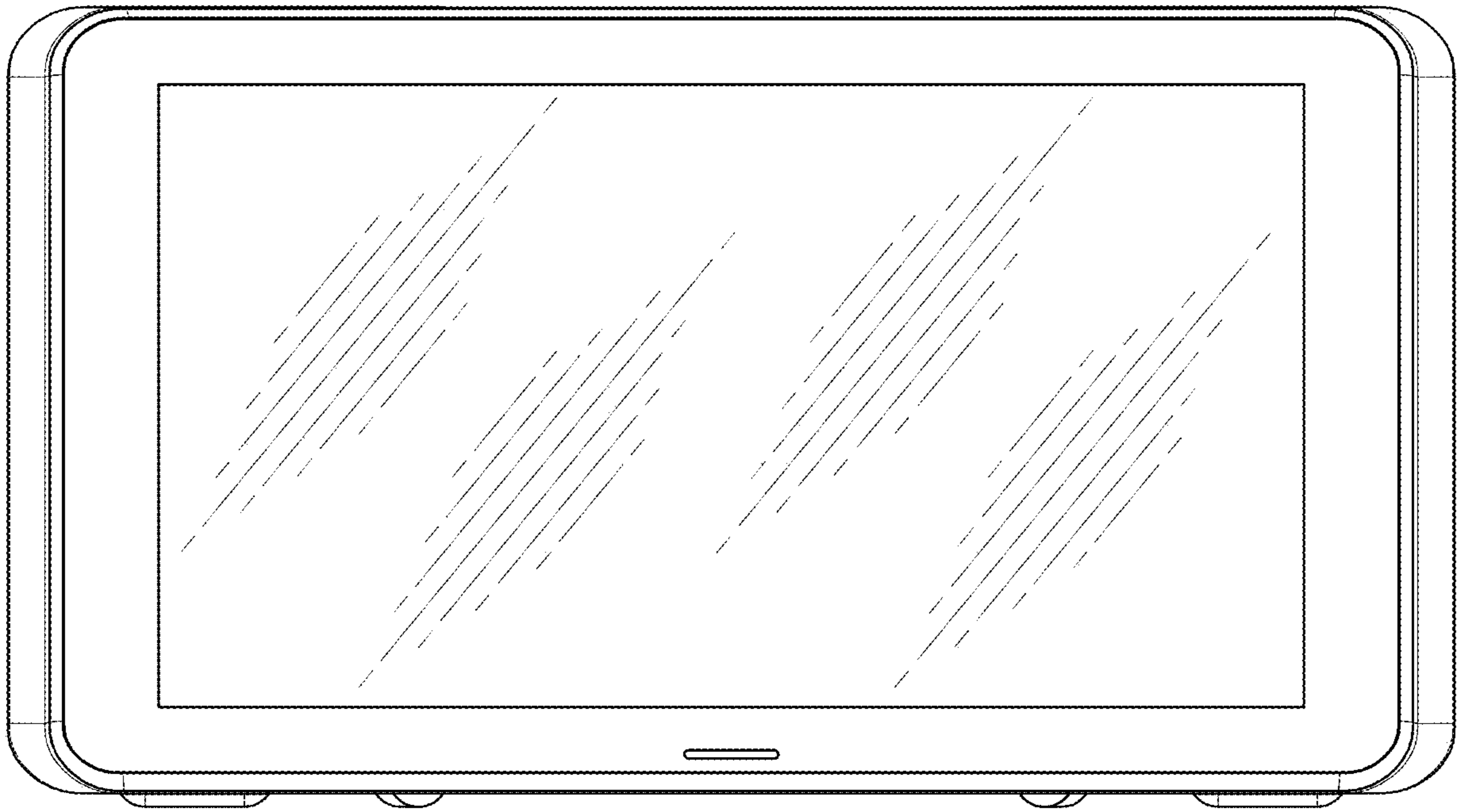


FIG. 3

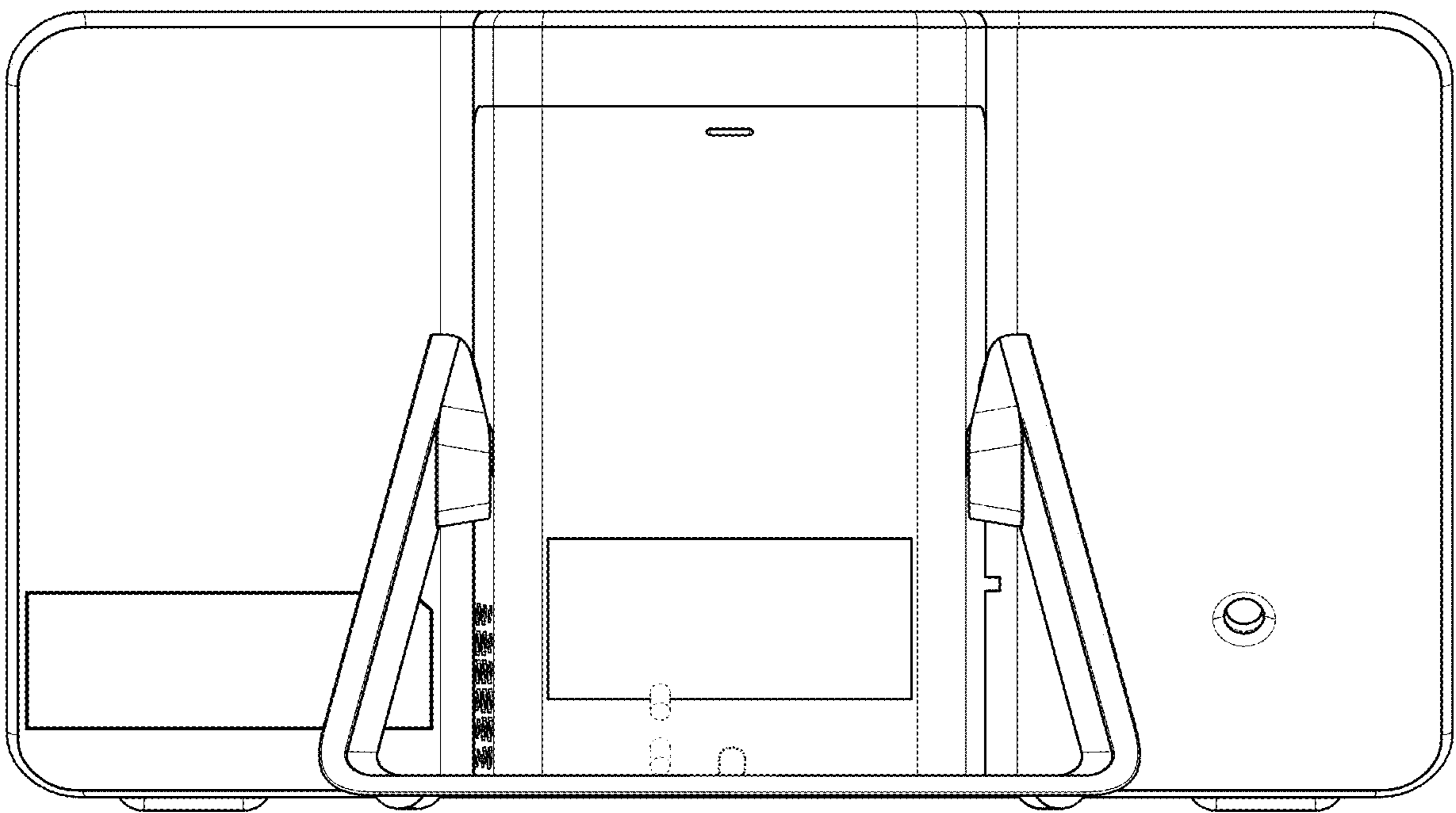


FIG. 4

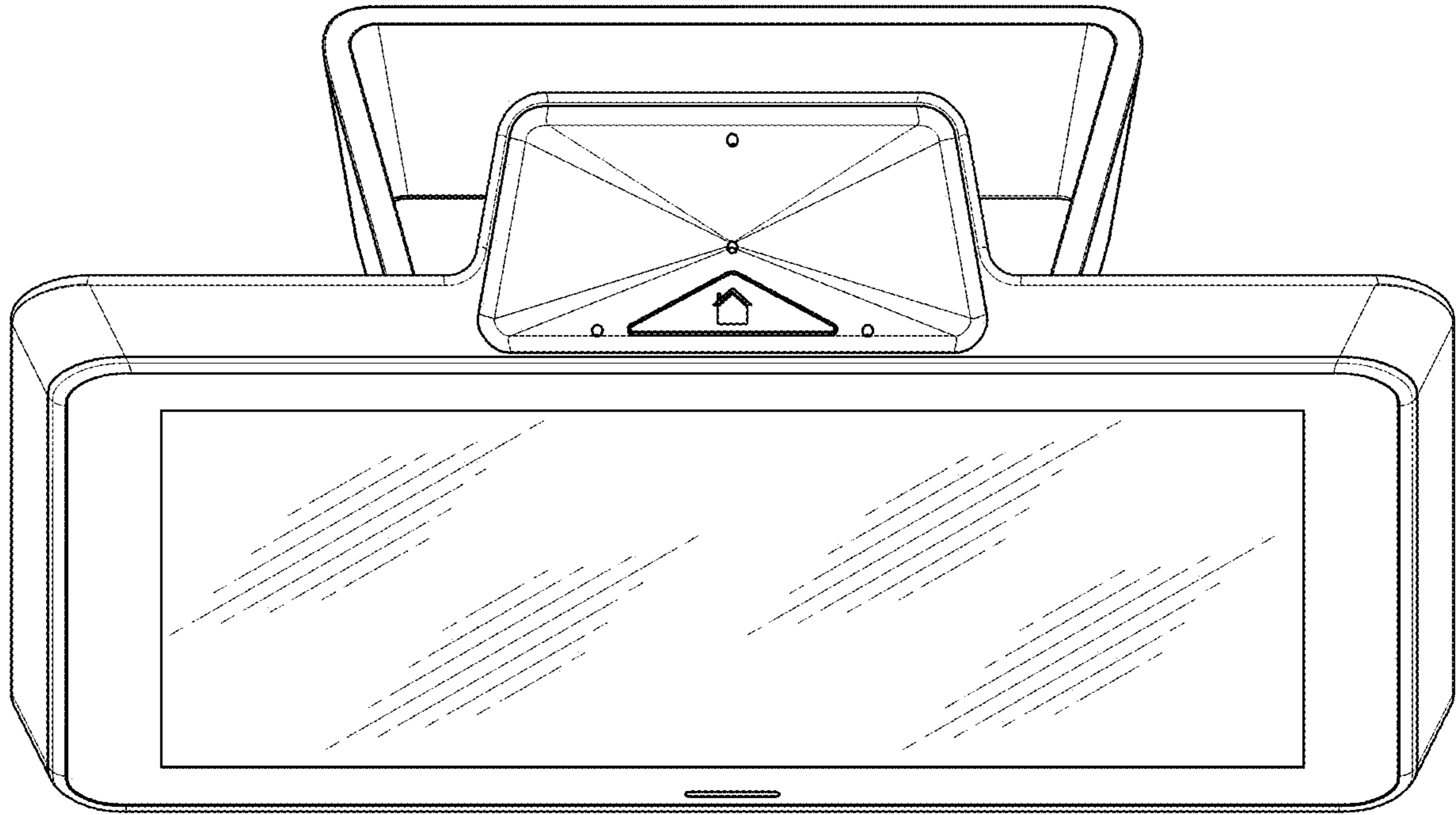


FIG. 5

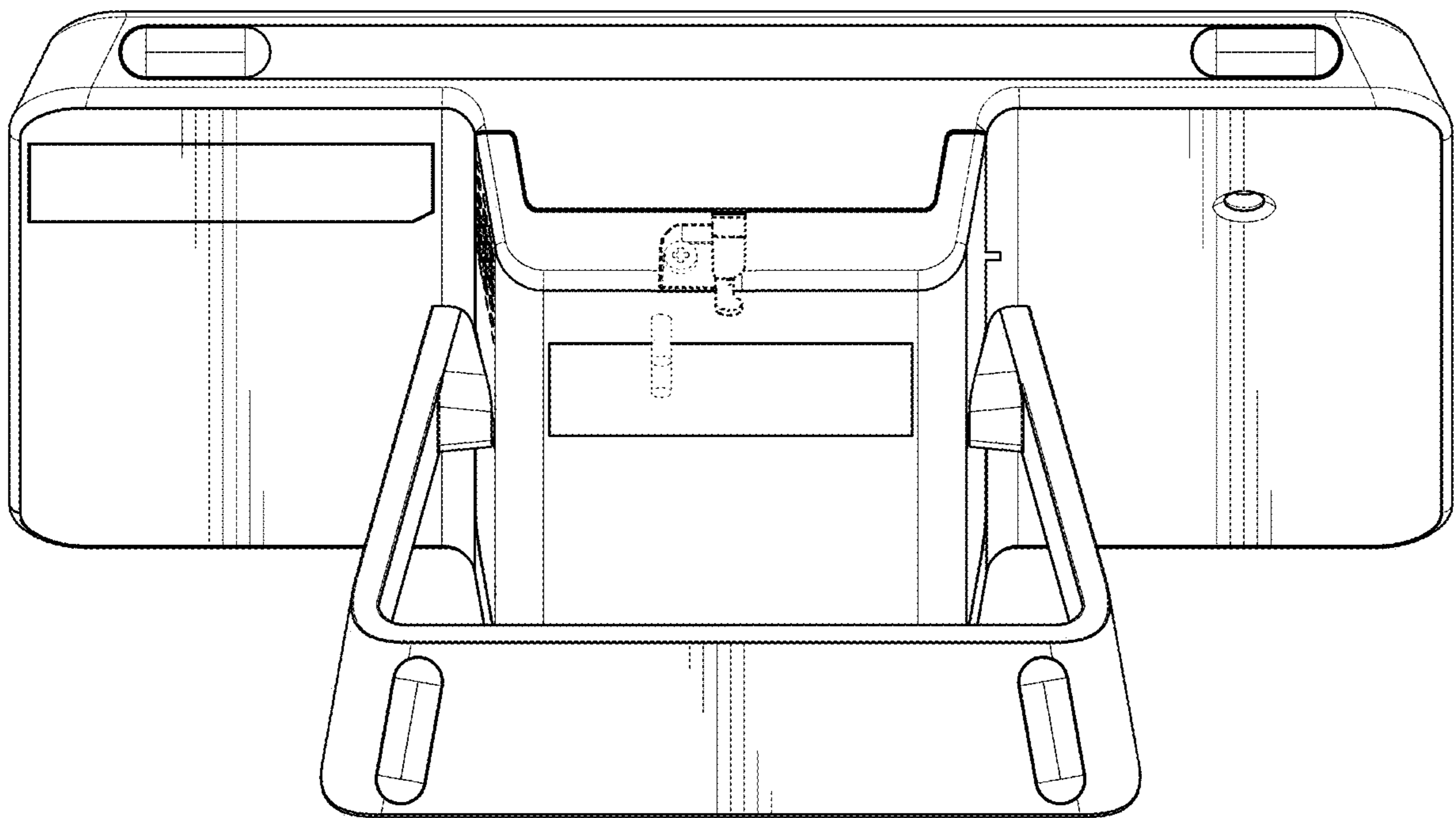
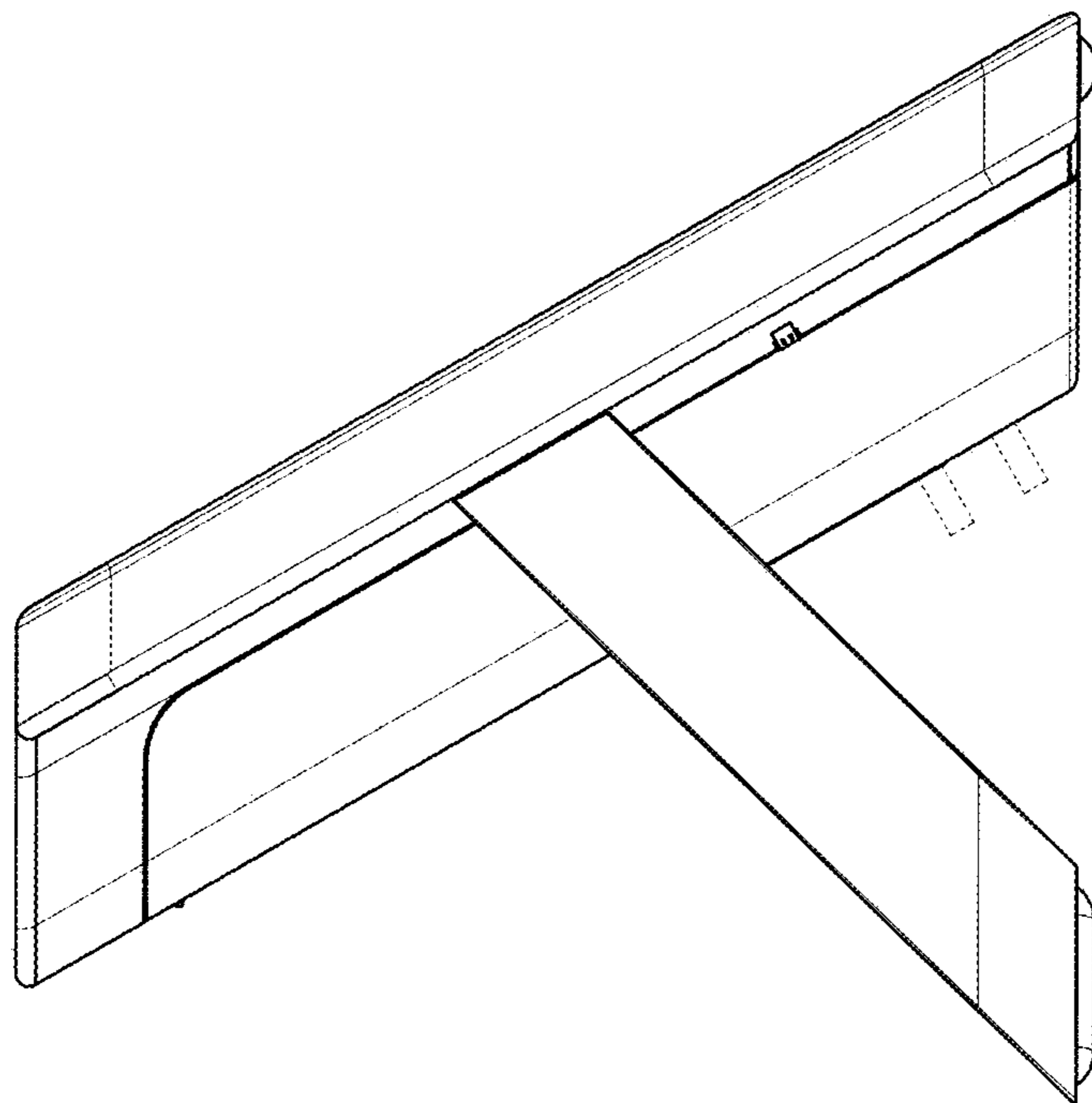
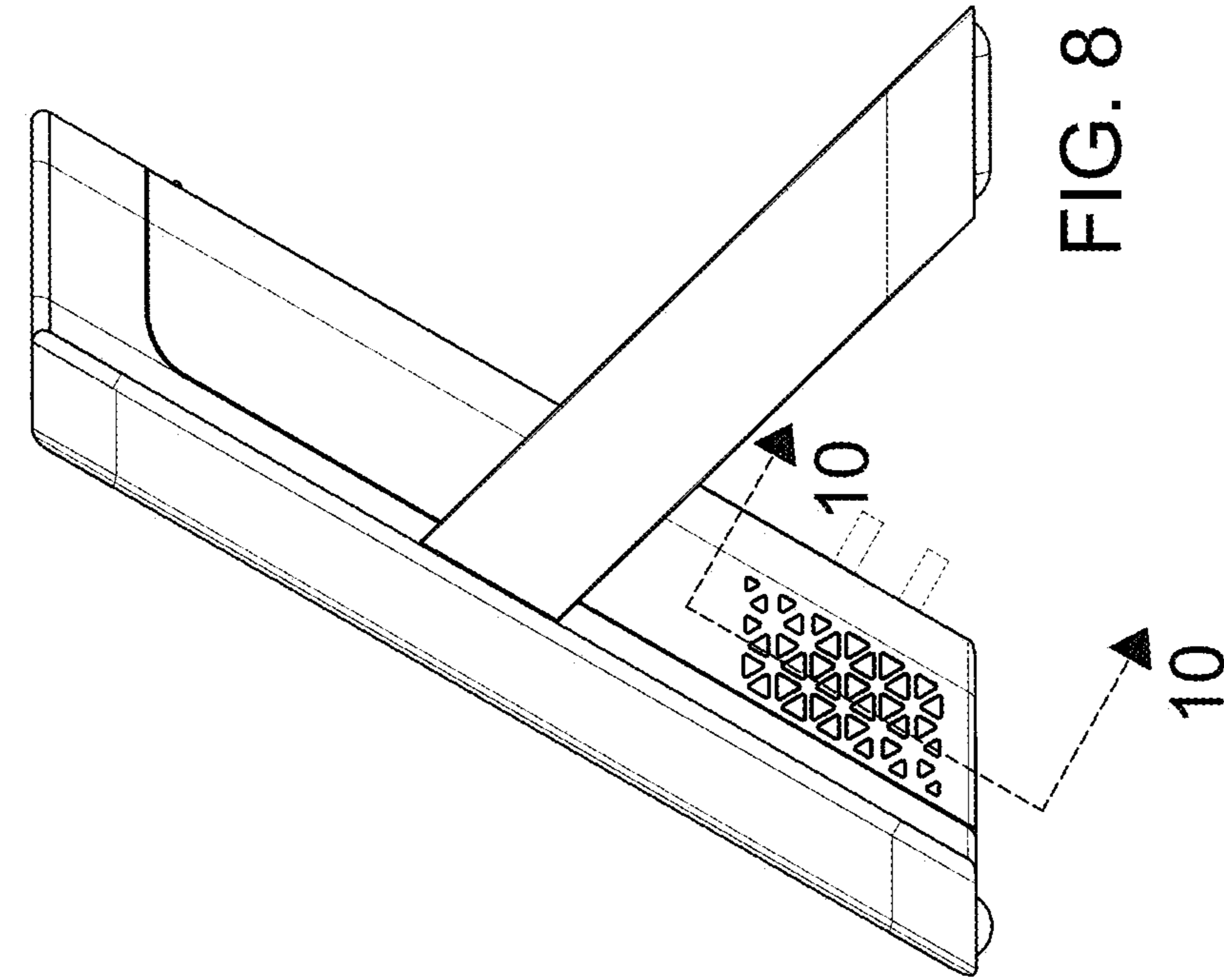


FIG. 6



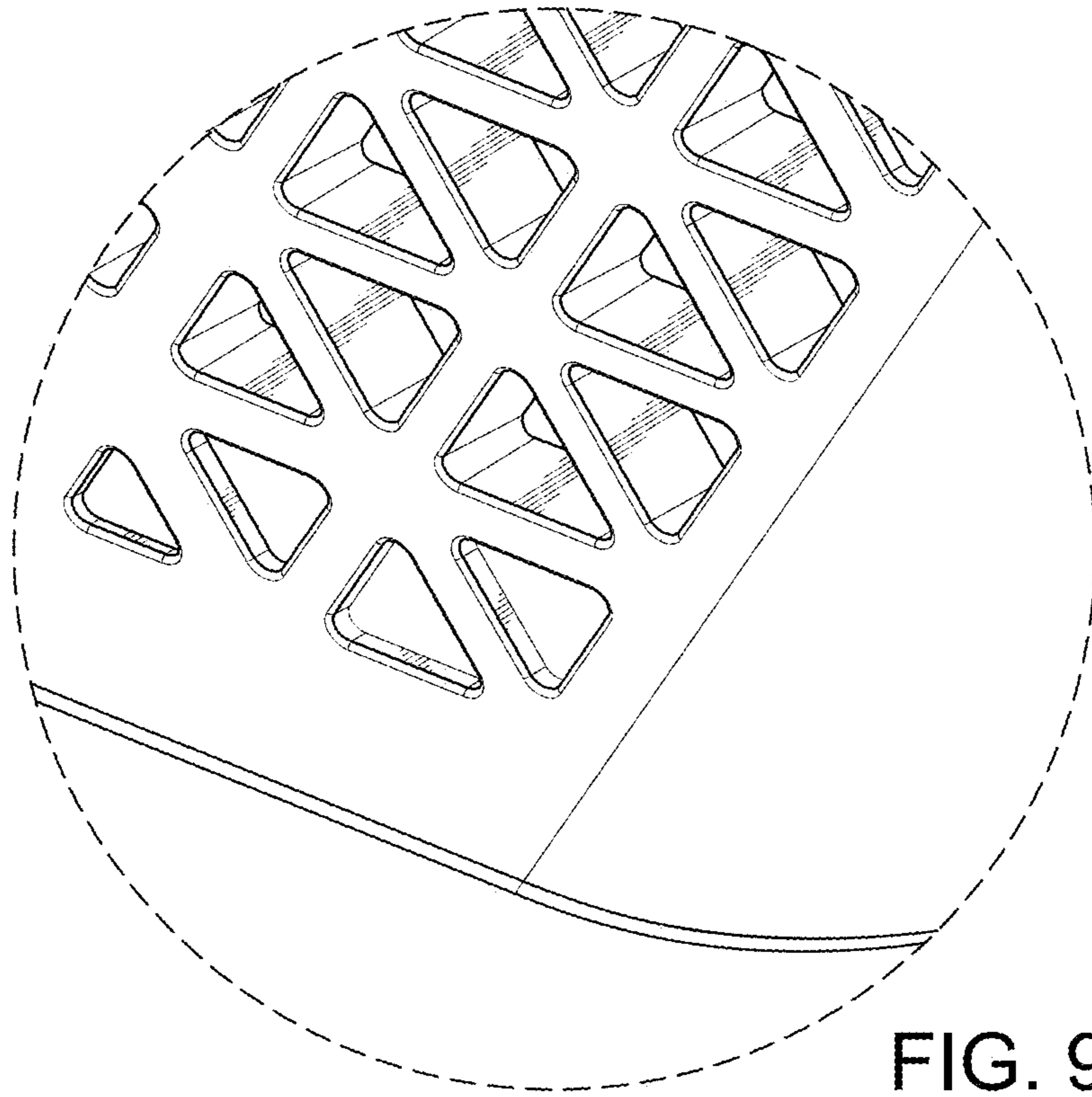


FIG. 9

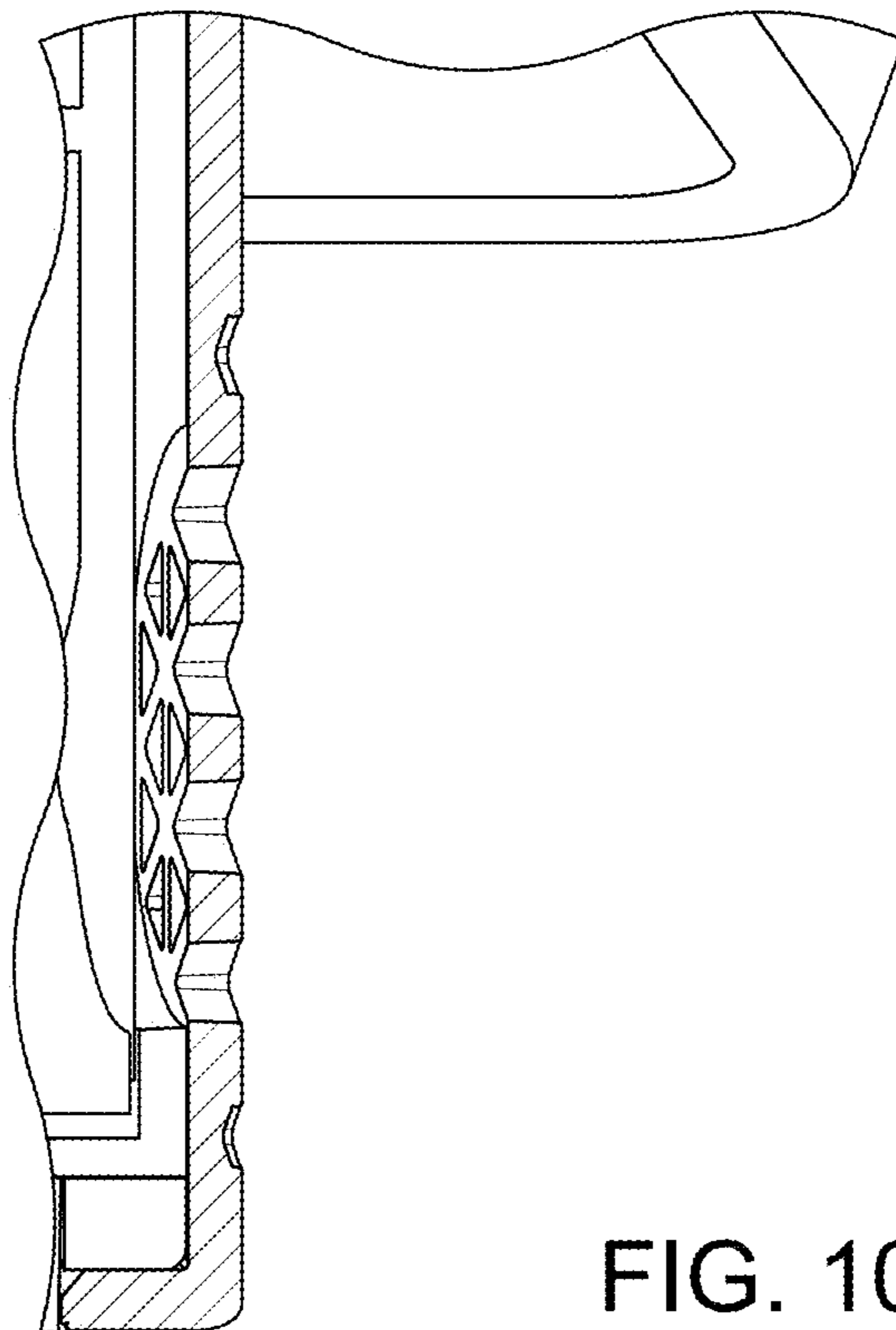


FIG. 10