



US00D971911S

(12) **United States Design Patent** (10) **Patent No.:** **US D971,911 S**
Liu (45) **Date of Patent:** **** Dec. 6, 2022**

(54) **MOBILE PHONE HOLDER**

(71) Applicant: **Sanyuan Liu**, Shenzhen (CN)

(72) Inventor: **Sanyuan Liu**, Shenzhen (CN)

(**) Term: **15 Years**

(21) Appl. No.: **29/797,278**

(22) Filed: **Jun. 30, 2021**

(51) **LOC (13) Cl.** **14-03**

(52) **U.S. Cl.**
USPC **D14/253**

(58) **Field of Classification Search**

USPC D14/217, 248, 251, 252, 253, 432, 434,
D14/440, 447, 457; D12/114, 223, 400,
D12/407, 415, 425

CPC A45F 2200/0516; A45F 2200/0525; A45F
2200/0508; A45F 2200/025; B62J 50/225

See application file for complete search history.

(56) **References Cited**

U.S. PATENT DOCUMENTS

D653,190 S *	1/2012	Richter	D12/407
D684,980 S *	6/2013	Chun	D14/447
D693,352 S *	11/2013	Gelsomini	D14/447
D724,598 S *	3/2015	Gelsomini	D14/447
8,998,048 B1 *	4/2015	Wu	F16M 13/02 224/443
D753,126 S *	4/2016	Alesi	D14/447
9,476,439 B1 *	10/2016	Liao	H04M 1/04
D780,743 S *	3/2017	Chun	D14/447
D862,454 S *	10/2019	Chun	D12/415
D897,334 S *	9/2020	Peng	D14/253
D903,652 S *	12/2020	Qiu	D14/253
D916,694 S *	4/2021	Xiao	D14/253
D931,849 S *	9/2021	Qiu	D14/253
D949,841 S *	4/2022	Qiu	D12/407
D949,842 S *	4/2022	Qiu	D12/407
D959,420 S *	8/2022	Gan	D14/253
2014/0061270 A1 *	3/2014	Richter	B62J 11/00 224/420

OTHER PUBLICATIONS

Amazon.com _ Axiba Bike Phone Mount Holder, first available Jun. 6, 2020 [online], retrieved Sep. 9, 2022, available at URL: <https://a.co/d/7MlrB92> (Year: 2020).*

Amazon.com_ BSPORTBLE Fish Finder Mount, first available Jul. 6, 2020 [online], retrieved Sep. 9, 2022, available at URL: <https://a.co/d/9GLSVxA> (Year: 2020).*

Amazon.com_ iBOLT TabDock Bizmount AMPs—Heavy Duty Drill Base Mount, first available Mar. 19, 2018 [online], retrieved Sep. 9, 2022, available at URL: <https://a.co/d/0LBUowE> (Year: 2018).*

Amazon.com_ ROCKBROS Bike Phone Holder, first available Apr. 1, 2020 [online], retrieved Aug. 24, 2022, available at URL: <https://a.co/d/1bK1uTa> (Year: 2020).*

* cited by examiner

Primary Examiner — Wendy L Arminio

Assistant Examiner — Carrie S Gelula

(57) **CLAIM**

The ornamental design for a mobile phone holder, as shown and described.

DESCRIPTION

FIG. 1 is a perspective view of a mobile phone holder showing my new design;

FIG. 2 is another perspective view thereof;

FIG. 3 is a front elevational view thereof;

FIG. 4 is a rear elevational view thereof;

FIG. 5 is a left side elevational view thereof;

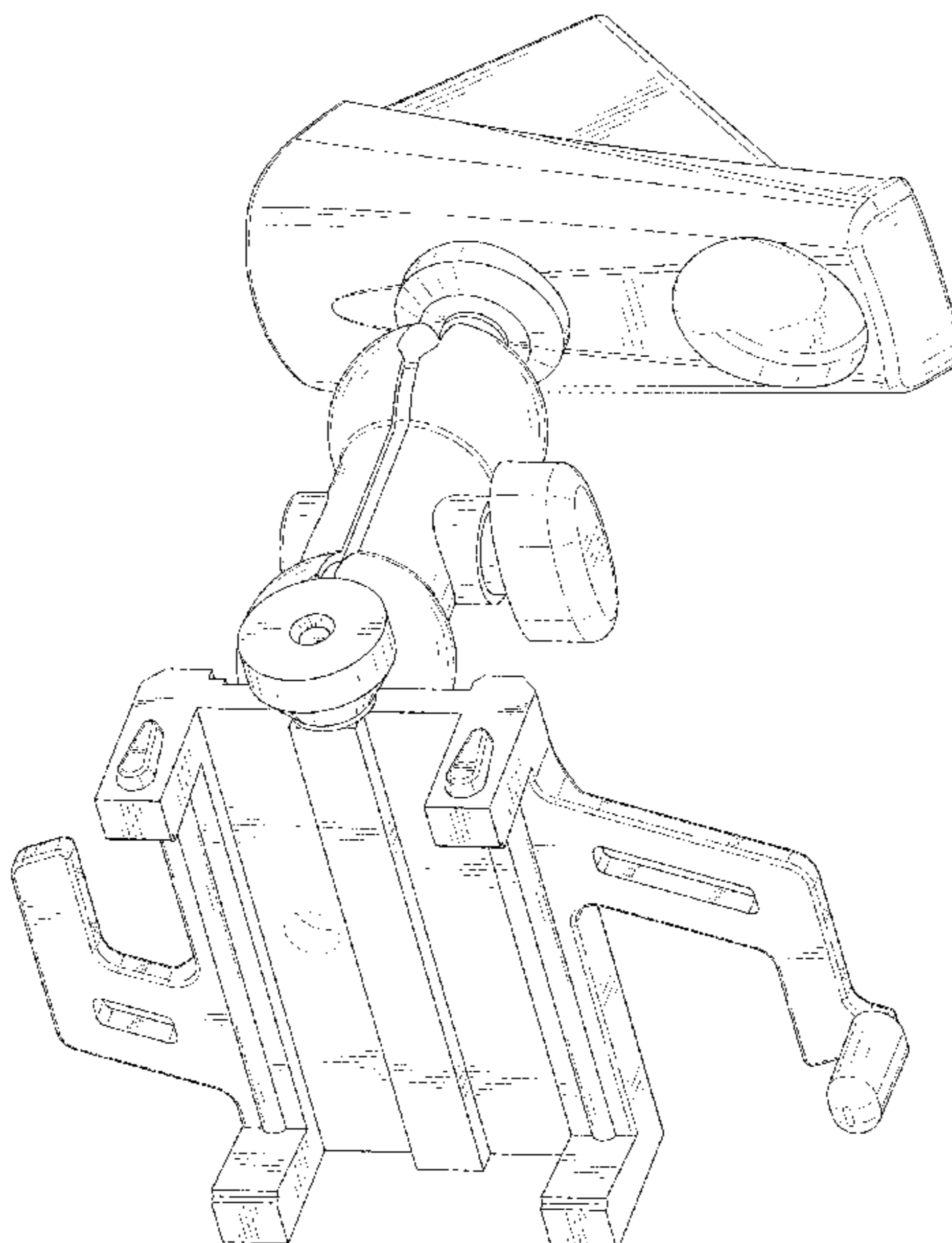
FIG. 6 is a right side elevational view thereof;

FIG. 7 is a top plan view thereof; and,

FIG. 8 is a bottom plan view thereof.

The broken lines in the drawings depict portions of the mobile phone holder that form no part of the claimed design.

1 Claim, 8 Drawing Sheets



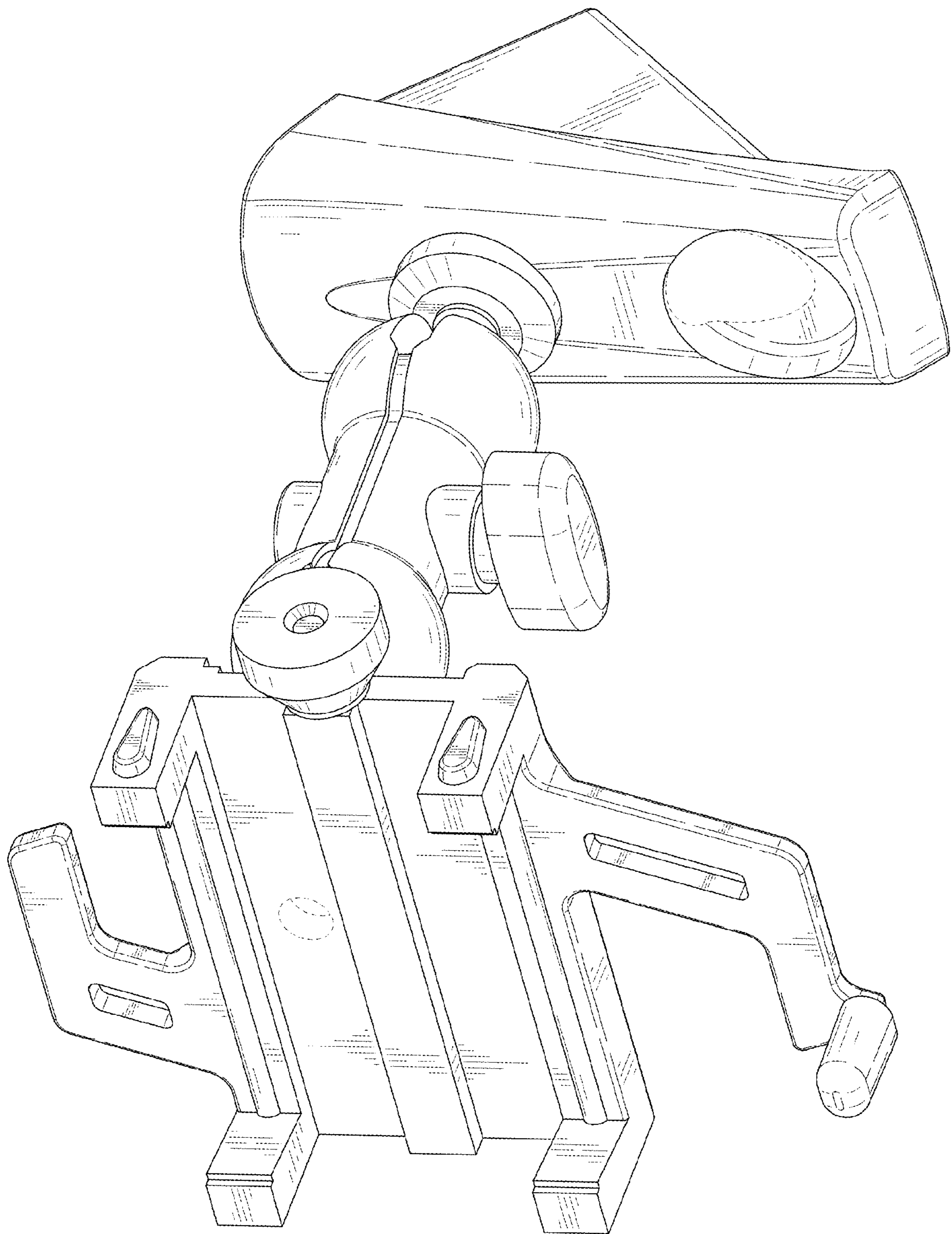


FIG. 1

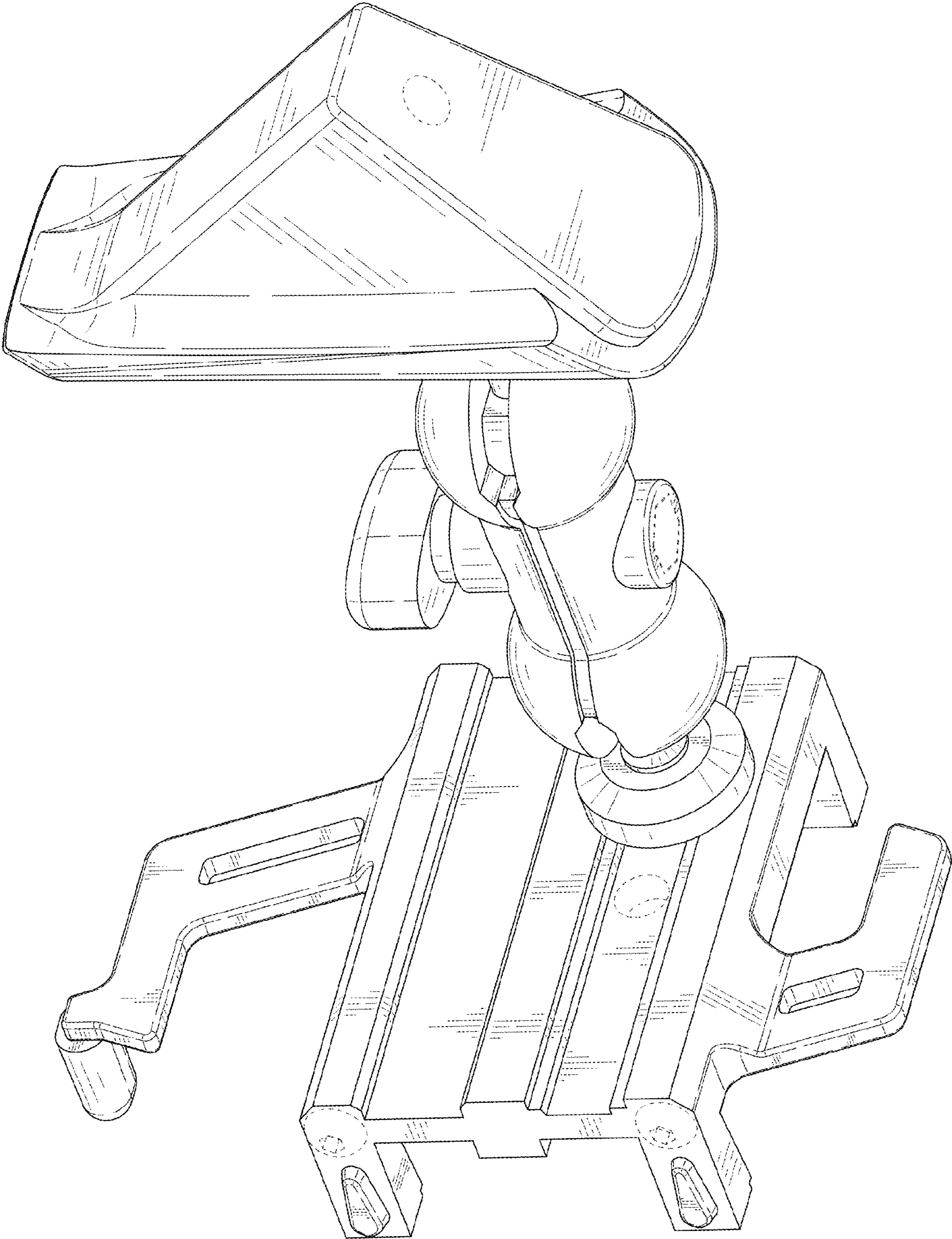


FIG. 2

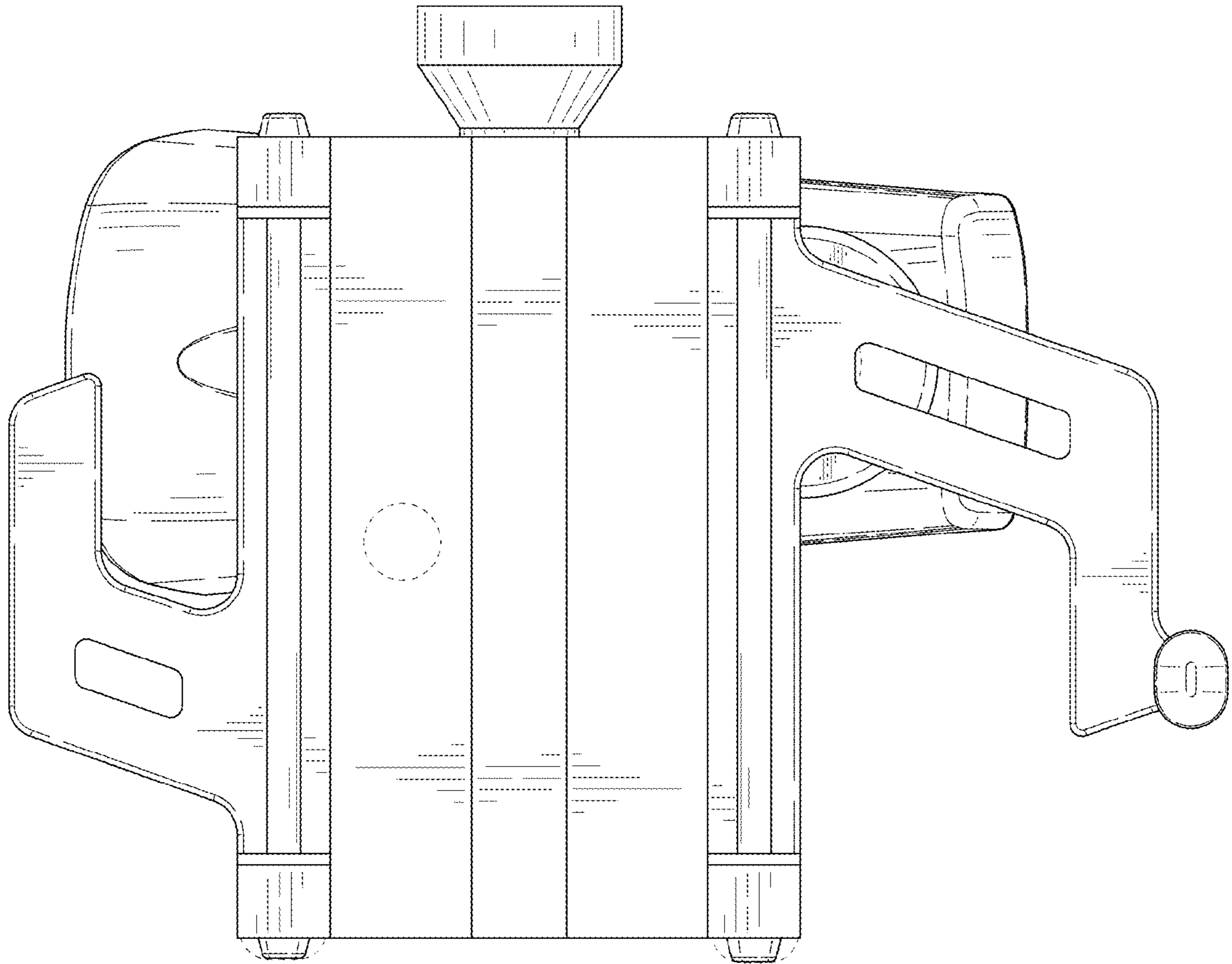


FIG. 3

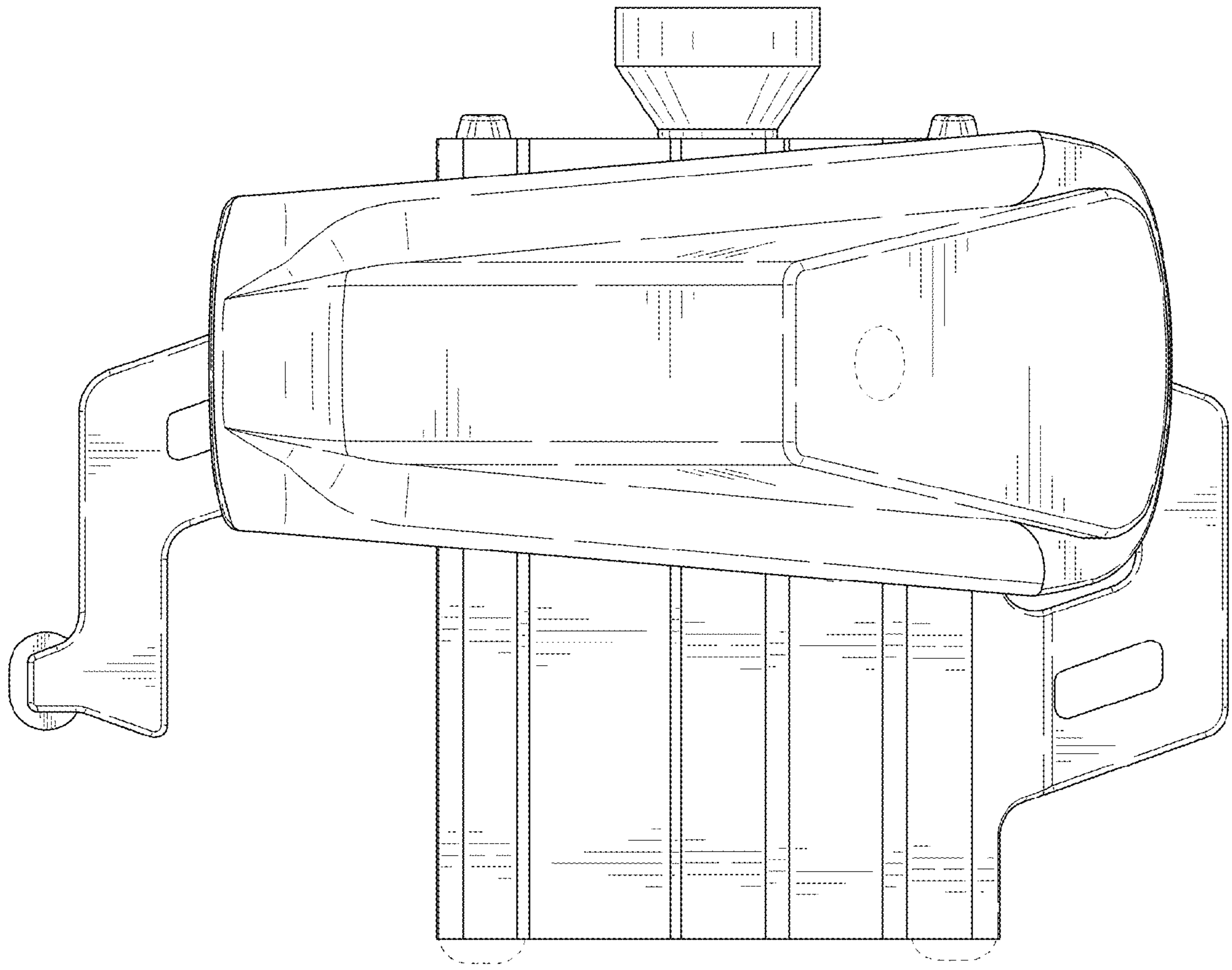


FIG. 4

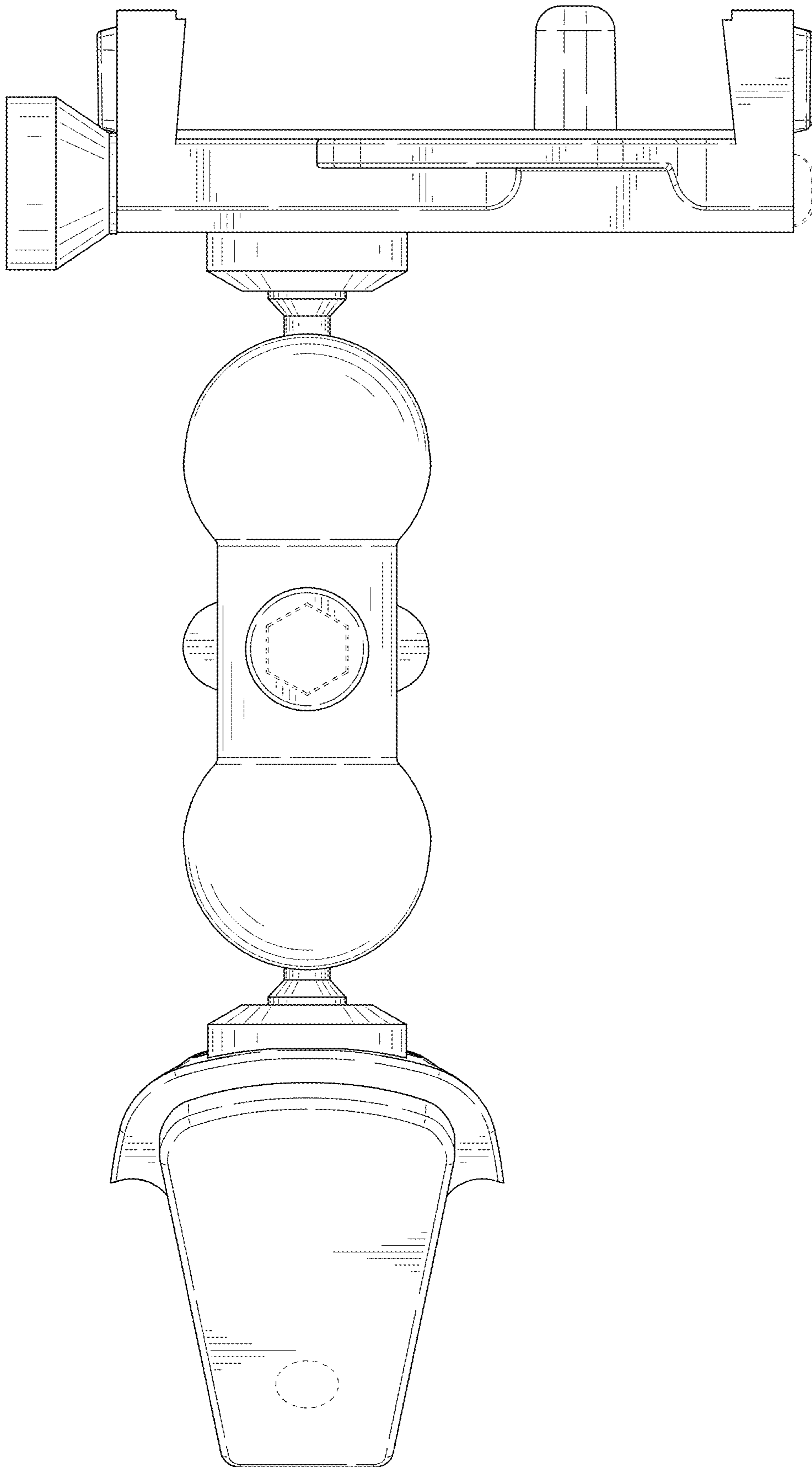


FIG. 5

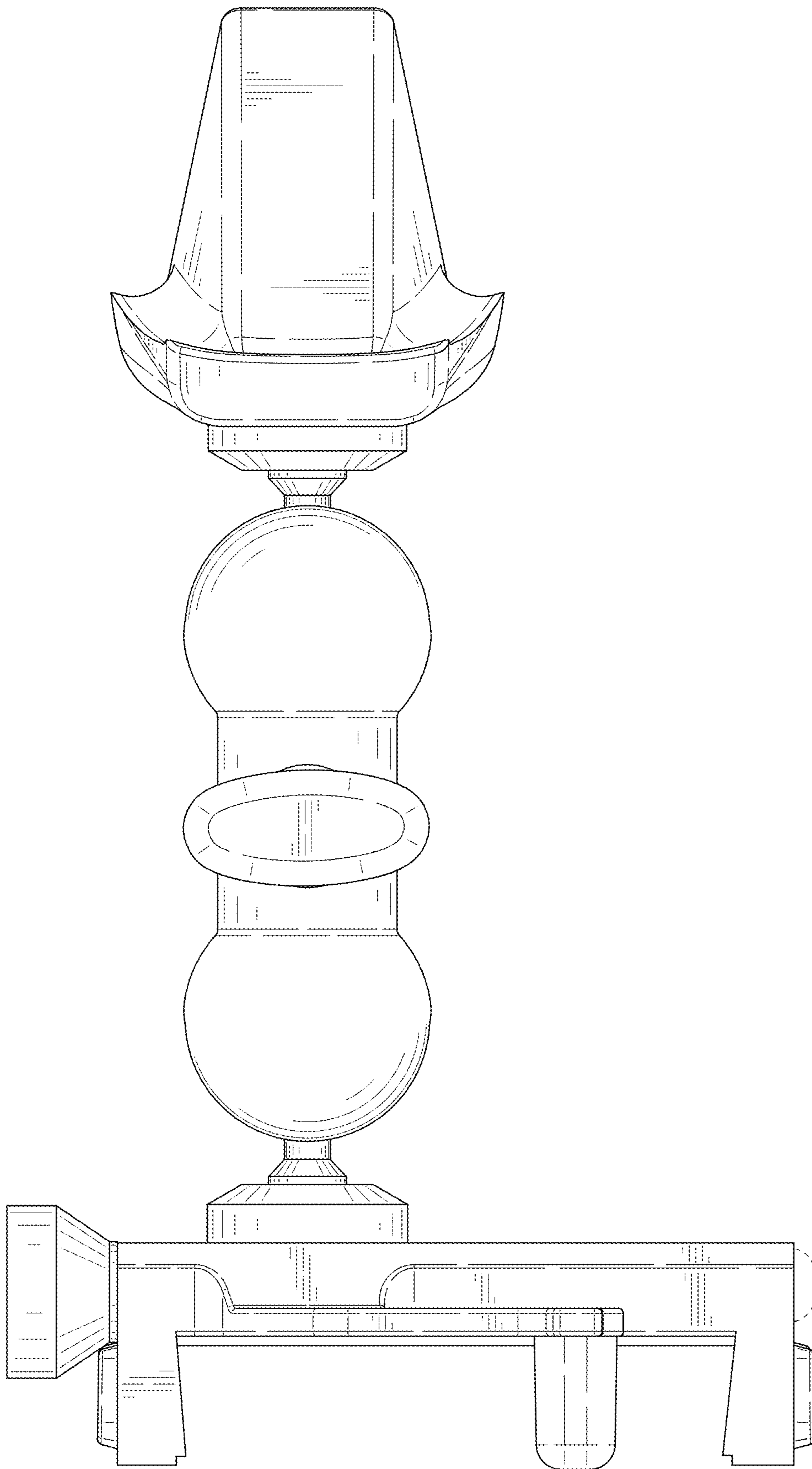


FIG. 6

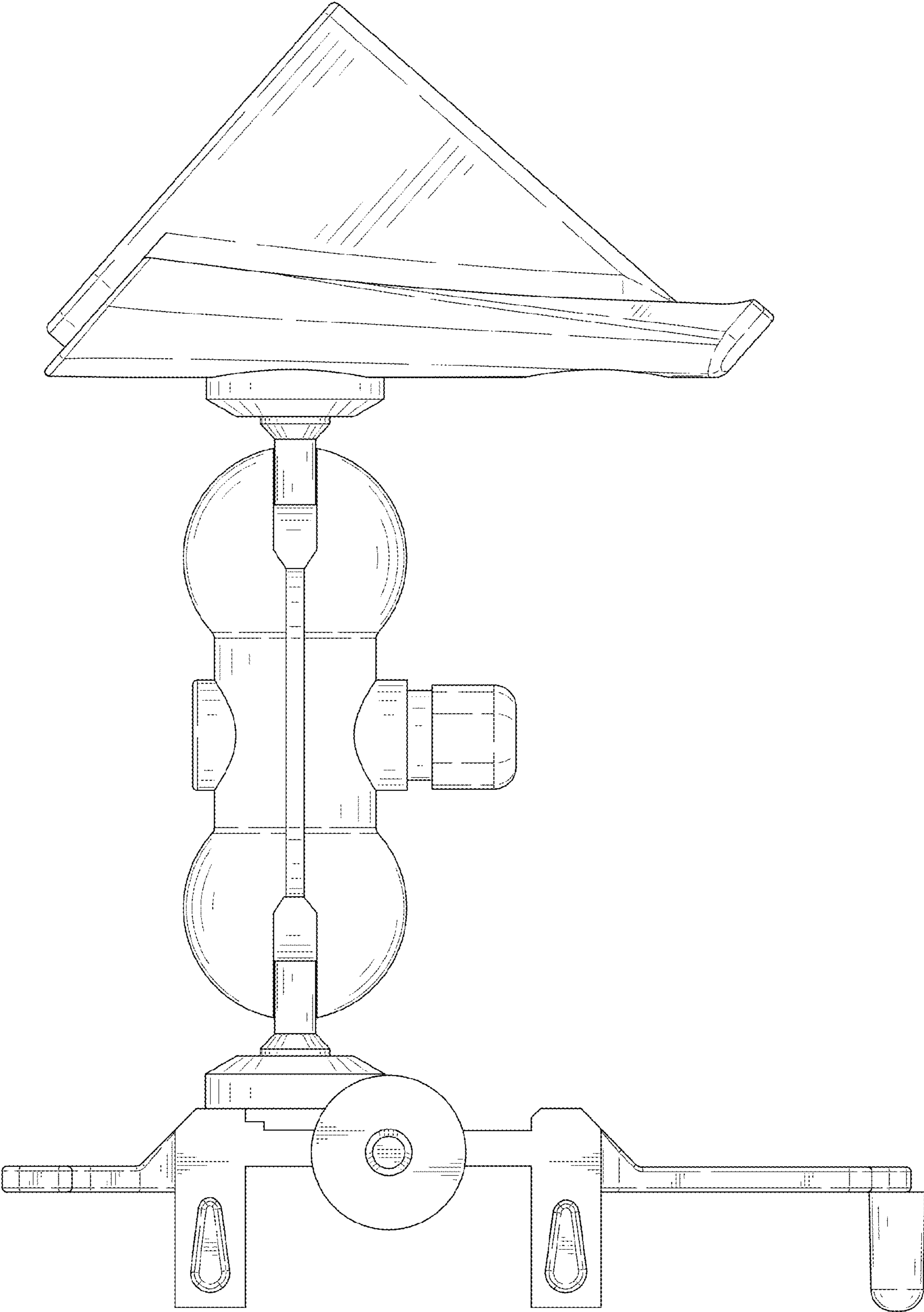


FIG. 7

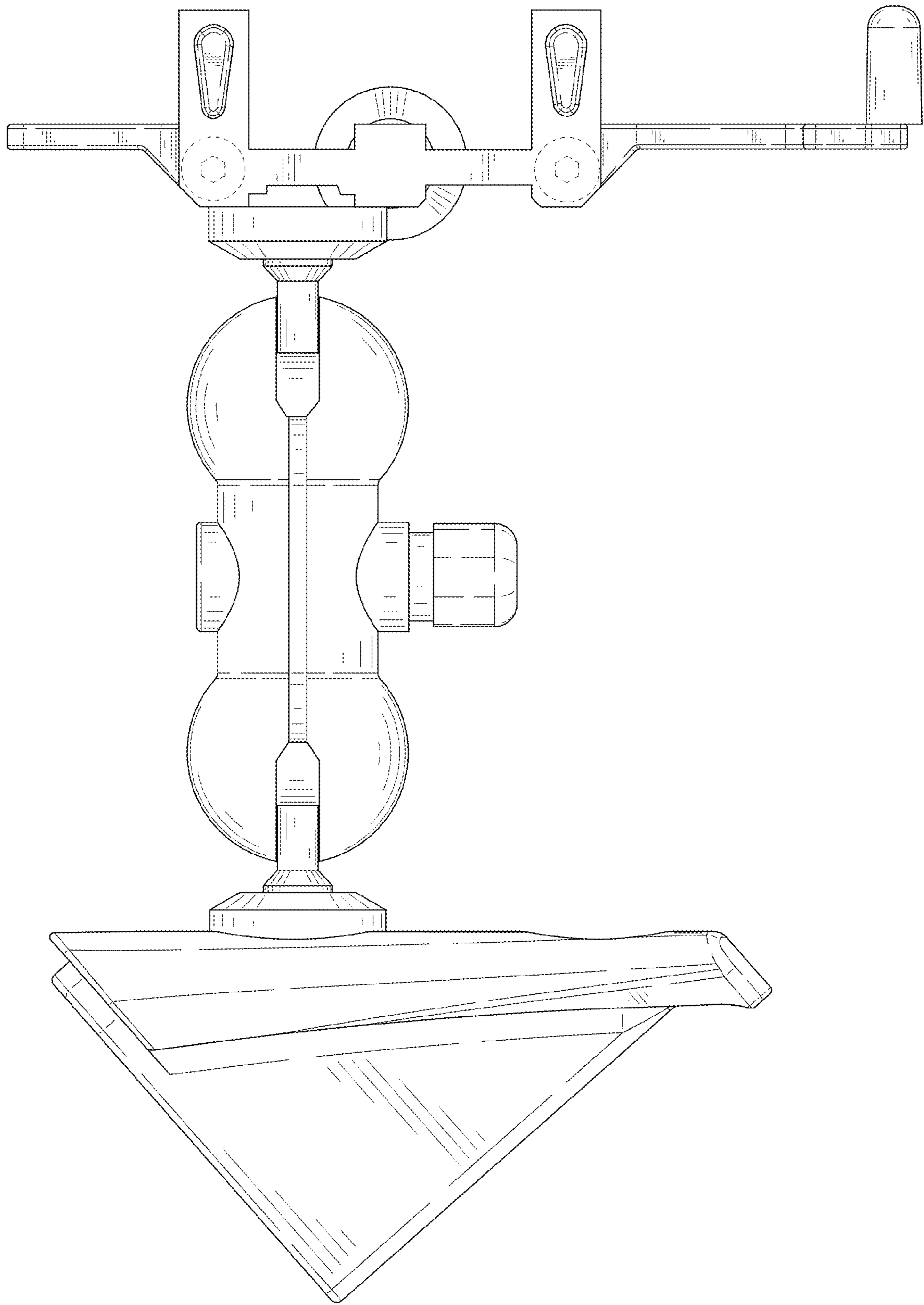


FIG. 8