



US00D971909S

(12) **United States Design Patent** (10) **Patent No.:** **US D971,909 S**
Min et al. (45) **Date of Patent:** **** Dec. 6, 2022**

(54) **PHONE WALLET CASE**
(71) Applicant: **Guizhou Yuechenshuo Technology Co., Ltd., Guiyang (CN)**
(72) Inventors: **Chun Min, Bijie (CN); Yingbi Min, Bijie (CN)**
(73) Assignee: **Guizhou Yuechenshuo Technology Co., Ltd., Guiyang (CN)**
(**) Term: **15 Years**
(21) Appl. No.: **29/823,296**
(22) Filed: **Jan. 15, 2022**
(51) **LOC (13) Cl.** **14-03**
(52) **U.S. Cl.**
USPC **D14/250; D3/249**
(58) **Field of Classification Search**
USPC D14/203.3–203.7, 439, 447, 251–253, D14/217, 240, 238.1, 440, 248, 250; D13/103, 107–108, 119; D3/201, 218, D3/247, 249, 269, 273, 301, 303
CPC H04B 1/3888; A45C 13/02; A45C 11/00; A45C 2011/002; A45C 1/06; A45F 2200/0525; A45F 2005/026; A45F 2200/0516; H04M 1/0283; H04M 1/0202
See application file for complete search history.

(56) **References Cited**
U.S. PATENT DOCUMENTS
D688,655 S 8/2013 Rey-Hipolito
D707,219 S * 6/2014 Kim D14/250
9,118,390 B2 * 8/2015 Lin H04B 1/3888
D779,473 S * 2/2017 Lee D14/250
D793,082 S * 8/2017 Zhang D3/249
D804,815 S * 12/2017 Chen D3/247
D814,185 S * 4/2018 Liu D3/249
D824,166 S 7/2018 Sevi
D843,992 S * 3/2019 Lu D14/250

D844,596 S * 4/2019 Liu D14/250
D856,339 S * 8/2019 Huffman D14/440
D856,671 S * 8/2019 Li D3/249
D858,504 S 9/2019 Gellner
D866,179 S * 11/2019 Zhao D3/249
D872,722 S * 1/2020 Zhou D14/250
D880,855 S * 4/2020 Lu D3/249
D891,416 S * 7/2020 Yu D3/249
D892,107 S * 8/2020 Zhao D14/250
D895,599 S * 9/2020 Zhao D14/250
D900,800 S * 11/2020 Sirju D3/249
D903,314 S * 12/2020 Liu D3/249
D903,315 S * 12/2020 Liu D3/249
D908,676 S * 1/2021 Feng D3/249
D917,442 S * 4/2021 Feng D3/249
11,075,662 B2 * 7/2021 Ha H01Q 1/526
D936,357 S * 11/2021 Yang D3/249
D956,033 S * 6/2022 Hu D14/250
2011/0155630 A1 * 6/2011 Qin A45C 11/00
206/701

* cited by examiner

Primary Examiner — Carla J Wright
(74) *Attorney, Agent, or Firm* — Jeenam Park

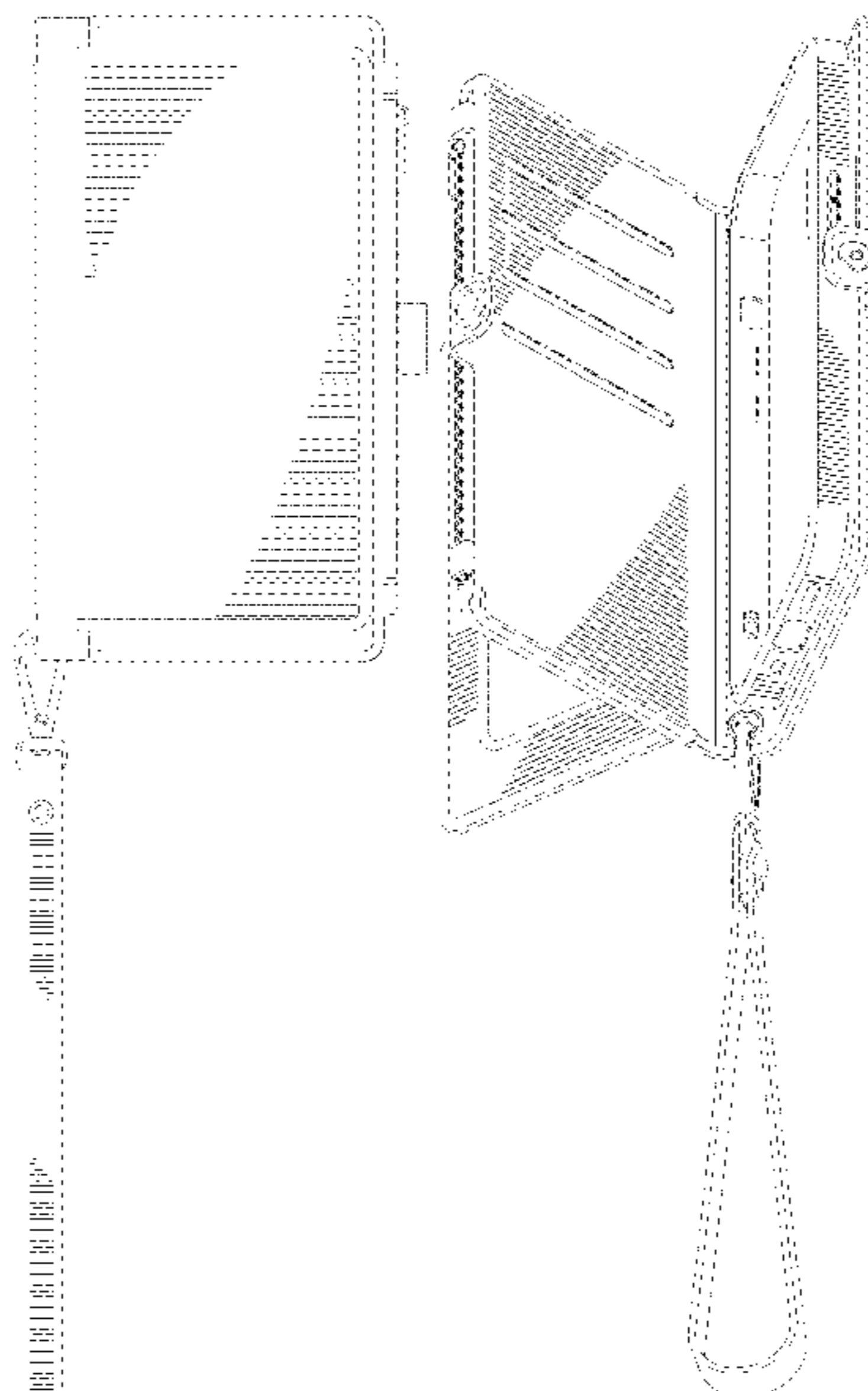
(57) **CLAIM**

The ornamental design for a phone wallet case, as shown and described.

DESCRIPTION

FIG. 1 is a front view of a phone wallet case, showing my new design;
FIG. 2 is a rear view thereof;
FIG. 3 is a left side view thereof;
FIG. 4 is a right side view thereof;
FIG. 5 is a top plan view thereof;
FIG. 6 is a bottom plan view thereof;
FIG. 7 is a perspective view thereof;
FIG. 8 is another perspective view; and,
FIG. 9 is a perspective view showing the design in an open configuration.

1 Claim, 9 Drawing Sheets



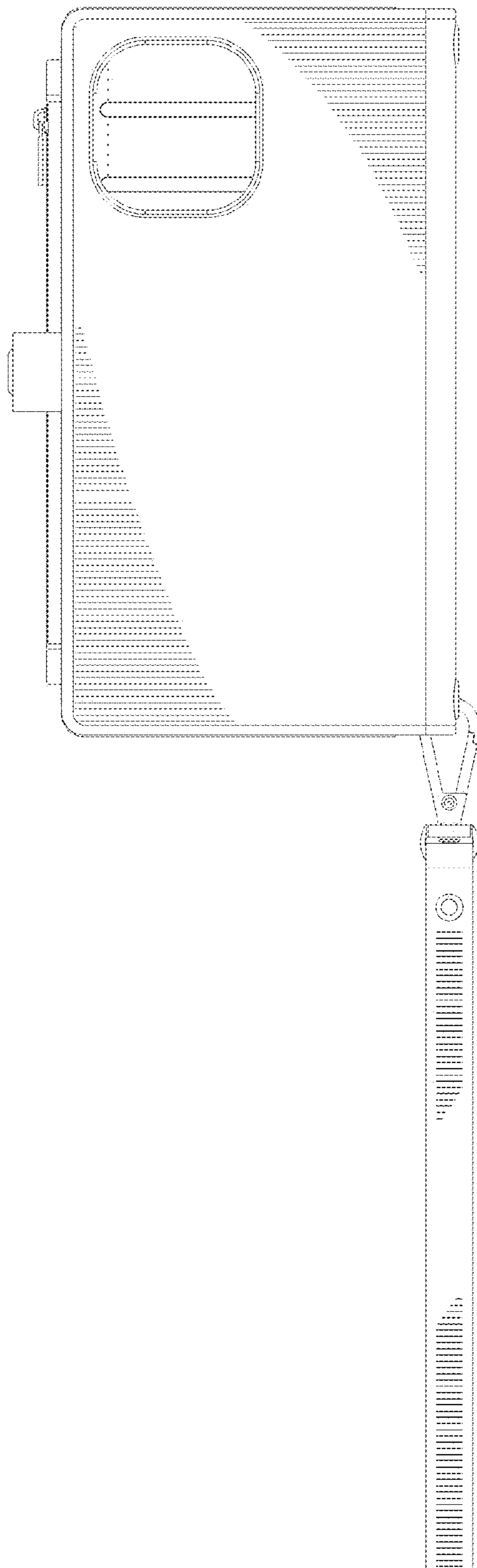


FIG. 1

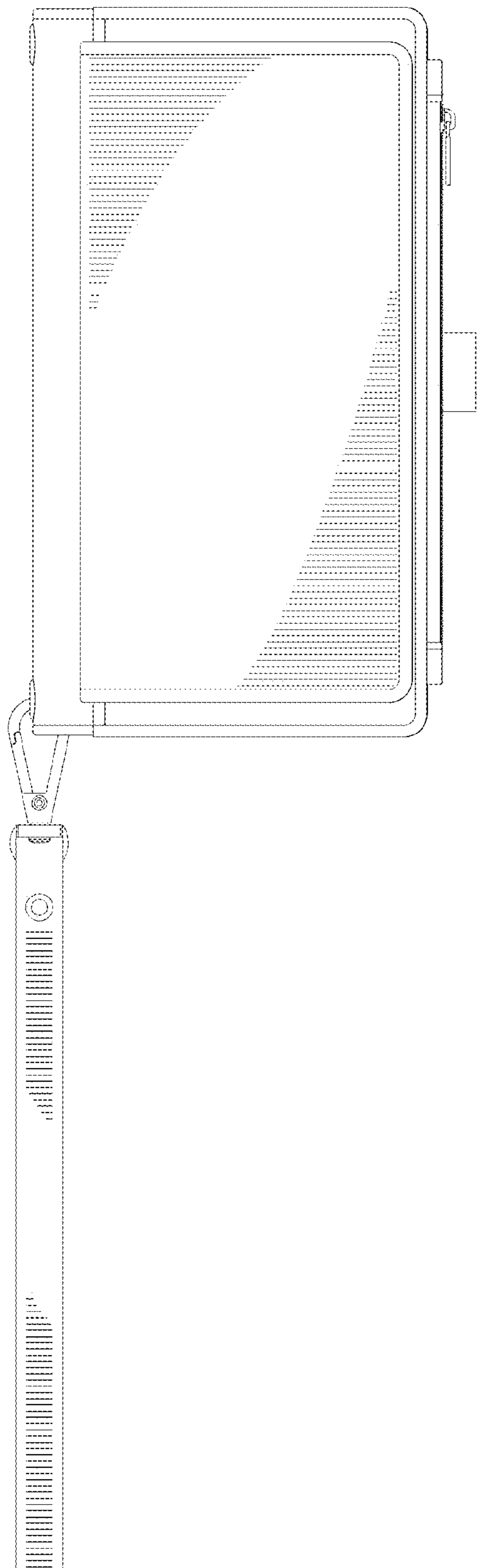


FIG. 2

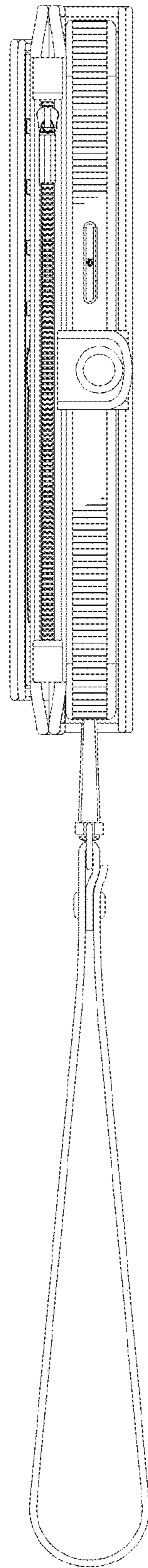


FIG. 3

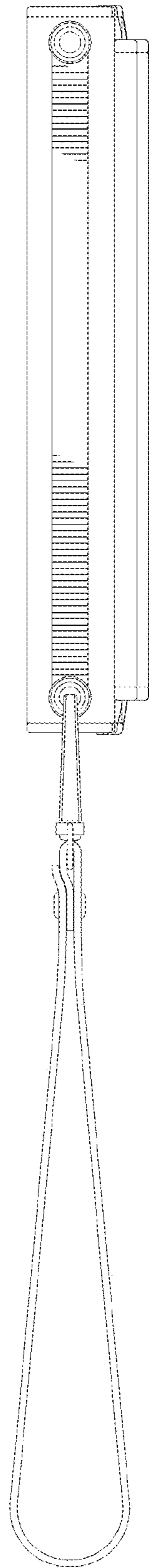


FIG. 4

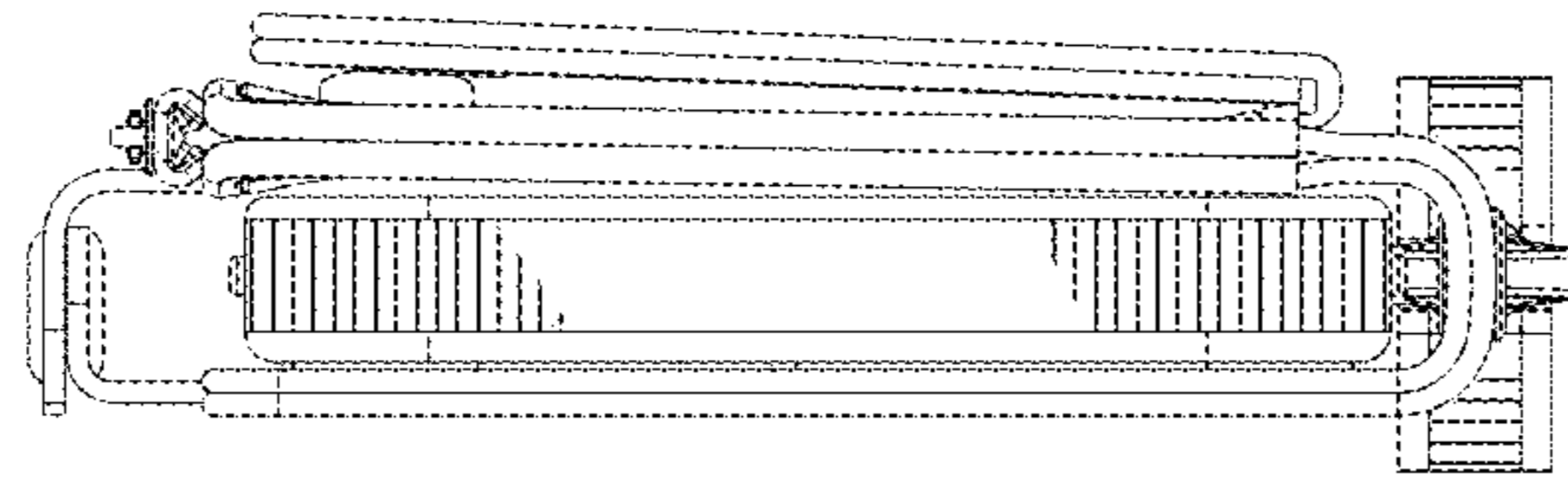


FIG. 5

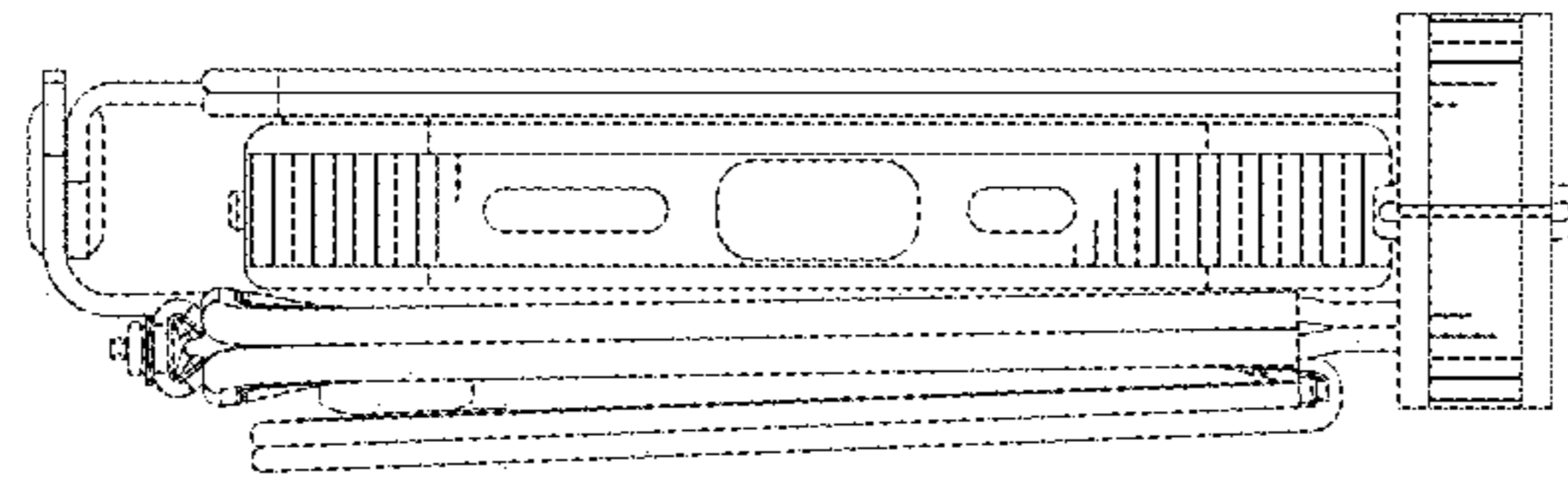


FIG. 6

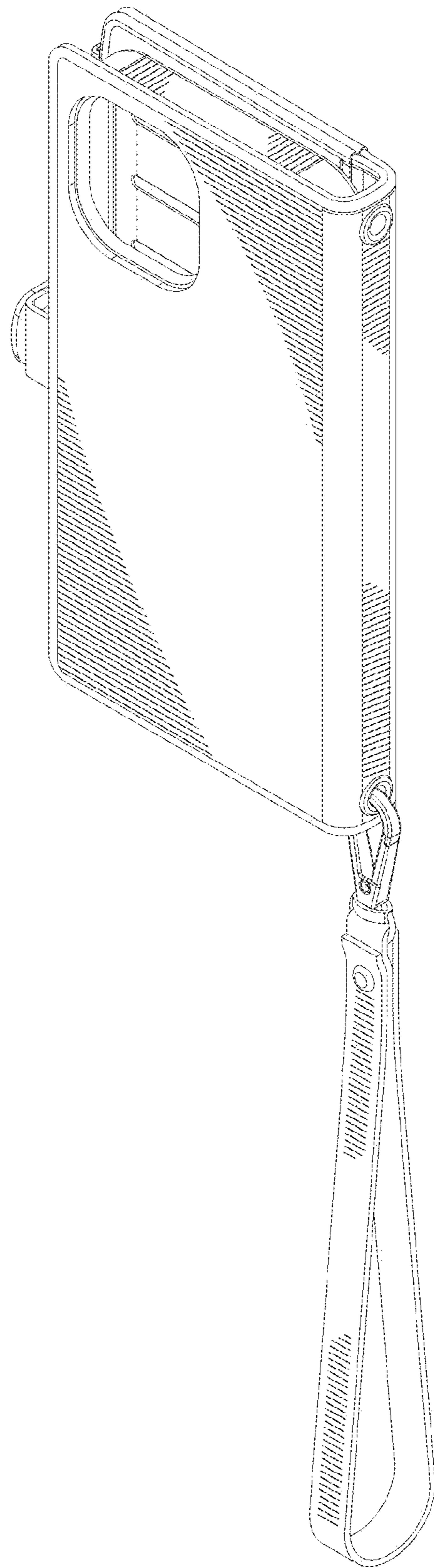


FIG. 7

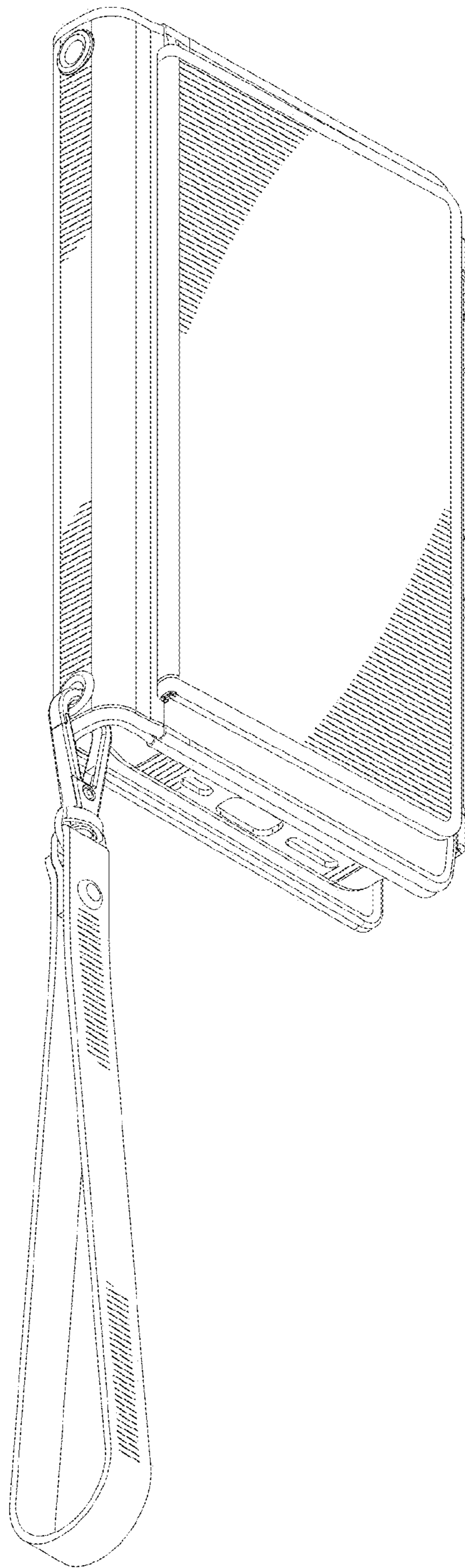


FIG. 8

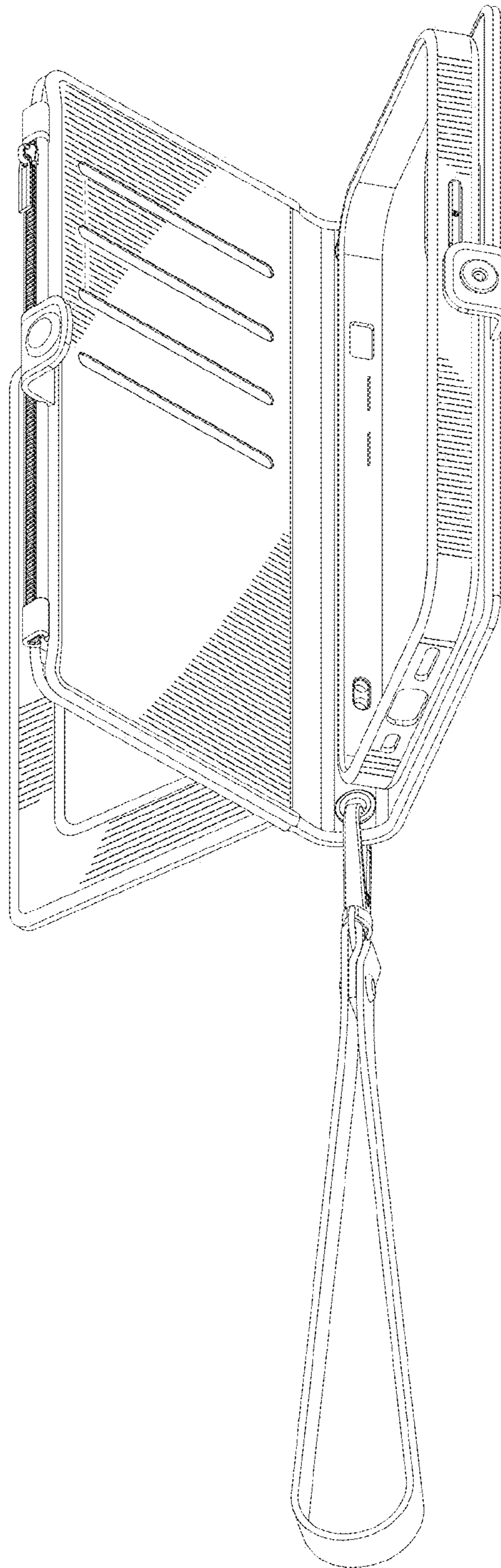


FIG. 9