



US00D971904S

(12) **United States Design Patent** (10) **Patent No.:** **US D971,904 S**
Seo et al. (45) **Date of Patent:** **** Dec. 6, 2022**

(54) **ELECTRONIC DEVICE**

D898,008 S * 10/2020 Seo D14/248
D907,613 S * 1/2021 Seo D14/248
D916,066 S * 4/2021 Seo D14/248

(71) Applicant: **Samsung Electronics Co., Ltd.**,
Suwon-si (KR)

(Continued)

(72) Inventors: **Yong Seo**, Suwon-si (KR); **Jae-Hyung Kim**, Suwon-si (KR); **Dae-Kyung Ahn**, Suwon-si (KR); **Kwan-Hee Lee**, Suwon-si (KR)

FOREIGN PATENT DOCUMENTS

CN 304792048 8/2018
CN 304986526 1/2019

(Continued)

(73) Assignee: **SAMSUNG ELECTRONICS CO., LTD.**, Suwon-si (KR)

OTHER PUBLICATIONS

(**) Term: **15 Years**

Samsung Galaxy M30s with 6000 mAh Unboxing & Overview, www.youtube.com, Sep. 17, 2019. <https://www.youtube.com/watch?v=IPr6b5kTsy4> (Year: 2019).*

(Continued)

(21) Appl. No.: **29/736,513**

(22) Filed: **Jun. 1, 2020**

(30) **Foreign Application Priority Data**

Dec. 6, 2019 (KR) 30-2019-0059219

(51) **LOC (13) Cl.** **14-03**

(52) **U.S. Cl.**
USPC **D14/248**

(58) **Field of Classification Search**
USPC D14/138 R, 138 G, 138 AA, 138 AB, D14/138 AC, 138 AD, 496, 248, 203.1, D14/203.3, 203.4, 203.7, 388, 389, 439, D14/426, 348, 342, 341; D13/103, 107; D21/329; D10/50
CPC G06F 3/041; G06F 3/0412; G06F 3/0488; G06F 3/04883; G06F 1/1613; G06F 1/1692; G06F 1/1626; G06F 2200/1633; A63H 33/3016

See application file for complete search history.

(56) **References Cited**

U.S. PATENT DOCUMENTS

D803,205 S * 11/2017 Lee D14/248
D871,400 S * 12/2019 Kim D14/341
D892,780 S * 8/2020 Park D14/248

Primary Examiner — Llorellys Martinez
Assistant Examiner — Kwabena A. Ankobiah
(74) *Attorney, Agent, or Firm* — McAndrews Held & Malloy, Ltd.

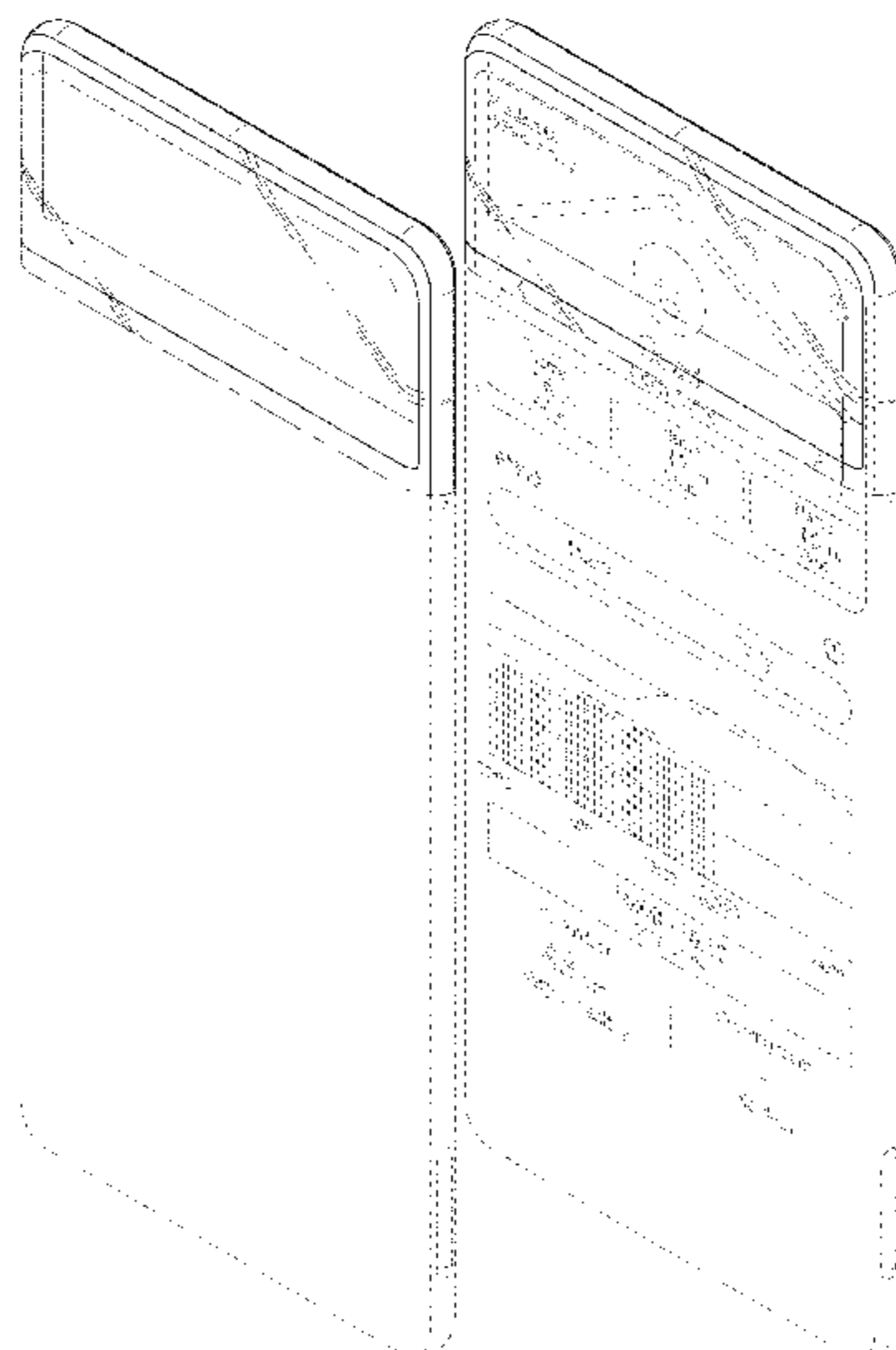
(57) **CLAIM**

The ornamental design for an electronic device, as shown and described.

DESCRIPTION

FIG. 1 is a front perspective view of an electronic device showing our new design;
FIG. 2 is a front elevation view thereof;
FIG. 3 is a rear elevation view thereof;
FIG. 4 is a left side elevation view thereof;
FIG. 5 is a right side elevation view thereof;
FIG. 6 is a top plan view thereof;
FIG. 7 is a bottom plan view thereof; and,
FIG. 8 is another front perspective view thereof, showing the electronic device of FIG. 1 in a state of use.
The dot-dash broken lines in FIGS. 1-5, and 8 define a boundary of the claimed design and form no part thereof.

1 Claim, 8 Drawing Sheets



(56)

References Cited

U.S. PATENT DOCUMENTS

D922,991 S * 6/2021 Seo D14/248
D922,992 S * 6/2021 Seo D14/248
D927,471 S * 8/2021 Park D14/248
D932,476 S * 10/2021 Park D14/248
D938,404 S * 12/2021 Seo D14/248
D939,487 S * 12/2021 Kim D14/248
D946,561 S * 3/2022 Seo D14/248

FOREIGN PATENT DOCUMENTS

CN 305081120 3/2019
CN 305396615 10/2019
CN 305396621 10/2019

OTHER PUBLICATIONS

Samsung Galaxy S20 FE 5G www.amazon.com, Sep. 23, 2020.
<https://www.amazon.com/Samsung-Factory-Unlocked-Smartphone-Pro-Grade/dp/B08FYV84JT?th=1> (Year: 2020).*

Samsung Galaxy M30s Review, www.mysmartprice.com, Oct. 30, 2019. <https://www.mysmartprice.com/gear/samsung-galaxy-m30s-review/> (Year: 2020).*

* cited by examiner

FIG. 1

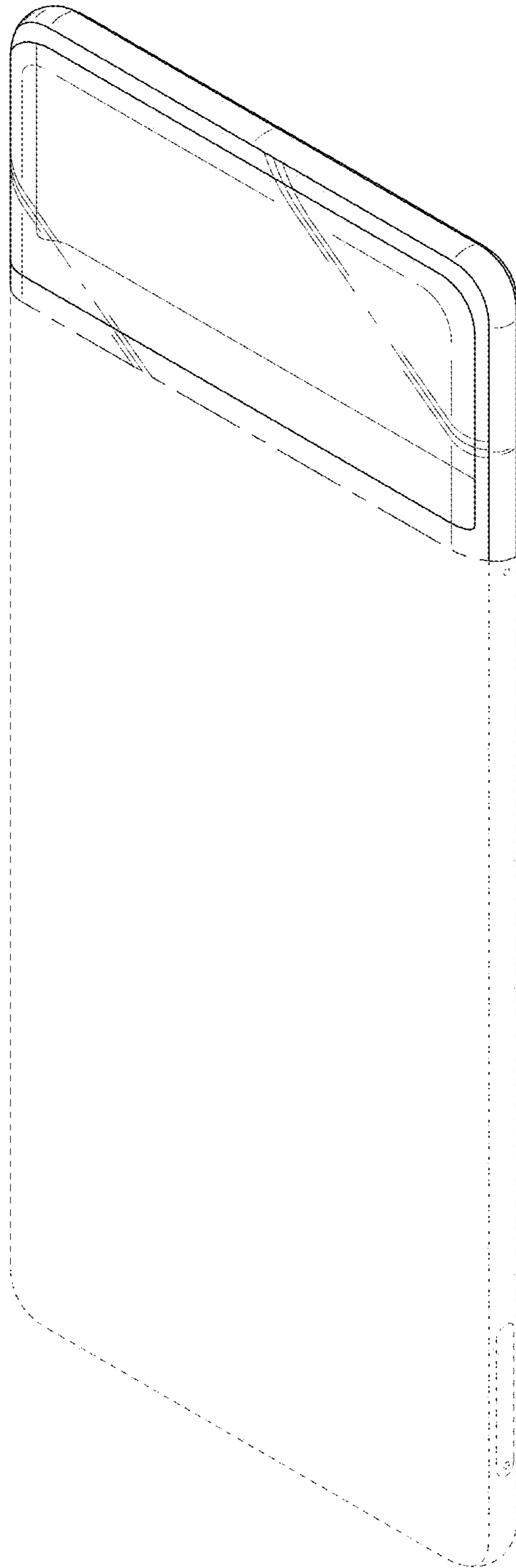


FIG. 2



FIG. 3

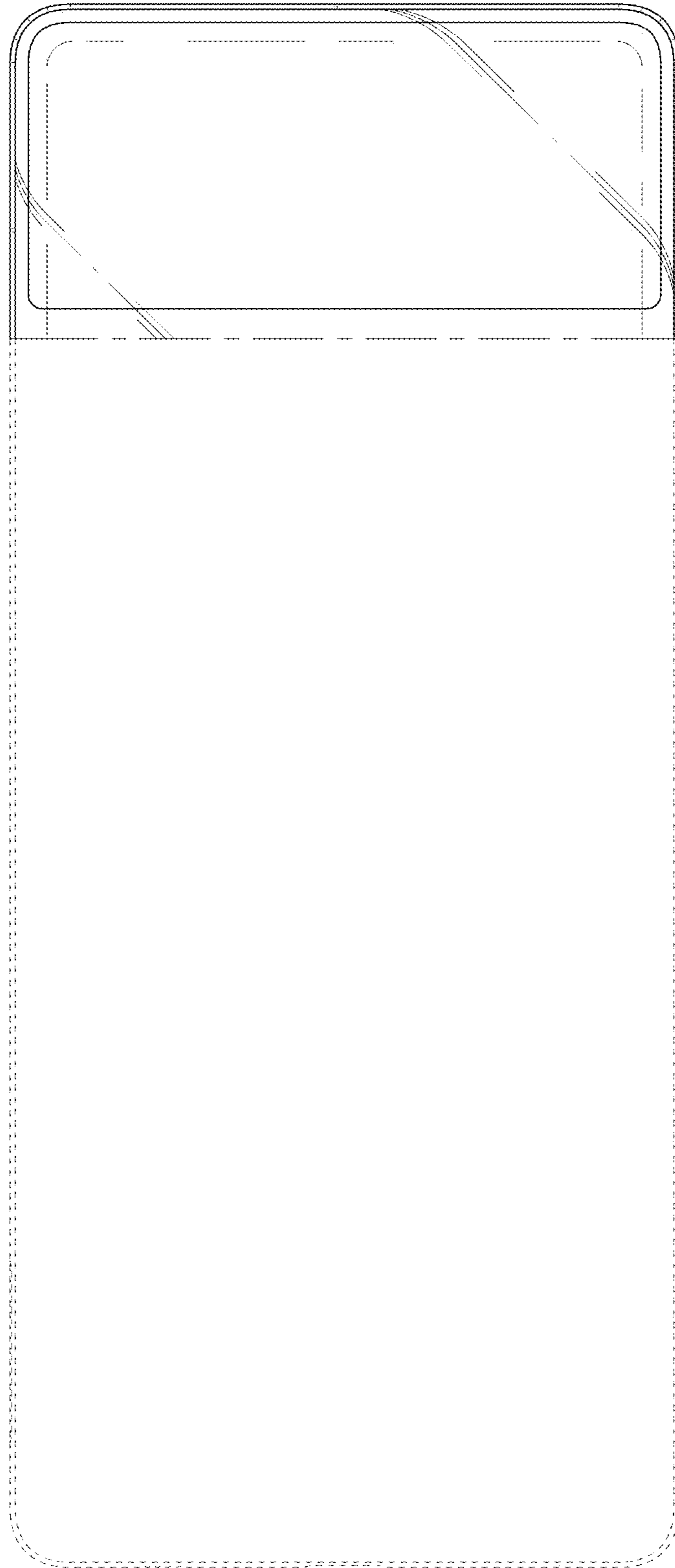


FIG. 4

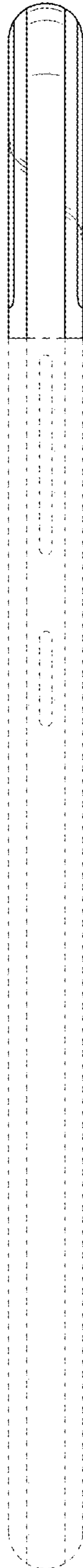


FIG. 5

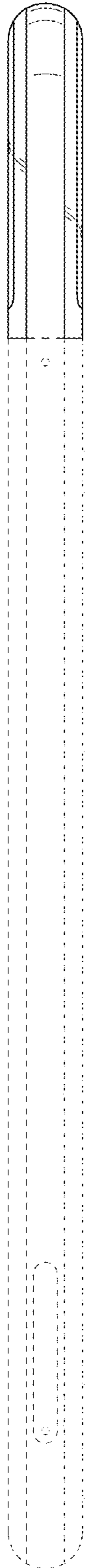


FIG. 6



FIG. 7

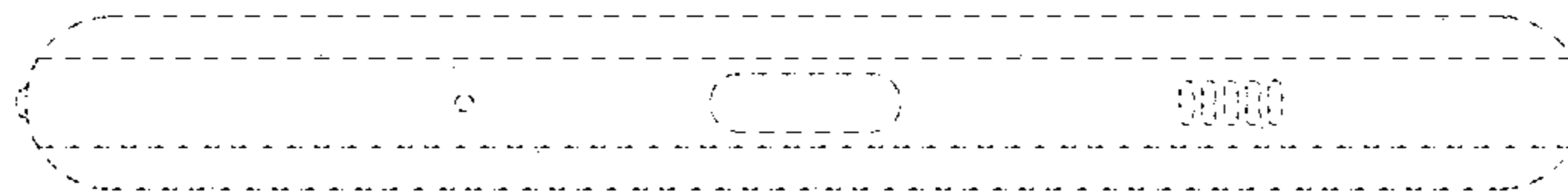


FIG. 8

