



US00D971903S

(12) **United States Design Patent**  
**Lee**

(10) **Patent No.:** **US D971,903 S**

(45) **Date of Patent:** **\*\* Dec. 6, 2022**

(54) **ROUTER**

(71) Applicant: **Samsung Electronics Co., Ltd.**,  
Suwon-si (KR)

(72) Inventor: **Eunuae Lee**, Suwon-si (KR)

(73) Assignee: **Samsung Electronics Co., Ltd.**,  
Suwon-si (KR)

(\*\*) Term: **15 Years**

(21) Appl. No.: **29/777,431**

(22) Filed: **Apr. 6, 2021**

(30) **Foreign Application Priority Data**

Dec. 23, 2020 (KR) ..... 30-2020-0064425

(51) **LOC (13) Cl.** ..... **14-03**

(52) **U.S. Cl.**  
USPC ..... **D14/242**

(58) **Field of Classification Search**

USPC .... D14/240, 242, 357, 358, 140-140.9, 155,  
D14/125, 137, 139, 243, 348, 349, 351,  
D14/354, 355

CPC ..... H04L 12/00; H03K 17/00; H04W 88/00;  
H04W 88/005; H04W 88/02; H04W  
88/08; H04W 88/085; H04W 88/10;  
H04W 88/12; H04W 88/14; H04B 1/38

See application file for complete search history.

(56) **References Cited**

**U.S. PATENT DOCUMENTS**

D763,221 S \* 8/2016 Kallin ..... D14/188  
D809,492 S \* 2/2018 Moon ..... D14/240

D862,434 S *	10/2019	Kwak	.....	D14/240
D882,539 S *	4/2020	Choubey	.....	D13/184
D883,964 S *	5/2020	Jang	.....	D14/240
D892,778 S *	8/2020	Jang	.....	D14/240
D895,562 S *	9/2020	Choubey	.....	D13/184
D906,990 S *	1/2021	Choubey	.....	D13/184
D913,923 S *	3/2021	You	.....	D13/110
D920,267 S *	5/2021	Choubey	.....	D13/184
D928,131 S *	8/2021	Jang	.....	D14/242
D954,692 S *	6/2022	Moon	.....	D14/240
D956,031 S *	6/2022	Jeon	.....	D14/242

\* cited by examiner

*Primary Examiner* — Bridget L Eland

(74) *Attorney, Agent, or Firm* — NSIP Law

(57) **CLAIM**

I claim the ornamental design for a router, as shown and described.

**DESCRIPTION**

FIG. 1 is a front perspective view of a router showing my new design;

FIG. 2 is a front view thereof;

FIG. 3 is a rear view thereof;

FIG. 4 is a left-side view thereof;

FIG. 5 is a right-side view thereof;

FIG. 6 is a top view thereof;

FIG. 7 is a bottom view thereof; and,

FIG. 8 is a rear perspective view thereof.

The evenly-dashed broken lines in the figures depict portions of the router which form no part of the claimed design.

**1 Claim, 8 Drawing Sheets**

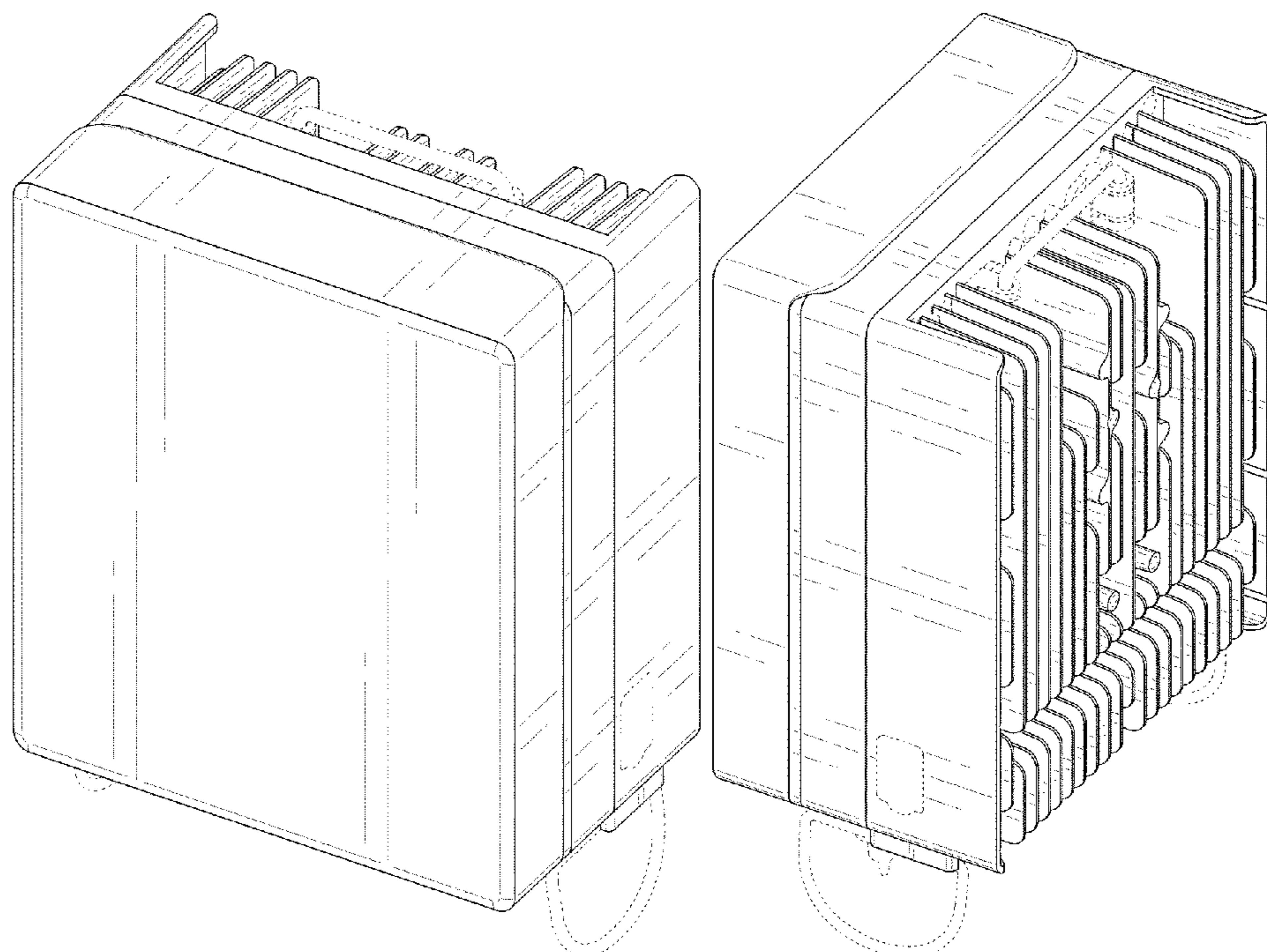


FIG. 1

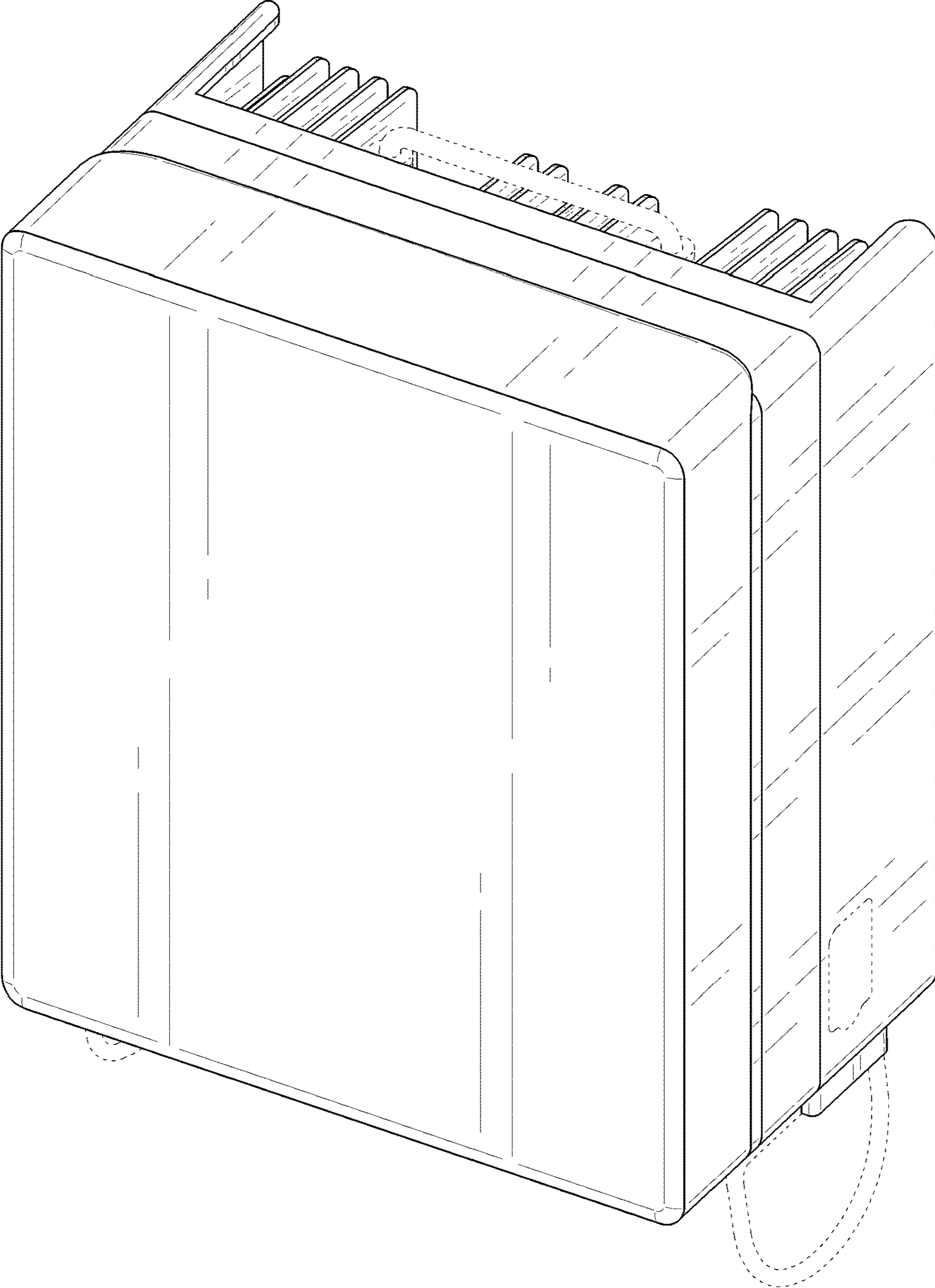


FIG. 2

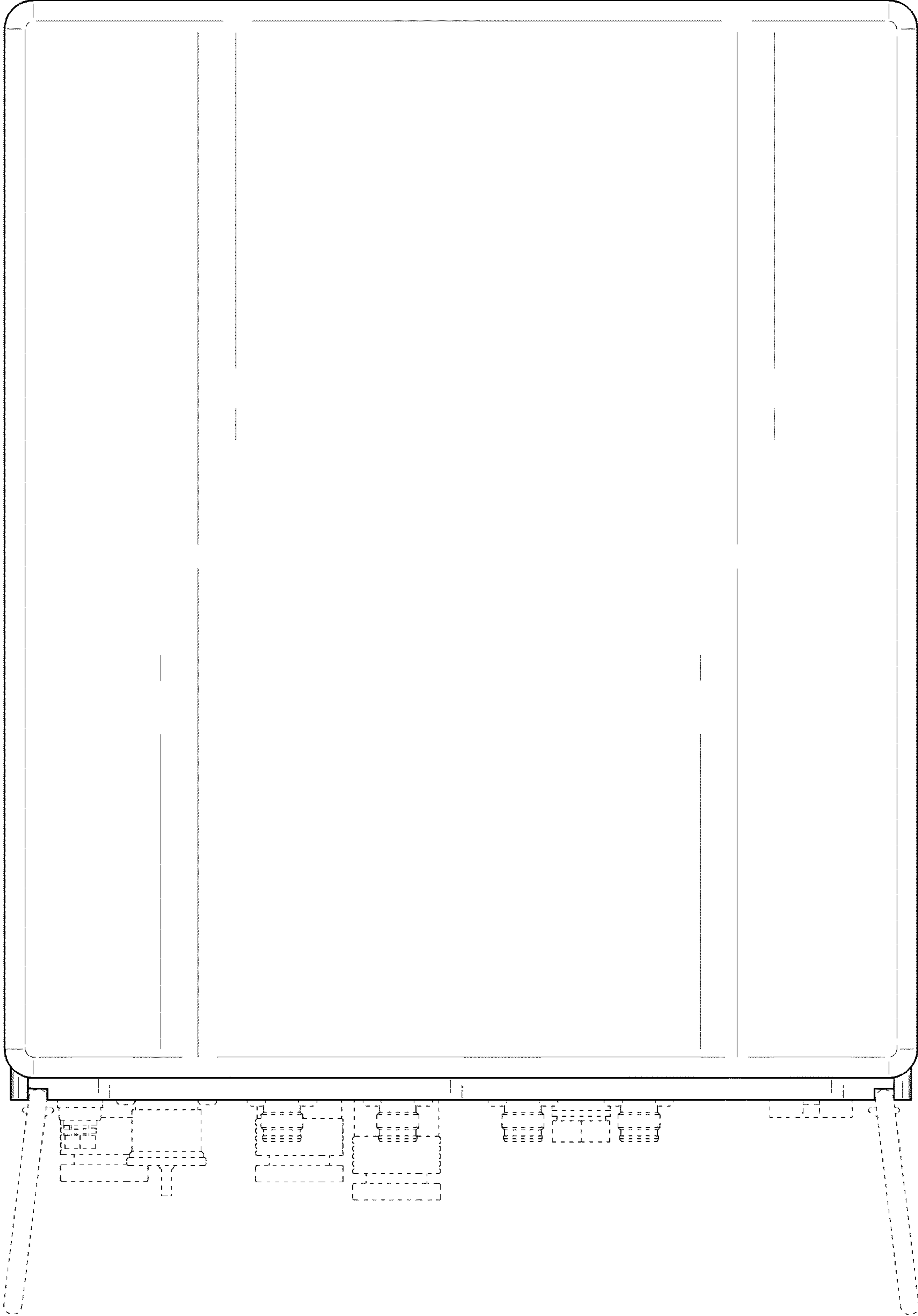


FIG. 3

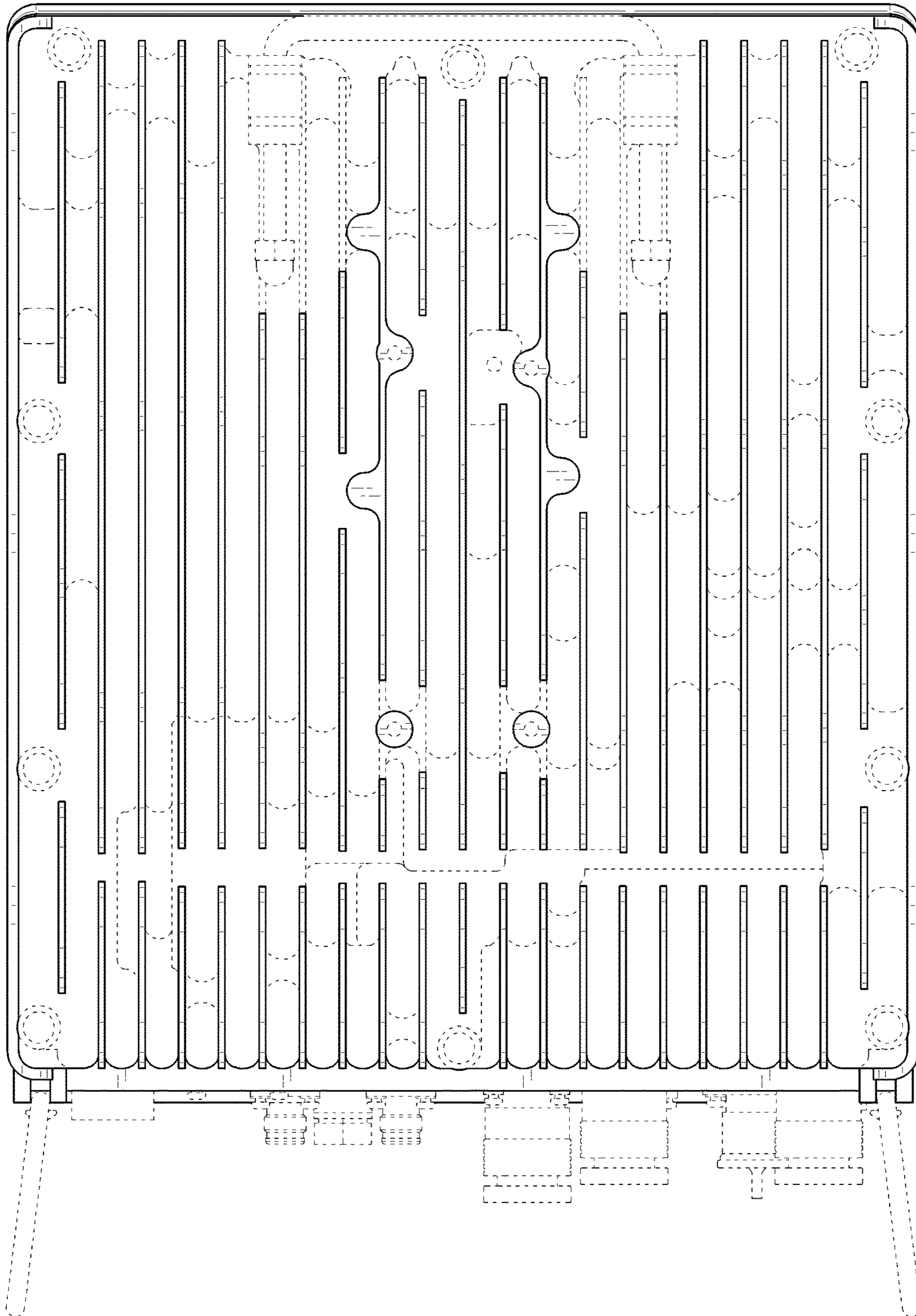


FIG. 4

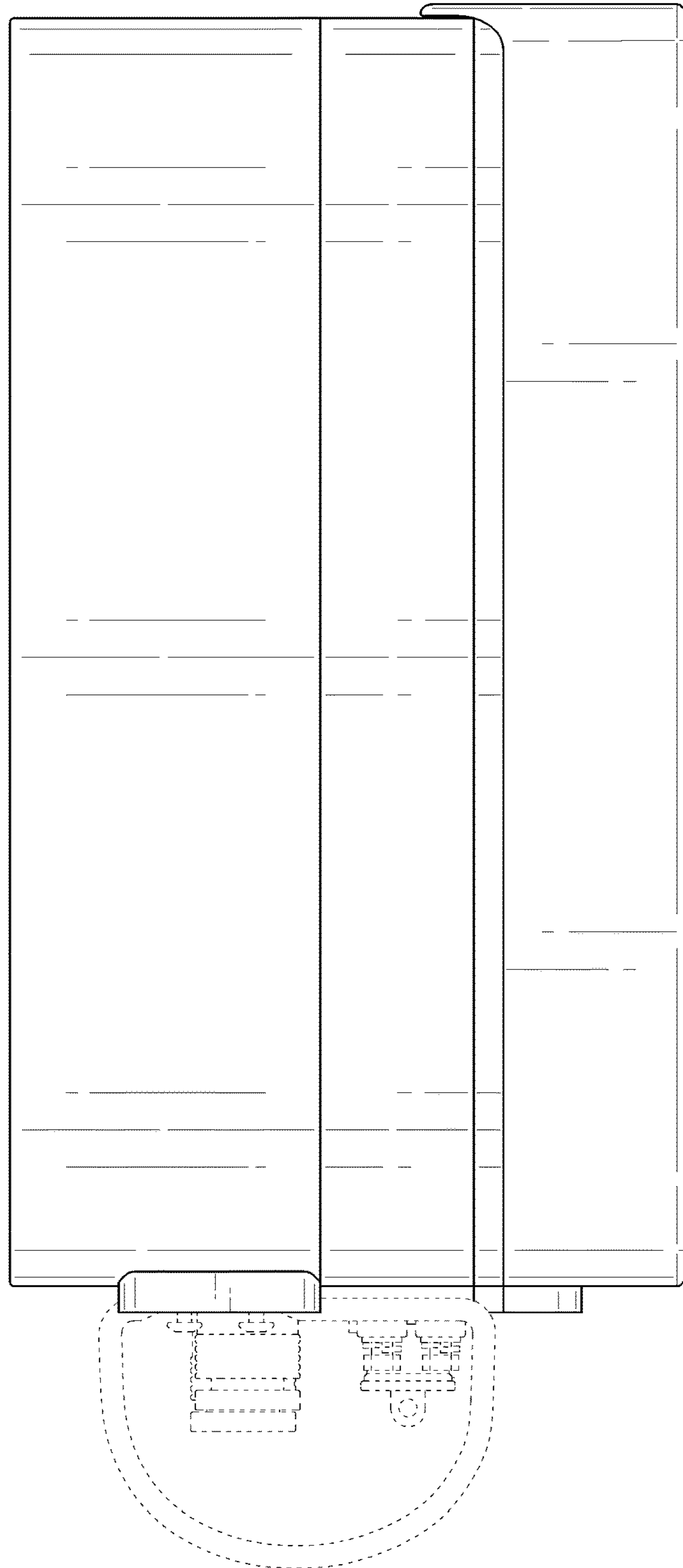


FIG. 5

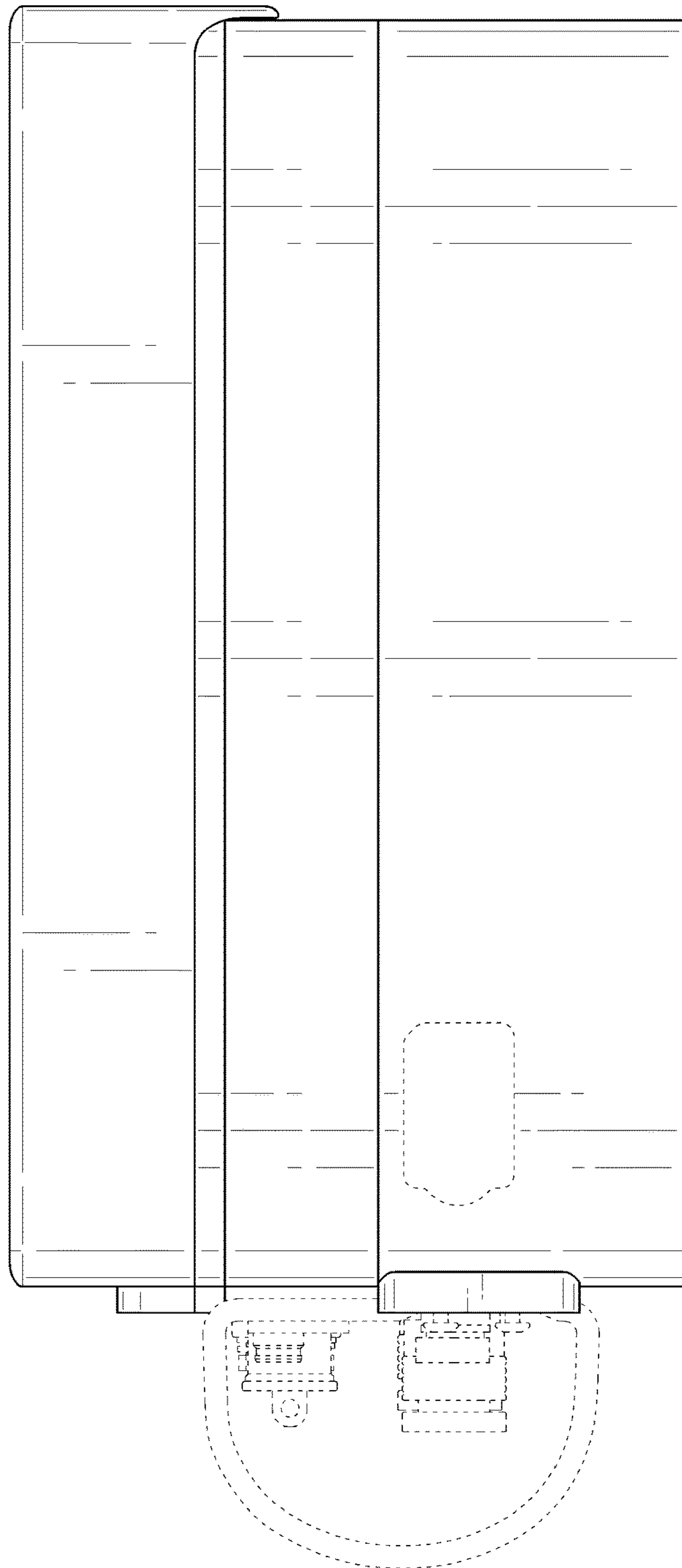


FIG. 6

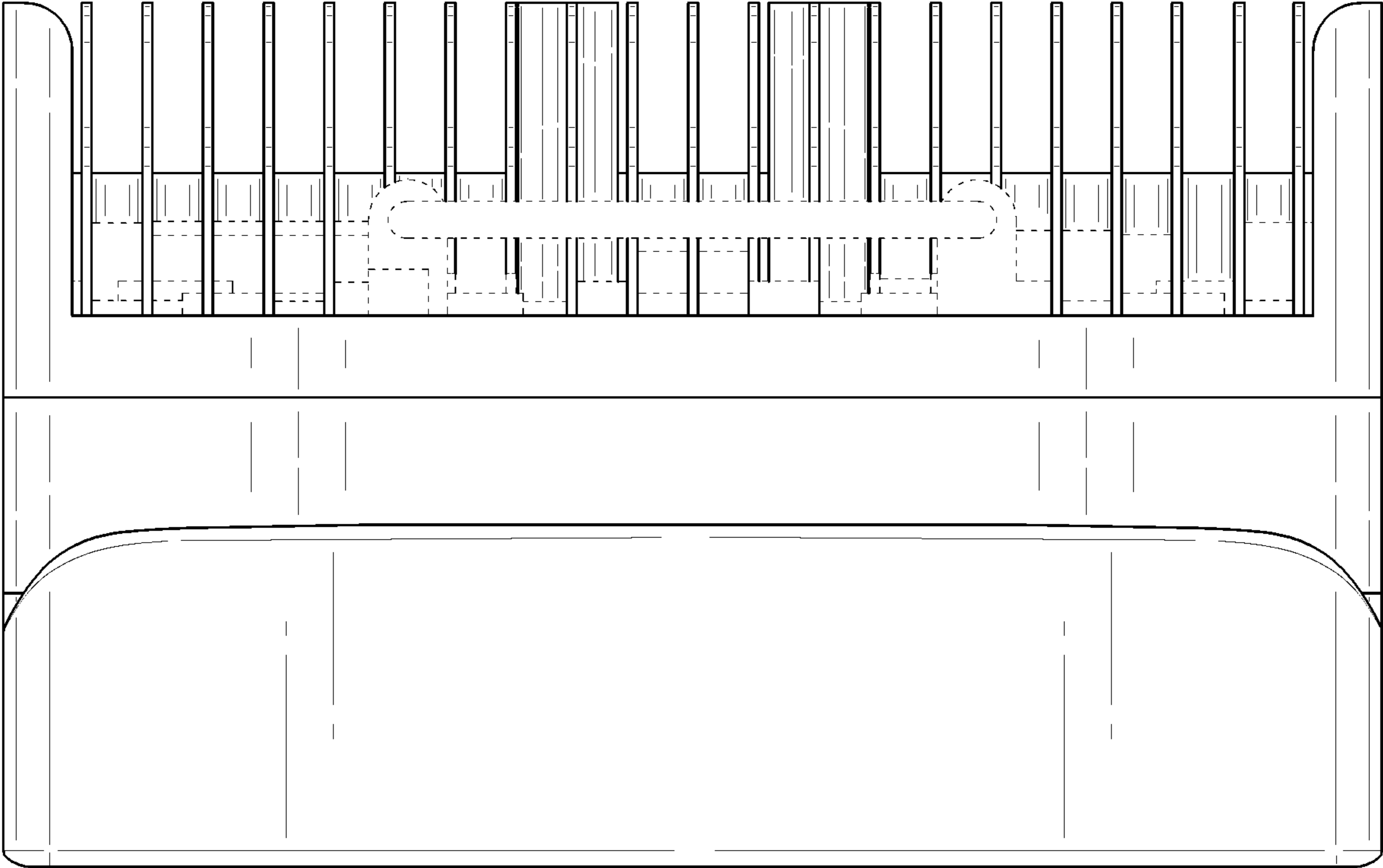


FIG. 7

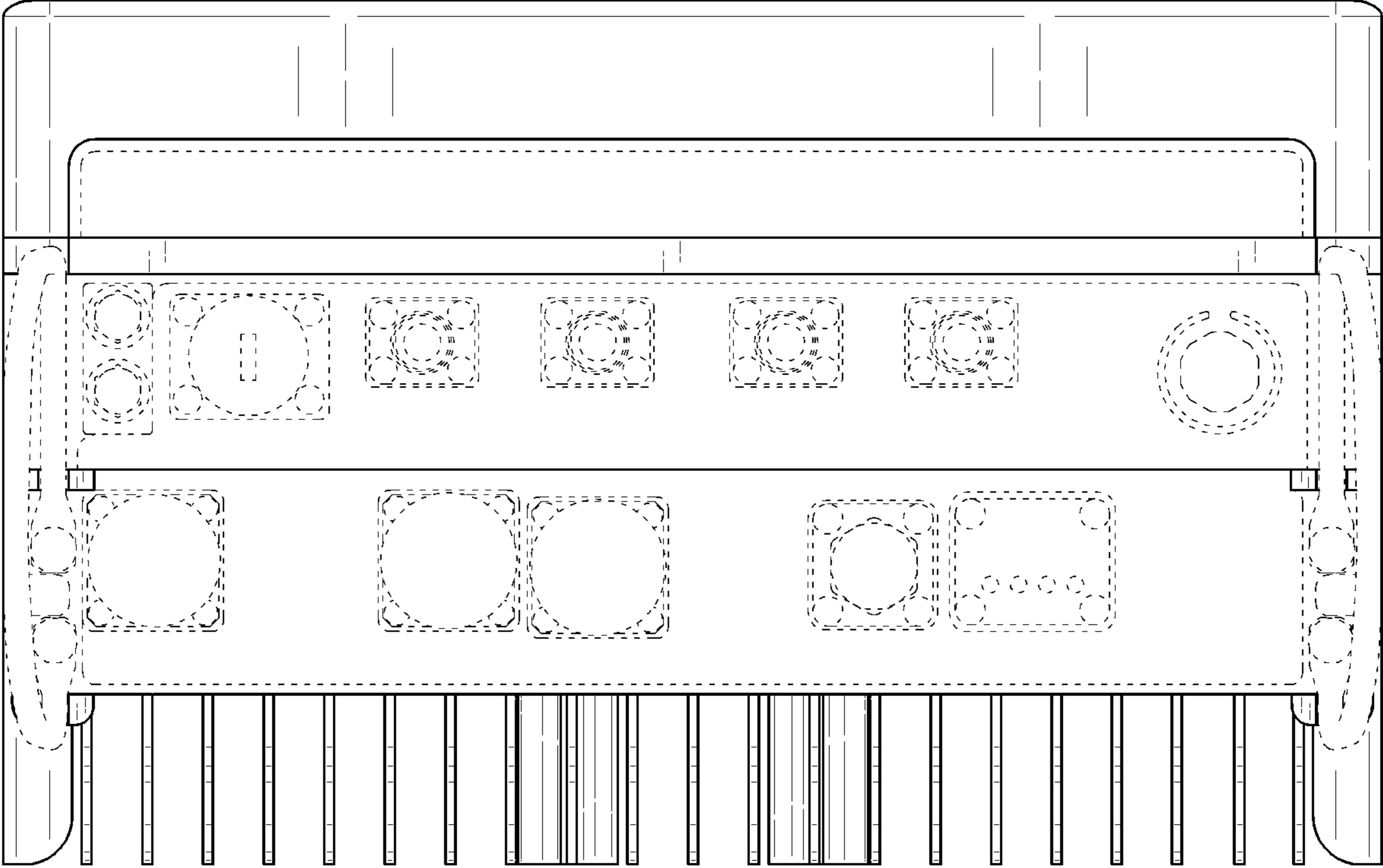




FIG. 8

