



US00D971902S

(12) **United States Design Patent** (10) **Patent No.:** **US D971,902 S**
Lee et al. (45) **Date of Patent:** **** Dec. 6, 2022**

(54) **ROUTER**

(71) Applicant: **Samsung Electronics Co., Ltd.**,
Suwon-si (KR)

(72) Inventors: **Eunuae Lee**, Suwon-si (KR); **Jihyun Moon**, Suwon-si (KR)

(73) Assignee: **Samsung Electronics Co., Ltd.**,
Suwon-si (KR)

(**) Term: **15 Years**

(21) Appl. No.: **29/777,395**

(22) Filed: **Apr. 6, 2021**

(30) **Foreign Application Priority Data**

Dec. 21, 2020 (KR) 30-2020-0063674

(51) **LOC (13) Cl.** **14-03**

(52) **U.S. Cl.**
USPC **D14/242**

(58) **Field of Classification Search**
USPC D14/240, 242, 357, 358, 140-140.9, 155,
D14/125, 137, 139, 243, 348, 349, 351,
D14/354, 355
CPC H04L 12/00; H03K 17/00; H04W 88/00;
H04W 88/005; H04W 88/02; H04W
88/08; H04W 88/085; H04W 88/10;
H04W 88/12; H04W 88/14; H04B 1/38
See application file for complete search history.

(56) **References Cited**

U.S. PATENT DOCUMENTS

D595,736 S * 7/2009 Son D14/509
D648,689 S * 11/2011 Mehlsen D14/125
D693,248 S * 11/2013 Anderssen D10/70
D693,249 S * 11/2013 Anderssen D10/70
D740,262 S * 10/2015 Hasegawa D14/240
D763,221 S * 8/2016 Kallin D14/188

D765,073 S * 8/2016 Niizawa D14/356
D778,185 S * 2/2017 Ookawa D10/104.1
D809,493 S * 2/2018 Konotopskyi D14/242
D835,085 S * 12/2018 Burmeister-Brown D14/240
D852,176 S * 6/2019 Moon D14/240
D862,434 S * 10/2019 Kwak D14/240
D876,411 S * 2/2020 Lim D14/240
D882,539 S * 4/2020 Choubey D13/184
D883,964 S * 5/2020 Jang D14/240
D895,562 S * 9/2020 Choubey D13/184
D895,591 S * 9/2020 Lee D14/240
D906,990 S * 1/2021 Choubey D13/184
D914,001 S * 3/2021 Lee D14/242
D915,916 S * 4/2021 Konotopskyi D10/106.2
D916,612 S * 4/2021 Konotopskyi D10/116.1
D920,267 S * 5/2021 Choubey D13/184
D952,620 S * 5/2022 Lee D14/242

* cited by examiner

Primary Examiner — Bridget L Eland

(74) *Attorney, Agent, or Firm* — NSIP Law

(57) **CLAIM**

We claim the ornamental design for a router, as shown and described.

DESCRIPTION

FIG. 1 is a front perspective view of a router showing our new design;
FIG. 2 is a front view thereof;
FIG. 3 is a rear view thereof;
FIG. 4 is a left-side view thereof;
FIG. 5 is a right-side view thereof;
FIG. 6 is a top view thereof;
FIG. 7 is a bottom view thereof;
FIG. 8 is a rear perspective view thereof; and,
FIG. 9 is rear perspective view of the router in which the back cover feature is shown in a detached state.
The broken lines in the figures depict portions of the router which form no part of the claimed design.

1 Claim, 9 Drawing Sheets

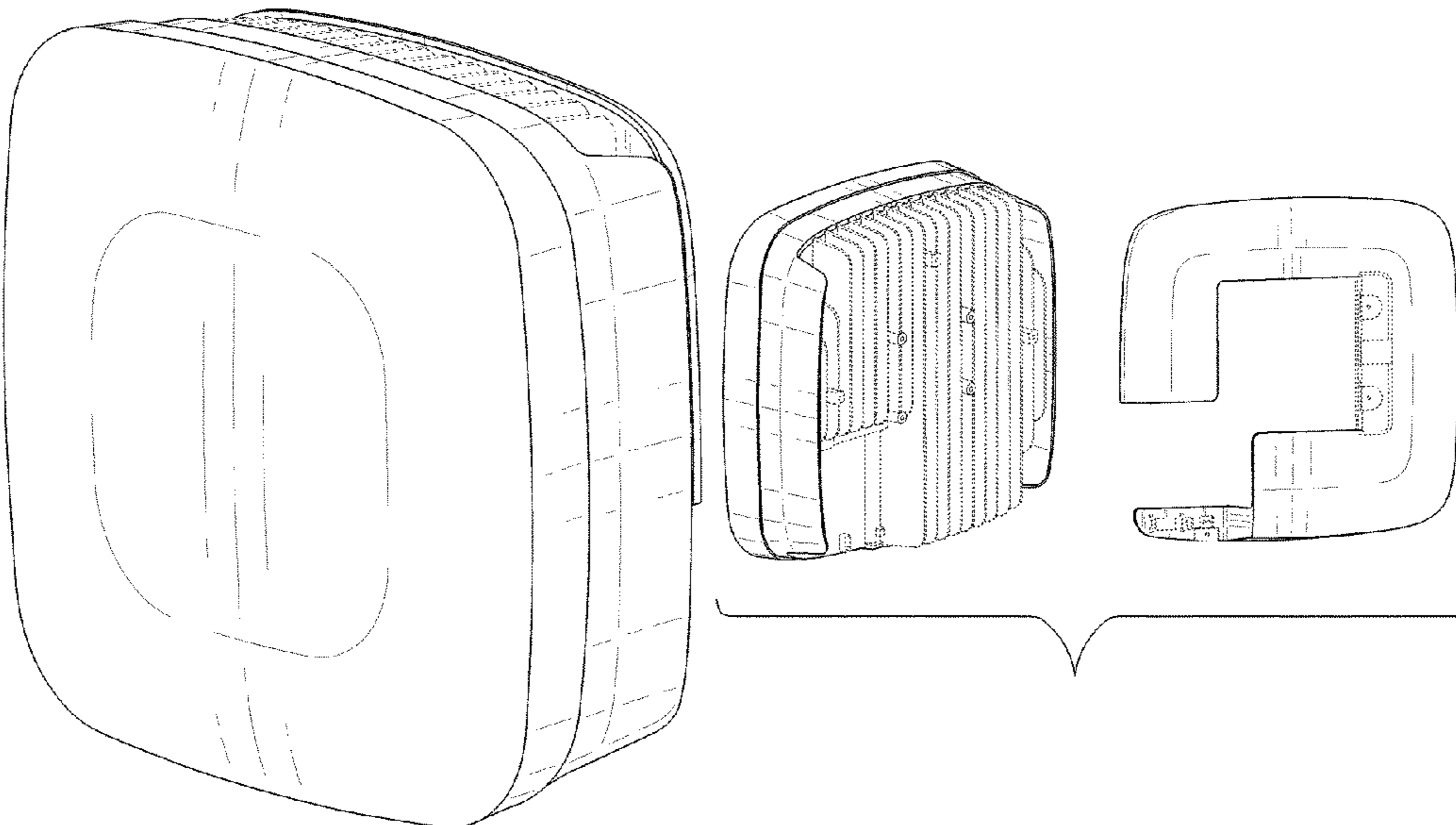


FIG. 1

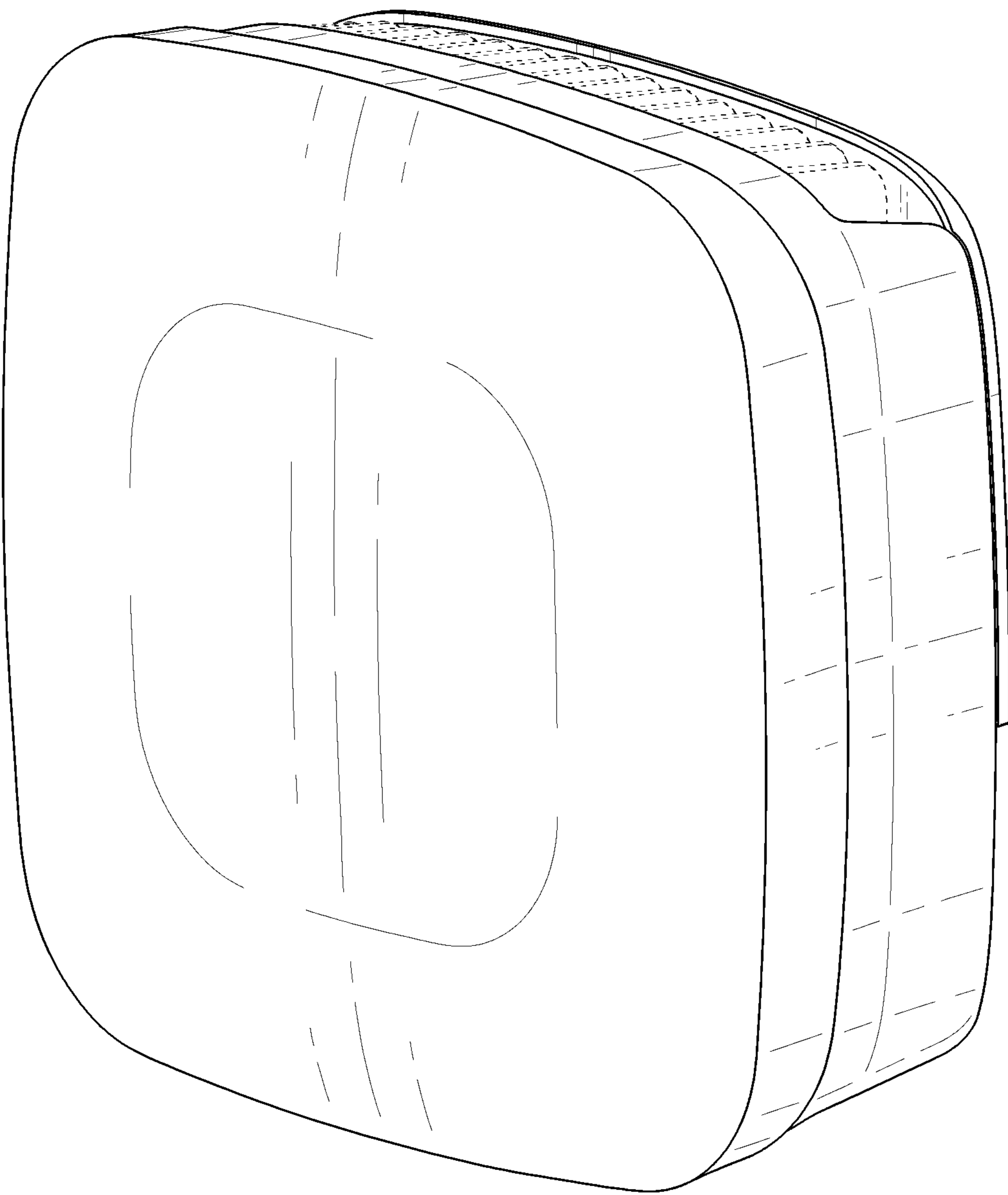


FIG. 2

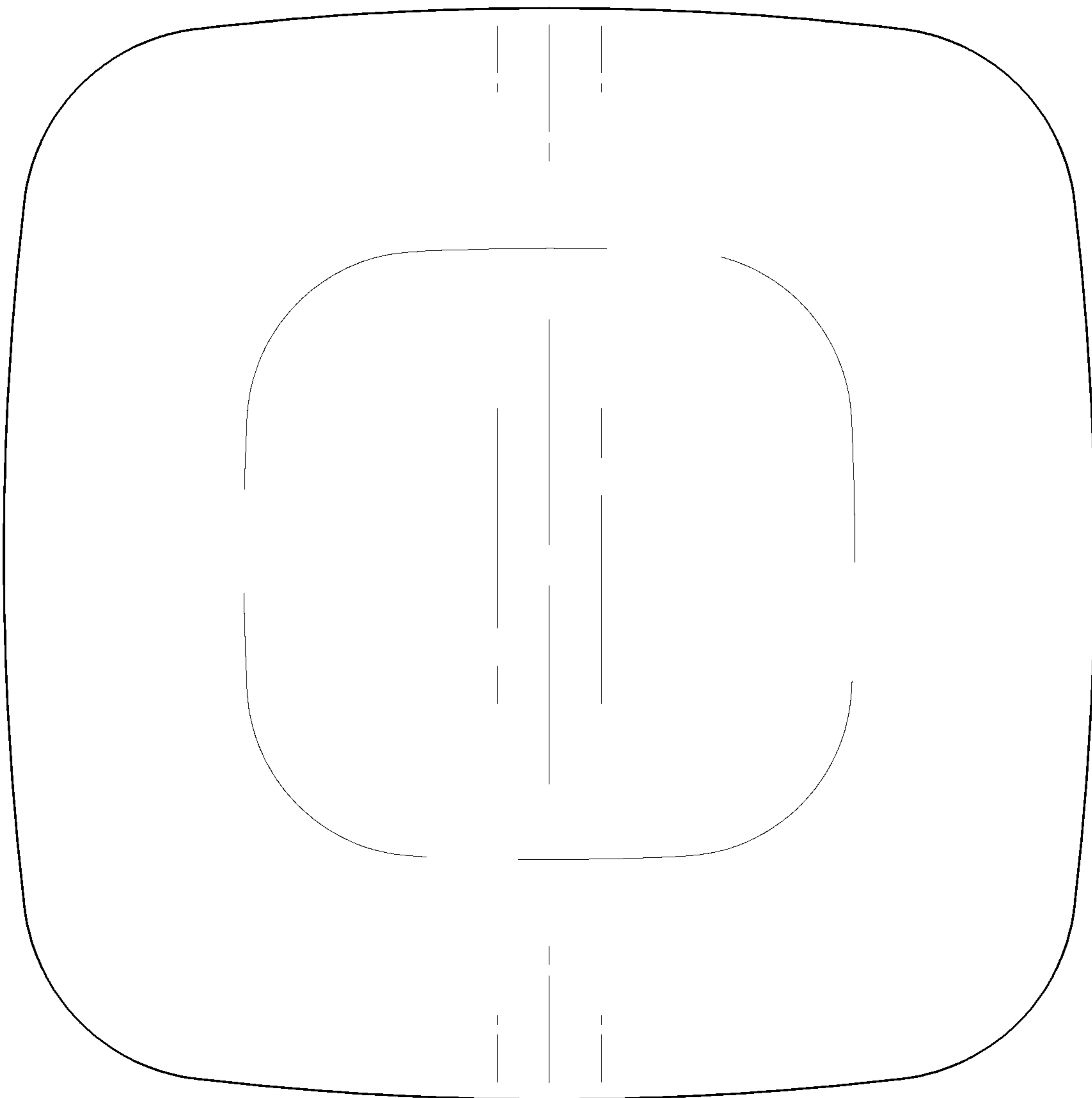


FIG. 3

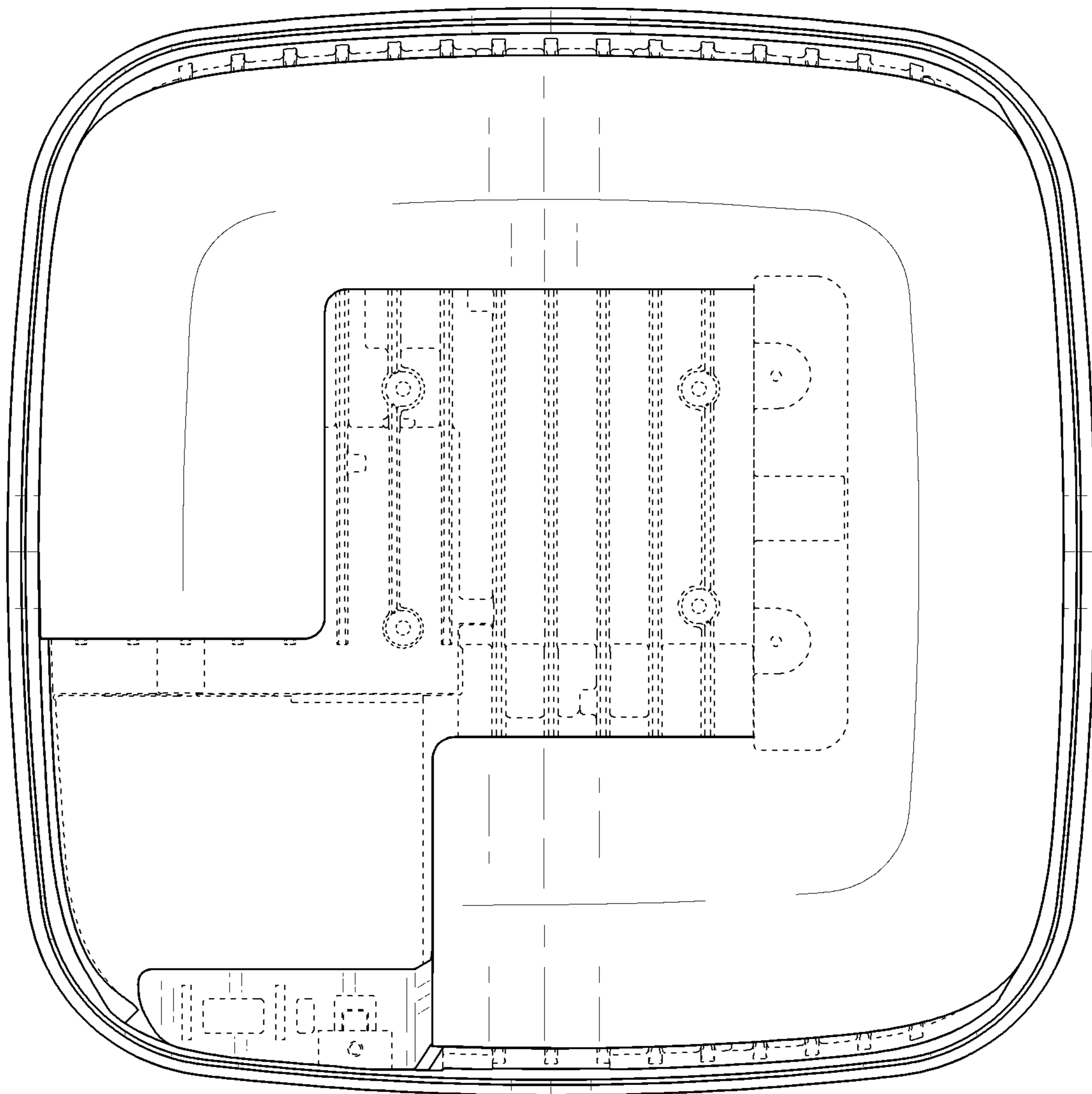


FIG. 4

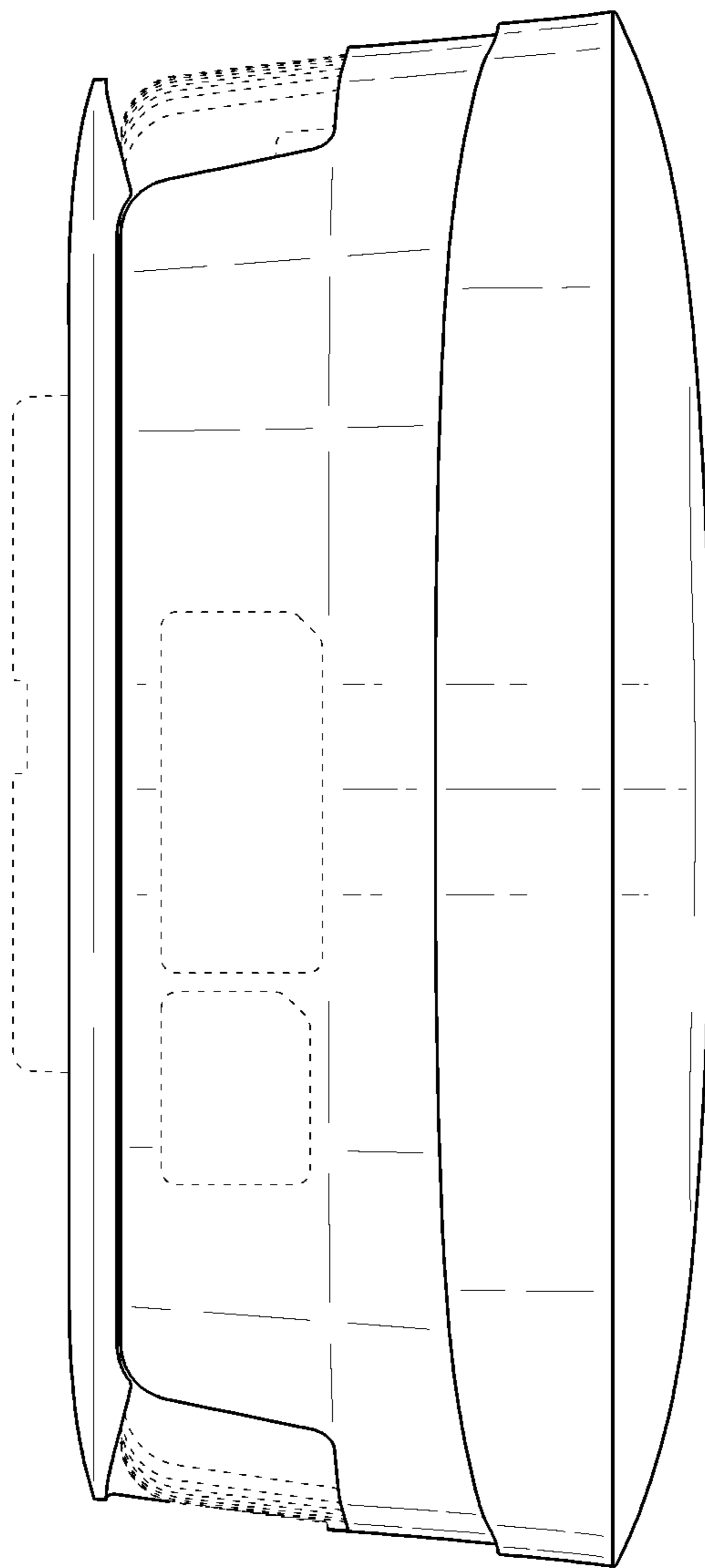


FIG. 5

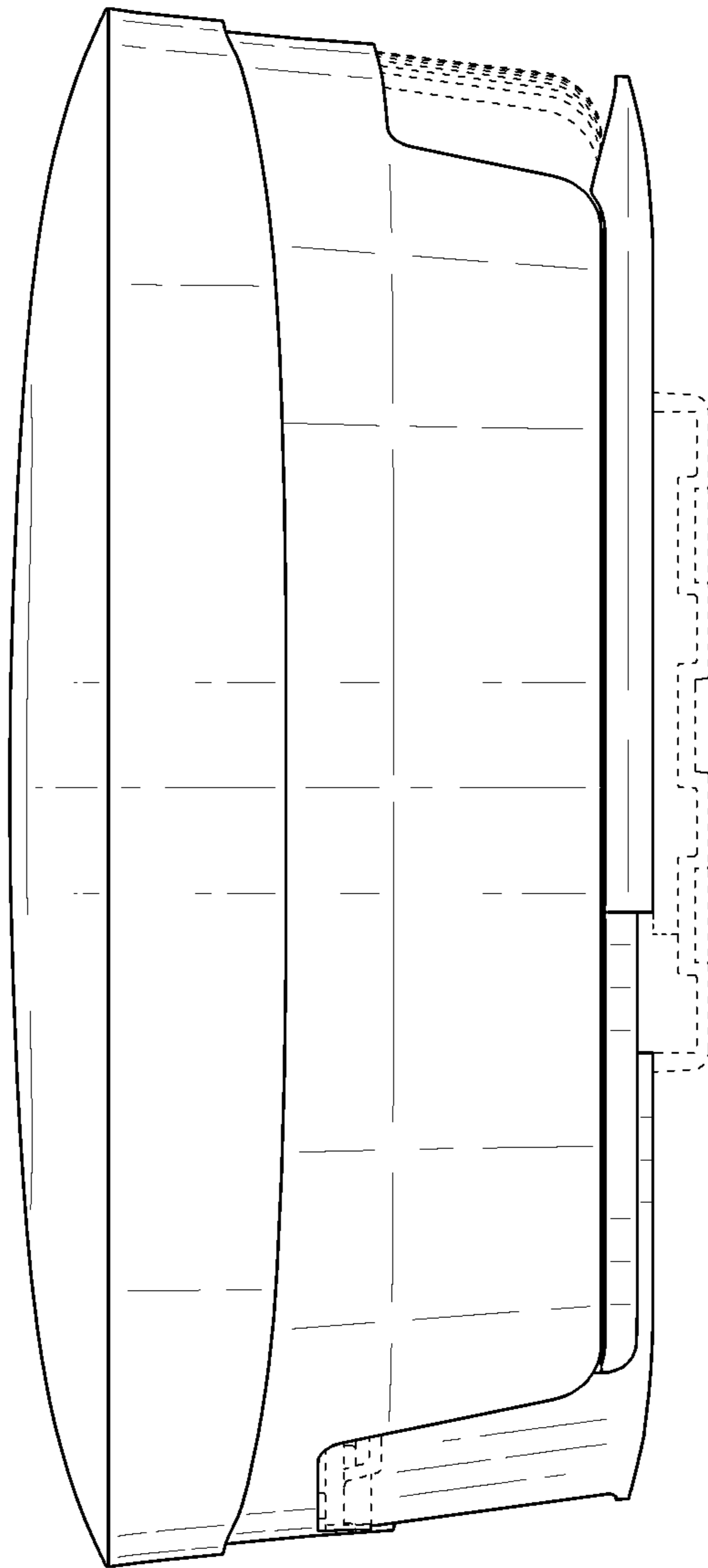


FIG. 6

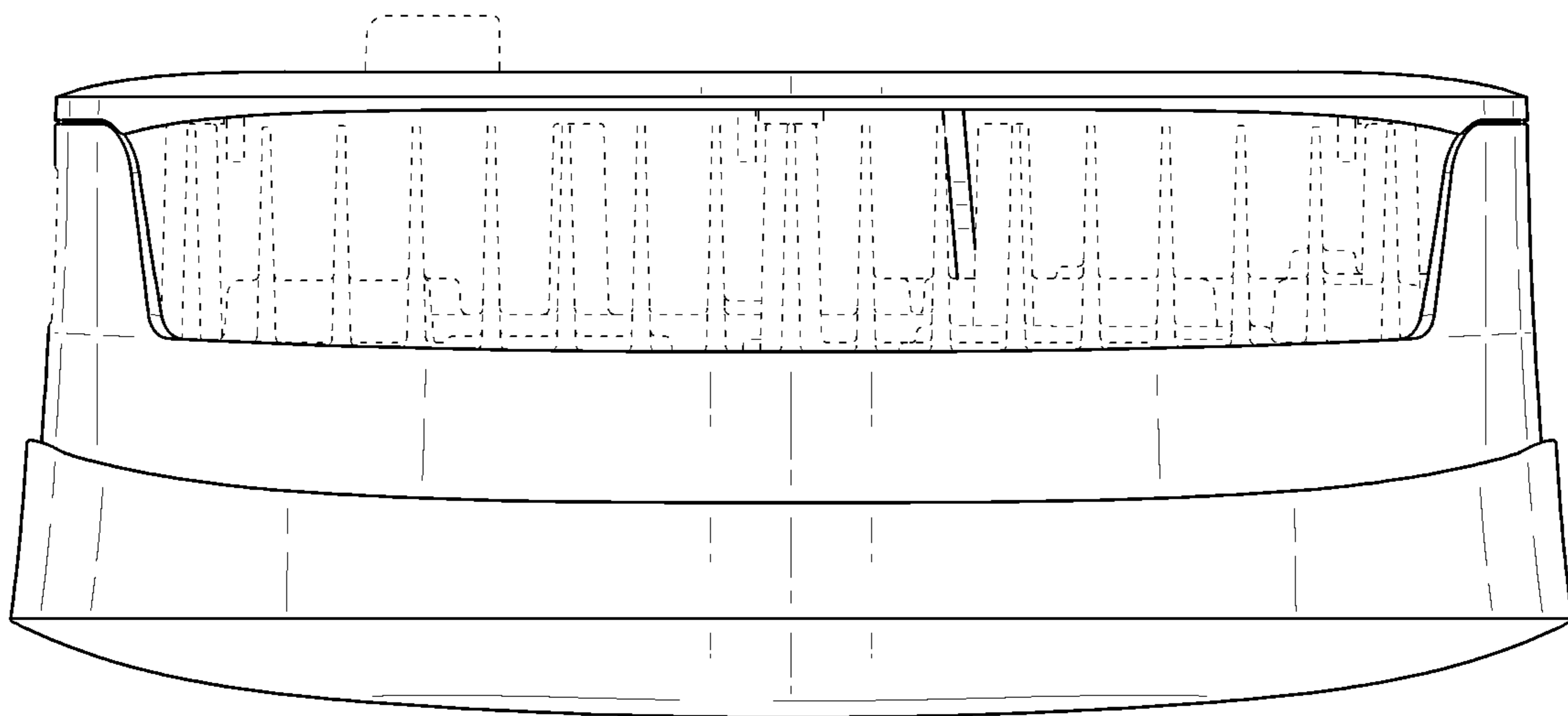


FIG. 7

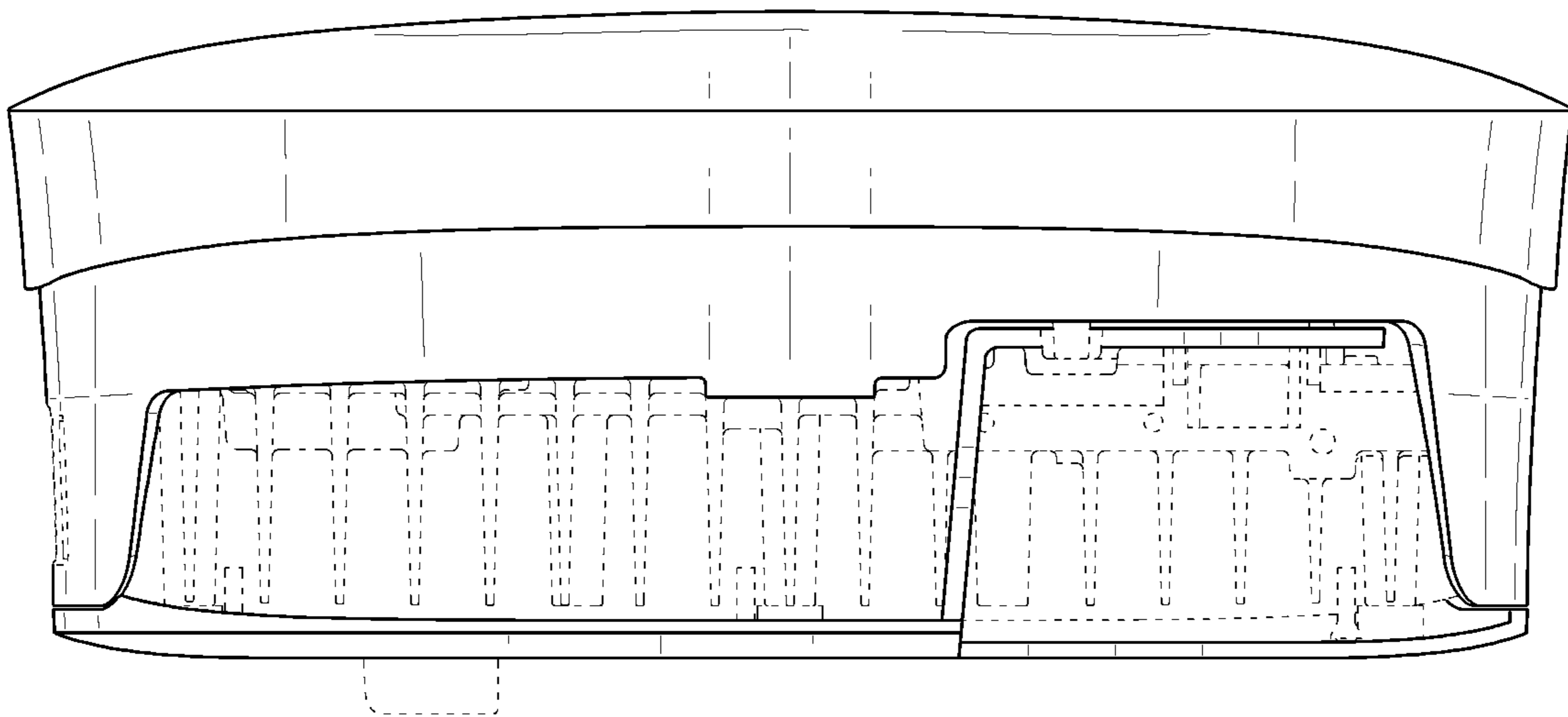


FIG. 8

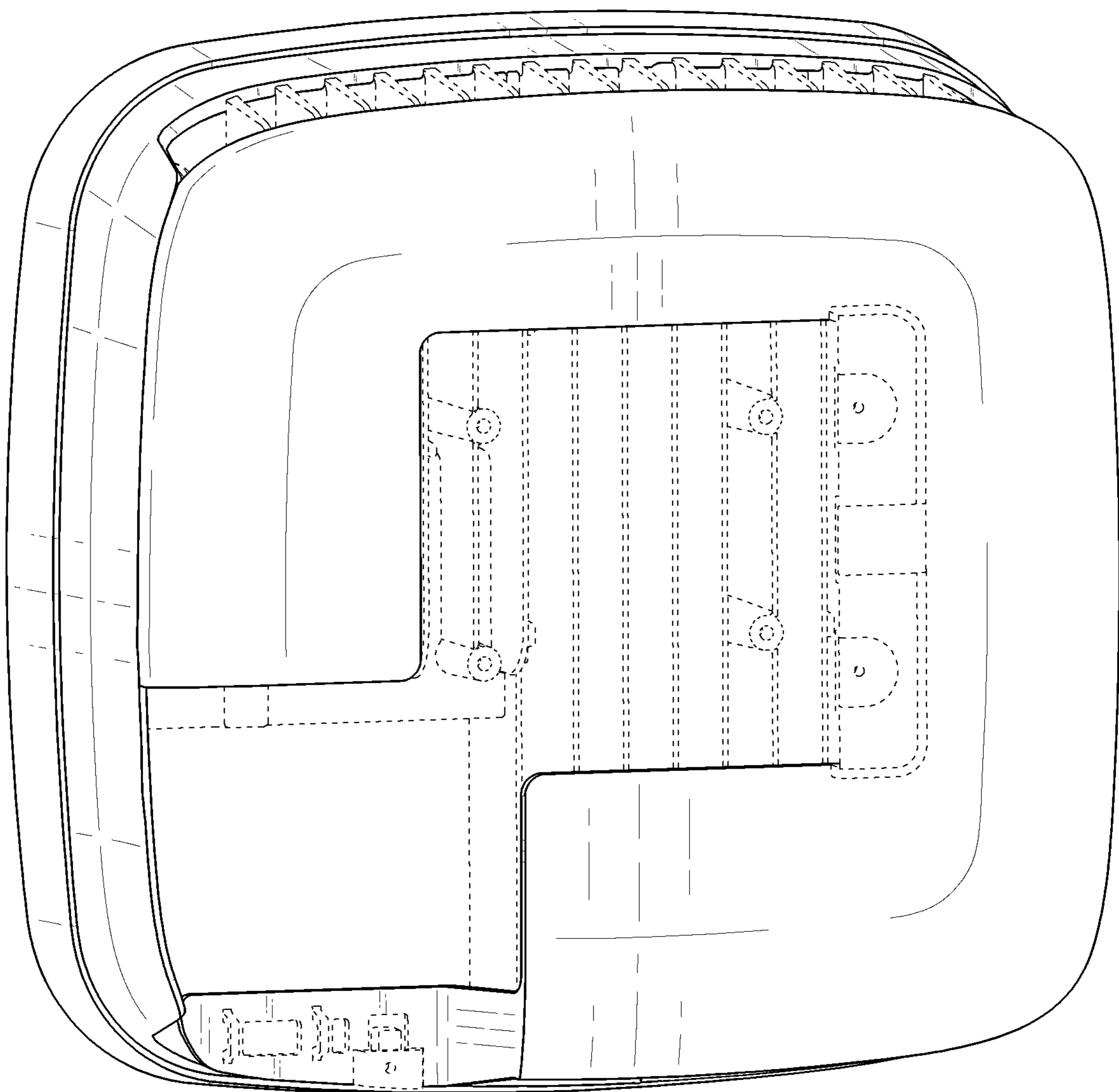


FIG. 9

