



US00D971901S

(12) **United States Design Patent** (10) **Patent No.:** **US D971,901 S**
Xie (45) **Date of Patent:** **** Dec. 6, 2022**

(54) **MONITOR BRACKET**
(71) Applicant: **Shenzhen Bestqi Innovation Technology Co., Ltd, Shenzhen (CN)**
(72) Inventor: **Menghong Xie, Shenzhen (CN)**
(73) Assignee: **Shenzhen Bestqi Innovation Technology Co., Ltd, Shenzhen (CN)**
(**) Term: **15 Years**

D915,362 S * 4/2021 Pei D14/239
D924,245 S * 7/2021 Choi D14/451
D933,671 S * 10/2021 Lyu D14/452
D940,725 S * 1/2022 Jia D14/447
2011/0163215 A1* 7/2011 Walters F16M 11/2092
248/220.22

(Continued)

FOREIGN PATENT DOCUMENTS

CN 305828504 * 6/2020
CN 307003122 * 12/2021

(21) Appl. No.: **29/761,012**

(22) Filed: **Dec. 6, 2020**

(30) **Foreign Application Priority Data**

Nov. 11, 2020 (CN) 202030681110.5

(51) **LOC (13) Cl.** **14-06**

(52) **U.S. Cl.**
USPC **D14/239**

(58) **Field of Classification Search**
USPC D14/239, 371, 372, 373, 374, 375, 376,
D14/377, 447-450, 451, 452, 335-337,
D14/125, 127, 128, 129, 341, 126;
D8/355, 363, 373; D6/672, 682
CPC F16M 11/2085; F16M 11/2092; F16M
11/2007; F16M 11/2014; F16M 11/2021;
F16M 11/105; F16M 11/048; F16M
11/12; F16M 13/022; F16M 11/10
See application file for complete search history.

(56) **References Cited**

U.S. PATENT DOCUMENTS

D581,916 S * 12/2008 Sculler D14/239
7,513,474 B2 * 4/2009 Anderson F16M 11/10
248/284.1
D677,263 S * 3/2013 Luijben D14/451
D811,375 S * 2/2018 Pei D14/239
D836,617 S * 12/2018 Shu D14/239
D858,493 S * 9/2019 Pei D14/239
D915,361 S * 4/2021 Pei D14/239

OTHER PUBLICATIONS

Amazon. Link: https://www.amazon.com/Perlegear-Extension-Bracket-Articulating-600x400mm/dp/B08JSLBL6K/ref=sr_1_2?crid=3G99AXC9OJMWG&keywords=B08JSLBL6K&qid=1642086451&s=electronics&prefix=b08jsl6k%2Celectronics%2C88&sr=1-2. Sep. 23, 2020. Perlegear TV Wall Mount. (Year: 2020).*

(Continued)

Primary Examiner — Lauren D McVey

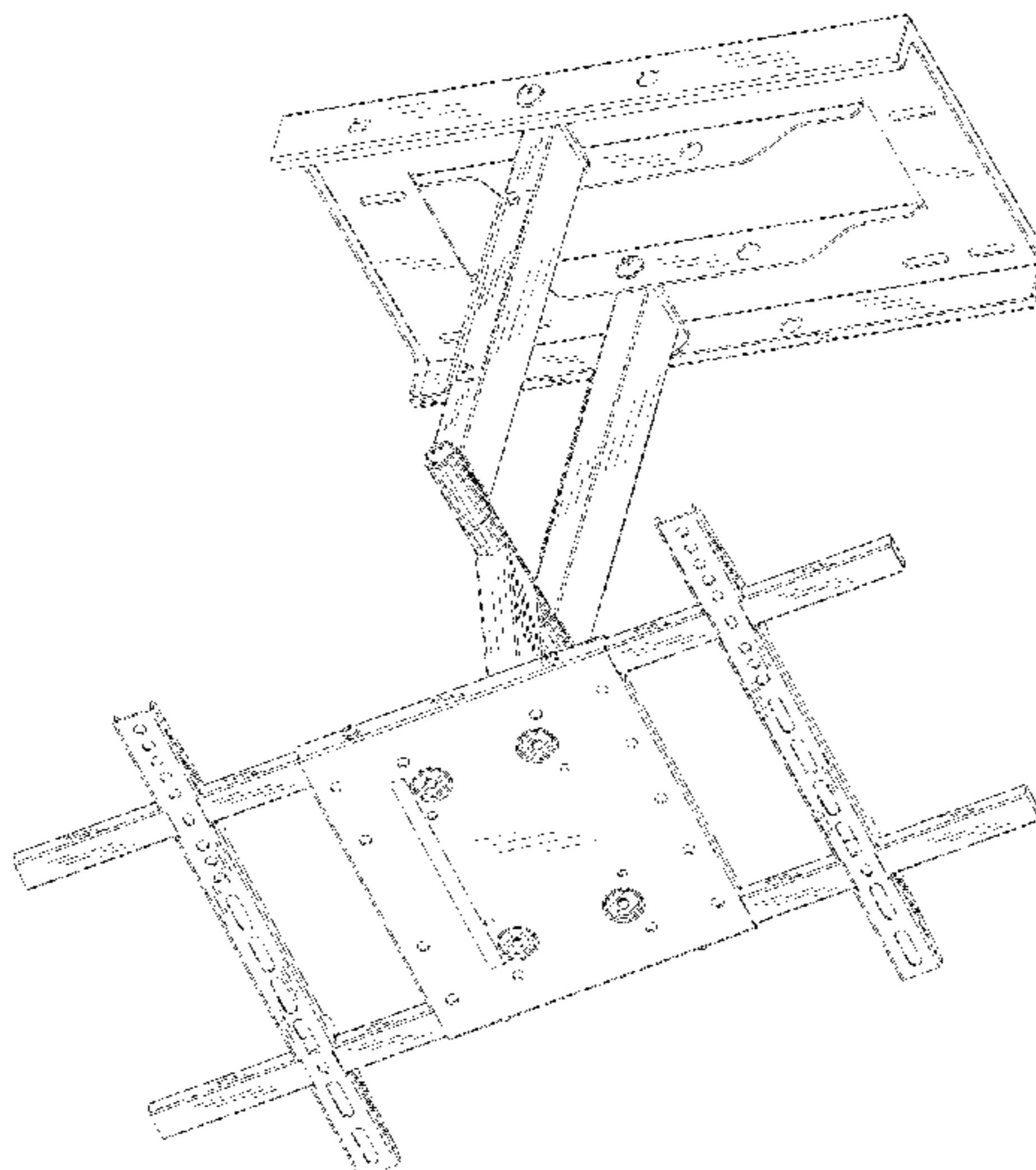
(57) **CLAIM**

The ornamental design for a monitor bracket, as shown and described.

DESCRIPTION

FIG. 1 is a right side view of a monitor bracket showing my new design;
FIG. 2 is a left side view thereof;
FIG. 3 is a bottom plan view thereof;
FIG. 4 is a top plan view thereof;
FIG. 5 is a front view thereof;
FIG. 6 is a rear view thereof;
FIG. 7 is a front, right and top side perspective view thereof;
and,
FIG. 8 is rear, left and bottom side perspective view thereof.
The broken lines in the drawings illustrate portions of the monitor bracket which form no part of the claimed design.

1 Claim, 8 Drawing Sheets



(56)

References Cited

U.S. PATENT DOCUMENTS

2019/0390817 A1* 12/2019 Pei F16M 11/10

OTHER PUBLICATIONS

Alibaba. Link: https://www.alibaba.com/product-detail/heavyduty-articulate-full-motion-tilt-swivel_62247040903.html?spm=a2700.galleryofferlist.normal_offer.d_imag%E2%80%A6. Visited Nov. 19, 2020. 26"-70" screen size VESA600X400 heavy duty full motion TV wall mount bracket. (Year: 2020).*

Amazon. Link: https://www.amazon.com/Tilting-Articulating-Bracket-Horizontal-Centering/dp/B087RP4PZJ/ref=sr_1_2?crid=3P6MP4NXJUS1S&keywords=B087RP4PZJ&qid=1642692090&s=electronics&srefix=b087rp4pzj+%2Celectronics%2C235&sr=1-2. Apr. 28, 2020. PERLESMITH Full Motion TV Wall Mount. (Year: 2020).*

* cited by examiner

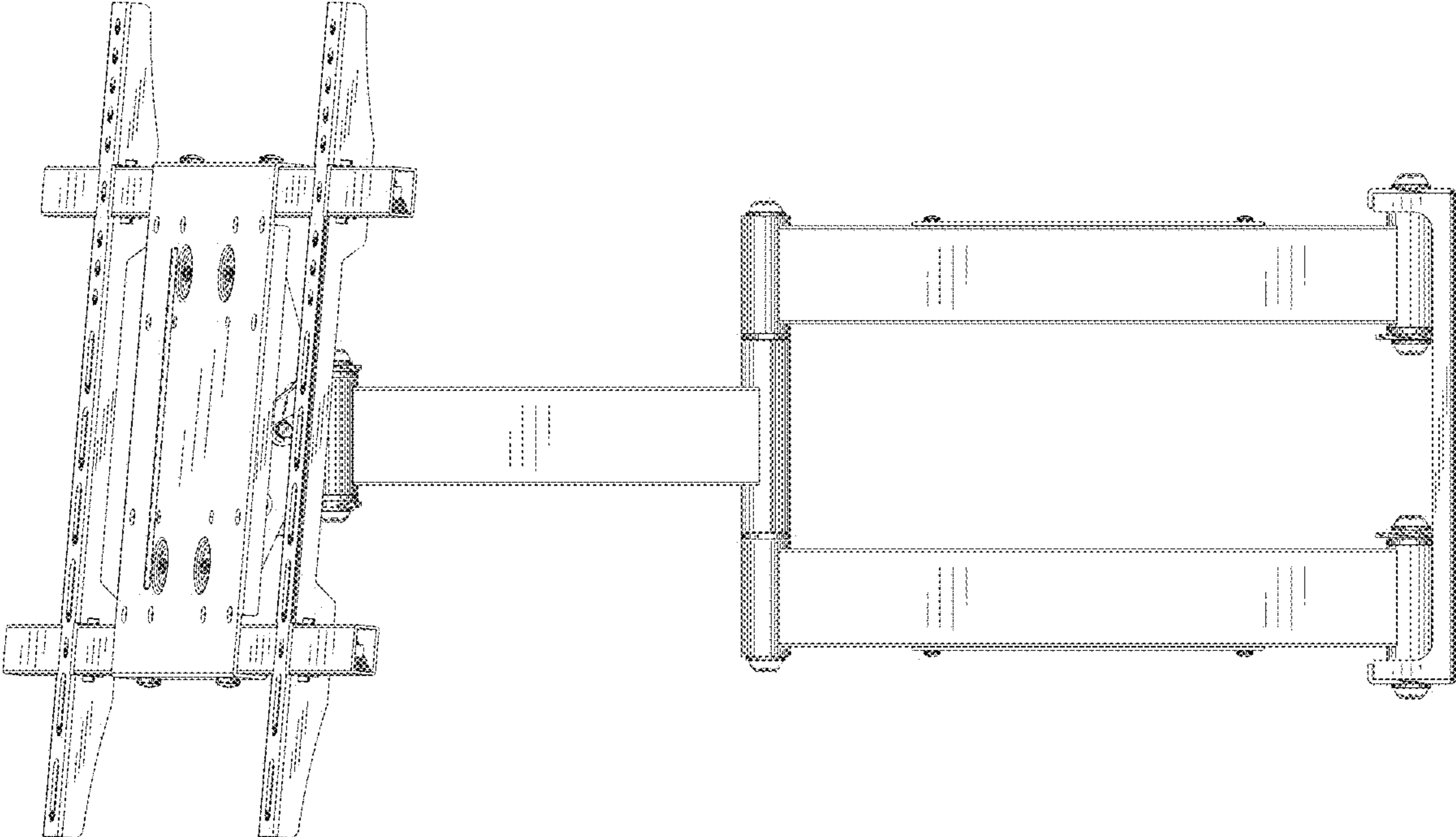


FIG.1

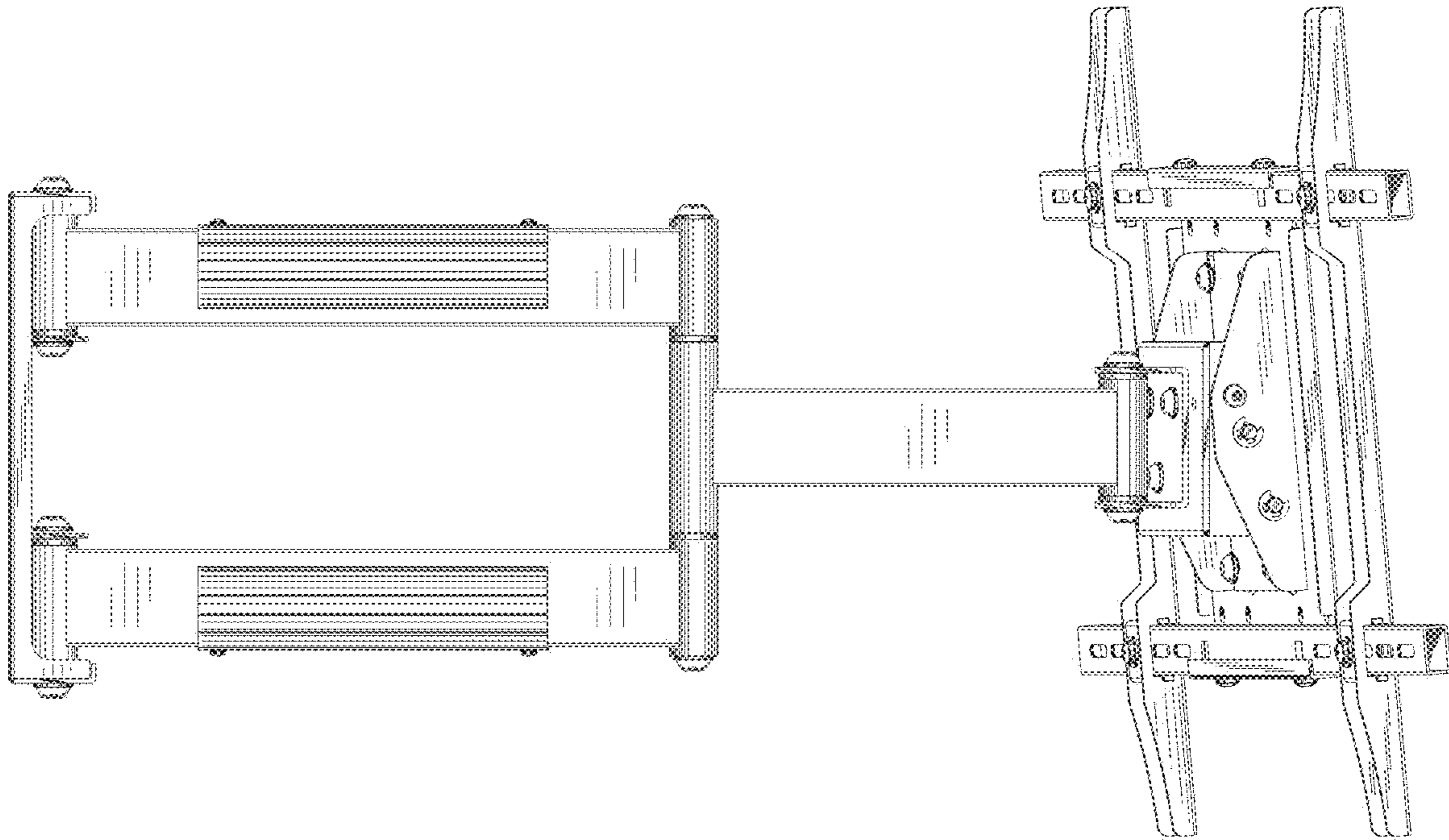


FIG.2

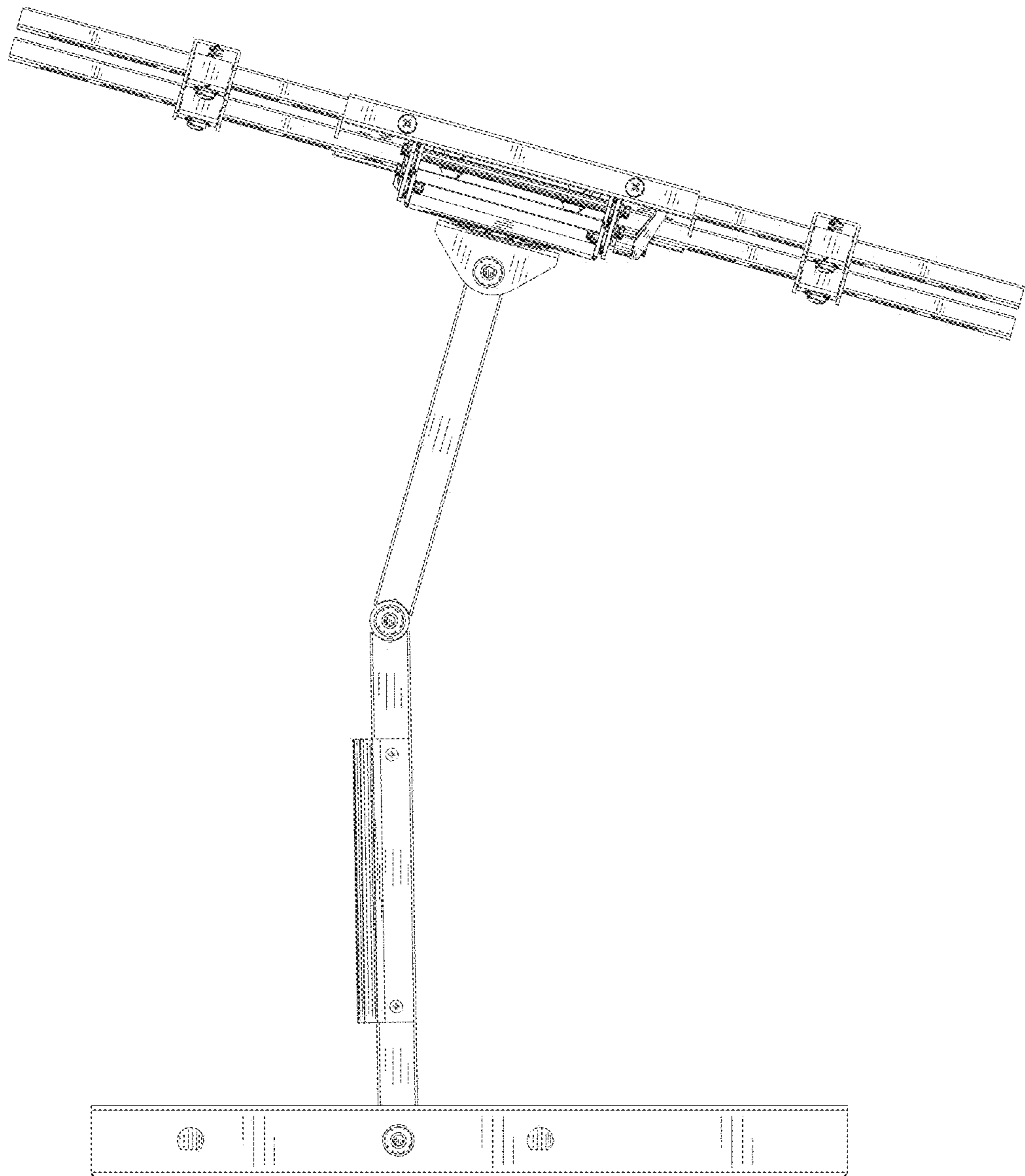


FIG.3

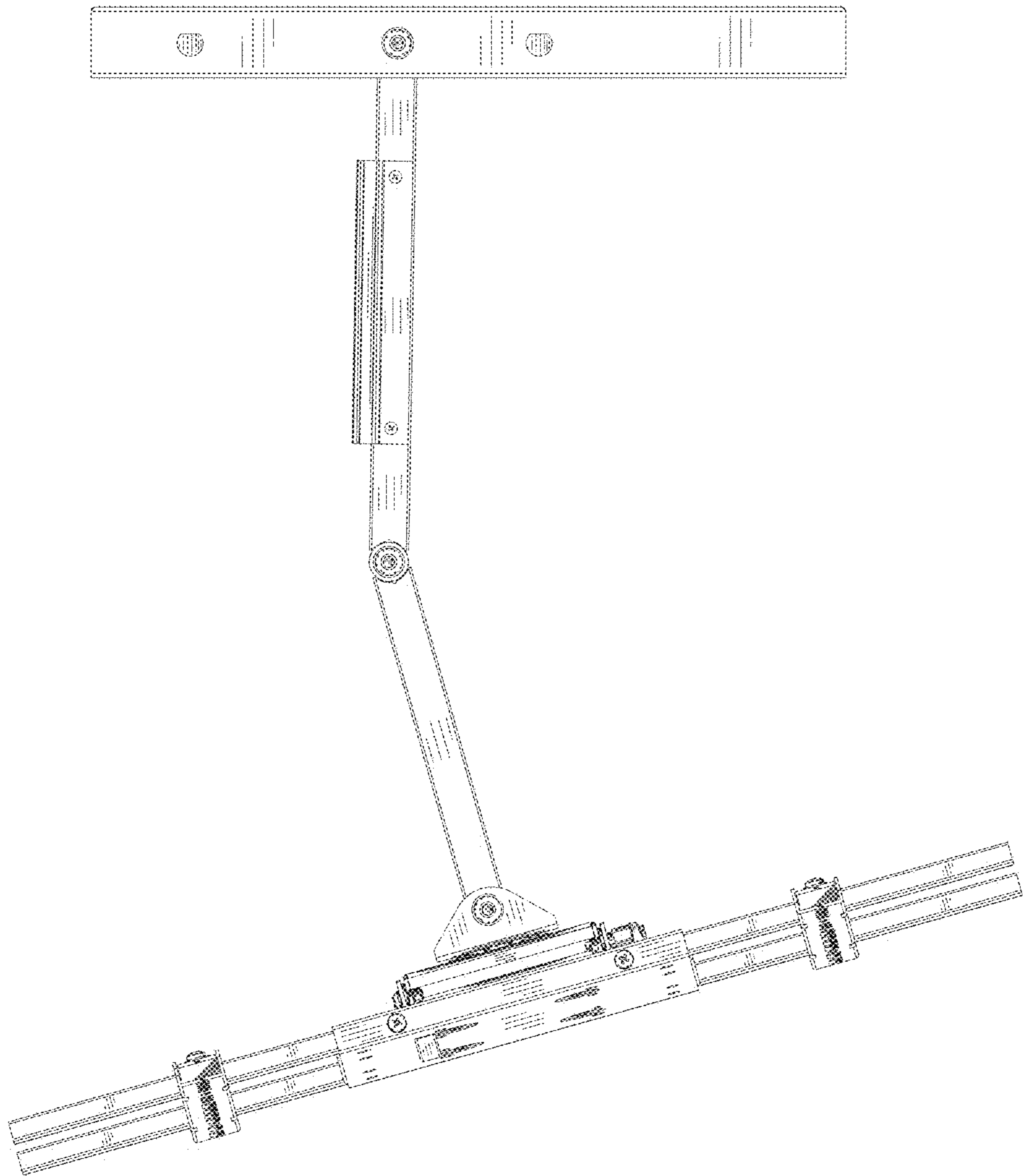


FIG.4

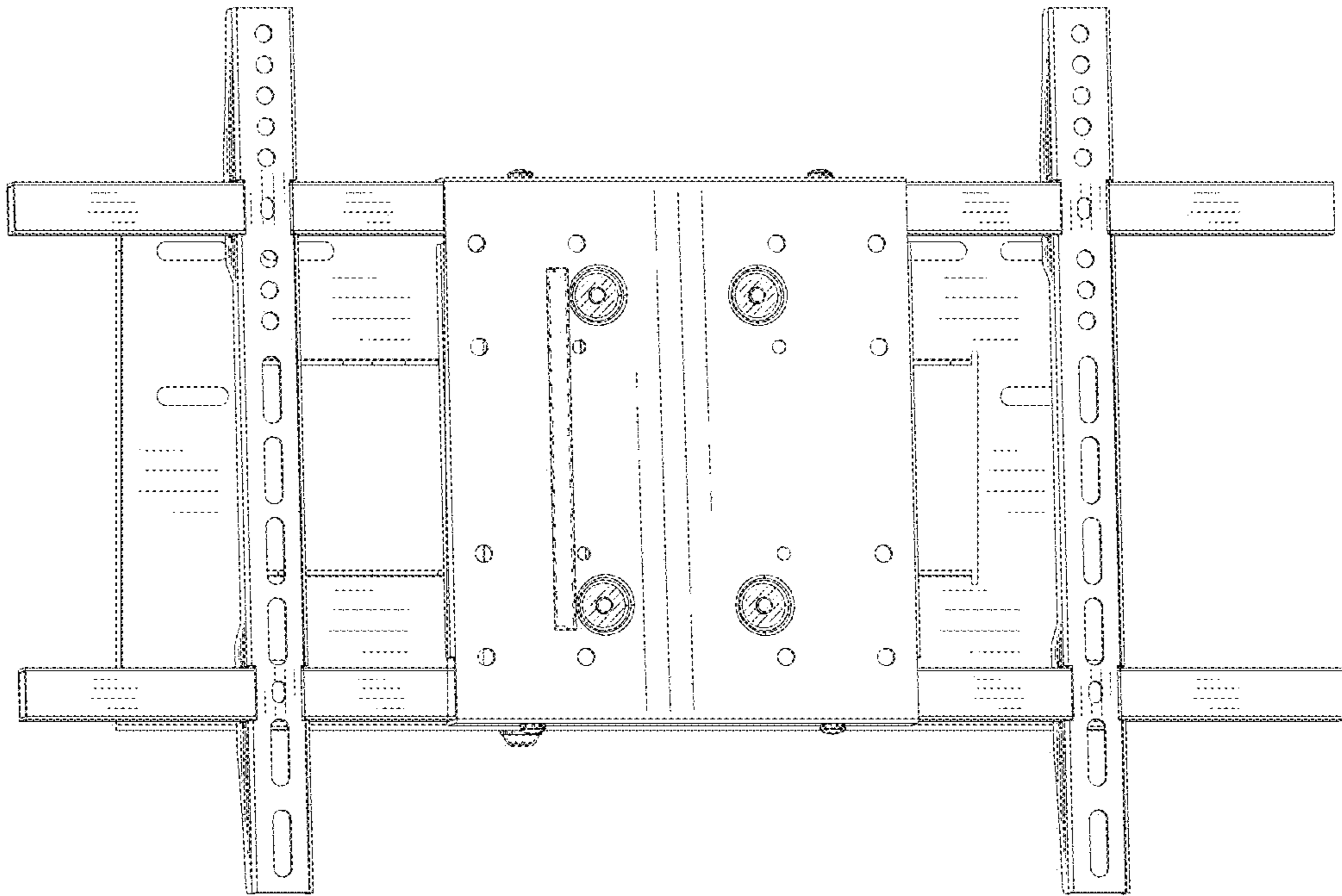


FIG.5

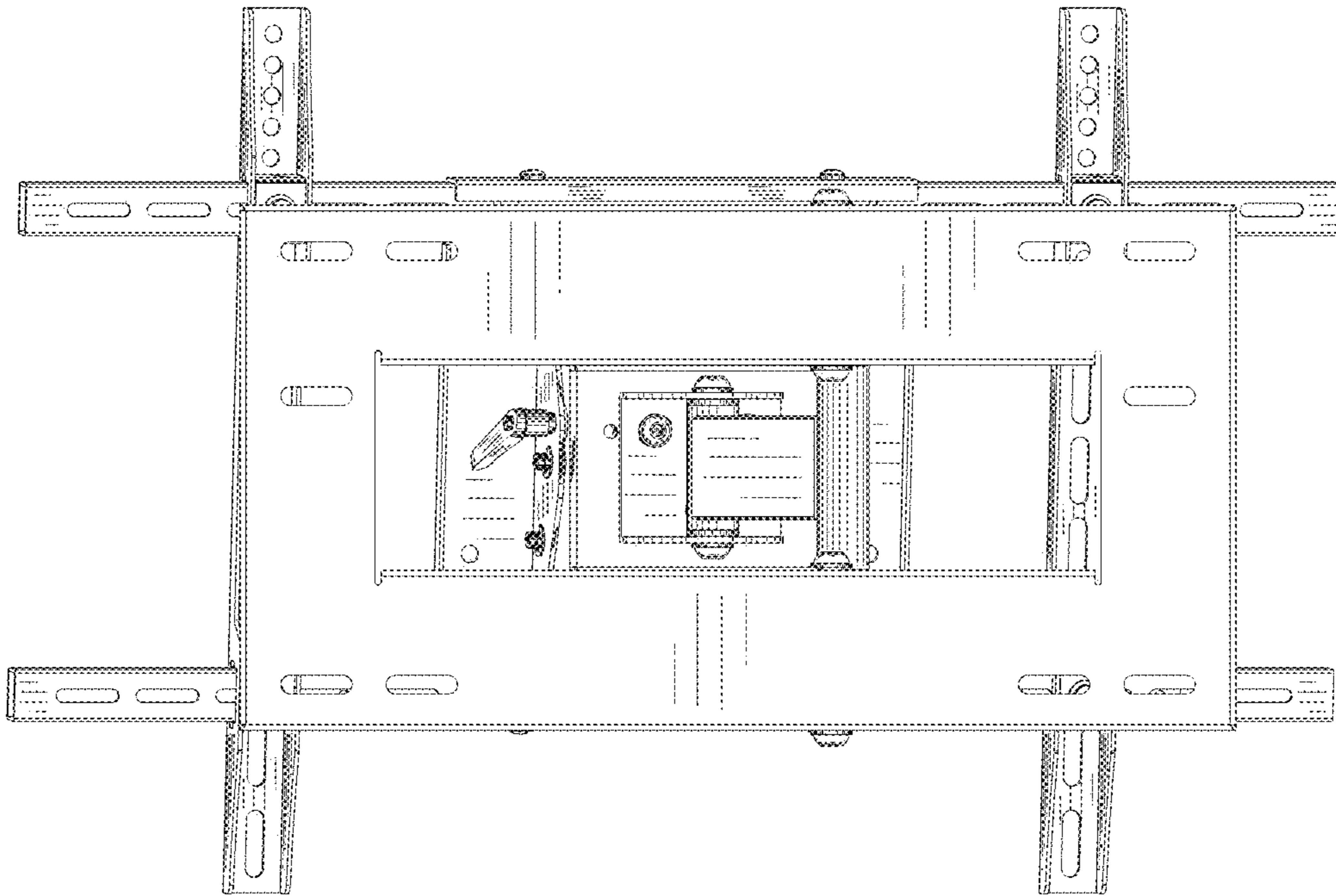


FIG.6

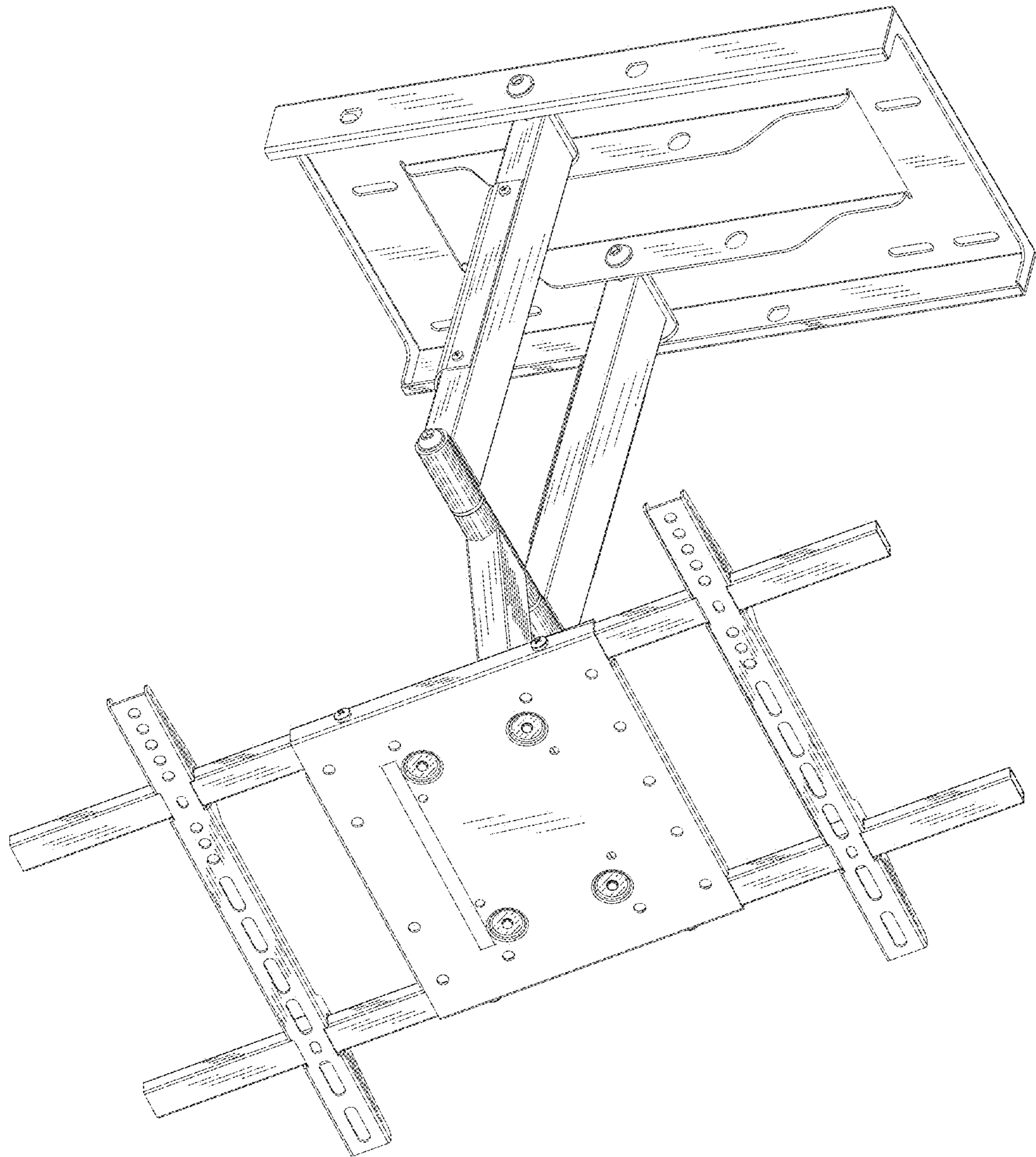


FIG. 7

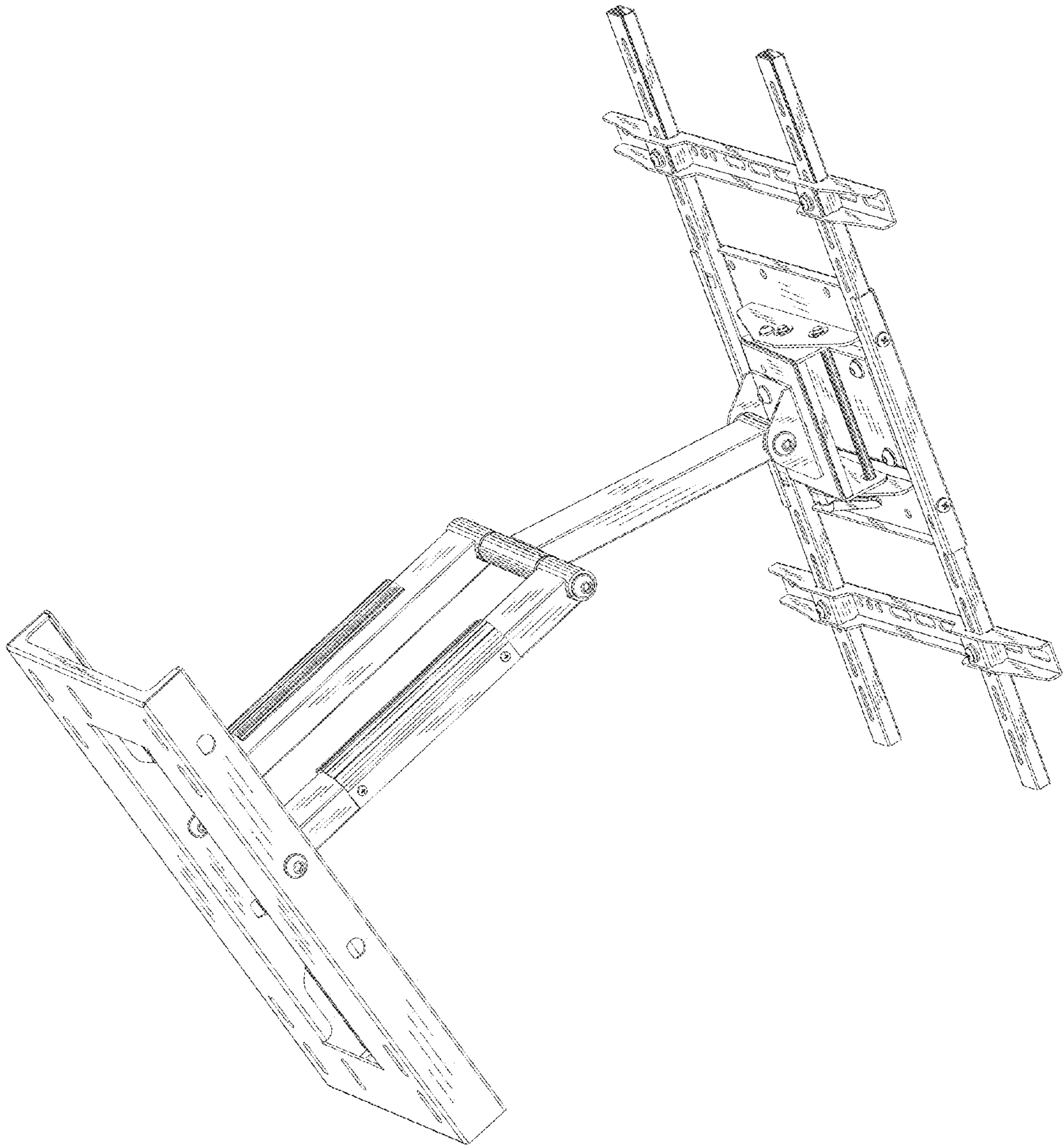


FIG. 8