



US00D971900S

(12) **United States Design Patent**
Milroy et al.

(10) **Patent No.: US D971,900 S**
(45) **Date of Patent: ** Dec. 6, 2022**

(54) **ANTENNA APPARATUS**

- (71) Applicant: **Space Exploration Technologies Corp.**, Hawthorne, CA (US)
- (72) Inventors: **David Milroy**, Kirkland, WA (US); **Anthony Sims**, Manhattan Beach, CA (US); **J Gabriel Rustia**, Pasadena, CA (US)
- (73) Assignee: **Space Exploration Technologies Corp.**, Hawthorne, CA (US)
- (**) Term: **15 Years**

- (21) Appl. No.: **29/693,564**
- (22) Filed: **Jun. 3, 2019**
- (51) **LOC (13) Cl.** **14-03**
- (52) **U.S. Cl.**
USPC **D14/231**
- (58) **Field of Classification Search**
USPC D14/230, 231, 155, 216
CPC H01Q 13/18; H01Q 19/132; H01Q 1/20;
H01Q 19/134; H01Q 19/19; H01Q 19/20;
H01Q 9/28; H01Q 1/44; H01Q 5/45;
G01S 3/56
See application file for complete search history.

(56) **References Cited**

U.S. PATENT DOCUMENTS

- 2,831,948 A 4/1958 Fraser
 - 2,850,735 A 9/1958 Harris
- (Continued)

FOREIGN PATENT DOCUMENTS

- CN 305869075 S 6/2020
 - CN 305920986 * 7/2020
- (Continued)

OTHER PUBLICATIONS

Stainless Steel Stacking Disc . . . , available at sausagemaker.com, oldest review date Feb. 26, 2016 [online], [site visited Feb. 7, 2022], Internet URL: <https://www.sausagemaker.com/Stainless-Steel-Stacking-Disc-Small-p/24-2320.htm> (Year: 2016).*

(Continued)

Primary Examiner — Daniel J Domino

Assistant Examiner — Samina Vieth

(74) *Attorney, Agent, or Firm* — Polsinelli PC

(57) **CLAIM**

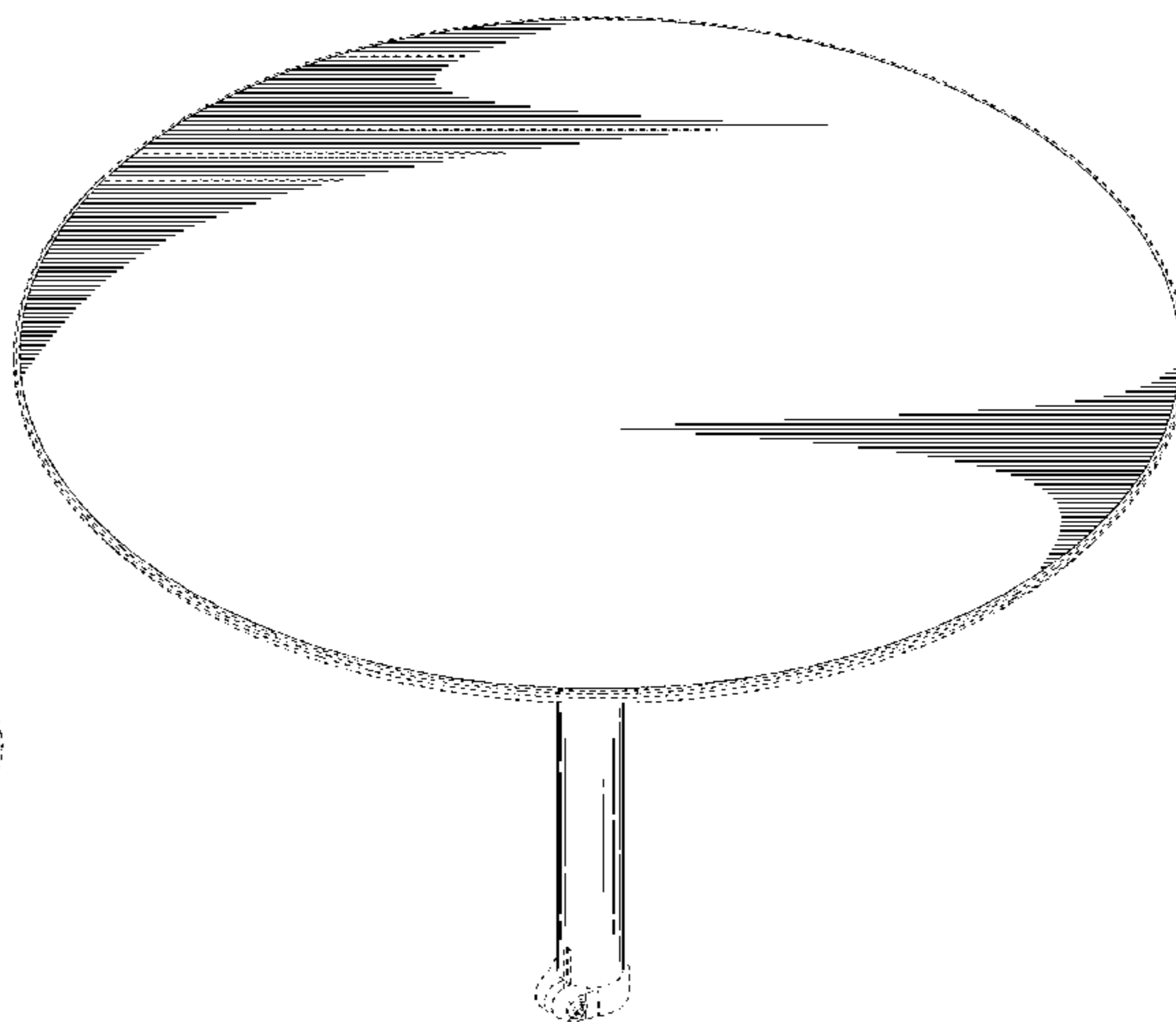
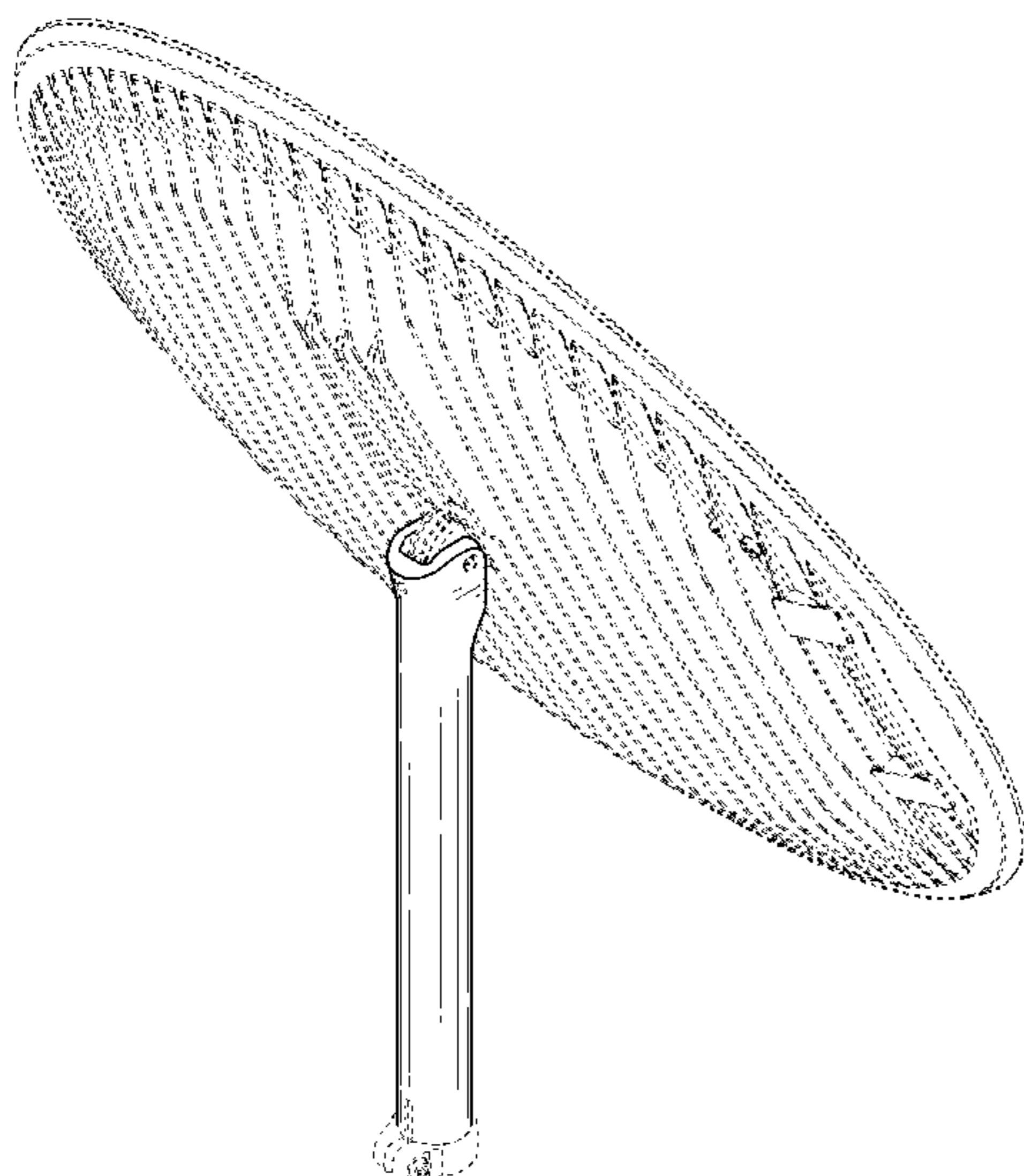
The ornamental design for an antenna apparatus, as shown and described.

DESCRIPTION

FIG. 1 is a bottom perspective view of an antenna apparatus shown in a first configuration;
 FIG. 2 is a left side view of the antenna apparatus shown in FIG. 1;
 FIG. 3 is a top perspective view of the antenna apparatus of FIG. 1 shown in a second configuration;
 FIG. 4 is a bottom perspective view of the antenna apparatus of FIG. 3;
 FIG. 5 is a right side view of the antenna apparatus shown in FIG. 3;
 FIG. 6 is a left side view of the antenna apparatus shown in FIG. 3;
 FIG. 7 is a top view of the antenna apparatus shown in FIG. 3;
 FIG. 8 is a bottom view of the antenna apparatus shown in FIG. 3;
 FIG. 9 is a front view of the antenna apparatus shown in FIG. 3; and,
 FIG. 10 is a rear view of the antenna apparatus shown in FIG. 3.

The broken lines shown in the figures represent portions of the antenna apparatus that form no part of the claimed design.

1 Claim, 10 Drawing Sheets



(56)

References Cited

U.S. PATENT DOCUMENTS

3,611,393 A 10/1971 Kibler
 D236,301 S 8/1975 Mudde
 4,801,946 A 1/1989 Matz, Jr.
 5,038,201 A 8/1991 Brewer et al.
 D322,254 S 12/1991 Su
 5,185,499 A * 2/1993 Yahraus H01R 31/02
 174/59
 5,233,356 A * 8/1993 Lee H01Q 21/22
 342/368
 D339,859 S 9/1993 Cheslock
 D345,362 S * 3/1994 Kadono D14/230
 5,289,932 A * 3/1994 Dimeo B29C 66/21
 D9/449
 5,291,212 A 3/1994 Cox
 D405,430 S * 2/1999 Matsushima D13/182
 D407,696 S * 4/1999 Shimazu D13/182
 5,901,045 A 5/1999 Bencivenga et al.
 5,934,509 A * 8/1999 Niss A21C 15/005
 222/91
 D418,841 S 1/2000 Saslow et al.
 D418,913 S 1/2000 Thakur
 D426,631 S 6/2000 Thakur
 6,072,441 A 6/2000 Tanabe
 D452,229 S 12/2001 Sato
 6,359,596 B1 * 3/2002 Claiborne H01Q 21/20
 343/797
 D457,877 S 5/2002 McDonald et al.
 6,483,475 B1 11/2002 Tokuda
 6,538,605 B2 * 3/2003 Lebaric H01Q 9/36
 343/702
 D483,030 S * 12/2003 Melton D14/230
 D500,646 S * 1/2005 Butler, Sr. D8/107
 D519,992 S 5/2006 McAnally
 D531,875 S * 11/2006 Chen D8/80
 7,161,549 B1 * 1/2007 Cuchanski H01Q 19/19
 343/781 CA
 D585,883 S * 2/2009 Kaneko D14/230
 7,567,215 B1 * 7/2009 All H01Q 21/24
 343/915
 D605,789 S 12/2009 Ko
 D606,952 S * 12/2009 Lee D13/182
 D621,680 S * 8/2010 Hsu D8/303
 D654,774 S * 2/2012 Mullen D8/107
 D661,902 S 6/2012 Italiano
 8,319,697 B2 * 11/2012 Conrad H01Q 19/12
 343/878
 D674,657 S * 1/2013 Fields D7/376
 D688,110 S * 8/2013 Frenkel D8/80
 D694,928 S 12/2013 Chen
 D696,649 S * 12/2013 Siemens D14/231
 D698,765 S 2/2014 Bremaud et al.
 D721,645 S * 1/2015 Brown D13/102
 D725,454 S * 3/2015 Lin D8/52
 D732,644 S * 6/2015 Yamagishi D23/261
 D787,458 S * 5/2017 Kim D13/182
 D793,572 S * 8/2017 Kozuka D24/224
 D794,210 S * 8/2017 Jarvius D24/225
 D803,342 S * 11/2017 Goff D22/199
 D807,481 S 1/2018 lu et al.
 D813,928 S 3/2018 van Hoff et al.
 D816,641 S * 5/2018 Courtney D14/230
 D843,981 S * 3/2019 Yang D14/230
 D843,984 S * 3/2019 Yang D14/230
 D848,295 S * 5/2019 Johnson D10/101
 D853,017 S * 7/2019 Rioux D26/118
 D855,171 S 7/2019 Xu
 D862,404 S * 10/2019 Murata D13/182
 D863,614 S 10/2019 Renvall
 D864,172 S * 10/2019 Yang D14/230
 D864,880 S 10/2019 Mishim
 D865,725 S 11/2019 Yang
 D868,993 S * 12/2019 Isozaki D24/224
 D868,995 S * 12/2019 Tanaka D24/225
 D872,713 S 1/2020 Courtney et al.

D873,224 S 1/2020 Mishim
 D897,805 S * 10/2020 Cate D8/80
 D898,180 S 10/2020 Du
 D900,394 S * 10/2020 Bowker D28/48
 10,847,893 B2 11/2020 Dominocielo et al.
 D904,359 S 12/2020 Ahn
 D907,609 S 1/2021 Courtney et al.
 D909,323 S * 2/2021 Yoshida D13/199
 D924,823 S 7/2021 Saiki et al.
 D924,854 S * 7/2021 Zhao D14/230
 D928,752 S 8/2021 Tinaphong et al.
 D932,855 S 10/2021 Brahmabhatt
 D941,271 S * 1/2022 Ray D14/219
 D942,431 S 2/2022 Zhao
 D946,093 S * 3/2022 Park D21/662
 D947,604 S * 4/2022 Feng D7/649
 2006/0114655 A1 6/2006 Wallace
 2008/0239674 A1 10/2008 Gustine et al.
 2008/0278399 A1 * 11/2008 Nakajima H01Q 1/42
 343/878
 2011/0193764 A1 * 8/2011 Shen H01Q 1/125
 343/882
 2016/0006115 A1 1/2016 Etzkorn
 2016/0036134 A1 2/2016 Clayton et al.
 2016/0352022 A1 12/2016 Thomson et al.
 2017/0097196 A1 4/2017 Yoo et al.
 2020/0381815 A1 12/2020 Milroy et al.
 2020/0381816 A1 * 12/2020 Milroy H01Q 9/0414
 2020/0381842 A1 * 12/2020 Milroy H01Q 15/144
 2021/0135696 A1 * 5/2021 Jang H04B 1/28

FOREIGN PATENT DOCUMENTS

CN 305965554 * 8/2020
 CN 306040152 S 9/2020
 CN 306587742 * 6/2021
 CN 306984978 12/2021
 JP D1676649 * 1/2021
 JP D1676650 * 1/2021
 JP D1676651 * 1/2021
 JP D1676652 * 1/2021
 JP D1676653 * 1/2021

OTHER PUBLICATIONS

Heying 15pcs Black Acrylic Round Circle . . . , available at amazon.com, date first available Jun. 2, 2018 [online], [site visited Feb. 7, 2022], Internet URL: https://www.amazon.com/dp/B07DH4FD38/ref=cm_sw_em_r_mt_dp_4QB2B14JCCZJH3HWM7G (Year: 2018).*

Spancraft Glass, 42" Round Clear Tempered Glass Table Top . . . , available at amazon.com, date first available Aug. 11, 2018 [online], [site visited Feb. 7, 2022], Internet URL: https://www.amazon.com/dp/B001E6F3BA/ref=cm_sw_em_r_mt_dp_K52J7250JV2D4N5JV5AV?_encoding=UTF8&psc=1 (Year: 2008).*

Adhesive Disk to Mount Magnetic Antenna . . . , available at signalbooster.com, oldest review date Jul. 19, 2021 [online], [site visited Feb. 7, 2022], Internet URL: <https://www.signalbooster.com/products/adhesive-disk-to-mount-magnetic-antenna-on-non-magnet-vehicle-roof> (Year: 2021).*

Juventus, 20 Round Metal Disks . . . , available at amazon.com, date first available Apr. 30, 2018 [online], [site visited Feb. 7, 2022], Internet URL: <https://www.amazon.com/20-Round-Metal-Disks-Thickness/dp/B07CRQ5M3M> (Year: 2018).*

Ozgoe, JF-03 Happy Bell (8 Pack) Mount Metal . . . , available at amazon.com, date first available Dec. 6, 2015 [online], [site visited Feb. 10, 2022], Internet URL: https://www.amazon.com/Ozgoe-JF-03-Magnetic-Adhesive-Rectangular/dp/B0190BLT2M/ref=psdc_1293686011_t4_B0823FLL2C (Year: 2015).*

Toshiba Energy and Electronics Catalog, BS-Antenna Model BSA-F35(N) Skyliner Parabolic Antenna, English Translation, Jul. 1, 1991, pp. 1-3.

1 in x24in Polyethylene Pipe, available in homedepot.com, oldest review date Dec. 9, 2014 [online], [site visited Feb. 9, 2022],

(56)

References Cited

OTHER PUBLICATIONS

Internet URL: <https://www.homedepot.com/pNPC-1-in-x-24-in-Polyethylene-Pipe-410/202277579?source=shoppingads&locale=en-US> (Year: 2014).

Winegard 76cm Satellite Dish . . . , available in solidsignal.com, oldest review date Mar. 16, 2018 [online], [site visited Feb. 8, 2022], Internet URL: https://www.solidsignal.com/winegard-76cm-satellite-dish-antenna-w-universal-lnb-clamp-ds-2076?utm_source=google&utm_medium=cse&utm_term=DS2076&gclid=EAIalQobC (Year: 2018).

Shakespeare Seawatch 15" Marine TV Antenna . . . , available in hodgesmarine.com, oldest review date Jun. 9, 2017 [online], [site visited Feb. 8, 2022], Internet URL: <https://www.hodgesmarine.com/sha3015-shakespeare-seawatchreg-15-marine-tv-antenna.html> (Year: 2017).

Starlink Install, Speed Test, and Review, available in youtube.com, published on Apr. 9, 2021 [online], [site visited Feb. 10, 2022], Internet URL: <https://www.youtube.com/watch?v=JOMbJAXzGfs> (Year: 2021).

The Wifi Umbrella Ultra, available in youtube.com, published Apr. 26, 2018 [online], [site visited on Feb. 9, 2022], Internet URL: <https://www.youtube.com/watch?v=E1iv30peQ1g> (Year: 2018).

Wilson Outdoor Antenna Mounts, available in wilsonamplifiers.com, oldest review date Feb. 1, 2020 [online], [site visited Feb. 8, 2022], Internet URL: <https://www.wilsonamplifiers.com/wilson-outdoor-antenna-mounts/?sku=WA901117&gclid=EAIalQobChMljPzPpqHz9QIVgb2GCh0eNwiWEAQYByABEgKSQPD> BwE (Year: 2020).

Winegard Pathway X2 . . . , available in dishformytv.com, oldest review date May 5, 2017 [online], [site visited Feb. 8, 2022], (Year: 2017) [Line U cont'd] Internet URL: <https://www.dishformnyrv.com/winegard-pathway-x2-bundle-with-wally/?st-t=D4RV> Adwords& utnn source=adwords&utnn campaign=DishForMyRV+Cannpaig n&utnn term=&utnnmedium=ppc&hsa cam=1342011734&hsa acc =7879220173&hsa kw=&hsa src=s&hsa grp=53472602066&hsatgt= pla-320059304314&hsa net= (Year: 2017).

Winegard TB-0005 Mounting Pole., available in officedepot.com, oldest review date Nov. 2021 [online], [site visited Feb. 8, 2022], Internet URL: <https://www.officedepot.com/a/products/3030551/Winegard-TB-0005-Mounting-Pole-for/?utnn source=google& utnn nmediunn=sag> (Year: 2021) [Line U con'td] Internet URL: <https://www.officedepot.com/a/products/3030551/Winegard-TB-0005-Mounting-Pole-for/?adwords&hsaad=262047004525&hsa ver=3&hsa nnt=&gclid=EAIalQobChMI-sCI0Pvt9QIVBeXICH2BA Ae2EAQYDiABEglnTPDBwE> (Year: 2017).

* cited by examiner

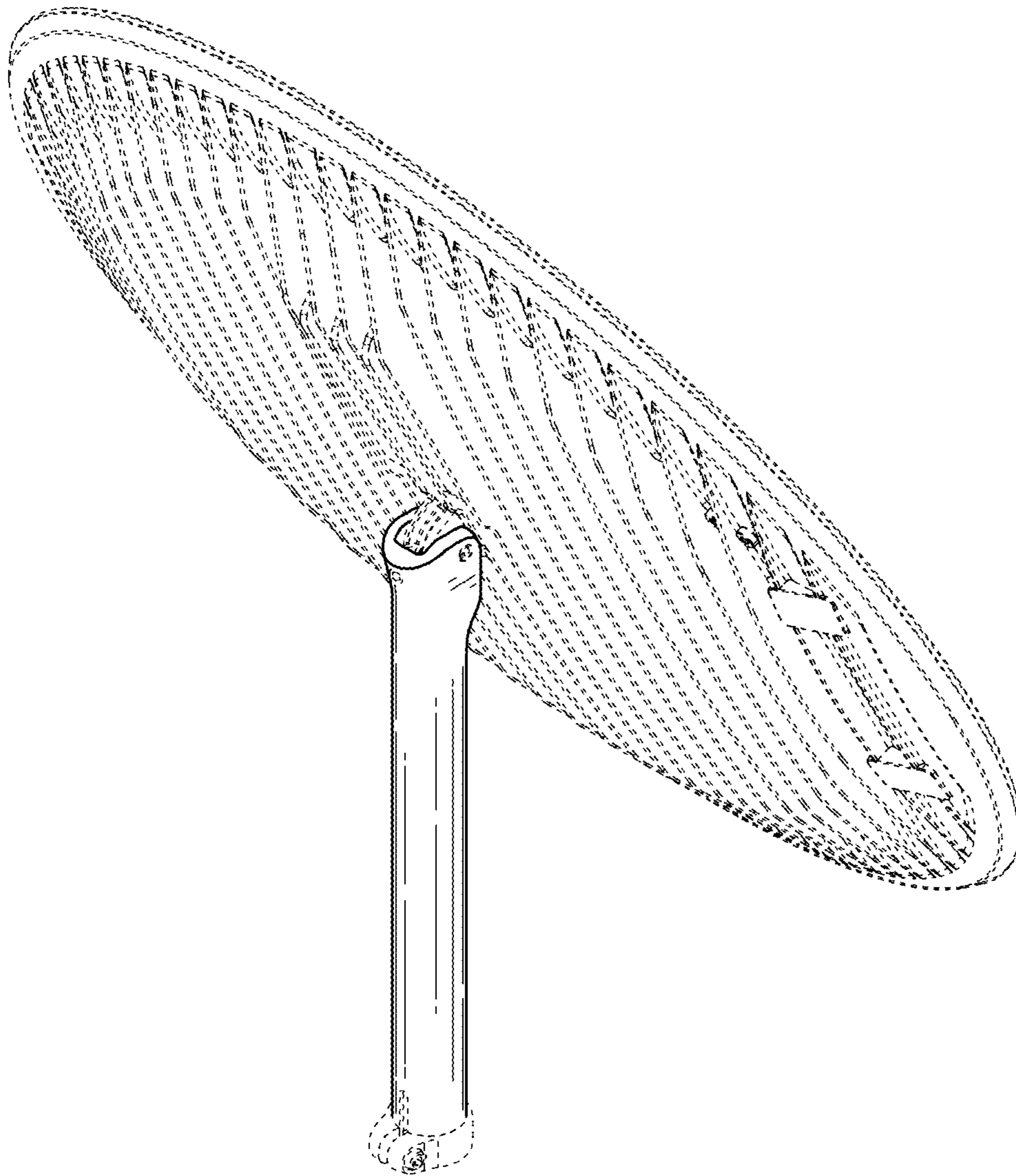


FIG. 1

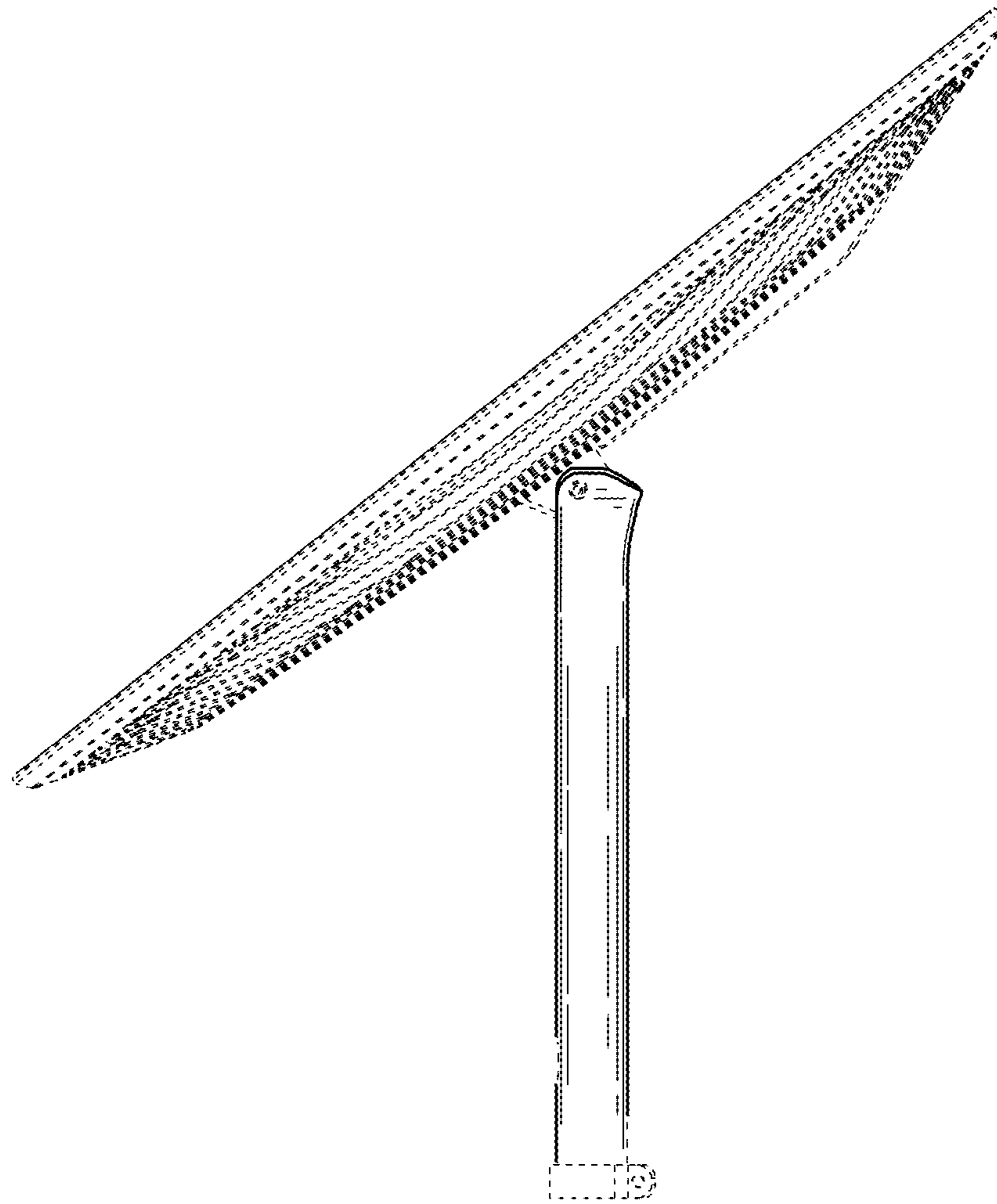


FIG. 2

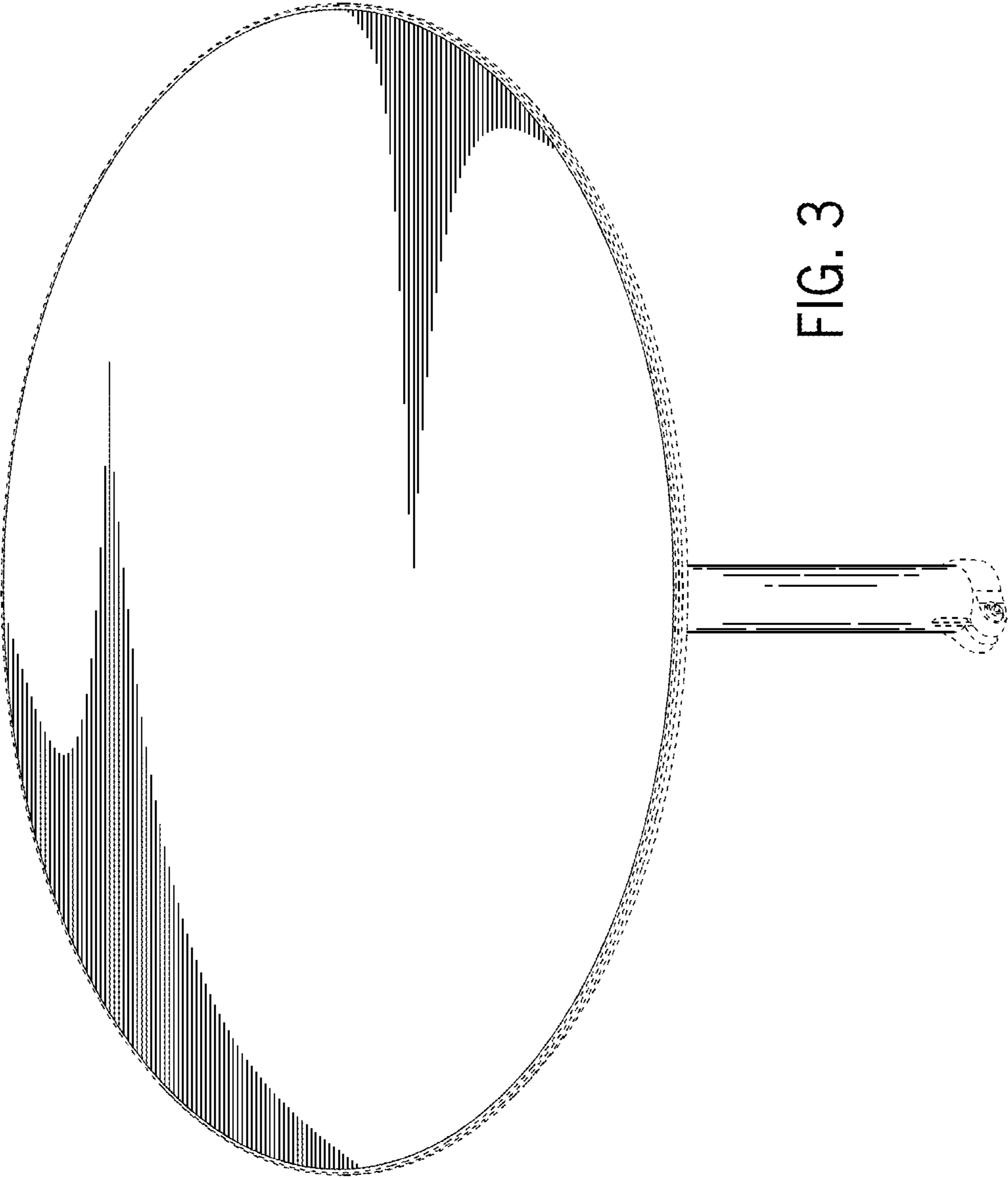


FIG. 3

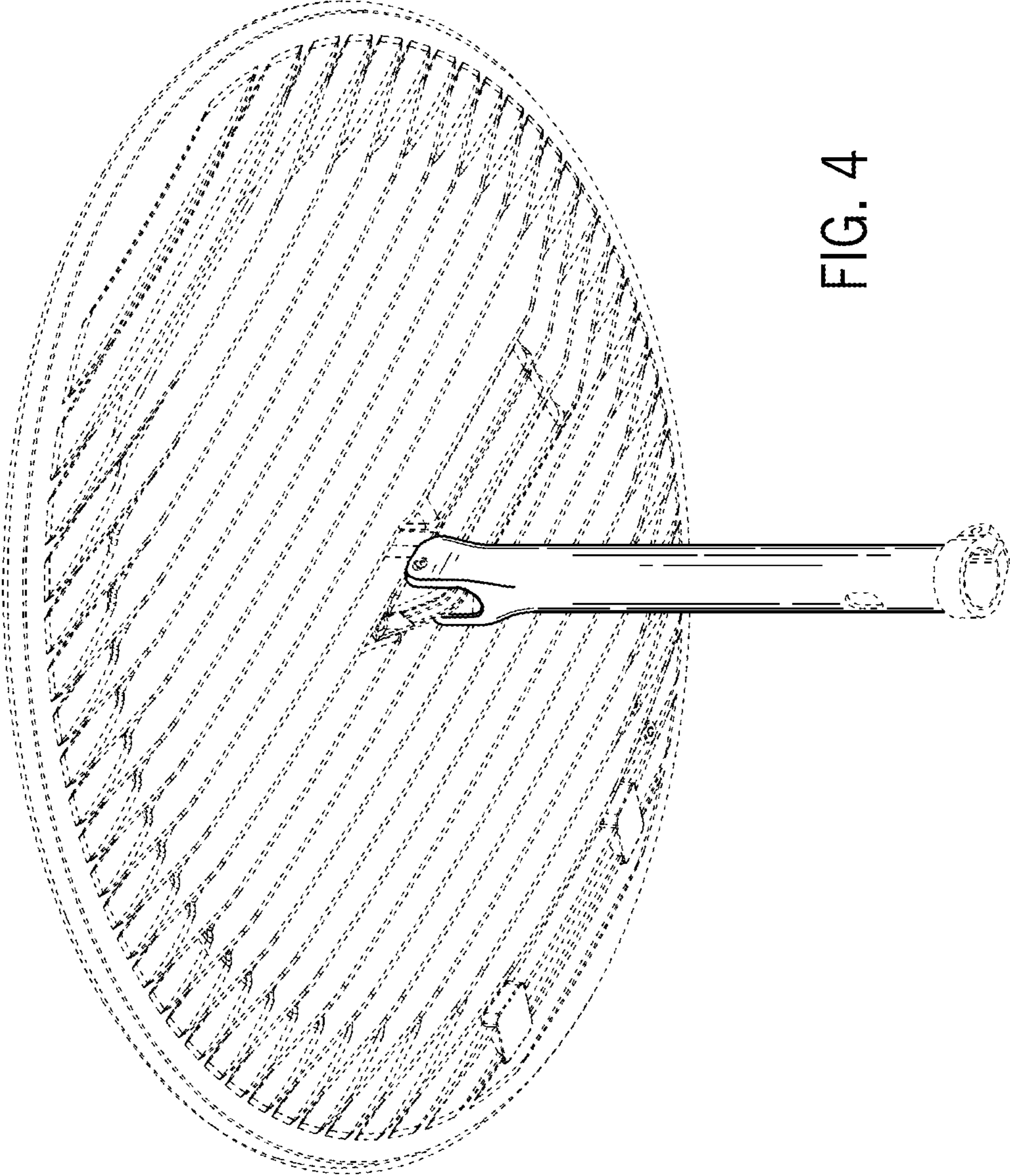


FIG. 4

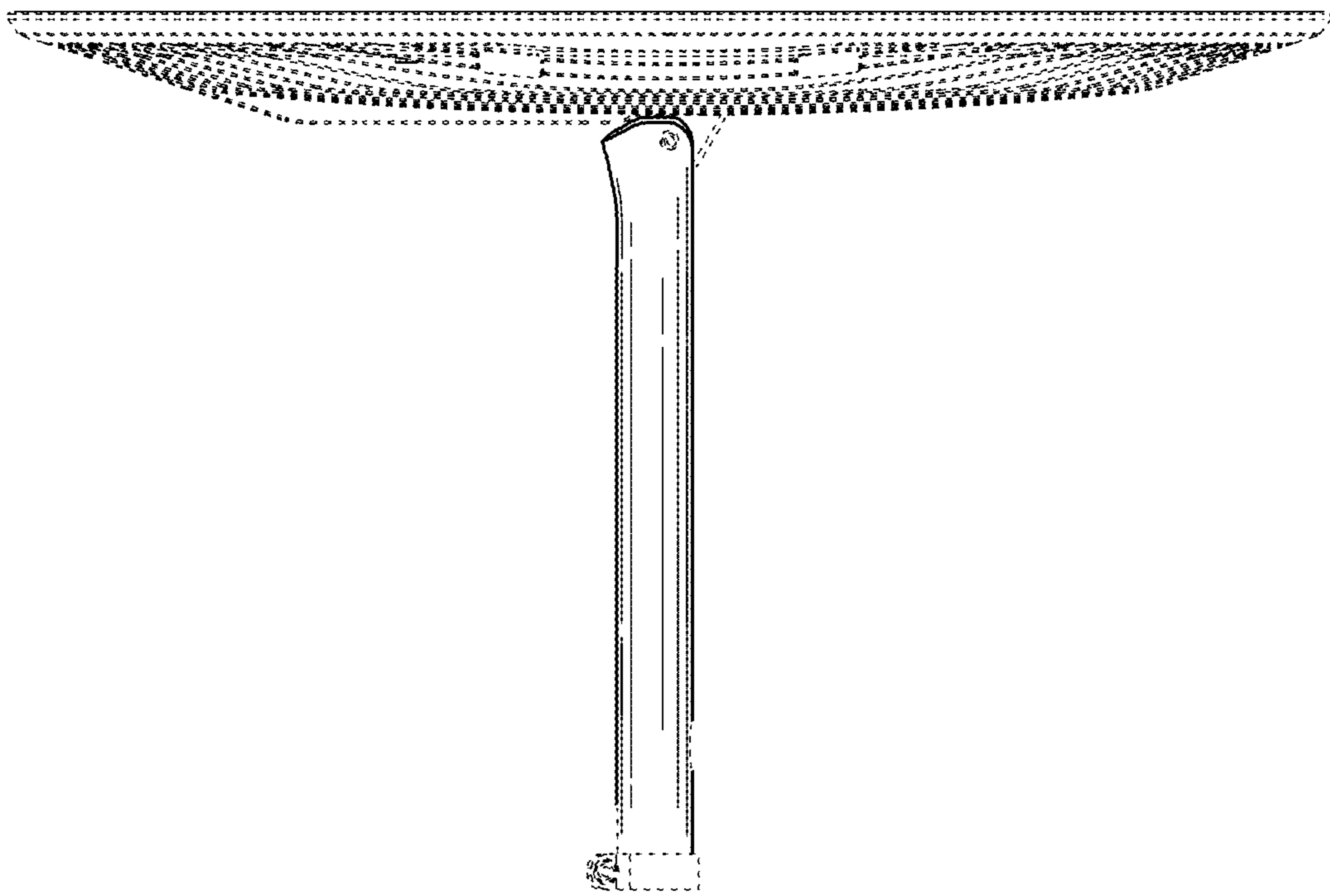


FIG. 5

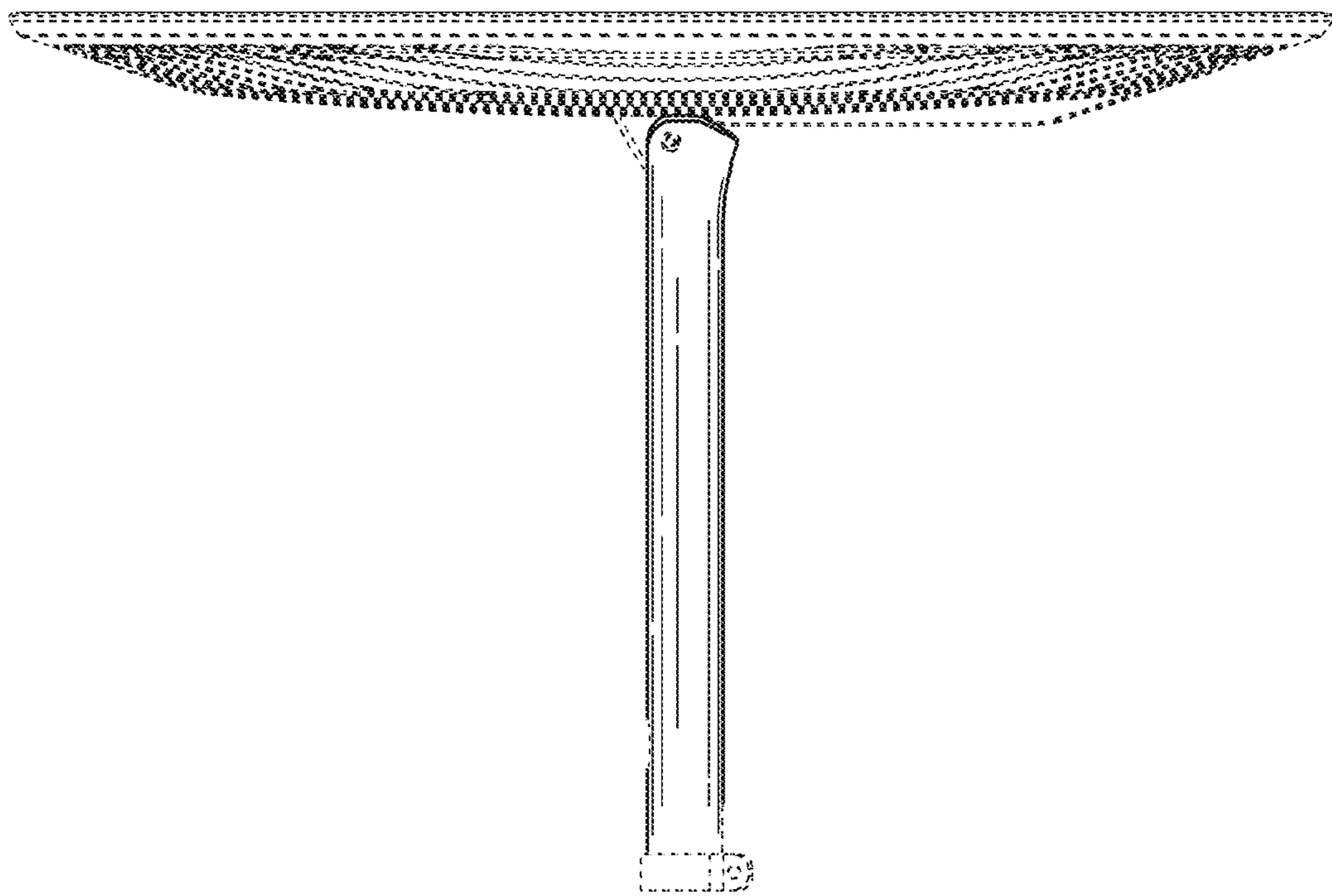


FIG. 6

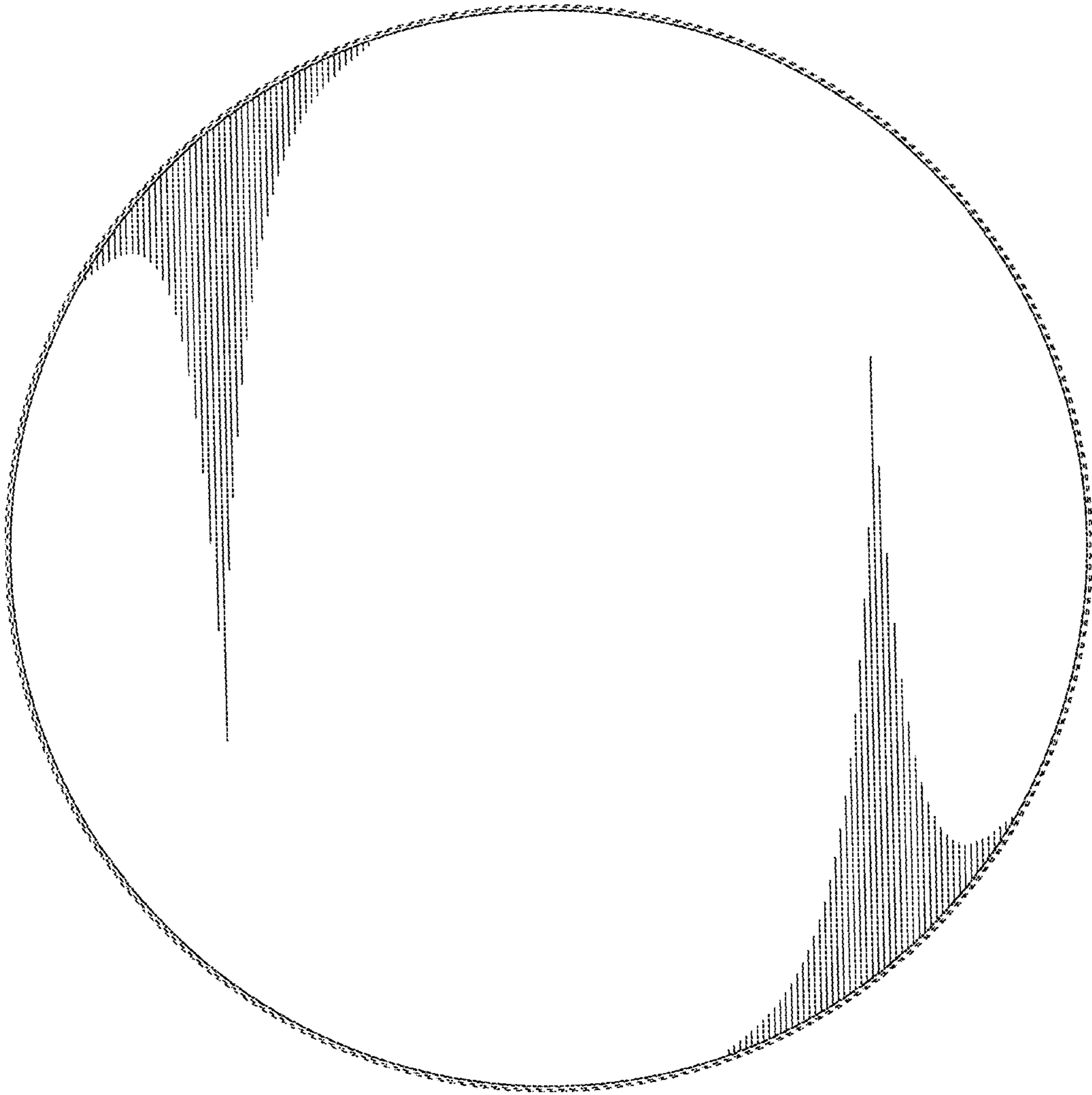


FIG. 7

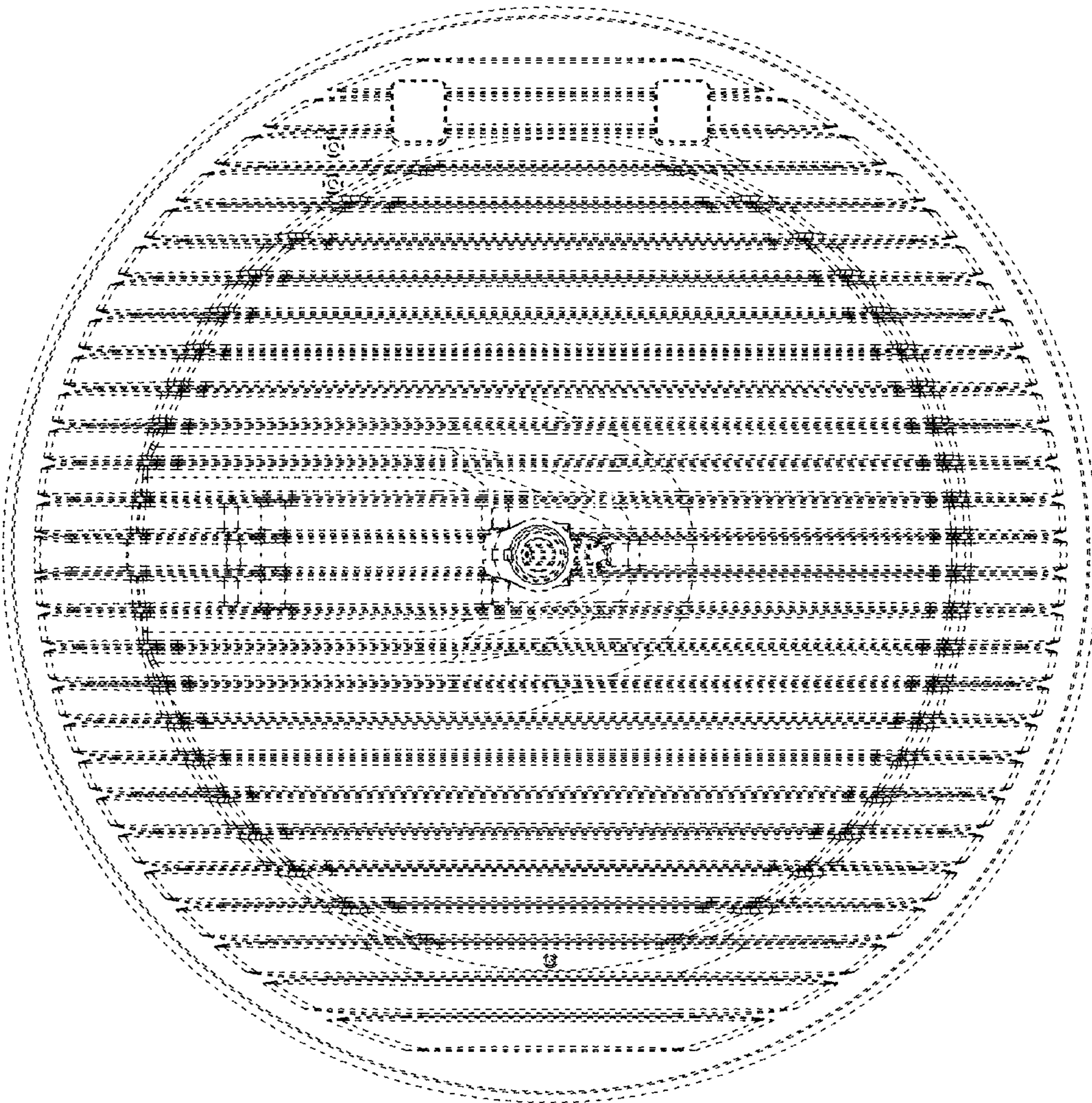


FIG. 8

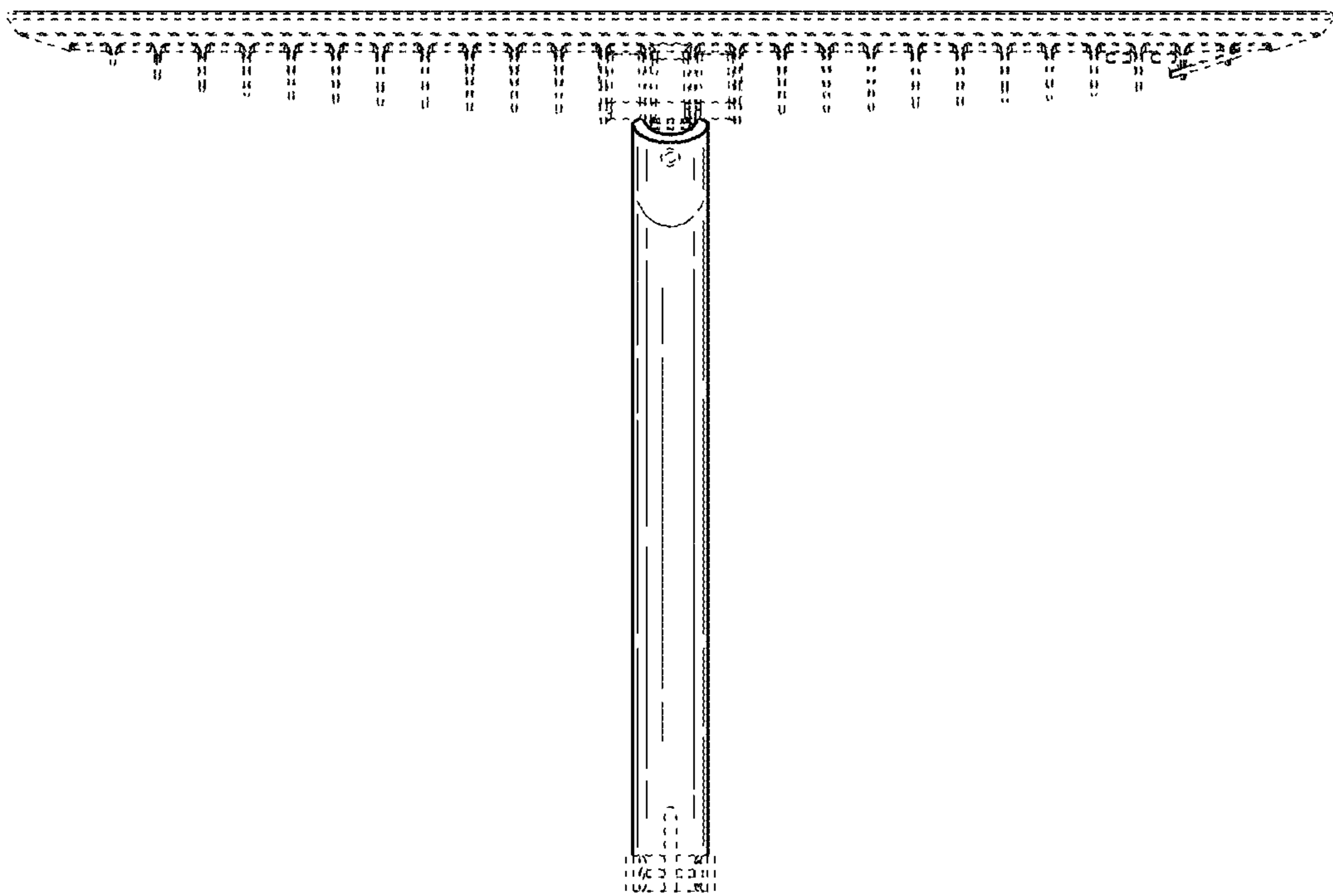


FIG. 9

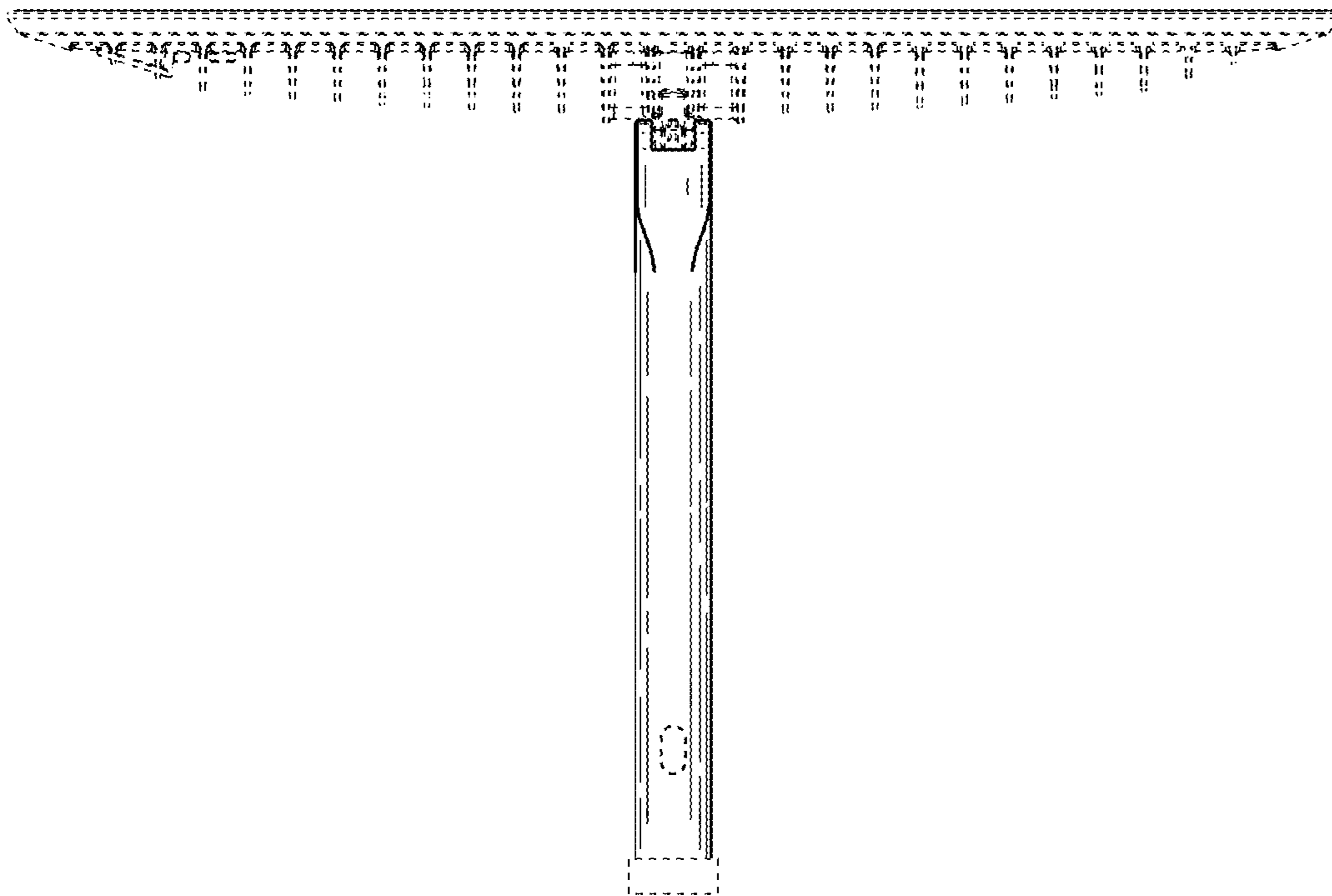


FIG. 10