



US00D971896S

(12) **United States Design Patent** (10) **Patent No.:** **US D971,896 S**  
**Joo et al.** (45) **Date of Patent:** **\*\* Dec. 6, 2022**

(54) **BASKET FOR A WALL WITH BUILT-IN HOME APPLIANCES**

(71) Applicant: **LG ELECTRONICS INC.**, Seoul (KR)

(72) Inventors: **Junghyun Joo**, Seoul (KR); **Junghan Ryu**, Seoul (KR); **Yunjoo Kim**, Seoul (KR); **Taeho Kim**, Seoul (KR); **Kisang Jung**, Seoul (KR); **Hwasuk Shim**, Seoul (KR); **Youngkyoung Kim**, Seoul (KR); **Jipyo Hong**, Seoul (KR); **Chulmin Lim**, Seoul (KR); **Bumsang Lee**, Seoul (KR); **Mijin Jung**, Seoul (KR); **Jaemyo Shim**, Seoul (KR); **Junki Kim**, Seoul (KR)

(73) Assignee: **LG ELECTRONICS INC.**, Seoul (KR)

(\*\*) Term: **15 Years**

(21) Appl. No.: **29/732,550**

(22) Filed: **Apr. 24, 2020**

(30) **Foreign Application Priority Data**

Oct. 28, 2019 (KR) ..... 30-2019-0051138

(51) **LOC (13) Cl.** ..... **14-01**

(52) **U.S. Cl.**

USPC ..... **D14/229**

(58) **Field of Classification Search**

USPC ..... D8/349, 354, 355, 374, 381, 400, 499;  
D13/162, 164, 171, 177, 199;  
D14/125-129, 133, 140, 217, 224, 224.1,  
D14/229, 238, 238.1, 239, 299, 317, 331,  
D14/336, 337, 341, 371-376, 389, 432,  
D14/433, 434, 496, 511; D15/138;

(Continued)

(56) **References Cited**

U.S. PATENT DOCUMENTS

D255,234 S \* 6/1980 Wellward ..... 181/150  
D303,391 S \* 9/1989 Stallings, Jr. .... D14/209

(Continued)

*Primary Examiner* — Michael C Stout

*Assistant Examiner* — Fitzgerald L Butac

(74) *Attorney, Agent, or Firm* — Birch, Stewart, Kolasch & Birch, LLP

(57) **CLAIM**

The ornamental design for a basket for a wall with built-in home appliances, as shown and described.

**DESCRIPTION**

FIG. 1 is a front perspective view of the basket for a wall with built-in home appliances showing our new design;

FIG. 2 is a front view thereof;

FIG. 3 is a rear view thereof;

FIG. 4 is a left side view thereof where the right side view is a mirror image;

FIG. 5 is a top plan view thereof where the bottom view is a mirror image;

FIG. 6 is another front perspective view, with the internal element in an alternate position thereof;

FIG. 7 is a front view of FIG. 6;

FIG. 8 is a rear view of FIG. 6;

FIG. 9 is a left side view of FIG. 6 where the right view is a mirror image;

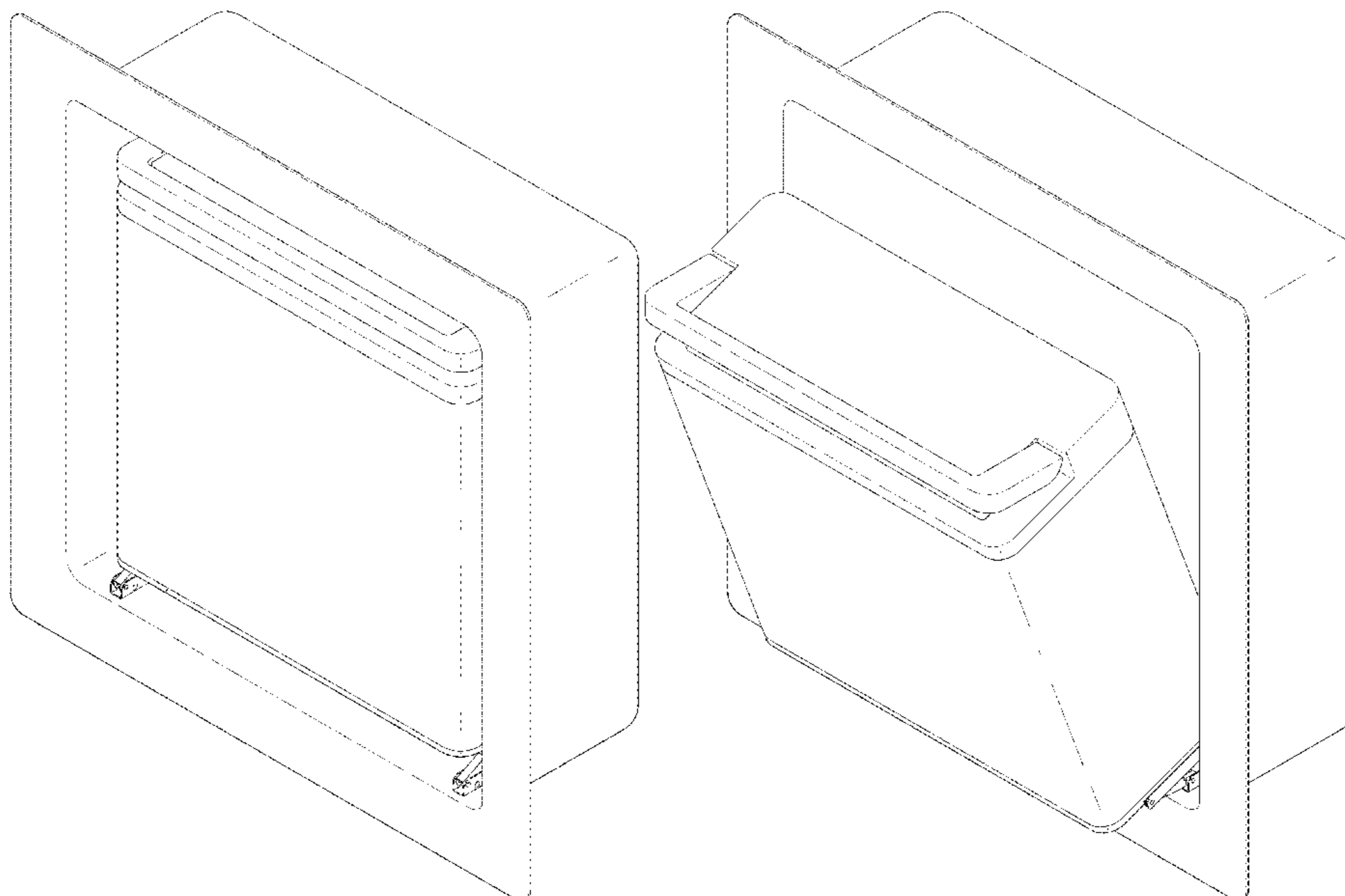
FIG. 10 is a top view of FIG. 6;

FIG. 11 is a bottom view of FIG. 6; and,

FIG. 12 shows the claimed design in a state of use, wherein the internal element is removed when in the alternate position.

The broken lines in FIG. 12 depict portions of the basket for a wall with built-in home appliances that form no part of the claimed design.

**1 Claim, 12 Drawing Sheets**



(58) **Field of Classification Search**

USPC ..... D23/217, 351–355, 357, 361, 385;  
D25/61, 118, 126, 131, 141, 156, 161,  
D25/162, 199

CPC ..... H05B 2203/026; H05B 1/0236; H05B  
1/0275; H05B 45/10; H05B 45/20

See application file for complete search history.

(56) **References Cited**

U.S. PATENT DOCUMENTS

D669,075 S \* 10/2012 Seo ..... D14/371  
D865,723 S \* 11/2019 Cho ..... H04R 31/00  
D14/225  
D900,070 S \* 10/2020 Lantz ..... D14/229  
D900,071 S \* 10/2020 Lantz ..... D14/229  
D900,072 S \* 10/2020 Lantz ..... D14/229  
10,874,028 B2 \* 12/2020 Joo ..... H04N 5/645  
2020/0344910 A1 \* 10/2020 Joo ..... E04C 2/46

\* cited by examiner

FIG. 1

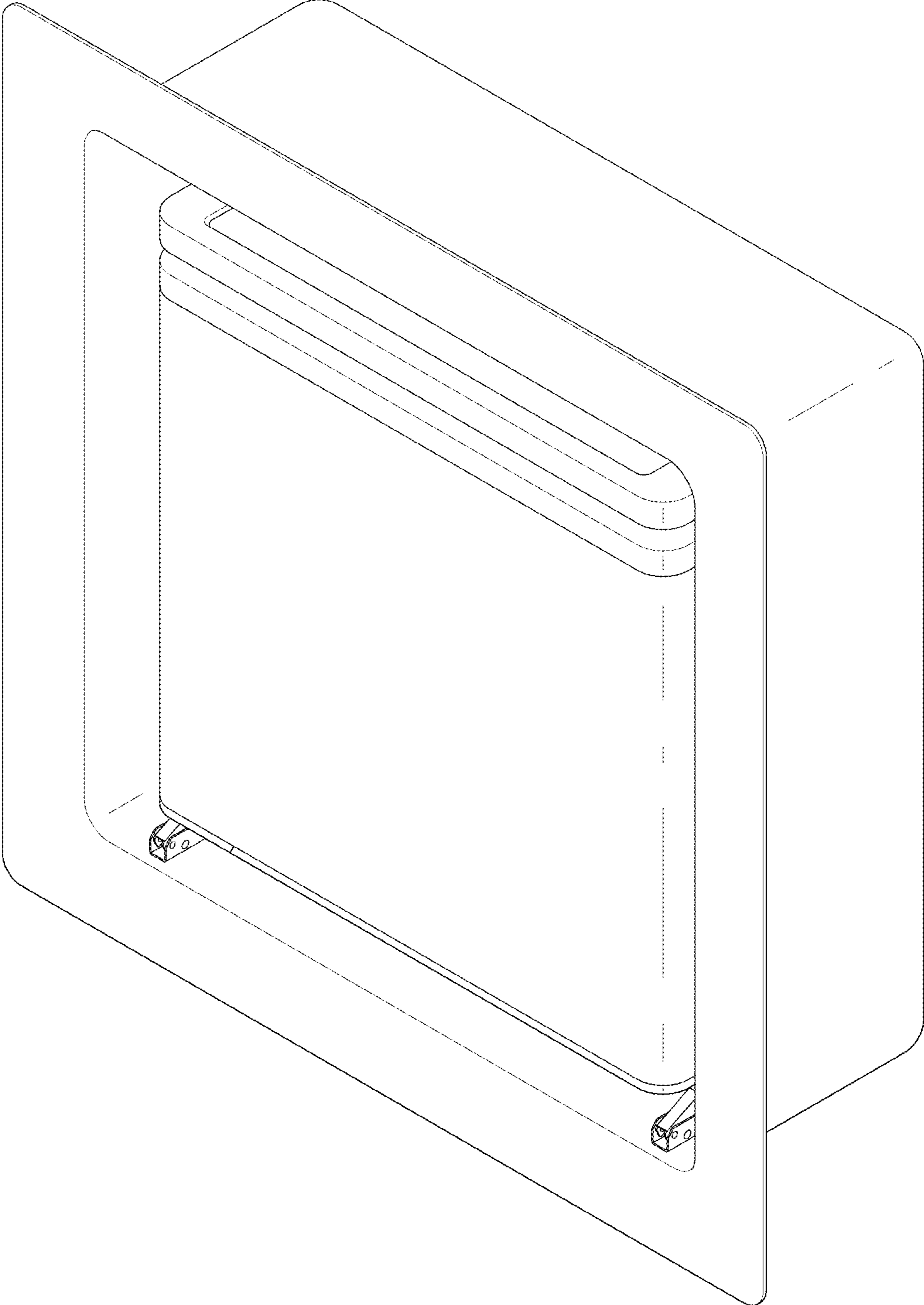


FIG. 2

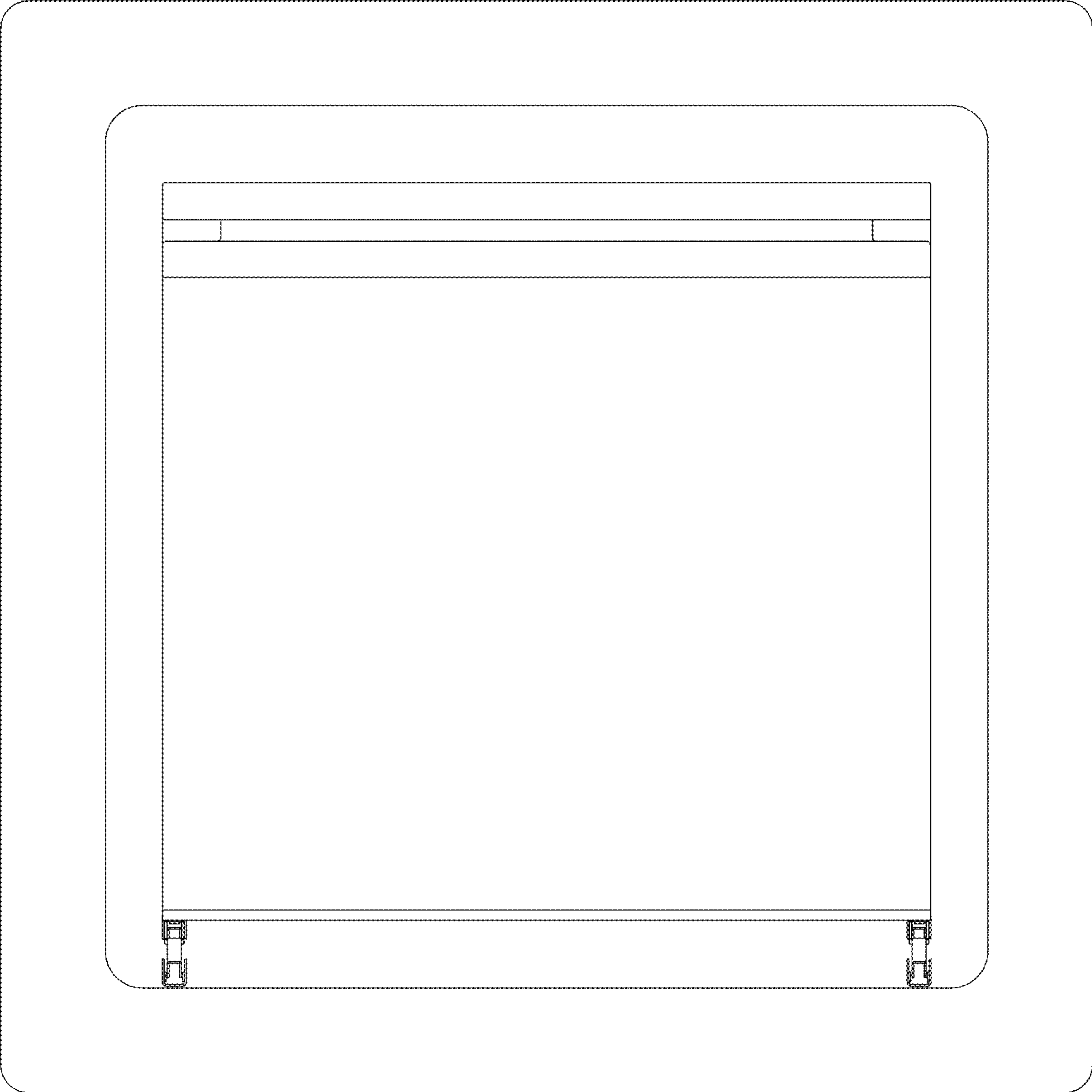


FIG. 3

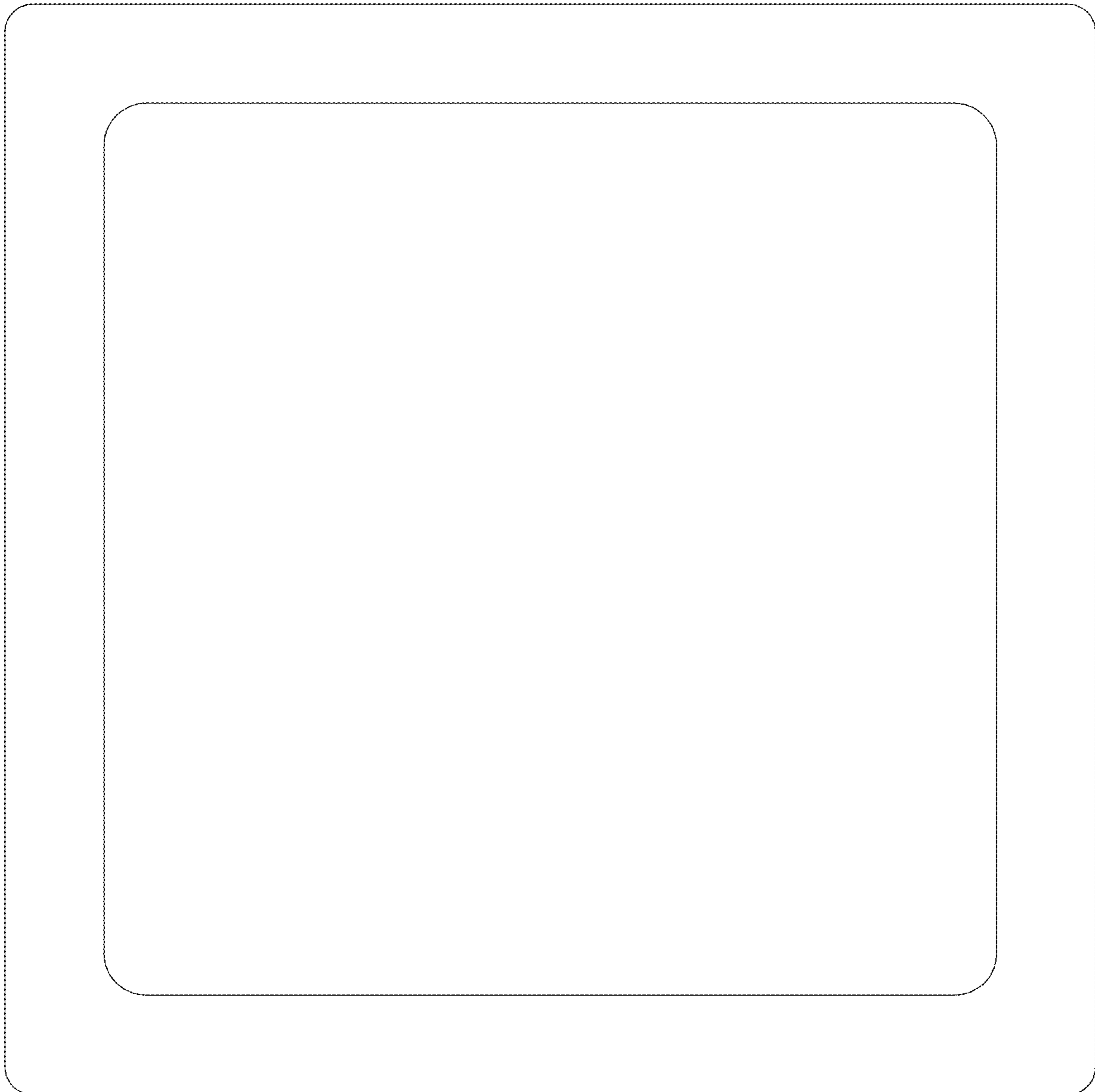


FIG. 4

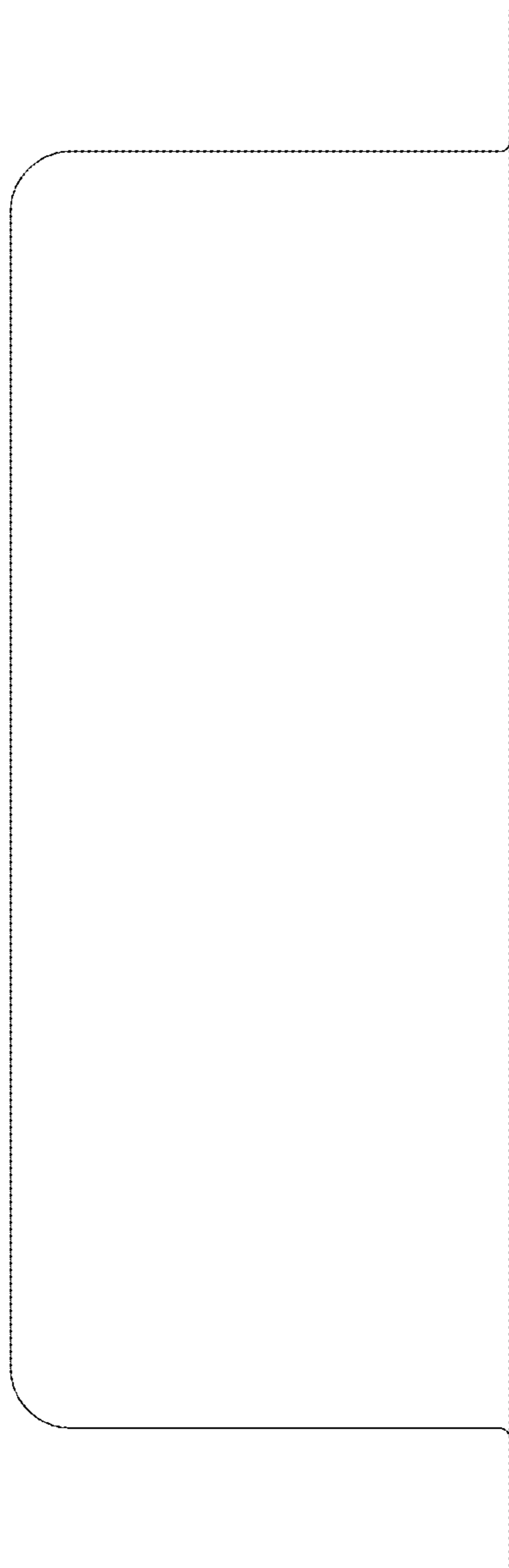


FIG. 5



FIG. 6

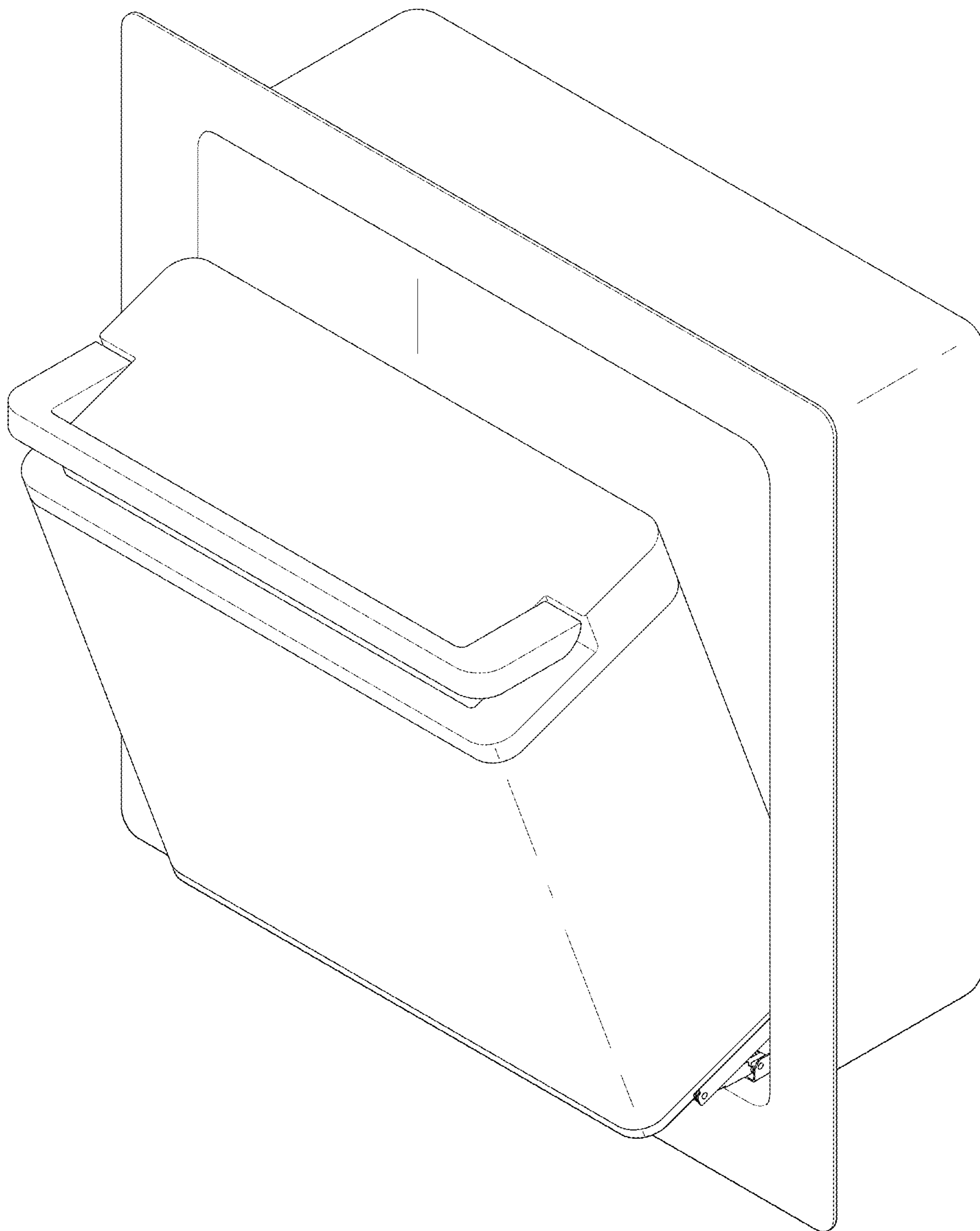




FIG. 7

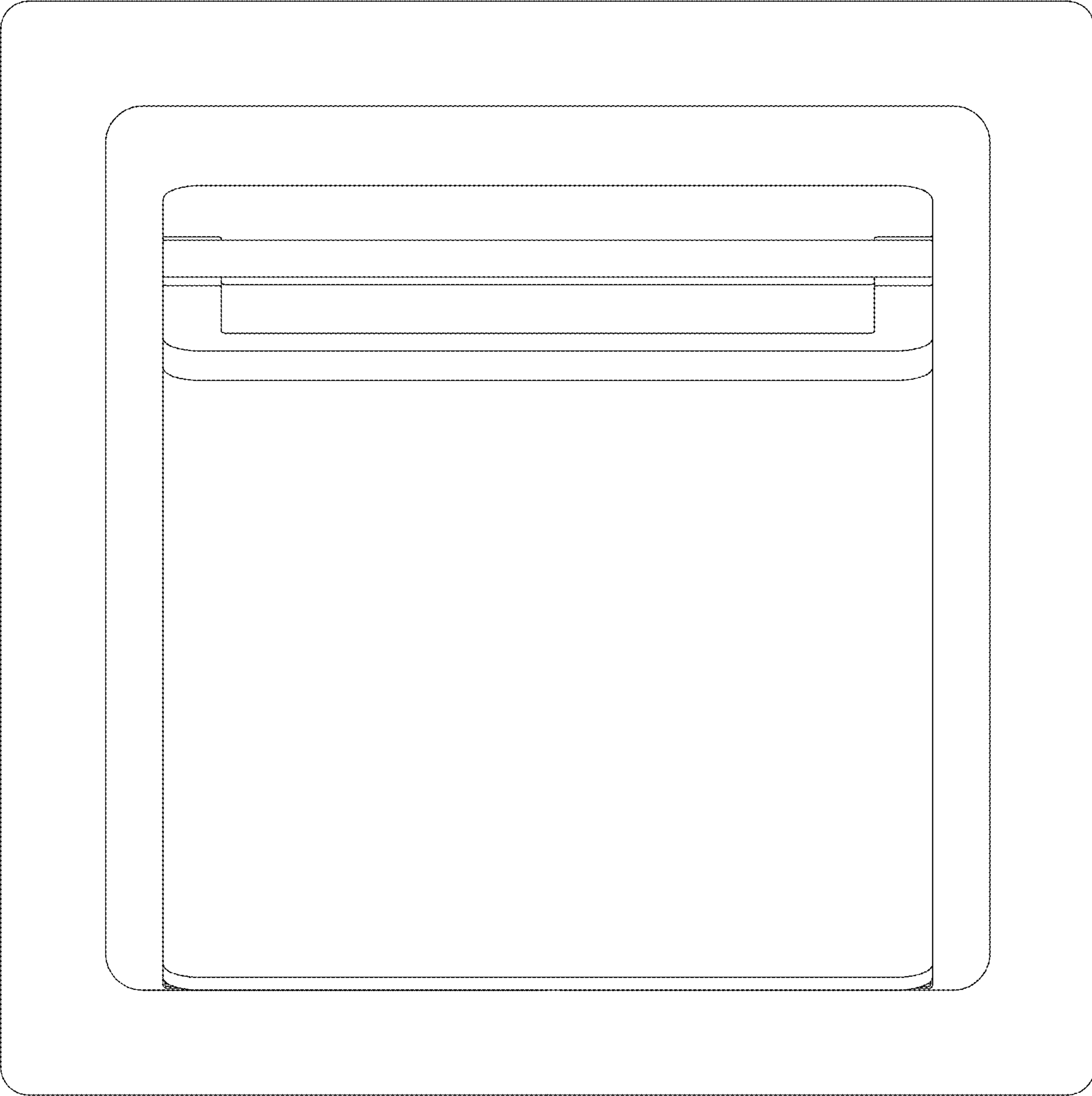


FIG. 8

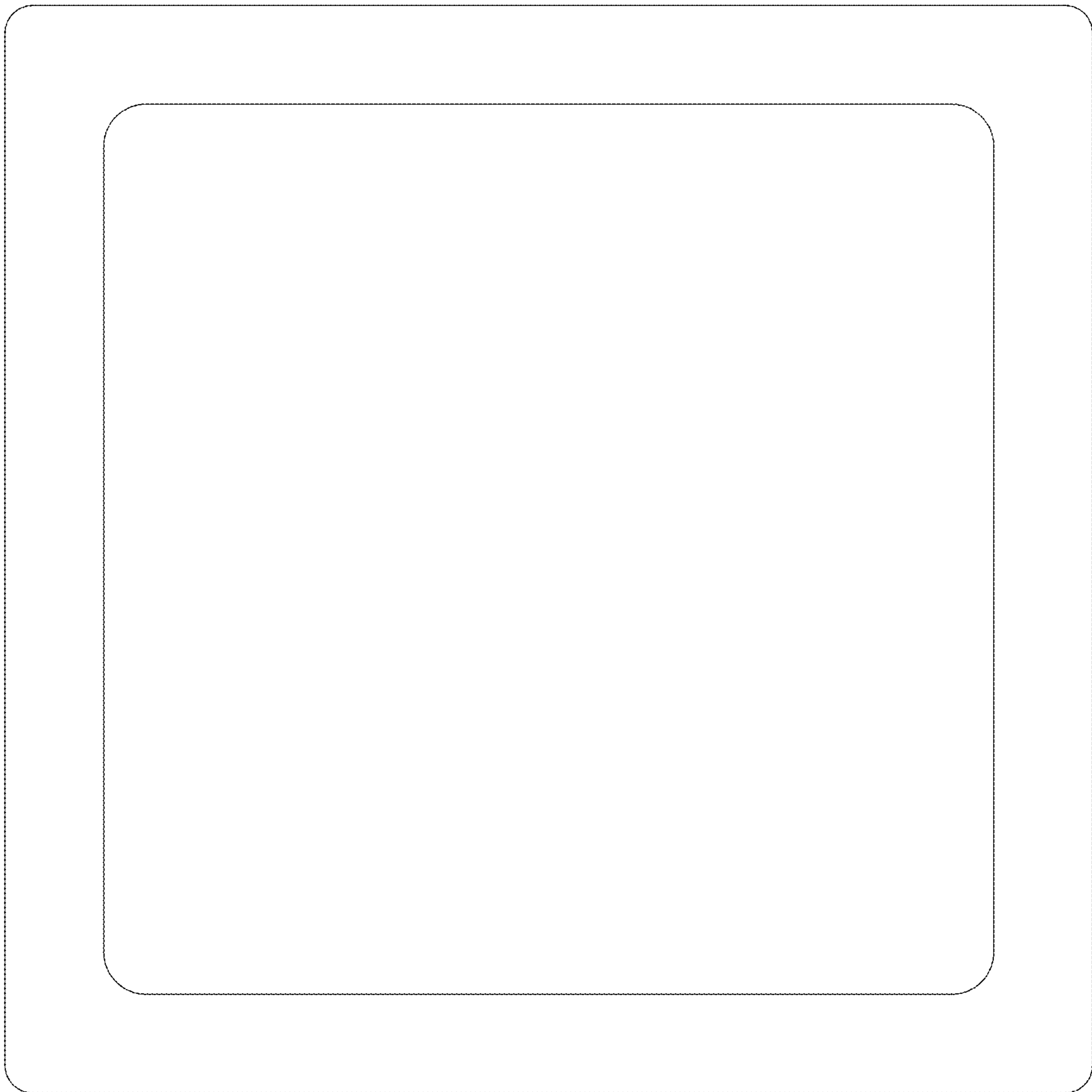


FIG. 9

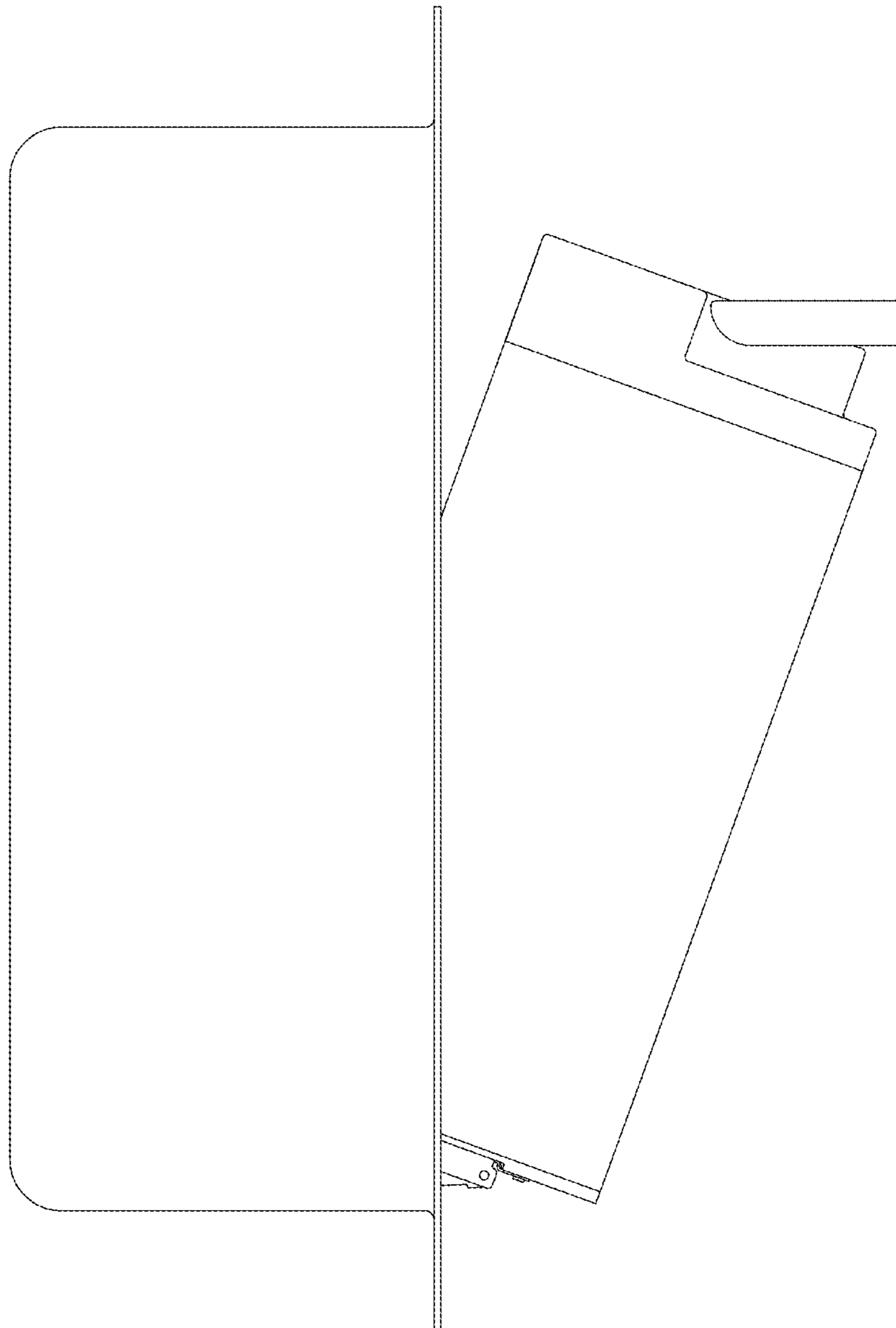


FIG. 10

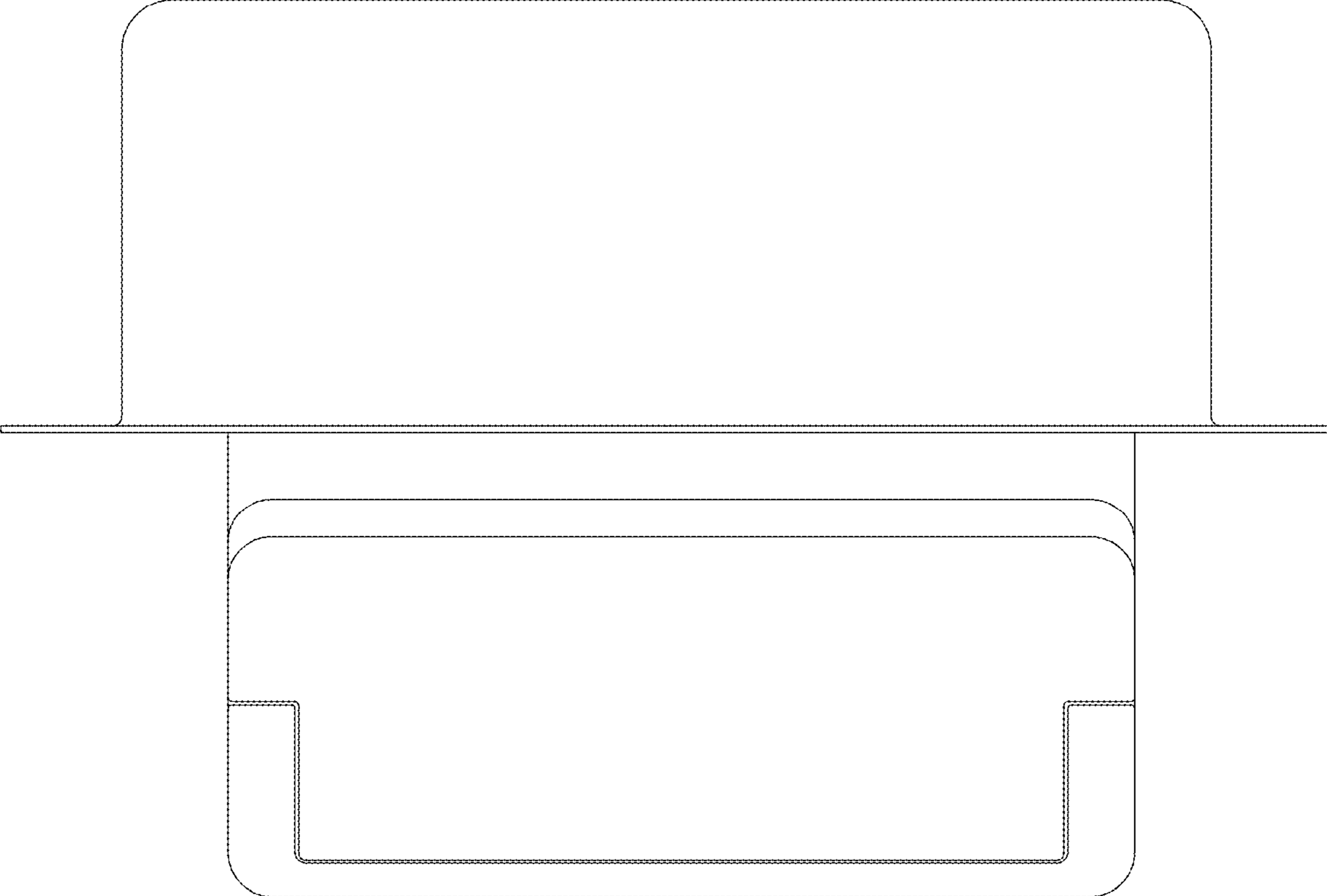


FIG. 11

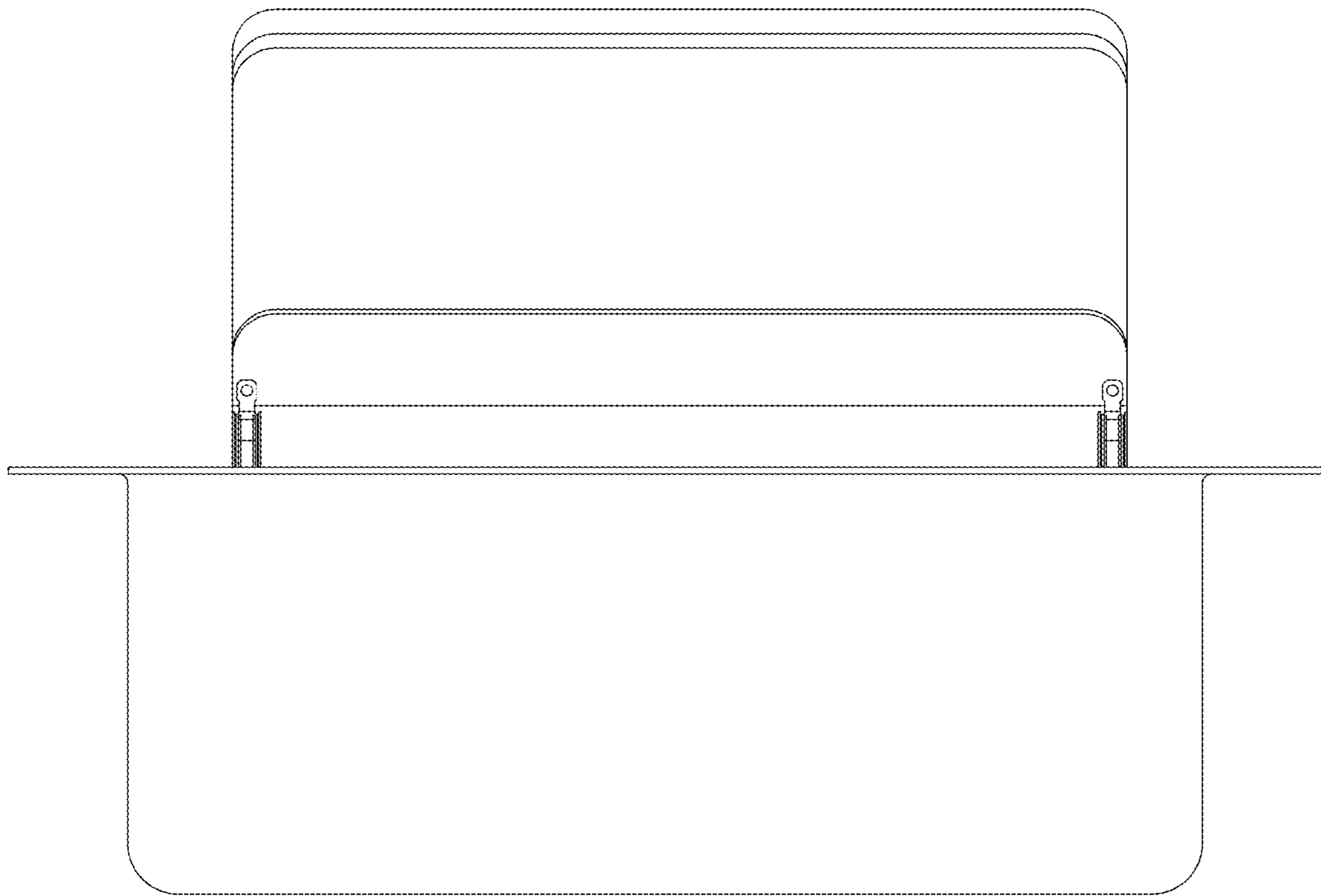


FIG. 12

