



US00D971894S

(12) **United States Design Patent**  
**Chen**

(10) **Patent No.:** **US D971,894 S**  
(45) **Date of Patent:** **\*\* Dec. 6, 2022**

(54) **MICROPHONE**

FOREIGN PATENT DOCUMENTS

(71) Applicants: **Guangzhou Rantion Technology Co., Ltd.**, Guangzhou (CN); **Donner Technology LLC**, Charlotte, NC (US)

CN 305291290 \* 8/2019  
CN 306900305 \* 10/2021

(Continued)

(72) Inventor: **Shuyu Chen**, Guangzhou (CN)

OTHER PUBLICATIONS

(73) Assignees: **GUANGZHOU RANTION TECHNOLOGY CO., LTD.**, Guangzhou (CN); **DONNER TECHNOLOGY LLC**, Charlotte, NC (US)

Donner Gaming RGB USB Condenser Microphone, date first available: Nov. 12, 2021, [retrieved Jul. 27, 2022], Retrieved from Internet, URL: <<https://www.amazon.com/Donner-Condenser-Microphone-Recording-Streaming/dp/B09LQBMN26?th=1>> (Year: 2021).\*

(Continued)

(\*\*) Term: **15 Years**

(21) Appl. No.: **29/798,060**

*Primary Examiner* — Messina L Smith

*Assistant Examiner* — Aram Kwon

(22) Filed: **Jul. 6, 2021**

(74) *Attorney, Agent, or Firm* — Eagle IP Limited

(51) **LOC (13) Cl.** ..... **14-01**

(52) **U.S. Cl.**  
USPC ..... **D14/225**

(58) **Field of Classification Search**  
USPC ..... D14/155–159, 160–173, 187–188,  
D14/189–198, 203.1–203.8, 204–216,  
D14/217–222, 223, 224–229, 257–258,  
D14/496, 498–506; D6/672–673, 675.1,  
D6/682

CPC ..... H04R 1/02; H04R 1/021; H04R 1/025;  
H04R 1/026; H04R 1/028; H04R 1/06;  
H04R 1/105; H04R 1/323; H04R 1/403;  
H04R 1/2803; H04R 1/2834

See application file for complete search history.

(57) **CLAIM**

The ornamental design for a microphone, as shown and described.

**DESCRIPTION**

FIG. 1 is a perspective view of a microphone;  
FIG. 2 is a front view of the microphone of FIG. 1 thereof;  
FIG. 3 is a rear view of the microphone of FIG. 1 thereof;  
FIG. 4 is a left side view of the microphone of FIG. 1 thereof;  
FIG. 5 is a right side view of the microphone of FIG. 1 thereof;  
FIG. 6 is a top view of the microphone of FIG. 1 thereof;  
and,  
FIG. 7 is a bottom view of the microphone of FIG. 1 thereof.  
The broken lines in the drawings depict portions of the microphone that form no part of the claimed design.

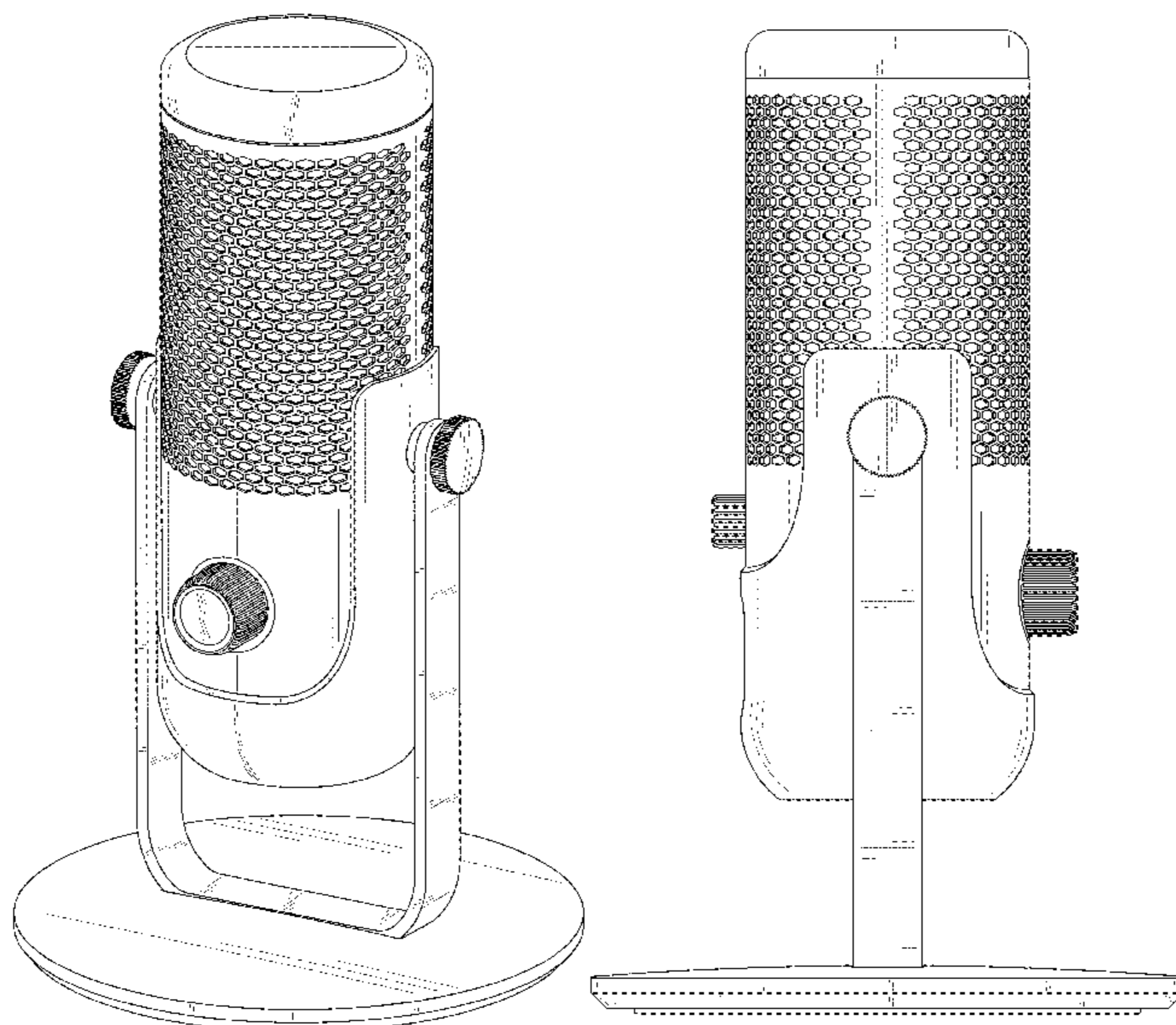
(56) **References Cited**

U.S. PATENT DOCUMENTS

5,357,577 A \* 10/1994 Waji ..... H01J 7/24  
381/115  
D594,856 S \* 6/2009 Marshall ..... D14/228  
D835,612 S \* 12/2018 Tong ..... D14/225  
D842,278 S \* 3/2019 Tong ..... D14/227

(Continued)

**1 Claim, 7 Drawing Sheets**



(56)

References Cited

OTHER PUBLICATIONS

U.S. PATENT DOCUMENTS

D851,073	S	*	6/2019	Tong	.....	D14/227
D890,141	S	*	7/2020	Chen	.....	D14/228
D890,732	S	*	7/2020	Chen	.....	D14/227
D917,430	S	*	4/2021	Mai	.....	D14/228
D917,432	S	*	4/2021	Mai	.....	D14/227
D917,433	S	*	4/2021	Wang	.....	D14/228
D918,184	S	*	5/2021	Xiang	.....	D14/228
D918,186	S	*	5/2021	Mai	.....	D14/227
D925,505	S	*	7/2021	Wang	.....	D14/228
D925,506	S	*	7/2021	Wang	.....	D14/228
D942,973	S	*	2/2022	Lu	.....	D14/227
D946,556	S	*	3/2022	Mai	.....	D14/228

FOREIGN PATENT DOCUMENTS

CN	306900307	*	10/2021
CN	307159332	*	3/2022
CN	307429829	*	7/2022
CN	307429830	*	7/2022

Thronmax MDrill One USB Condenser Computer Microphone, date first available: Oct. 23, 2018, [retrieved Jul. 27, 2022], Retrieved from Internet, URL: <[https://www.amazon.com/dp/B07JMYFYVM/ref=sspa\\_dk\\_detail\\_4?psc=1&pf\\_rd\\_p=3481f441-61ac-4028-9c1a-7f9ce8ec50c5&pf\\_rd\\_r=4DCV2FJ61K%E2%80%A6](https://www.amazon.com/dp/B07JMYFYVM/ref=sspa_dk_detail_4?psc=1&pf_rd_p=3481f441-61ac-4028-9c1a-7f9ce8ec50c5&pf_rd_r=4DCV2FJ61K%E2%80%A6)> (Year: 2018).\*

Behringer Bigfoot USB Studio Condenser Microphone, review date: Feb. 4, 2021, [retrieved Jul. 27, 2022], Retrieved from Internet, URL: <<https://www.sweetwater.com/store/detail/BigfootMic-behringer-bigfoot-usb-studio-condenser-microphone>> (Year: 2021).\*

Donner Gaming RGB USB Condenser Microphone, date not available, [retrieved Jul. 27, 2022], Retrieved from Internet, URL: <<https://www.donnerdeal.com/products/usb-mic-for-gaming>> (Year: 2022).\*

\* cited by examiner

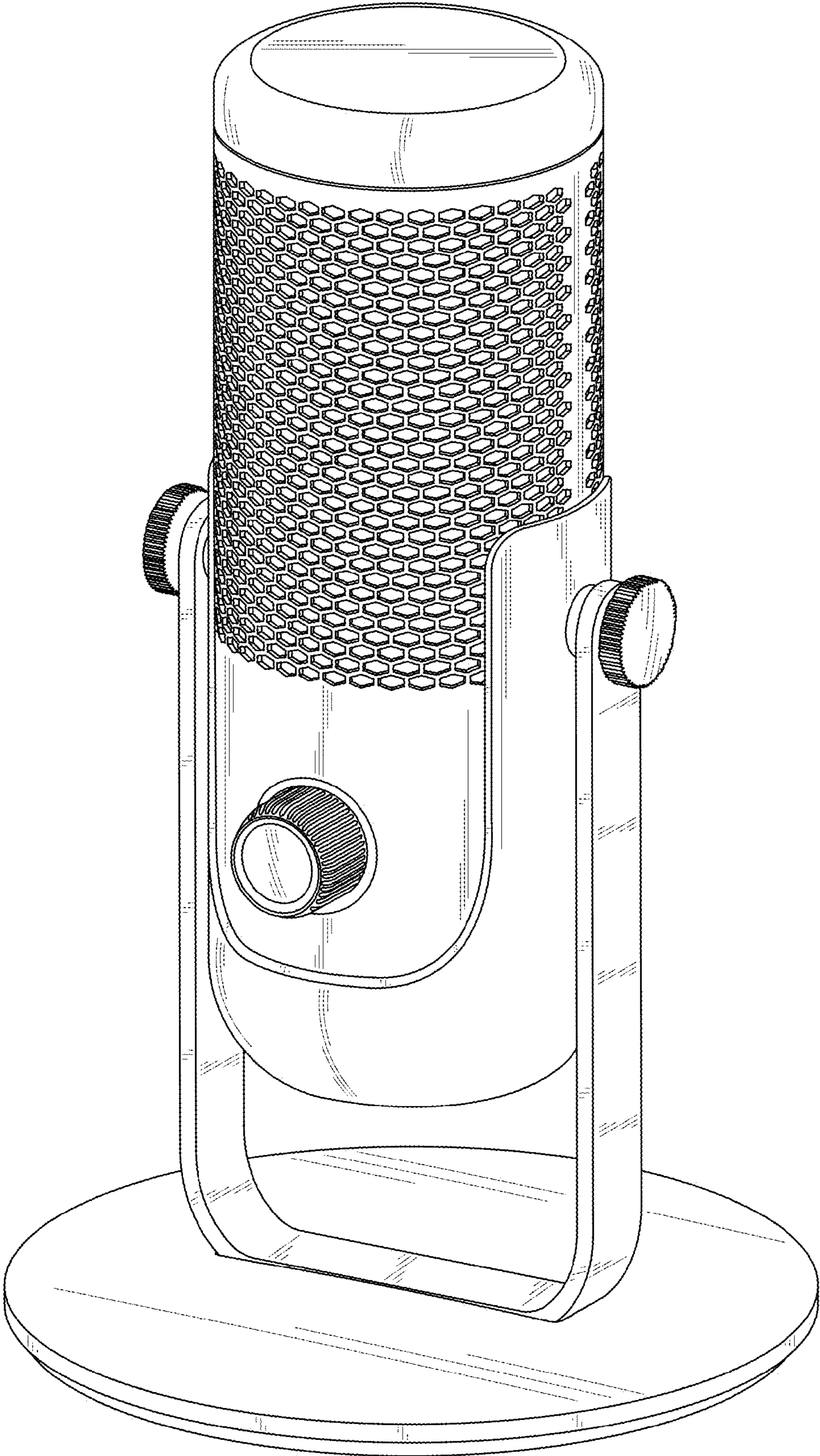


FIG. 1

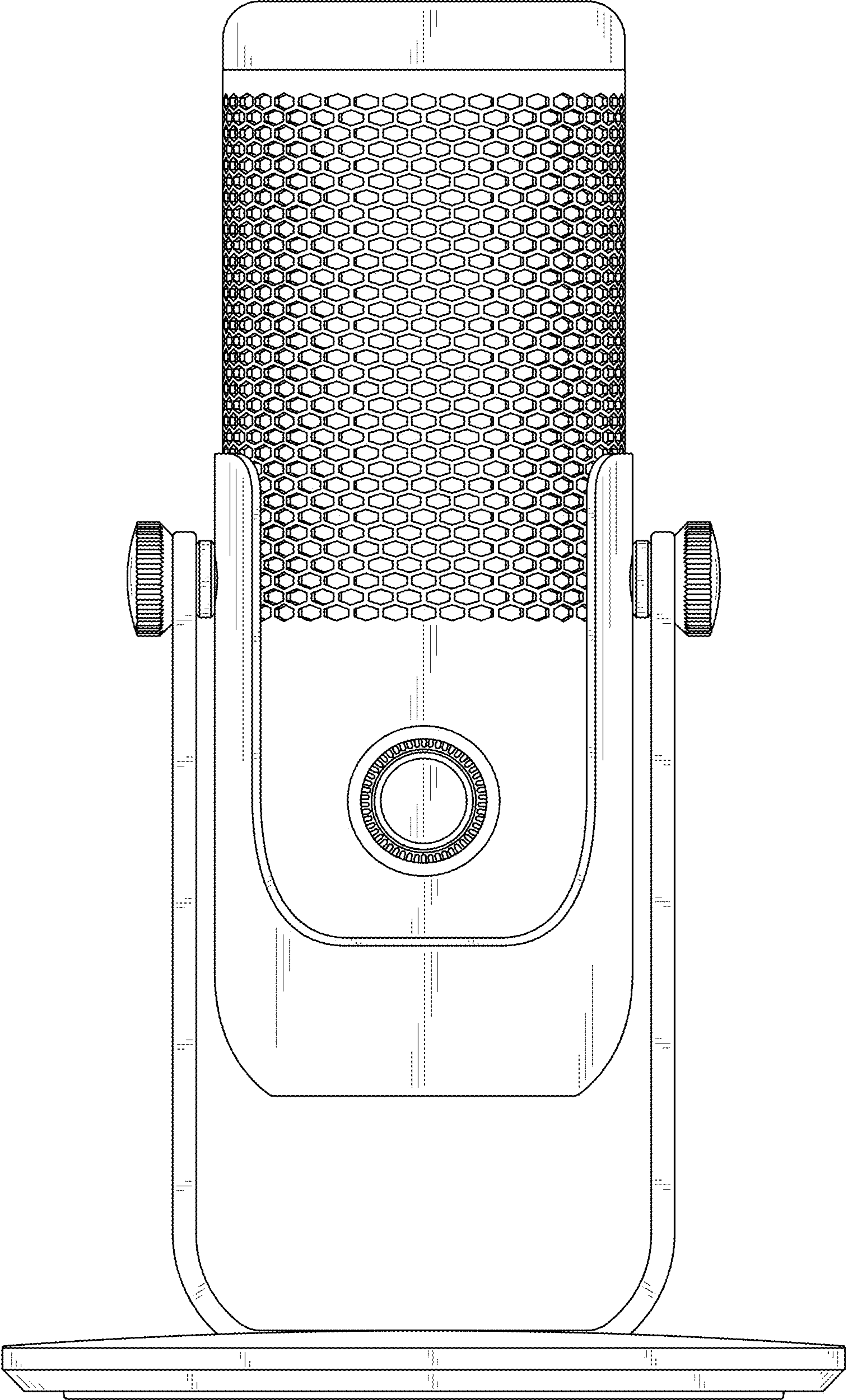


FIG. 2

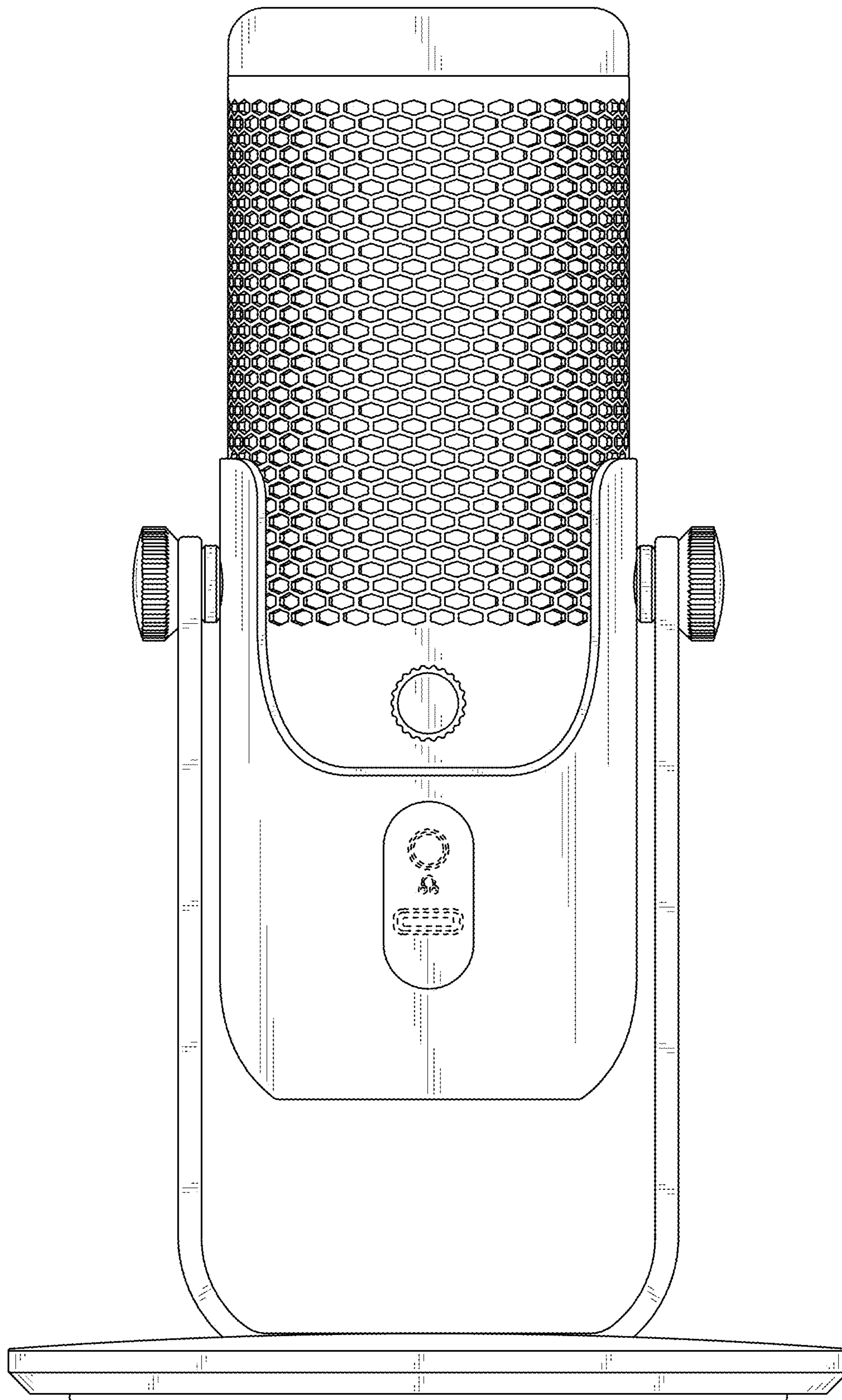


FIG. 3

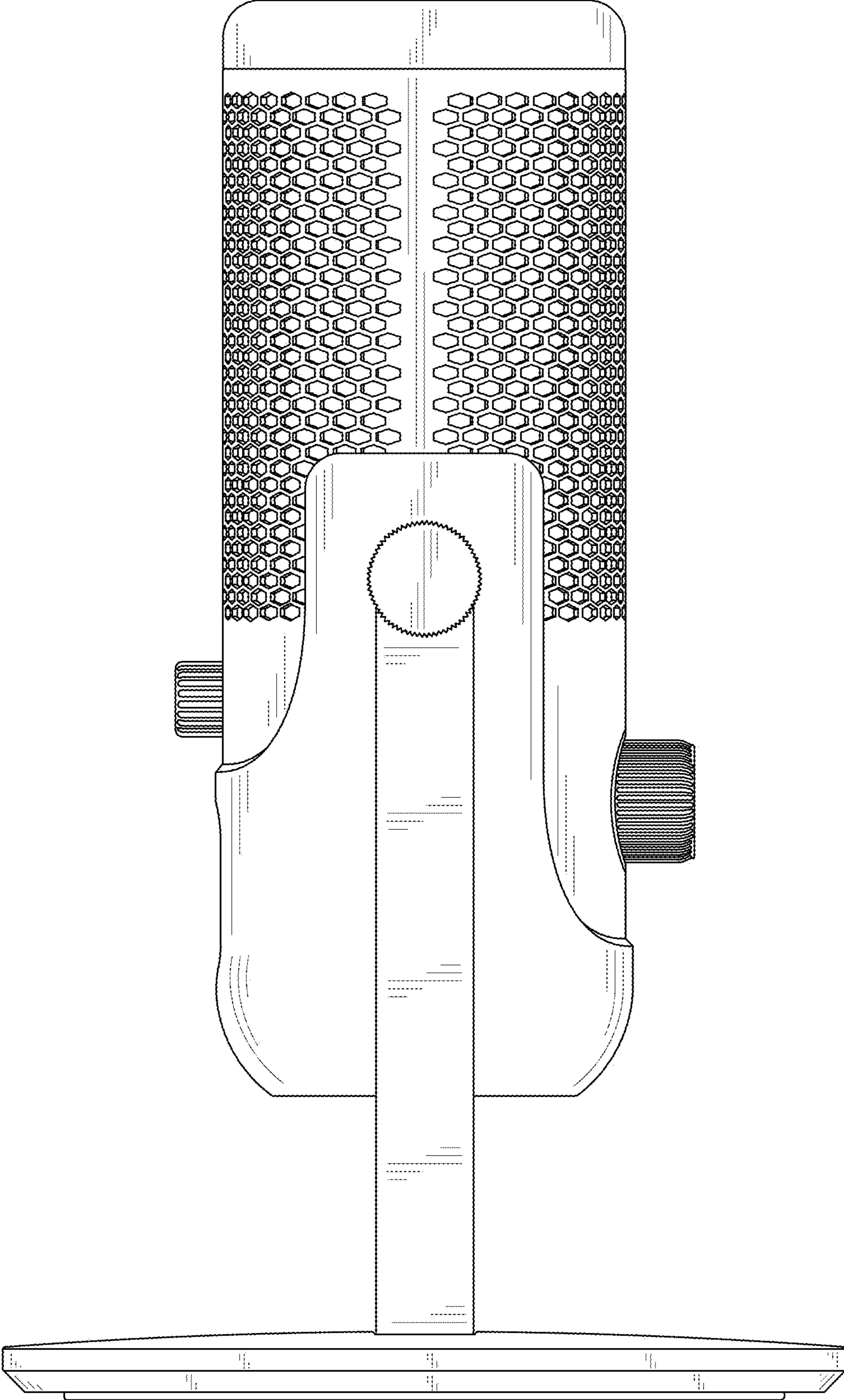


FIG. 4

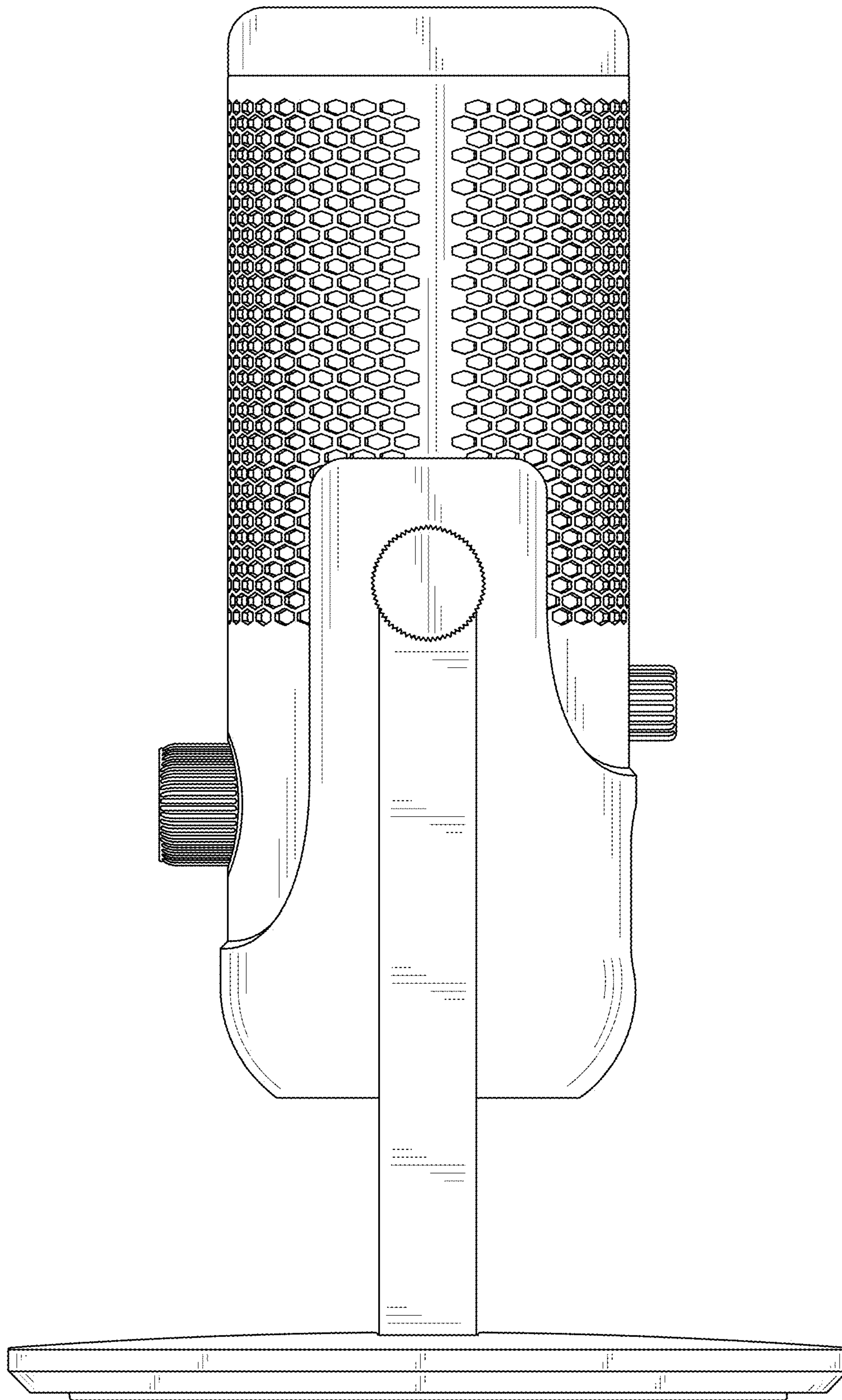


FIG. 5

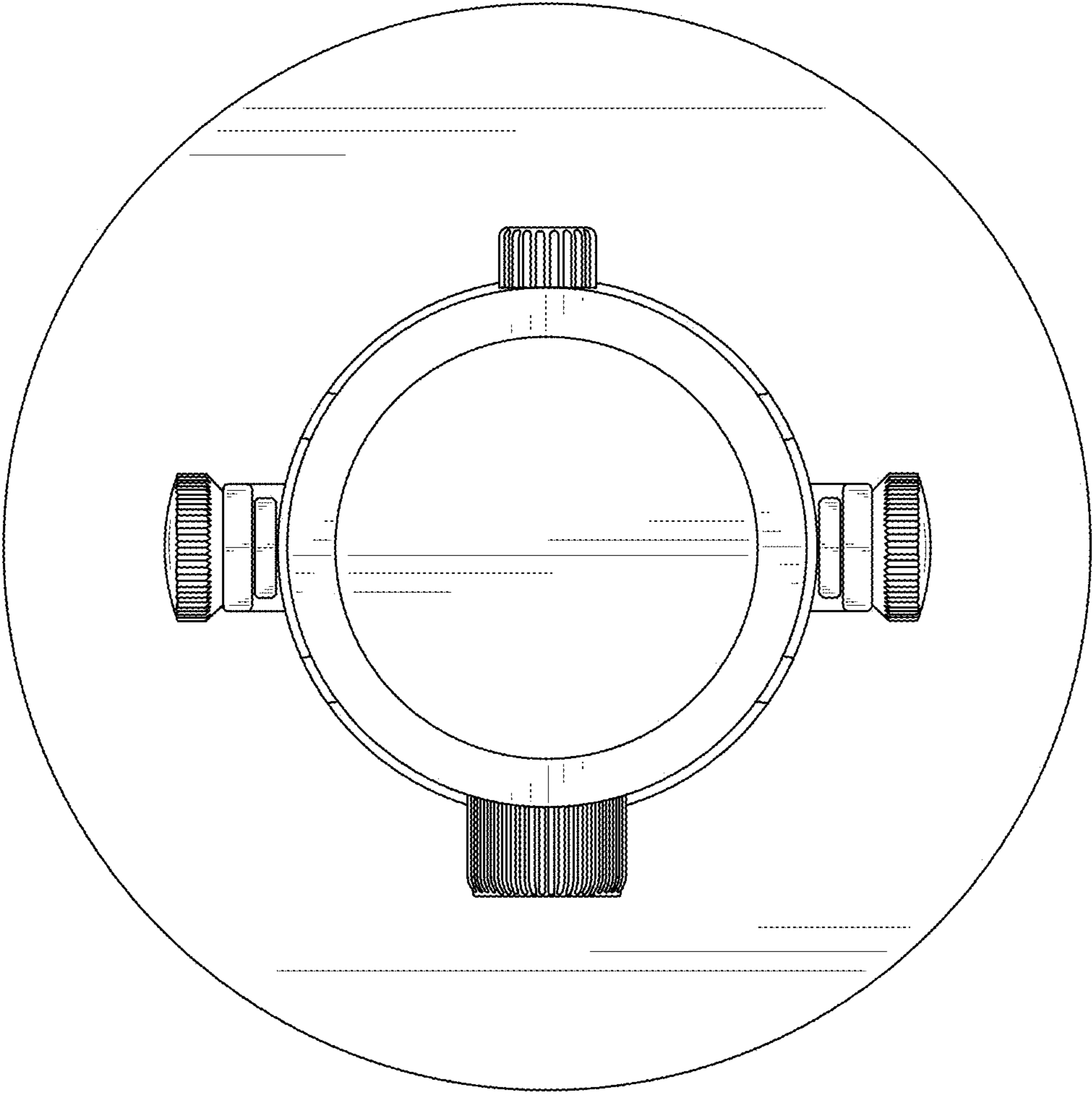


FIG. 6



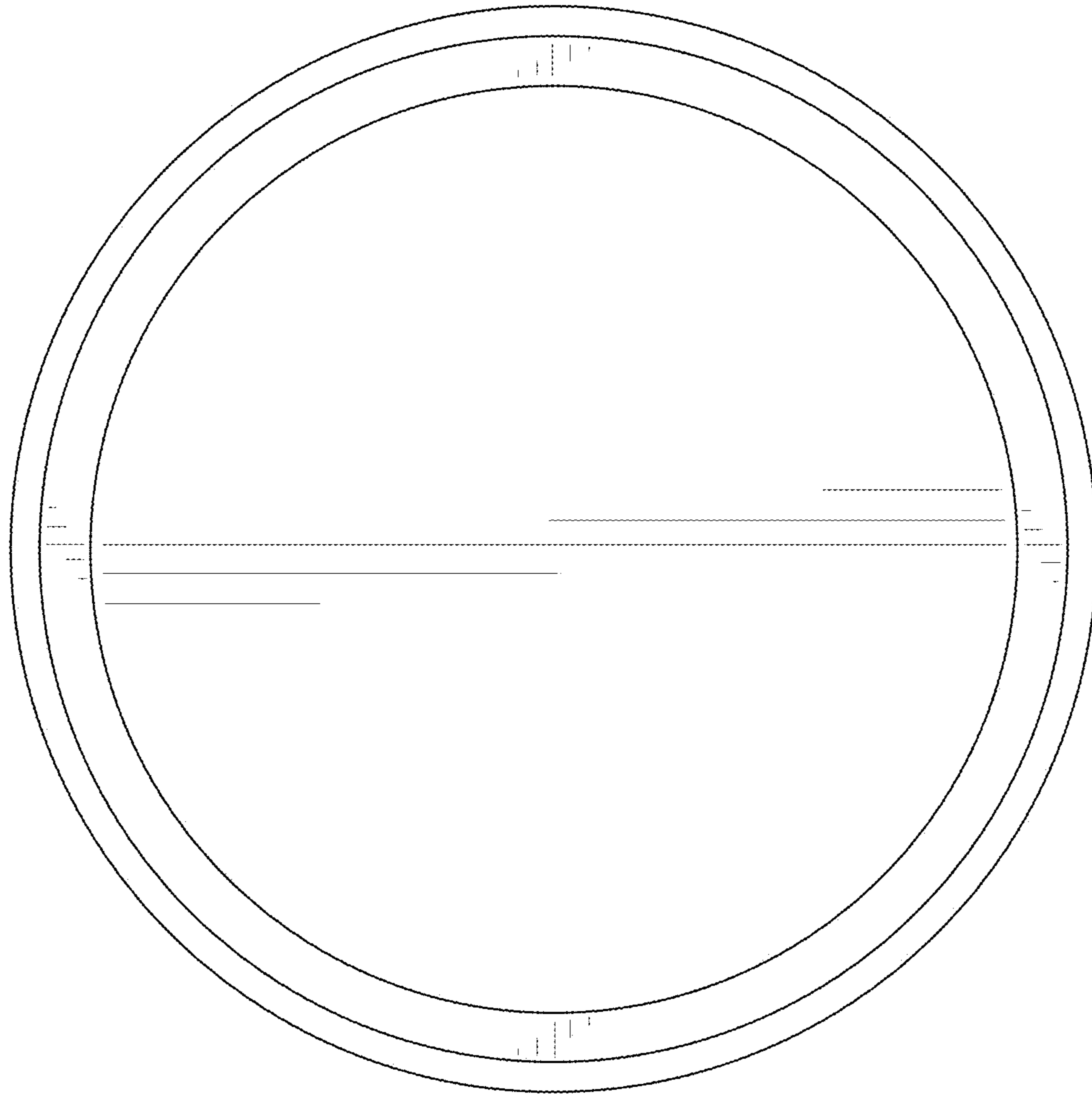


FIG. 7