



US00D971893S

(12) **United States Design Patent**
Hong

(10) **Patent No.:** **US D971,893 S**
(45) **Date of Patent:** **** Dec. 6, 2022**

(54) **WIRELESS MICROPHONE**

(71) Applicant: **Shenzhen Sanhua Shidai Technology Co., Ltd.**, Shenzhen (CN)
(72) Inventor: **Hui Hong**, Shenzhen (CN)
(**) Term: **15 Years**

(21) Appl. No.: **29/738,163**

(22) Filed: **Jun. 15, 2020**

(51) **LOC (13) Cl.** **14-01**

(52) **U.S. Cl.**
USPC **D14/225**

(58) **Field of Classification Search**

USPC D14/221, 224, 225, 226, 227, 228, 229,
D14/248, 265, 137, 150, 154, 155, 157,
D14/158, 159, 172, 185
CPC H04R 19/04; H04R 19/00; H04R 1/406;
H04R 1/08; H04R 1/04; H04R 1/326;
H04R 29/004; H04R 2410/00; H04R
2410/01; H04R 2410/03; H04R 2410/05;
H04R 2410/07; H04R 2420/07; H04R
17/02

See application file for complete search history.

(56) **References Cited**

U.S. PATENT DOCUMENTS

D813,208	S	*	3/2018	Nie	D14/226
D836,615	S	*	12/2018	Su	D14/226
D868,042	S	*	11/2019	Yang	D14/226
D880,459	S	*	4/2020	Su	D14/226
D883,961	S	*	5/2020	Dai	D14/226
D890,715	S	*	7/2020	Li	D14/155
D933,638	S	*	10/2021	Lu	D14/228
11,265,636	B1	*	3/2022	Kim	H04R 3/00
2016/0005341	A1	*	1/2016	Levinsohn	H04R 1/08 381/91
2019/0069060	A1	*	2/2019	Su	H04M 1/271
2021/0219039	A1	*	7/2021	Robateau	G10H 1/365
2021/0364160	A1	*	11/2021	Xia	F21V 17/10

FOREIGN PATENT DOCUMENTS

CN	305835896	*	6/2020
CN	306810362	*	9/2021
CN	306817588	*	9/2021
CN	306950039	*	11/2021
CN	307094564	*	2/2022
CN	307118770	*	2/2022

(Continued)

OTHER PUBLICATIONS

Bonaok Wireless Bluetooth Karaoke Microphone, announced Aug. 16, 2019 [online], retrieved Mar. 24, 2022, retrieved from internet, <https://www.amazon.com/dp/B07WG1KZBW>.*

(Continued)

Primary Examiner — Messina L Smith

(74) *Attorney, Agent, or Firm* — Novoclaims Patent Services LLC; Mei Lin Wong

(57) **CLAIM**

The ornamental design for a wireless microphone, as shown and described.

DESCRIPTION

FIG. 1 is a front perspective view of a wireless microphone, showing my new design.

FIG. 2 is a front bottom perspective view thereof;

FIG. 3 is a rear bottom perspective view thereof;

FIG. 4 is a front view thereof;

FIG. 5 is a rear view thereof;

FIG. 6 is a left side view thereof;

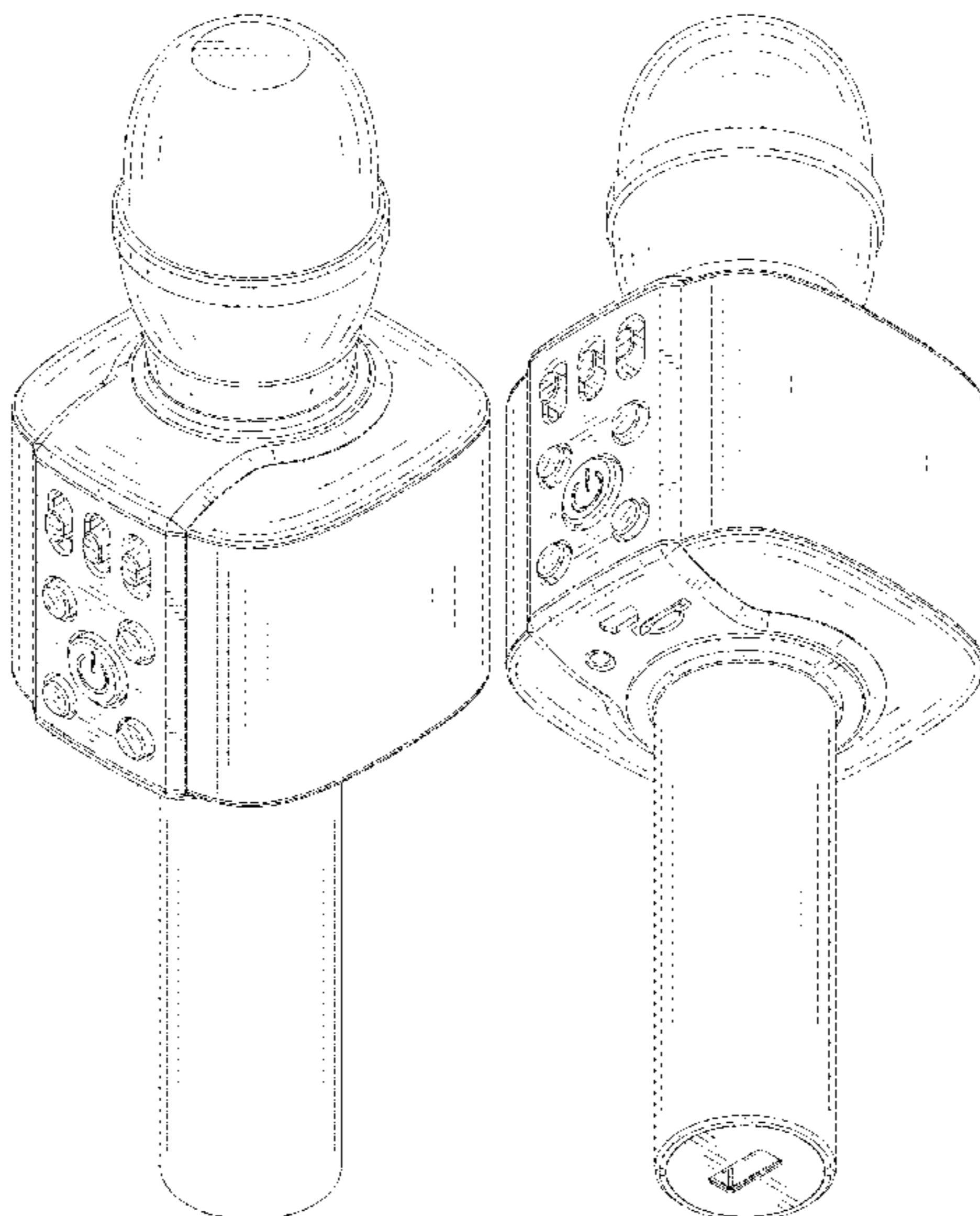
FIG. 7 is a right side view thereof;

FIG. 8 is a top view thereof; and,

FIG. 9 is a bottom view thereof.

The broken lines in the drawings depict portions of the wireless microphone that form no part of the claimed design.

1 Claim, 9 Drawing Sheets



(56)

References Cited

FOREIGN PATENT DOCUMENTS

CN	307143179	*	3/2022
GB	6040444	*	8/2018

OTHER PUBLICATIONS

Bluetooth Karaoke Microphone Dual Speaker, announced Oct. 22, 2019 [online], retrieved Mar. 24, 2022, retrieved from internet, <https://www.amazon.com/Bluetooth-Microphone-Professional-Wireless-Plafnio/dp/B07ZFC234D>.*

M90—Bluetooth Karaoke Microphone, announced Nov. 21, 2021 [online], retrieved Mar. 24, 2022, retrieved from internet, <https://www.amazon.com/dp/B09L7LWKBX>.*

The 12 Best Karaoke Microphones So You Can Bring the Party Whenever, Wherever, announced Nov. 22, 2021 [online], retrieved Mar. 24, 2022, retrieved from internet, <https://www.cosmopolitan.com/lifestyle/g33865019/best-karaoke-microphones/>.*

Think You Can Sing?, announced Dec. 18, 2021 [online], retrieved Mar. 24, 2022, retrieved from internet, <https://www.rollingstone.com/product-recommendations/lifestyle/best-karaoke-mics-1095638/>.*

MagicSing MP-30 Bluetooth Karaoke Microphone, announced Apr. 16, 2018 [online], retrieved Mar. 24, 2022, retrieved from internet, https://www.acekaraoke.com/hetcmmmp30.html#.YjjOV_nMJaq.*

* cited by examiner

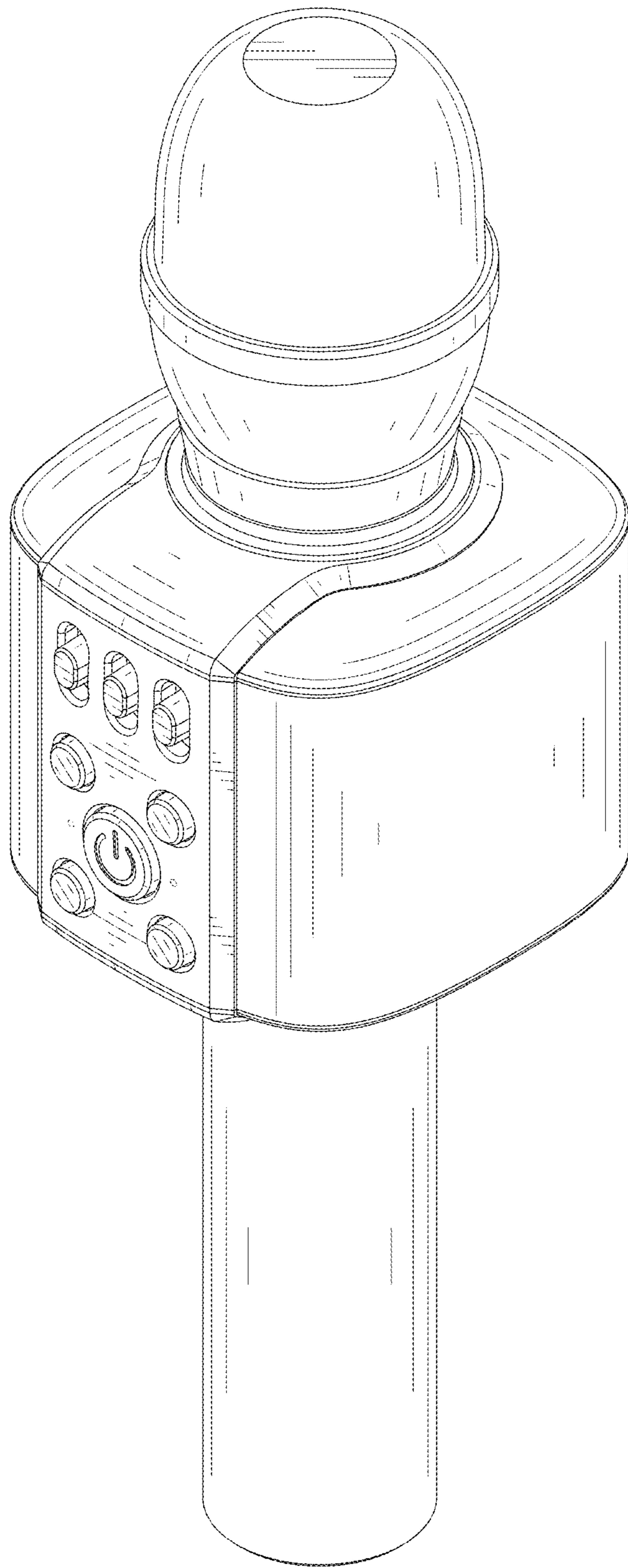


FIG.1

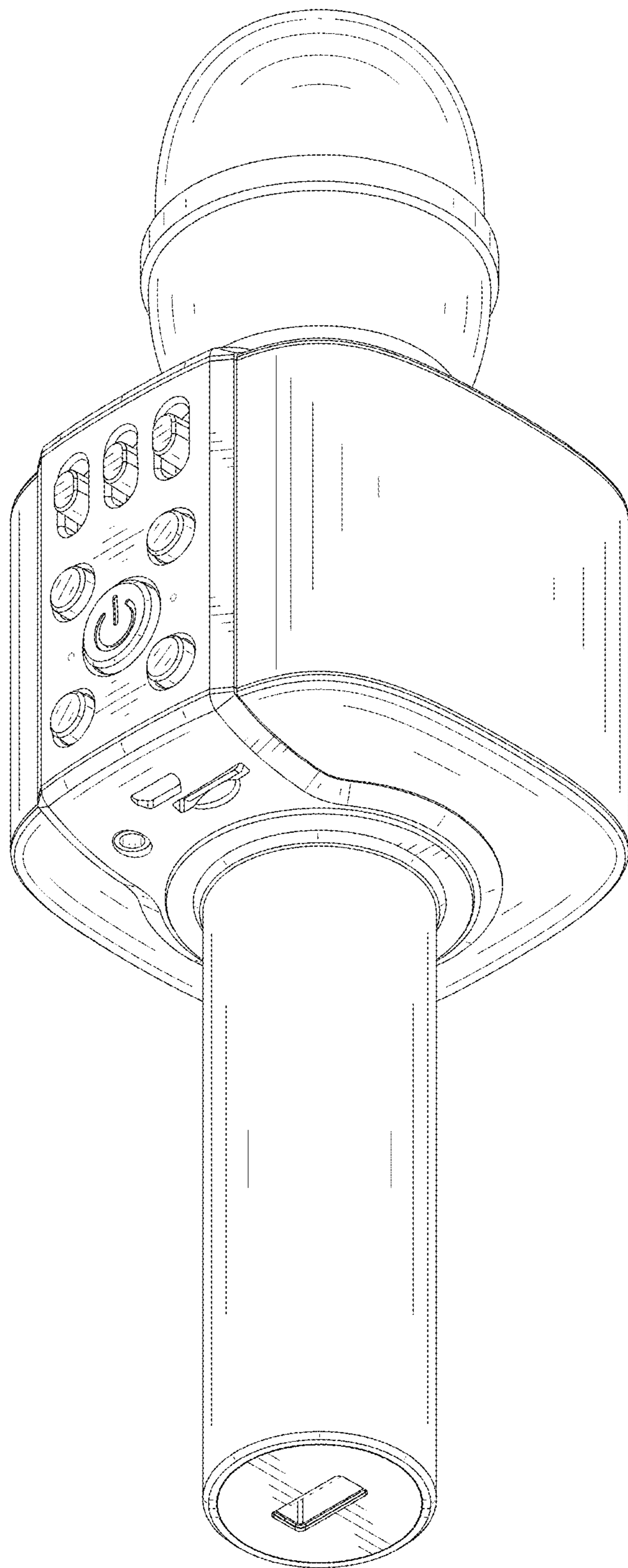


FIG.2

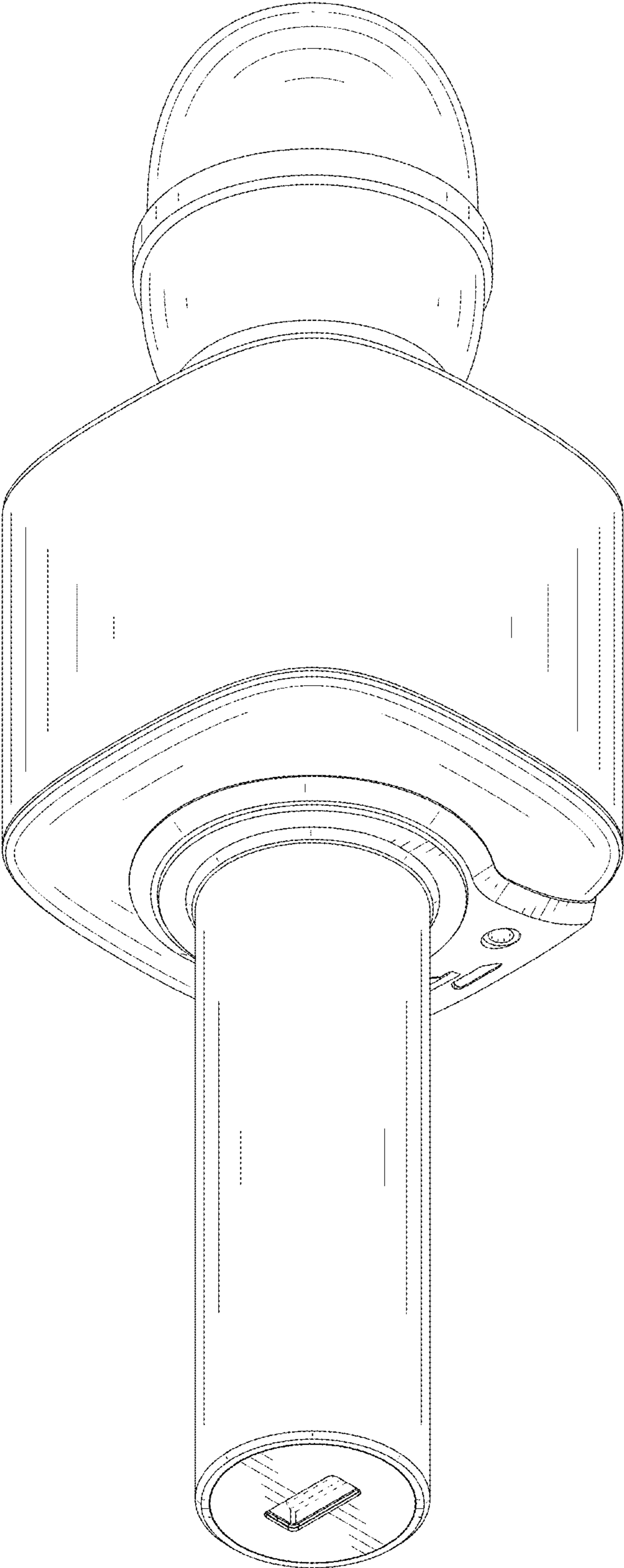


FIG.3

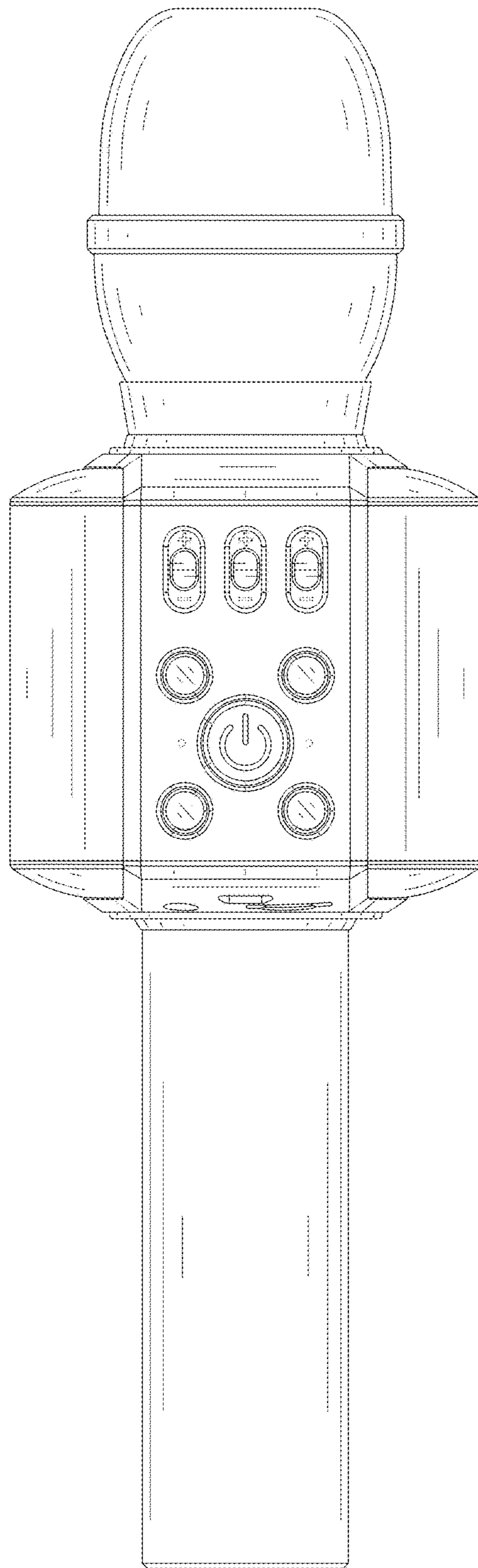


FIG.4

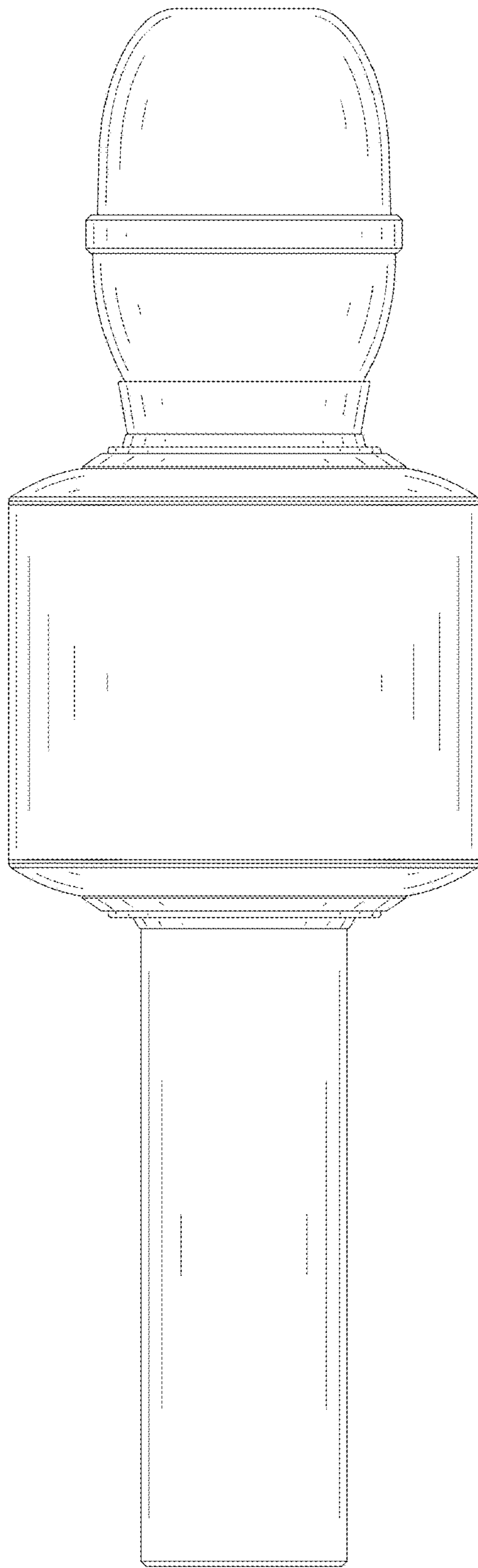


FIG.5

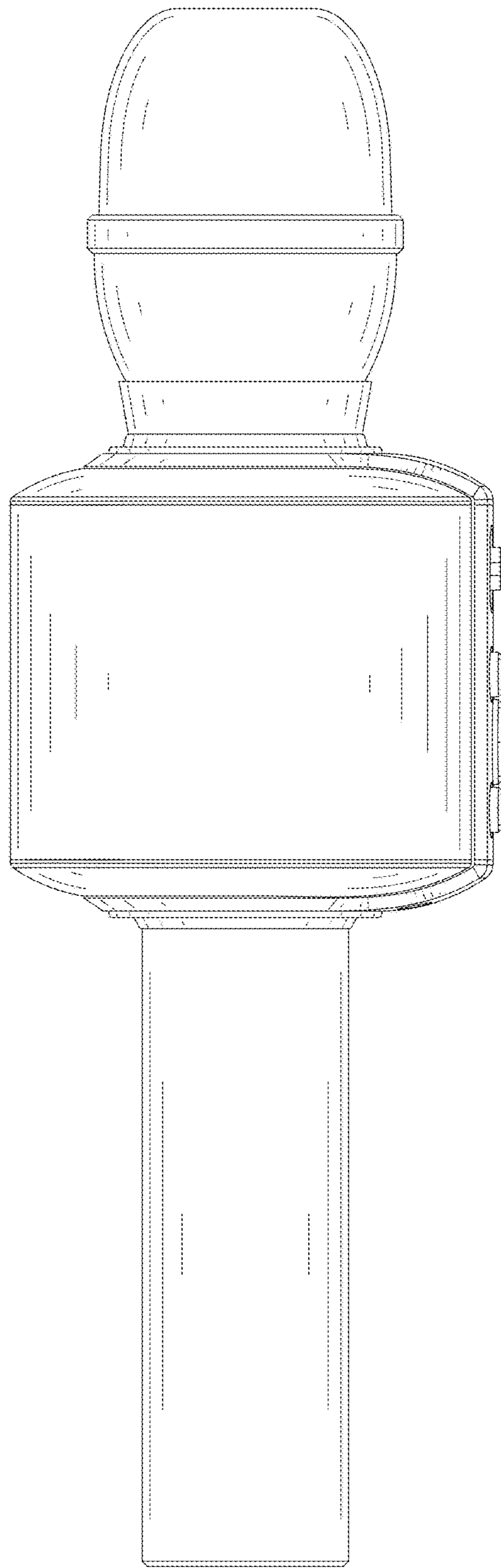


FIG.6

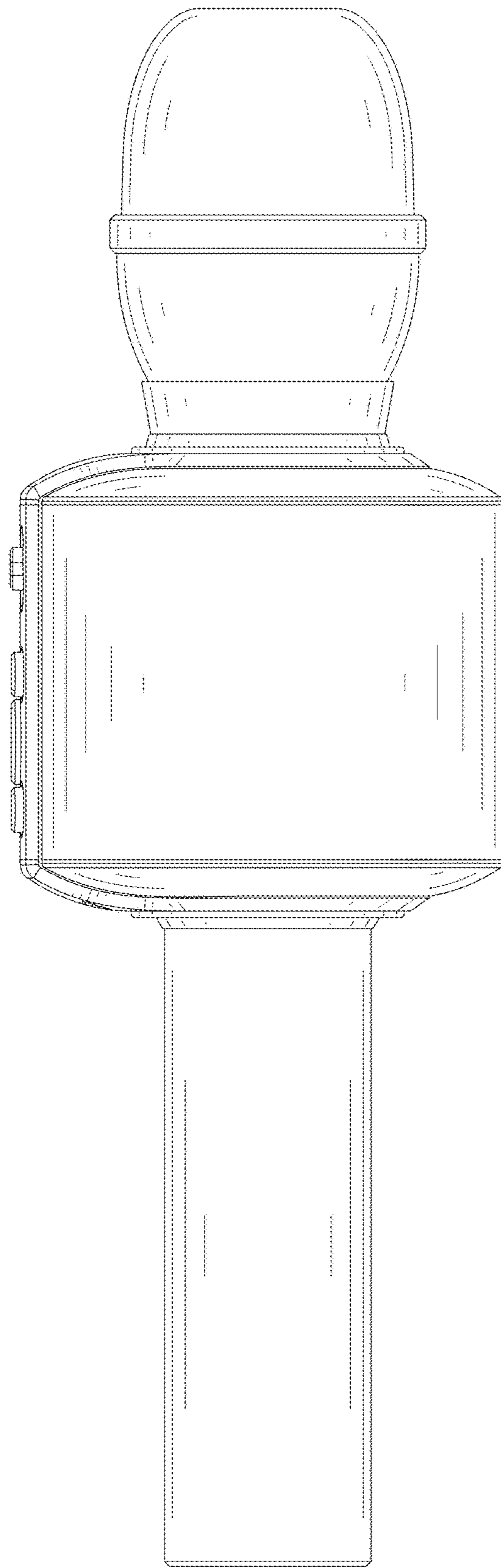


FIG.7

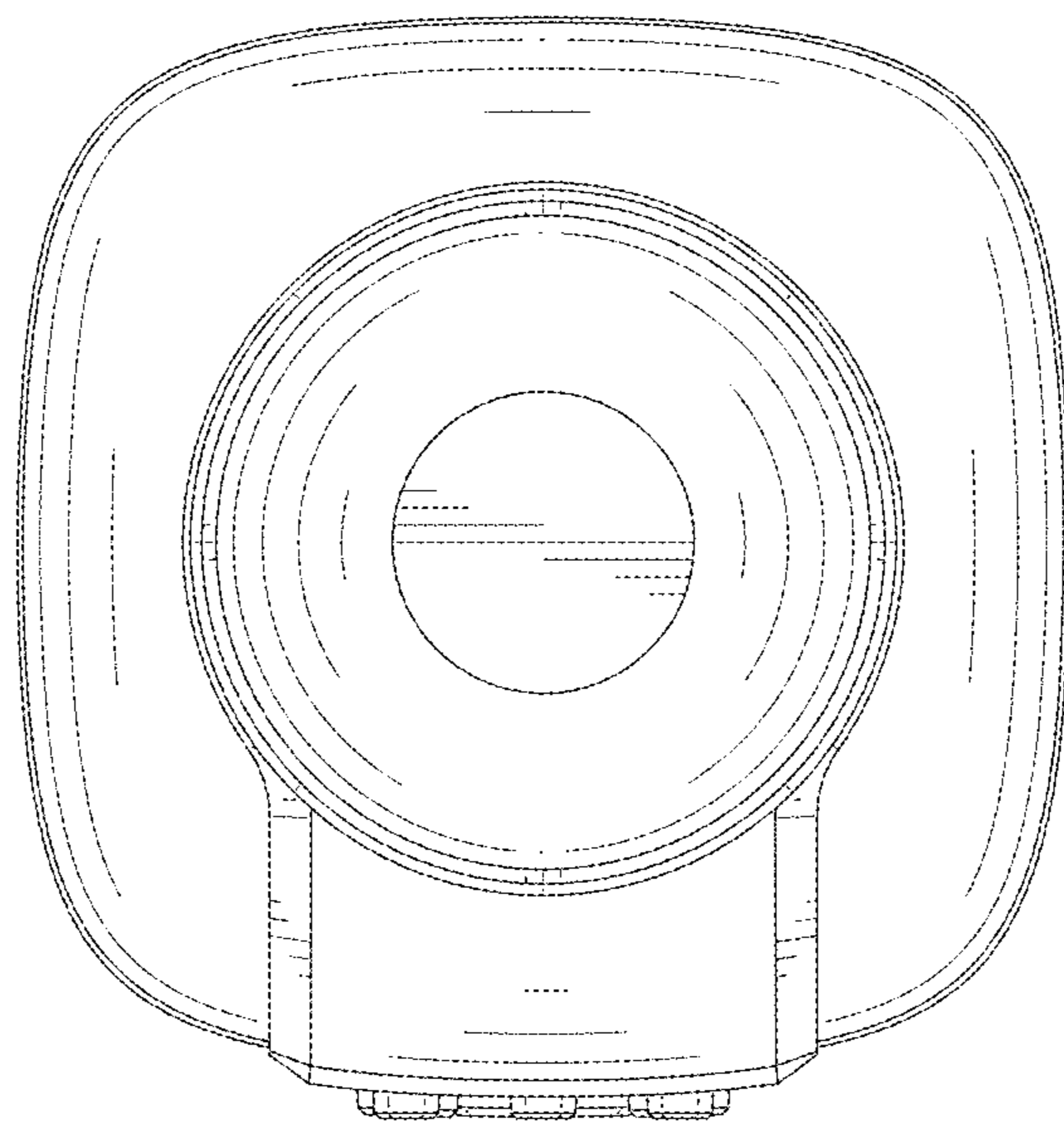


FIG.8

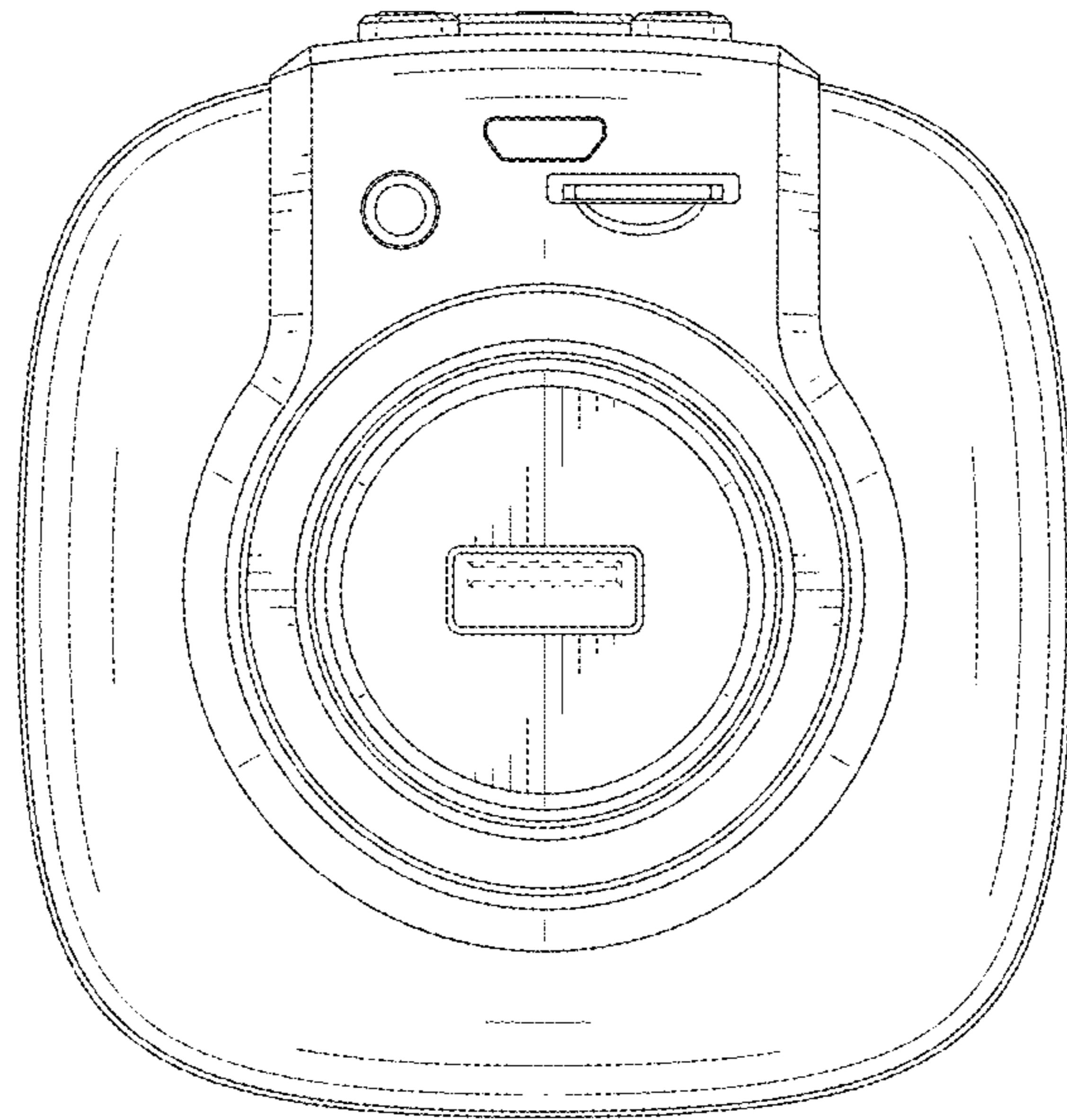


FIG.9