



US00D971892S

(12) **United States Design Patent**
Brogan et al.

(10) **Patent No.:** **US D971,892 S**
(45) **Date of Patent:** **** Dec. 6, 2022**

- (54) **HEADPHONE STAND**
- (71) Applicants: **John Brogan**, Doylestown, PA (US);
Scott Soley, Souderton, PA (US)
- (72) Inventors: **John Brogan**, Doylestown, PA (US);
Scott Soley, Souderton, PA (US)

- D784,056 S * 4/2017 Van Herpe D6/682
- D856,044 S * 8/2019 Fischer D6/677
- D865,747 S * 11/2019 Sage D14/447
- D872,725 S * 1/2020 Lindof D14/224
- D875,168 S * 2/2020 Kyte D16/242
- D885,852 S * 6/2020 Spencer D7/637
- D906,027 S * 12/2020 Dougherty D6/682
- D917,938 S * 5/2021 Dougherty D6/682

(Continued)

(**) Term: **15 Years**

(21) Appl. No.: **29/782,816**

(22) Filed: **May 10, 2021**

(51) **LOC (13) Cl.** **14-01**

(52) **U.S. Cl.**
USPC **D14/224**

(58) **Field of Classification Search**
USPC D14/155–159, 160–173, 187–188,
D14/189–198, 203.1–203.8, 204–216,
D14/217–222, 224–229, 253, 257–258,
D14/496, 498–506; D6/672–673, 675.1,
D6/682

CPC H04R 1/02; H04R 1/021; H04R 1/025;
H04R 1/026; H04R 1/028; H04R 1/06;
H04R 1/105; H04R 1/323; H04R 1/403;
H04R 1/2803; H04R 1/2834

See application file for complete search history.

(56) **References Cited**

U.S. PATENT DOCUMENTS

- 2,086,980 A * 7/1937 Kirby H04M 1/04
379/454
- 4,936,466 A * 6/1990 Nava A47F 7/02
248/176.1
- D356,906 S * 4/1995 Dardashti D6/674
- D610,835 S * 3/2010 Mono D6/682
- D628,830 S * 12/2010 Mono D6/682.3
- D698,203 S * 1/2014 Goodman D7/601
- D702,214 S * 4/2014 Son D14/224
- 8,752,814 B1 * 6/2014 Oliveto B25B 11/00
211/85.2
- D766,046 S * 9/2016 Guindi D7/601

FOREIGN PATENT DOCUMENTS

- KR 300970882.0000 * 8/2018
- TW 214910-0001 * 10/2021

OTHER PUBLICATIONS

Kubin Metal 6-Hook Coat & Hat Rack, date first available: May 25, 2020, [retrieved Jul. 13, 2022], Retrieved from Internet, URL: <https://www.amazon.com/Kings-Brand-Furniture-6-Hook-Umbrella/dp/B0895585RK/ref=sr_1_10?keywords=Coat+And+Umbrella+Stand&qid=1657744%E2%80%A6> (Year: 2020).*

(Continued)

Primary Examiner — Messina L Smith

Assistant Examiner — Aram Kwon

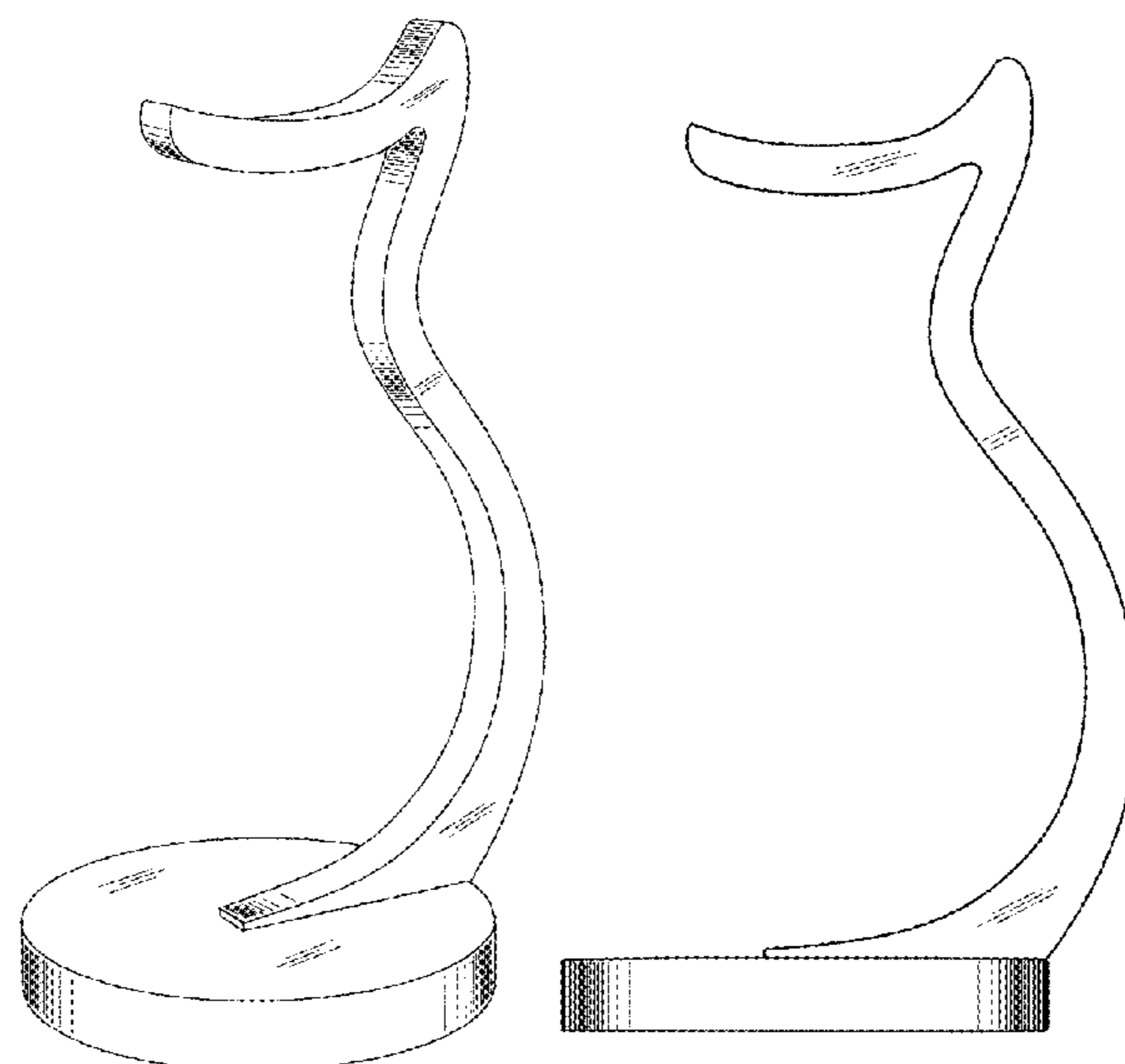
(57) **CLAIM**

The ornamental design for a headphone stand, as shown and described.

DESCRIPTION

FIG. 1 is a front, top, right perspective view of a headphone stand showing the new design;
FIG. 2 is a right side elevational view thereof, the left side elevation view being a mirror image;
FIG. 3 is top plan view thereof;
FIG. 4 is a bottom plan view thereof;
FIG. 5 is a front elevational view thereof; and,
FIG. 6 is a back elevational view thereof.

1 Claim, 5 Drawing Sheets



(56)

References Cited

U.S. PATENT DOCUMENTS

D928,127 S * 8/2021 Brogan D14/224

OTHER PUBLICATIONS

Black Metal Hat Stand, date first available: Nov. 19, 2014, [retrieved Jul. 13, 2022], Retrieved from Internet, URL: <https://www.amazon.com/MyGift-Freestanding-Holder-Storage-Display/dp/B00PTE4UTY/ref=asc_df_B00PTE4UTY/?tag=hyprod-20&linkCode=df0&hv%E2%80%A6> (Year: 2014).*

Satechi Aluminum USB Headphone Stand Holder, date first available: Jul. 15, 2020, [retrieved Jul. 13, 2022], Retrieved from Internet, URL: <<https://www.amazon.com/dp/B089JCVPCD?linkCode=ogi&tag=geapat-20&ascsubtag=%5Bartid%7C2165.g.38199122%5Bsrc%7C%5Bch%7C%5BI%E2%80%A6>> (Year: 2020).*

Auray HPDS-B Desktop Headphone Stand, review date: Feb. 16, 2018, [retrieved Jul. 13, 2022], Retrieved from Internet, URL: <https://www.bhphotovideo.com/c/product/1334341-REG/auray_hpds_b_headphone_desktop_stand_black.html/?ap=y&ap=y&smp=y&smp=y&lsft=BI%25%E2%80%A6> (Year: 2018).*

Headphone stand, date not available, [retrieved Jul. 13, 2022], Retrieved from Internet, URL: <<https://www.etsy.com/listing/1109152037/headphone-stand-headphone-holder>> (Year: 2022).*

* cited by examiner

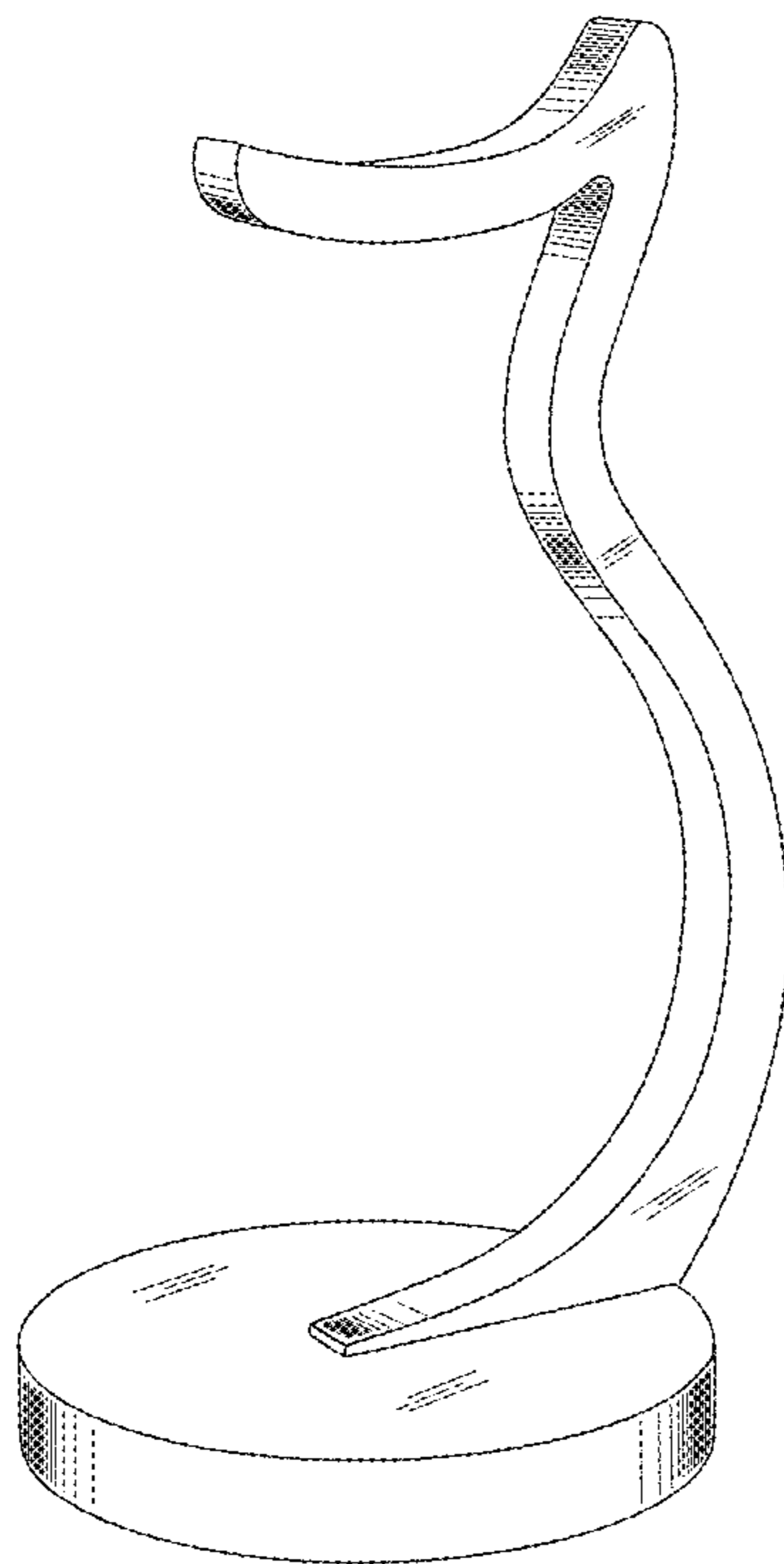


Fig. 1

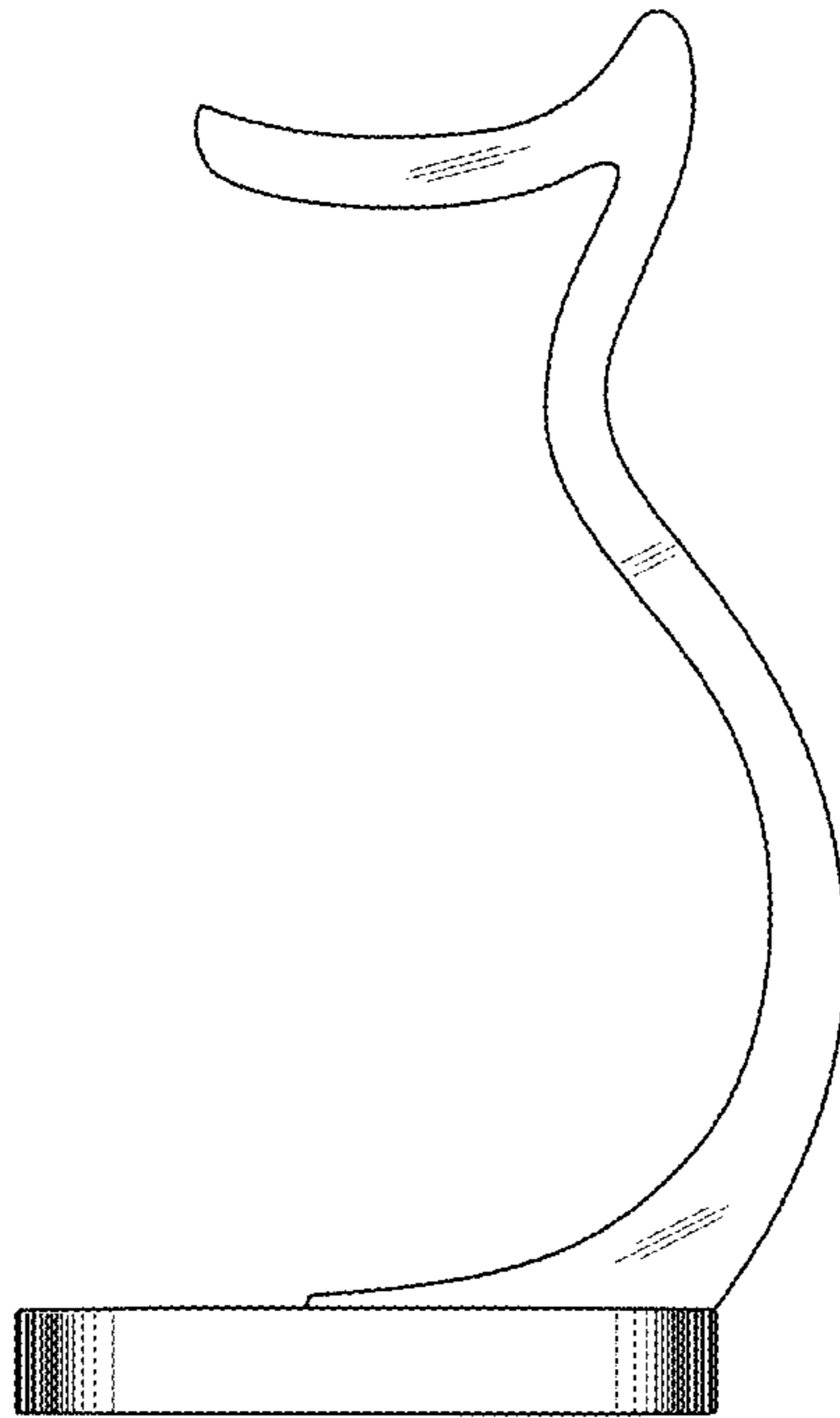


Fig. 2

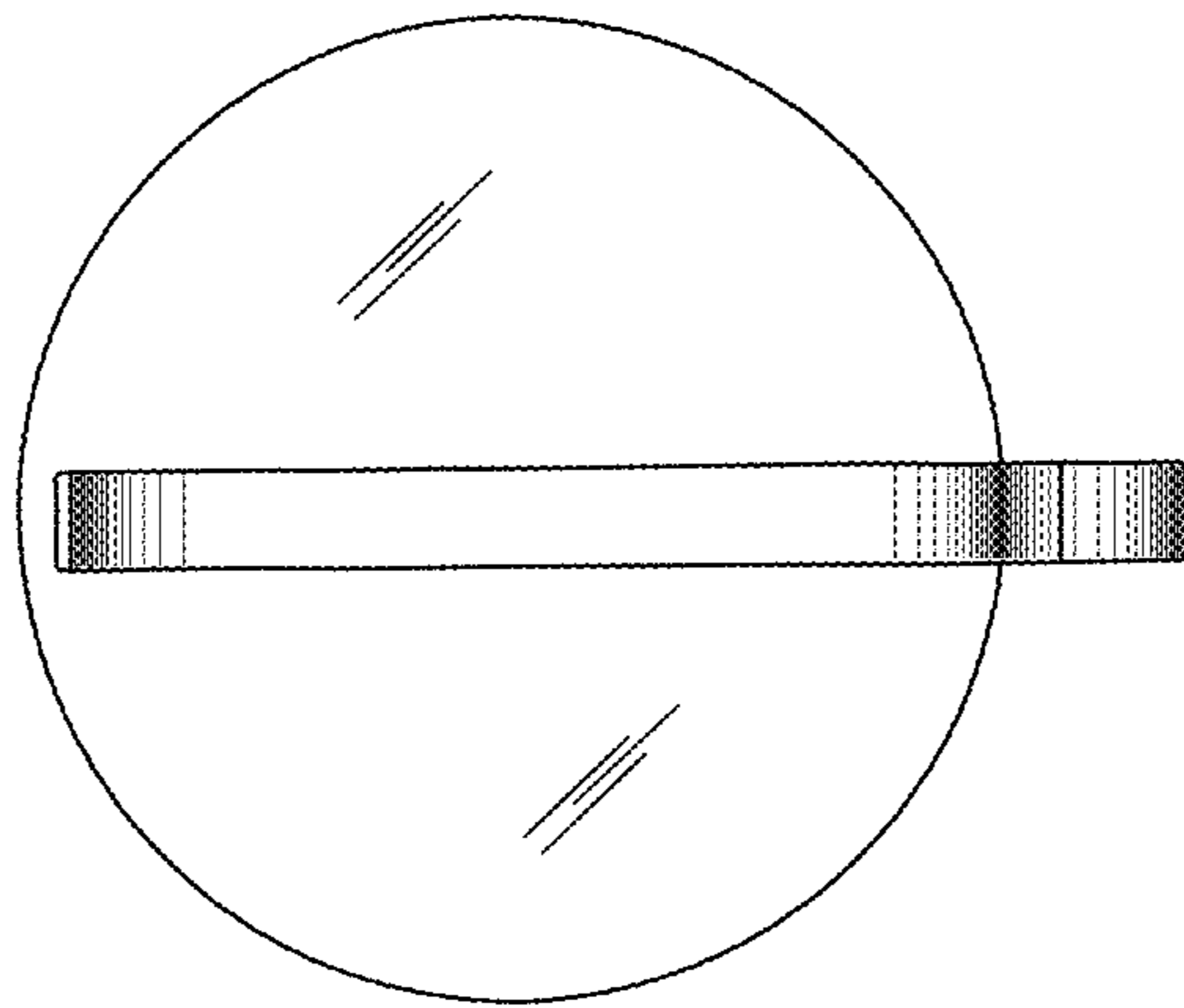


Fig. 3

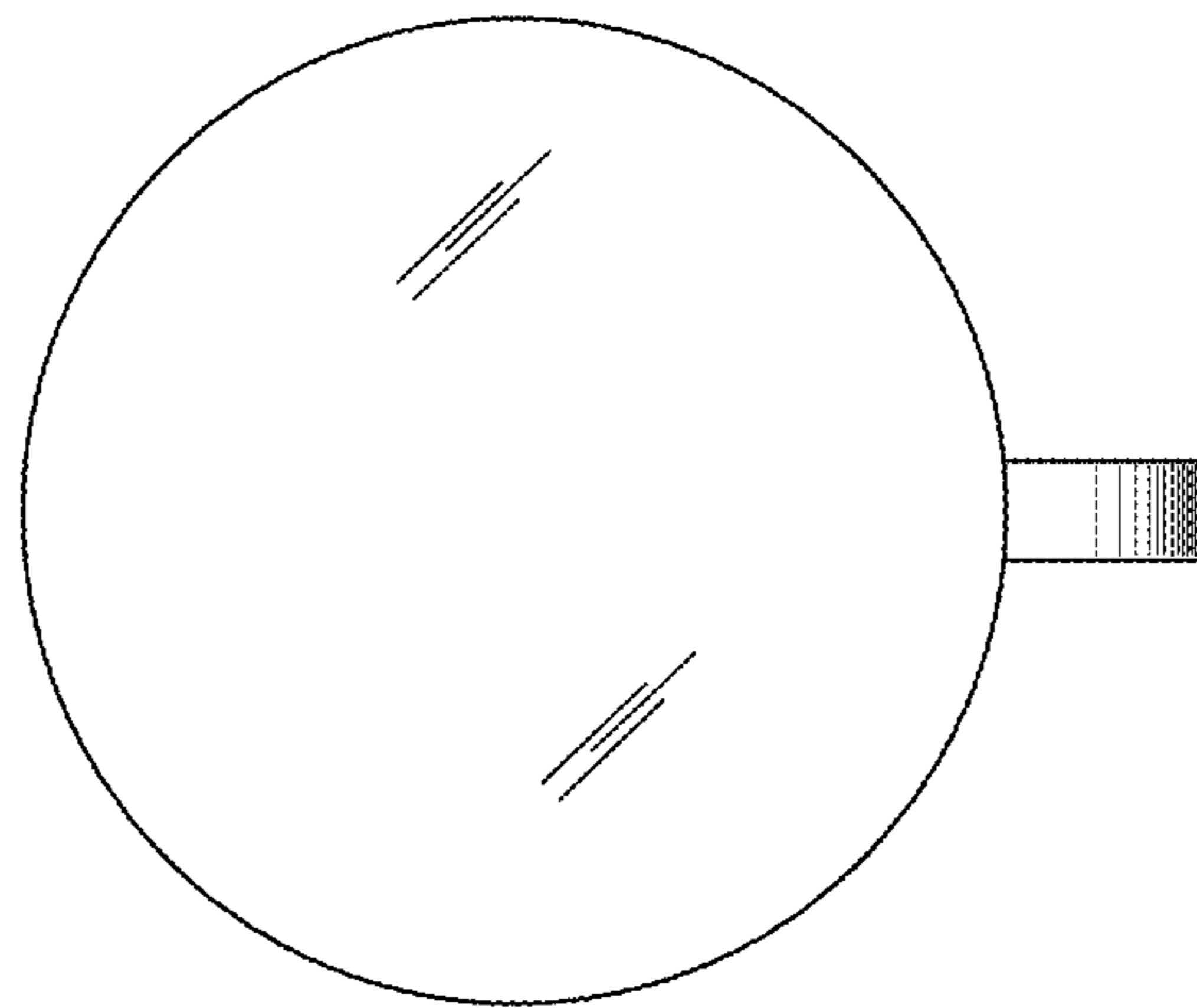


Fig. 4

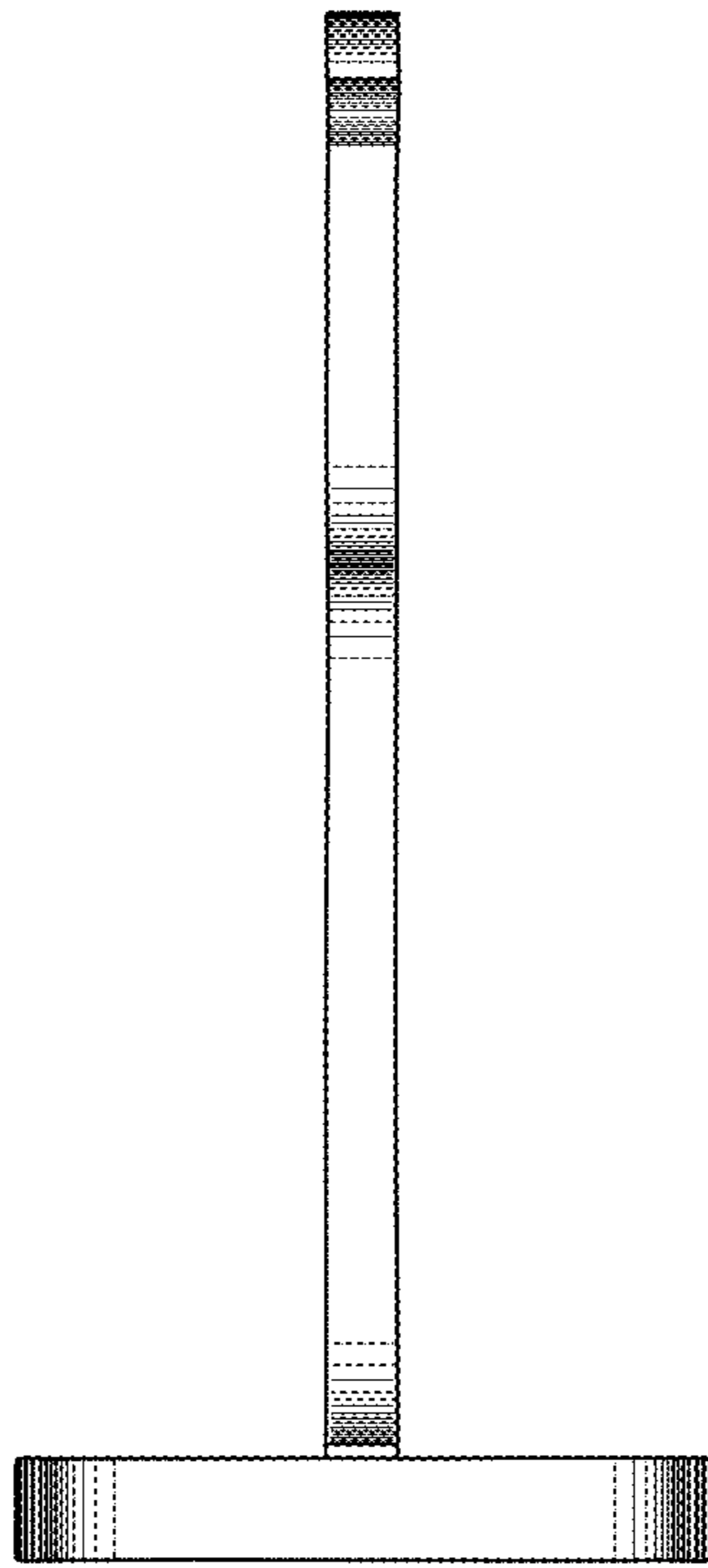


Fig. 5

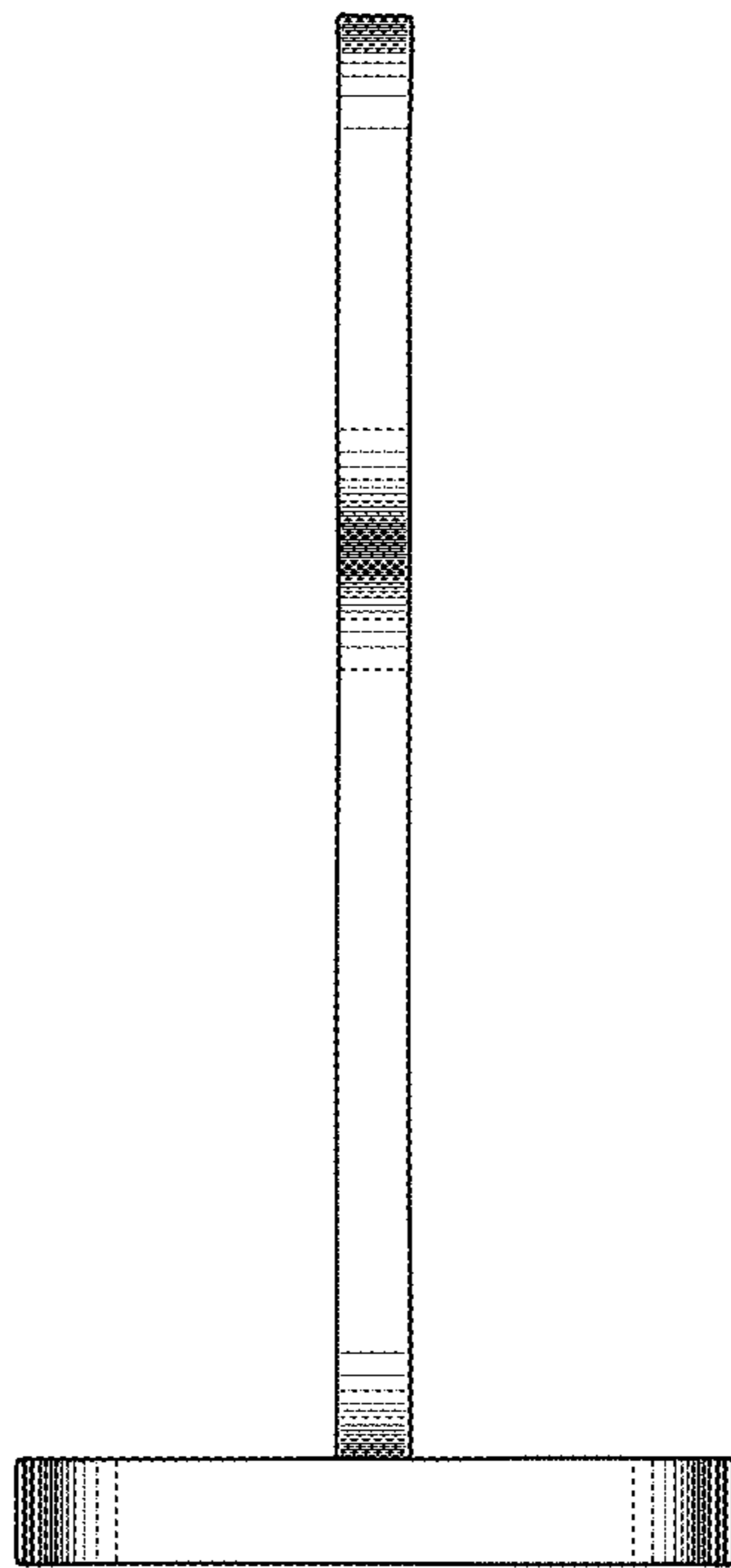


Fig. 6