



US00D971891S

(12) **United States Design Patent** (10) **Patent No.:** **US D971,891 S**
Li (45) **Date of Patent:** **** Dec. 6, 2022**

(54) **PAIR OF BLUETOOTH EARPHONES**
(71) Applicant: **SHENZHEN SHI KISB ELECTRONIC CO., LTD.**, Shenzhen (CN)
(72) Inventor: **Yongli Li**, Shenzhen (CN)
(73) Assignee: **SHENZHEN SHI KISB ELECTRONIC CO., LTD.**, Shenzhen (CN)

(**) Term: **15 Years**

(21) Appl. No.: **29/796,854**

(22) Filed: **Jun. 28, 2021**

(30) **Foreign Application Priority Data**

Apr. 28, 2021 (CN) 202130253295.4

(51) **LOC (13) Cl.** **14-01**

(52) **U.S. Cl.**
USPC **D14/223**

(58) **Field of Classification Search**
USPC D14/223, 205, 206; D24/174, 217, 218; 128/864, 865, 866; 181/129, 130, 135; 379/430, 431; 381/380, 381, 322-324, 381/330; 455/90.3, 575, 1, 569.1; D9/415, 432, 721; D3/274, 294; D13/108
CPC H04R 1/10; H04R 25/00; H04R 1/1016; H04R 1/1066; H04R 5/033; H04R 5/0335; H04R 1/1091; H04R 1/1058; H04R 1/105; H04R 1/1083

See application file for complete search history.

(56) **References Cited**

U.S. PATENT DOCUMENTS

2,430,229 A * 11/1947 Kelsey H04R 25/656 381/313
D877,722 S * 3/2020 Yang D14/223

D878,337 S * 3/2020 Yang D14/223
D885,373 S * 5/2020 Lundbäck D14/223
D914,646 S * 3/2021 Yang D14/223
D920,290 S * 5/2021 Schaal D14/223
D930,621 S * 9/2021 Rong D14/223
D938,400 S * 12/2021 Du D14/223
D940,691 S * 1/2022 Zhang D14/223
D947,159 S * 3/2022 Liang D14/223
D949,832 S * 4/2022 Zhou D14/223
D962,202 S * 8/2022 Zhang D14/223
D962,898 S * 9/2022 Deng D14/223

* cited by examiner

Primary Examiner — Katie Jane Stofko

(74) *Attorney, Agent, or Firm* — Jeenam Park

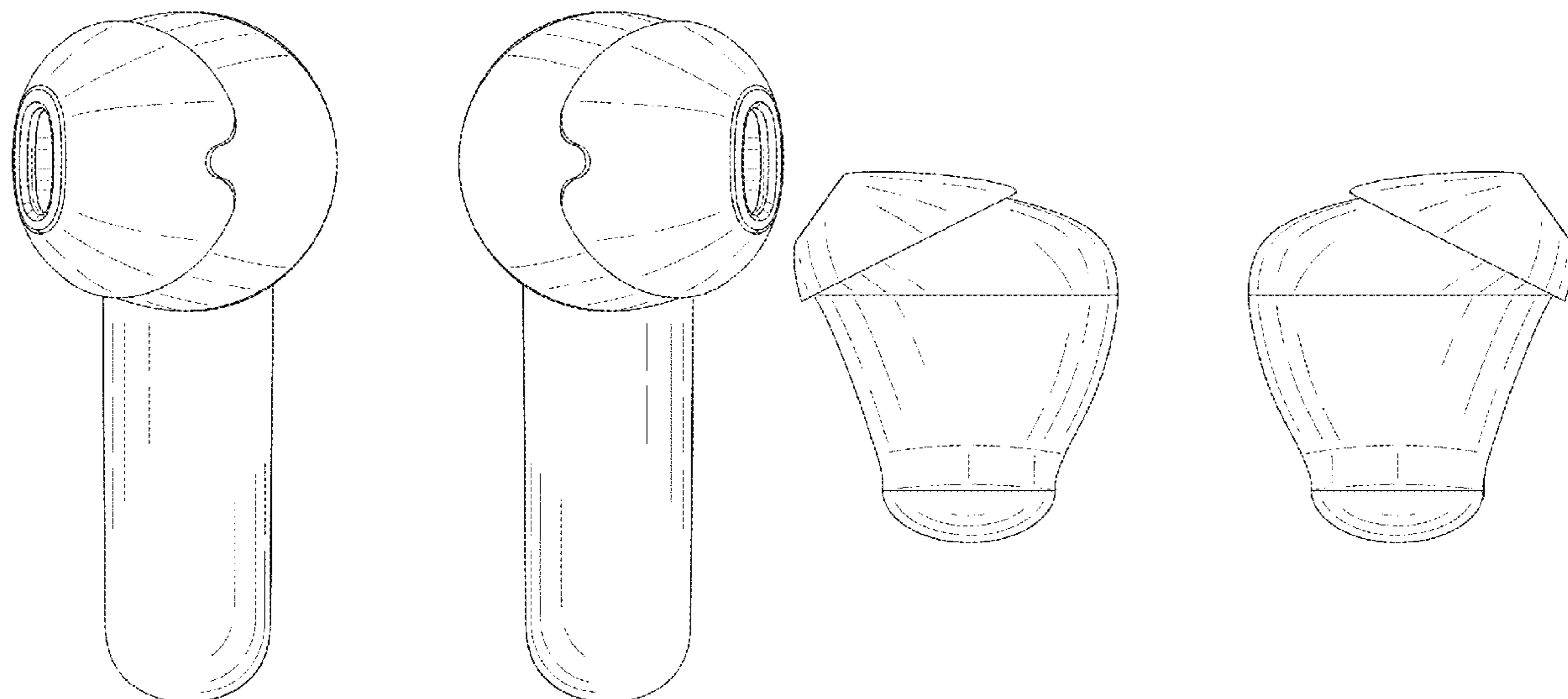
(57) **CLAIM**

The ornamental design for a pair of bluetooth earphones, as shown and described.

DESCRIPTION

FIG. 1 is a rear and left side perspective view of a pair of bluetooth earphones showing my new design;
FIG. 2 is a front and left side perspective view thereof, shown in an environment of use;
FIG. 3 is a front view thereof;
FIG. 4 is a rear view thereof;
FIG. 5 is a left side view thereof;
FIG. 6 is a right side view thereof;
FIG. 7 is a top plan view thereof; and,
FIG. 8 is a bottom plan view thereof.
The dashed or broken lines shown in the drawings depict portions of the pair of bluetooth earphones in which the design is embodied that form no part of the claimed design.

1 Claim, 8 Drawing Sheets



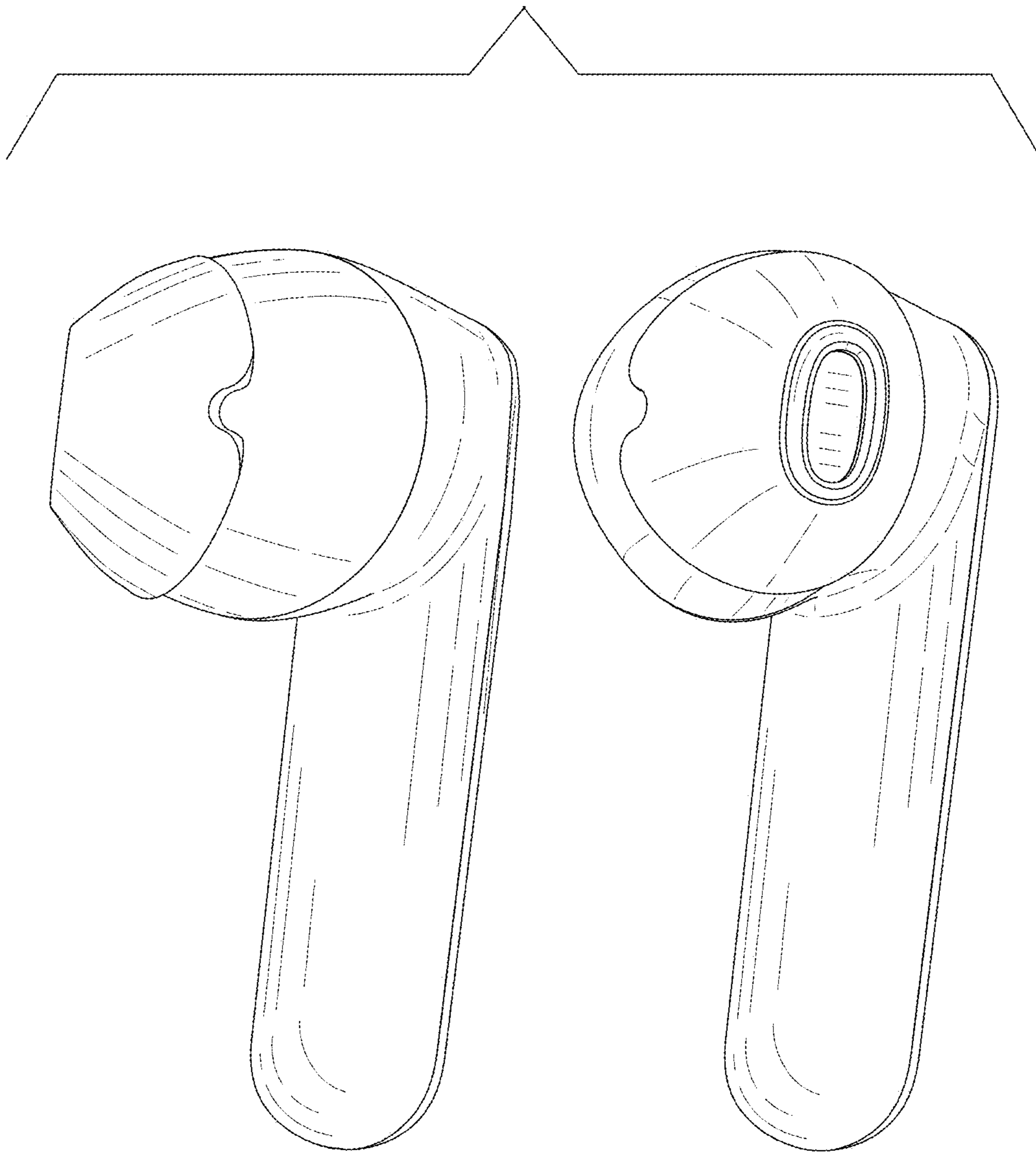


FIG.1

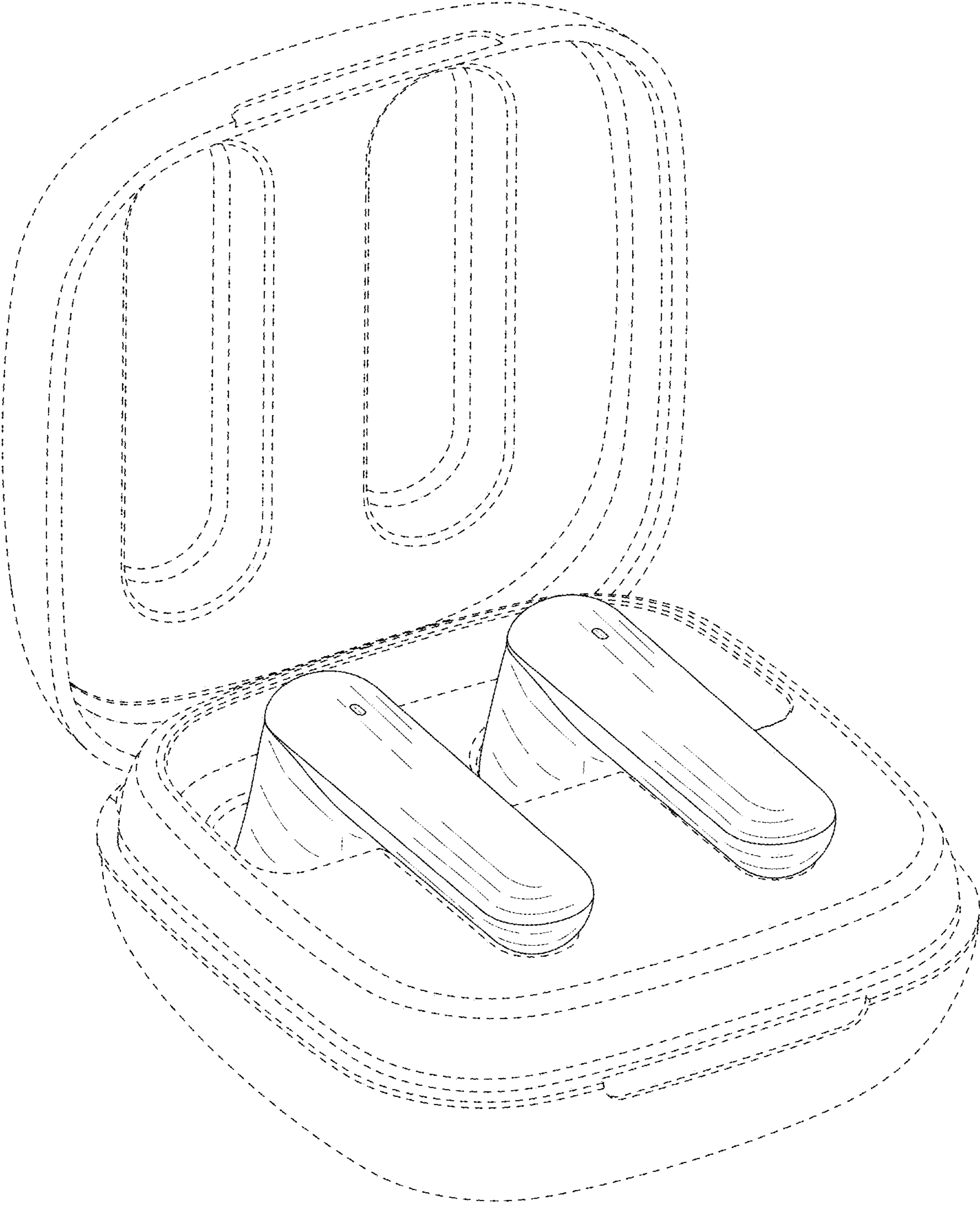


FIG.2

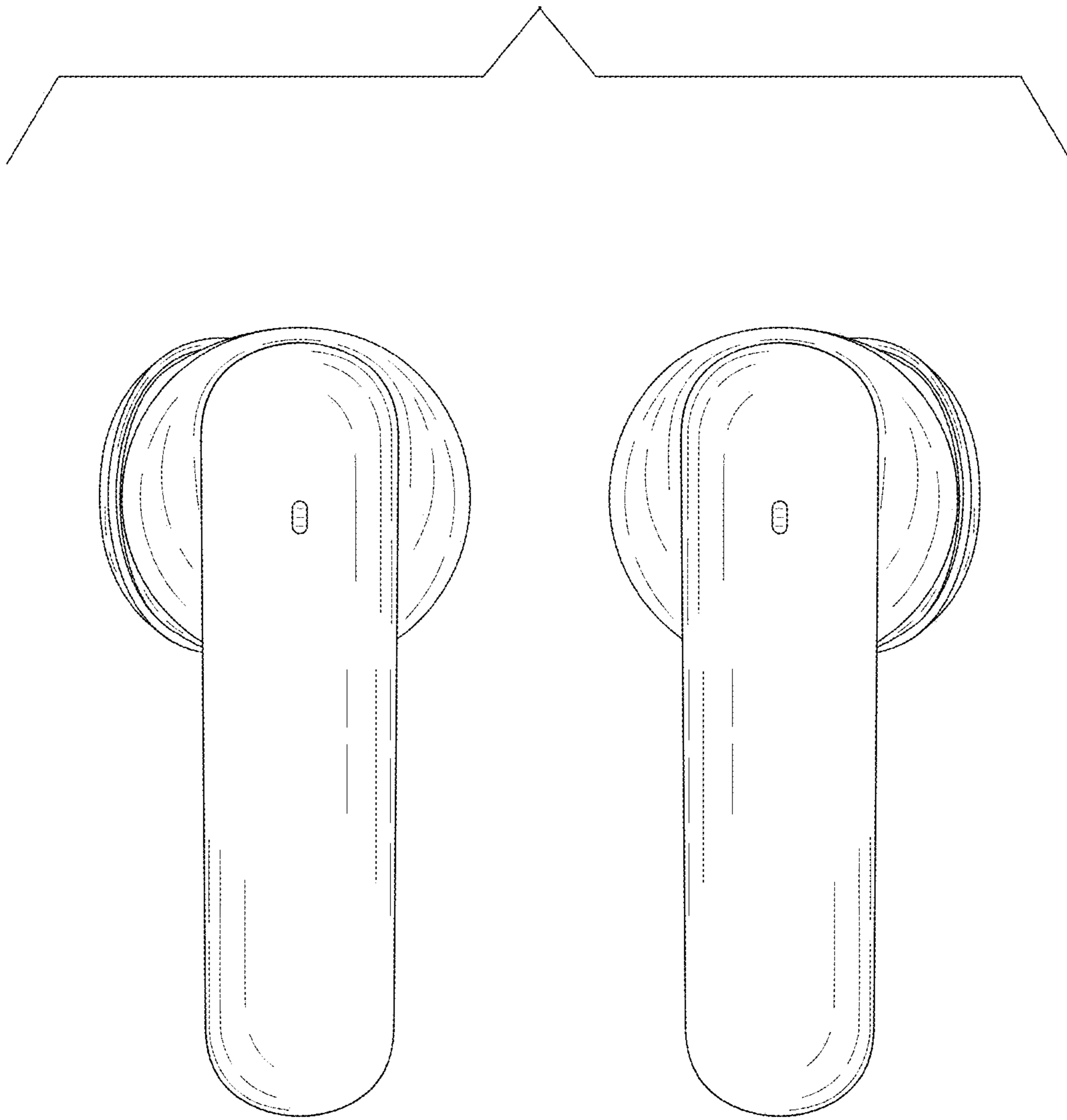


FIG.3

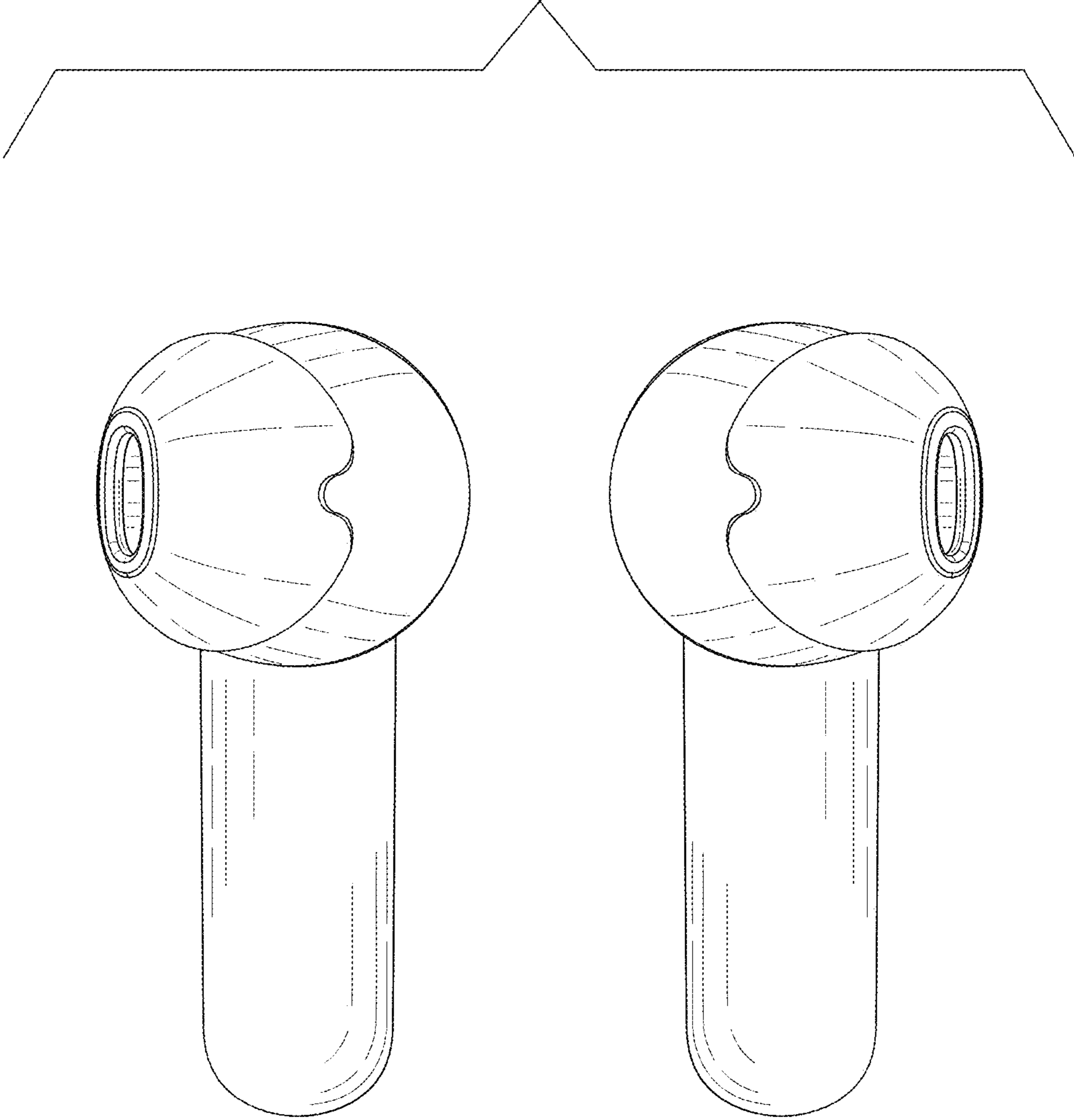


FIG.4

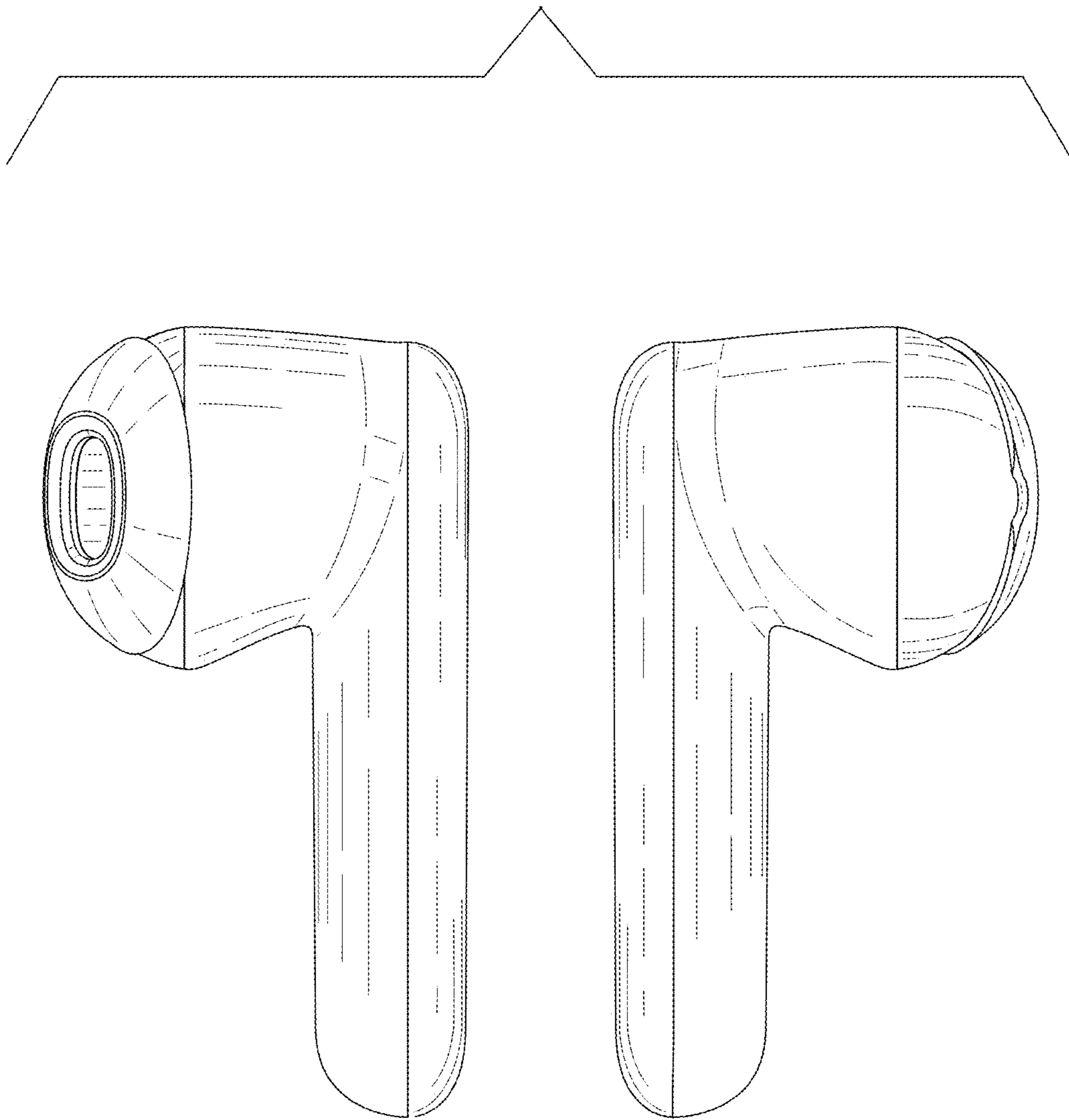


FIG.5

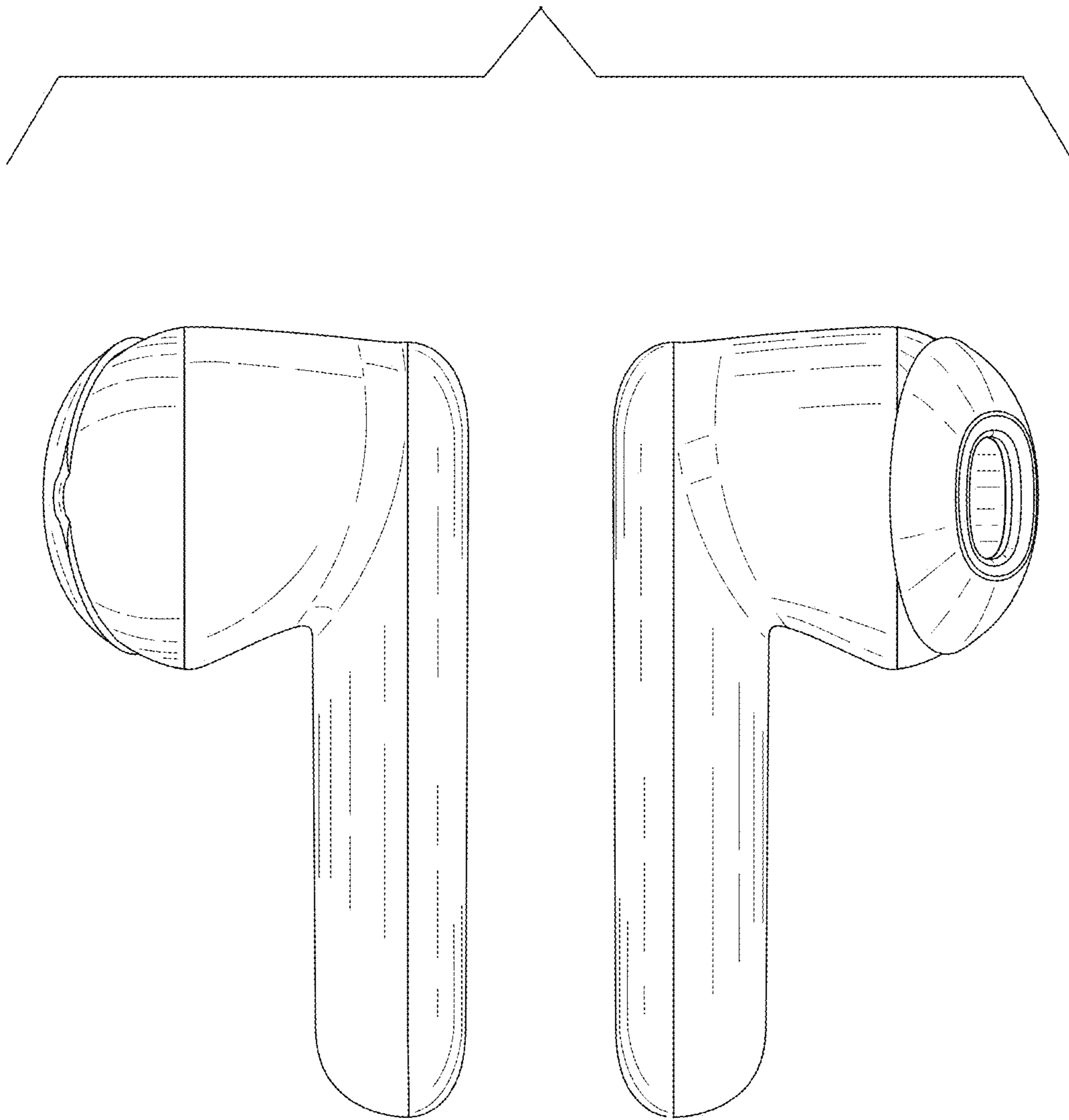


FIG.6

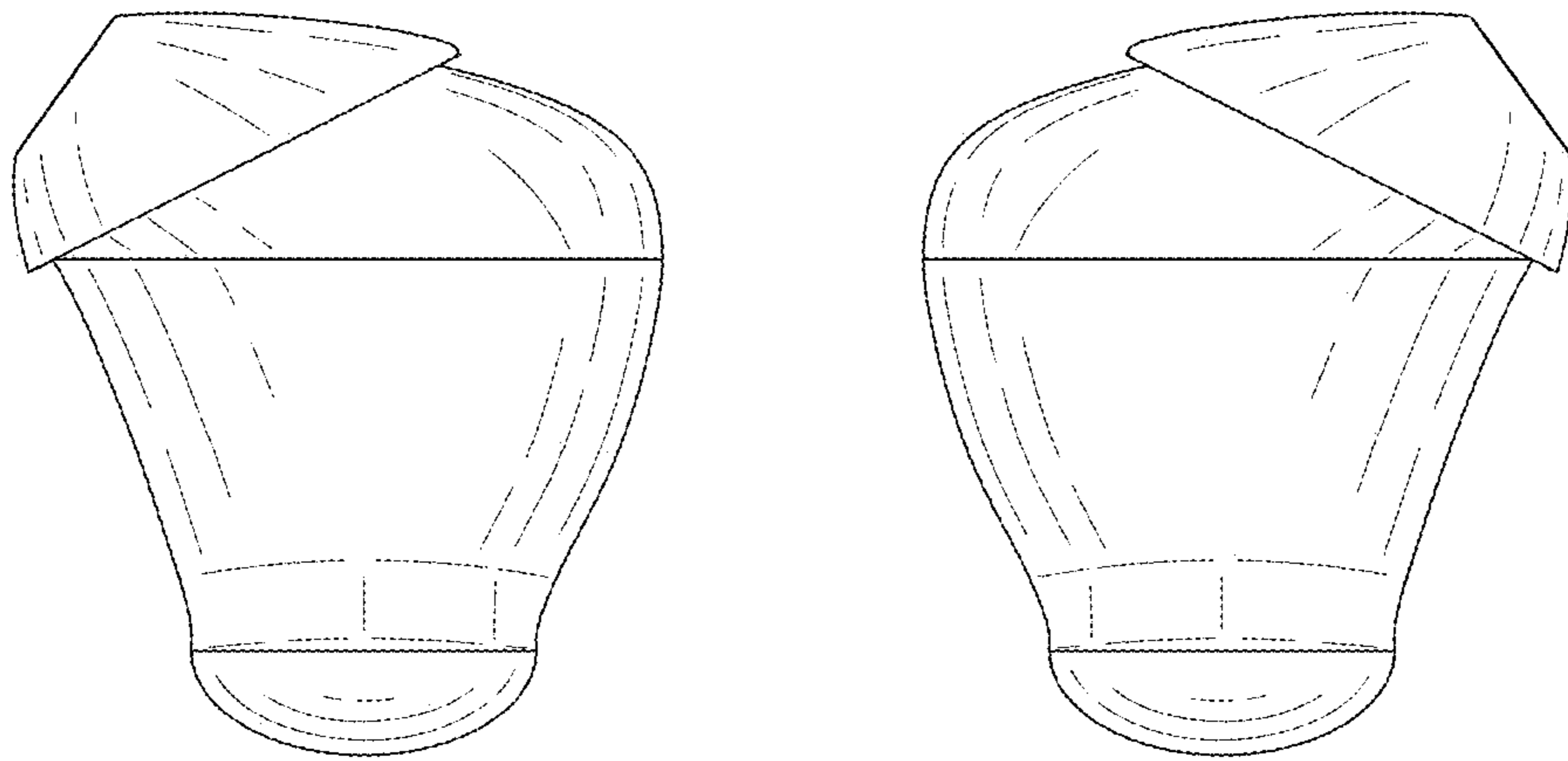
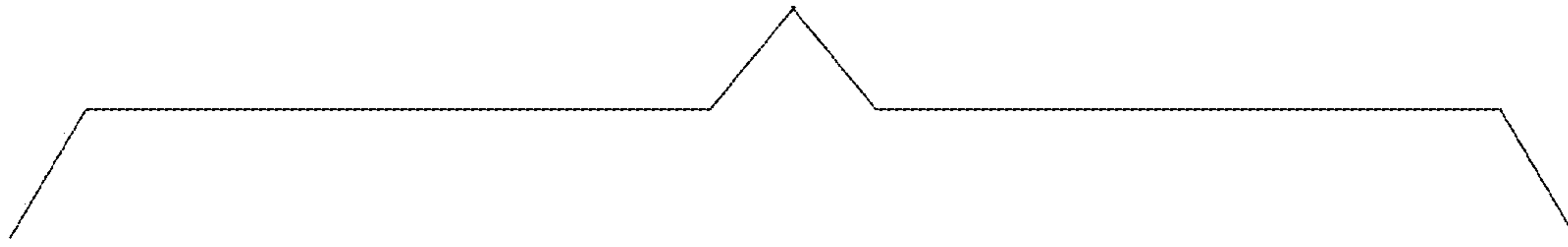


FIG.7

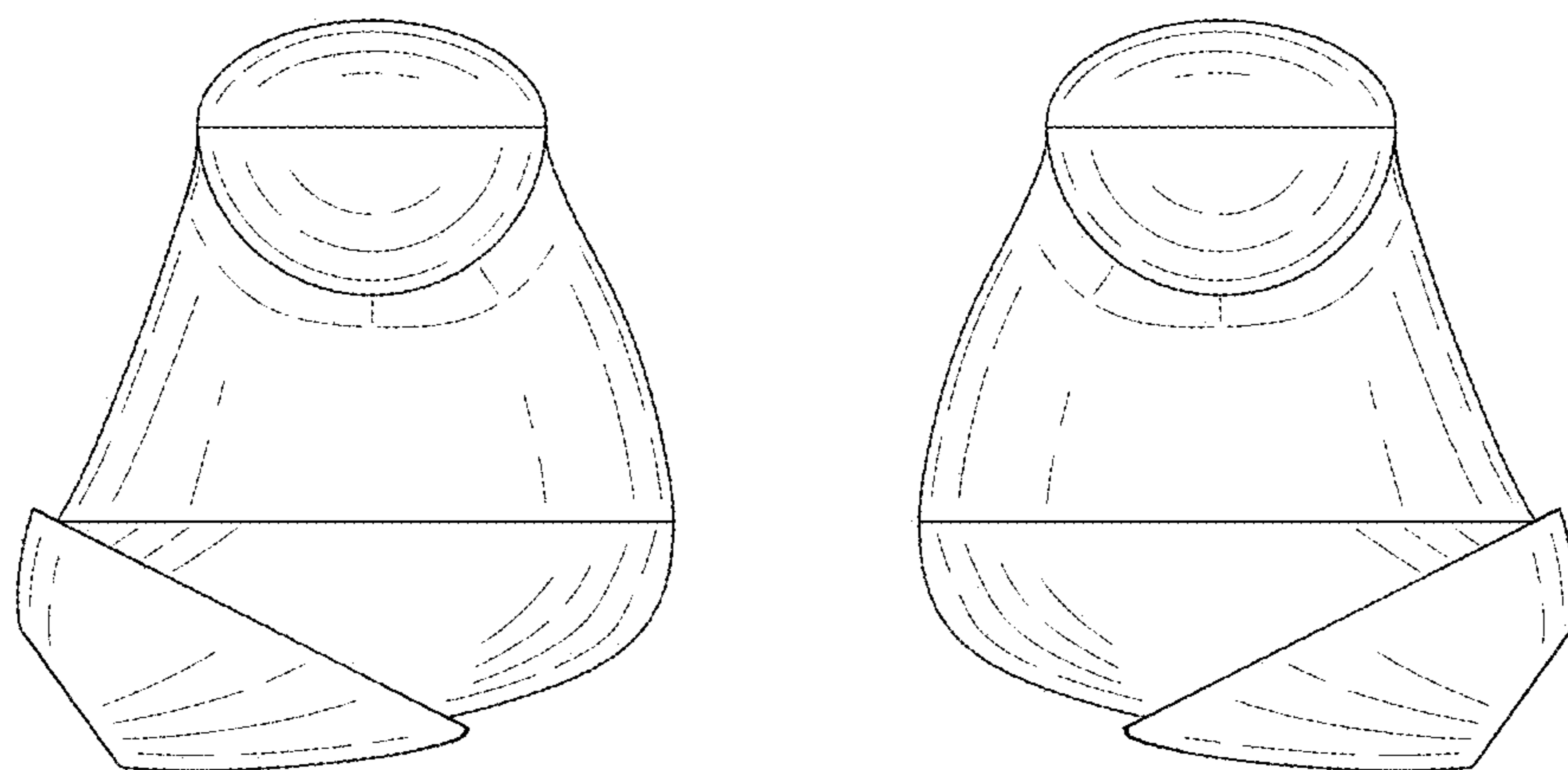
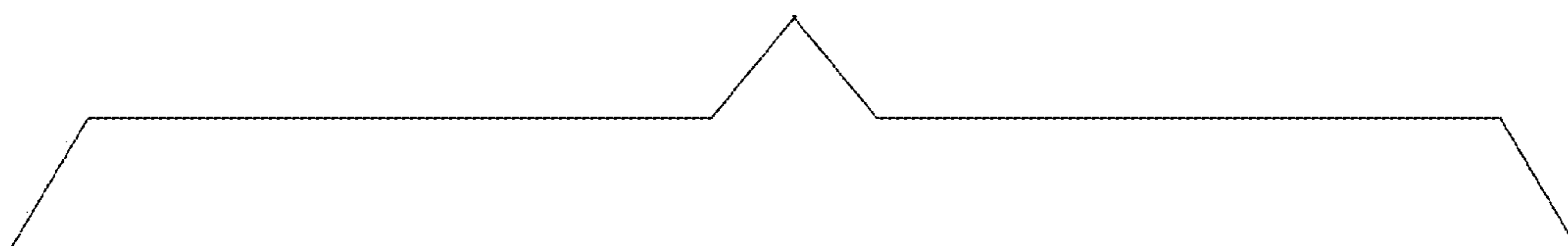


FIG.8