



US00D971887S

(12) **United States Design Patent**
Li

(10) **Patent No.:** **US D971,887 S**

(45) **Date of Patent:** **** Dec. 6, 2022**

(54) **PAIR OF EARPHONES**

(71) Applicant: **J2 INTERNATIONAL GROUP LIMITED**, Hong Kong (CN)

(72) Inventor: **Junfeng Li**, Shenzhen (CN)

(73) Assignee: **STB INTERNATIONAL LIMITED**, Hong Kong (CN)

(**) Term: **15 Years**

(21) Appl. No.: **29/782,957**

(22) Filed: **May 10, 2021**

(51) **LOC (13) Cl.** **14-01**

(52) **U.S. Cl.**
USPC **D14/223**

(58) **Field of Classification Search**
USPC D14/223, 205, 206; D24/174, 217, 218;
128/864, 865, 866; 181/129, 130, 135;
379/430, 431; 381/380, 381, 322-324,
381/330; 455/90.3, 575, 1, 569.1;
D9/415, 432, 721; D3/274, 294;
D13/108

CPC H04R 1/10; H04R 25/00; H04R 1/1016;
H04R 1/1066; H04R 5/033; H04R
5/0335; H04R 1/1091; H04R 1/1058;
H04R 1/105; H04R 1/1083

See application file for complete search history.

(56) **References Cited**

U.S. PATENT DOCUMENTS

D762,616 S * 8/2016 Hsieh D14/223
D848,980 S * 5/2019 Kim D14/223

D877,722 S * 3/2020 Yang D14/223
D887,396 S * 6/2020 Wang D14/223
D890,138 S * 7/2020 Peng D14/223
D907,008 S * 1/2021 Yao D14/223
D908,665 S * 1/2021 Wen D14/223
D912,017 S * 3/2021 Chen D14/223
D914,644 S * 3/2021 Zhu D14/223
D940,690 S * 1/2022 Zhang D14/223
D940,691 S * 1/2022 Zhang D14/223
D951,917 S * 5/2022 Chen D14/223
D962,202 S * 8/2022 Zhang D14/223

* cited by examiner

Primary Examiner — Katie Jane Stofko

(74) *Attorney, Agent, or Firm* — Nitin Kaushik

(57) **CLAIM**

The ornamental design for a pair of earphones, as shown and described.

DESCRIPTION

FIG. 1 is a front, top and right side perspective view of a pair of earphones showing my new design;

FIG. 2 is a rear, bottom and left side perspective view thereof;

FIG. 3 is a front elevational view thereof;

FIG. 4 is a rear elevational view thereof;

FIG. 5 is a left side elevational view thereof;

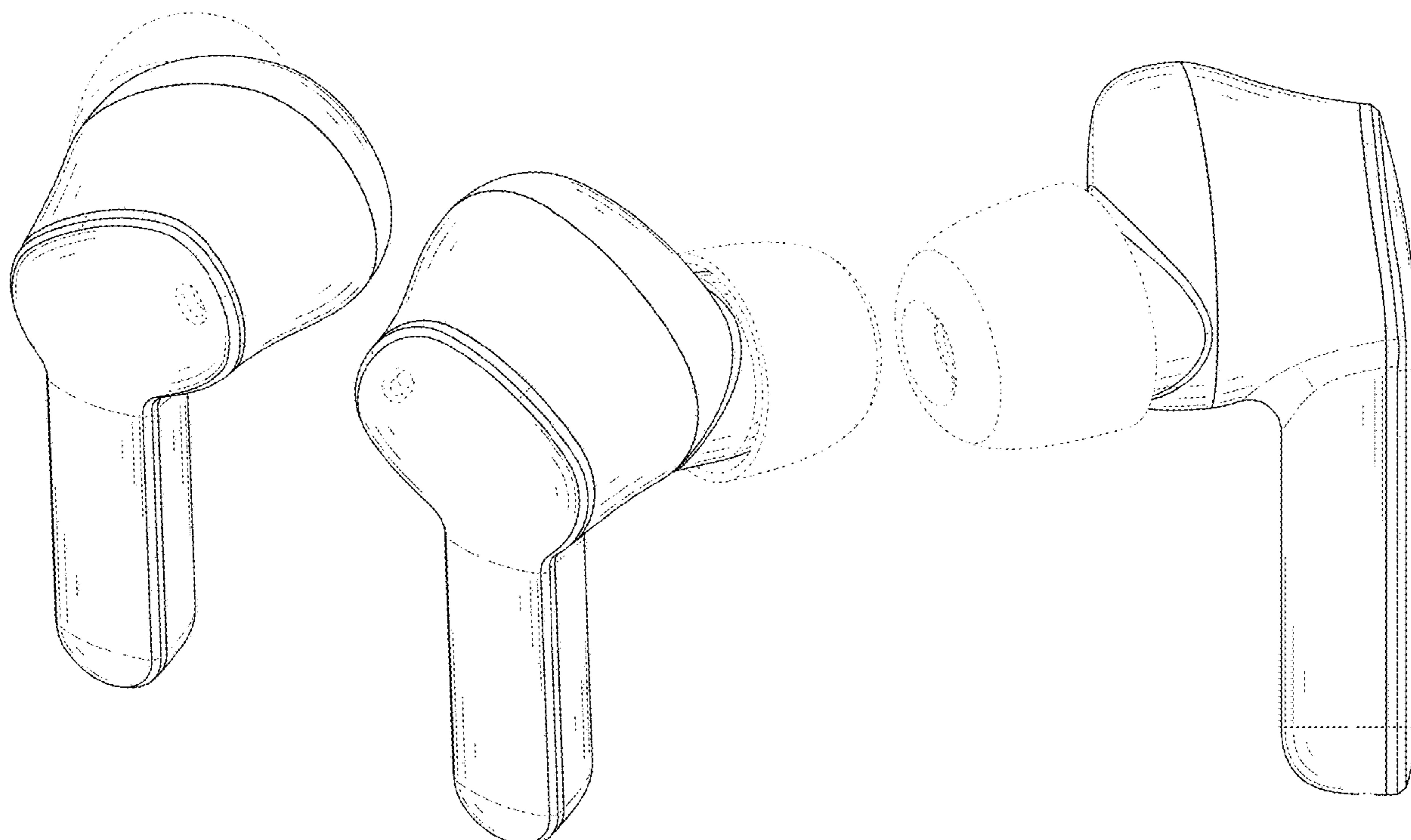
FIG. 6 is a right side elevational view thereof;

FIG. 7 is a top plan view thereof; and,

FIG. 8 is a bottom plan view thereof.

The broken lines in the drawings depict portions of the pair of earphones that form no part of the claimed design.

1 Claim, 8 Drawing Sheets



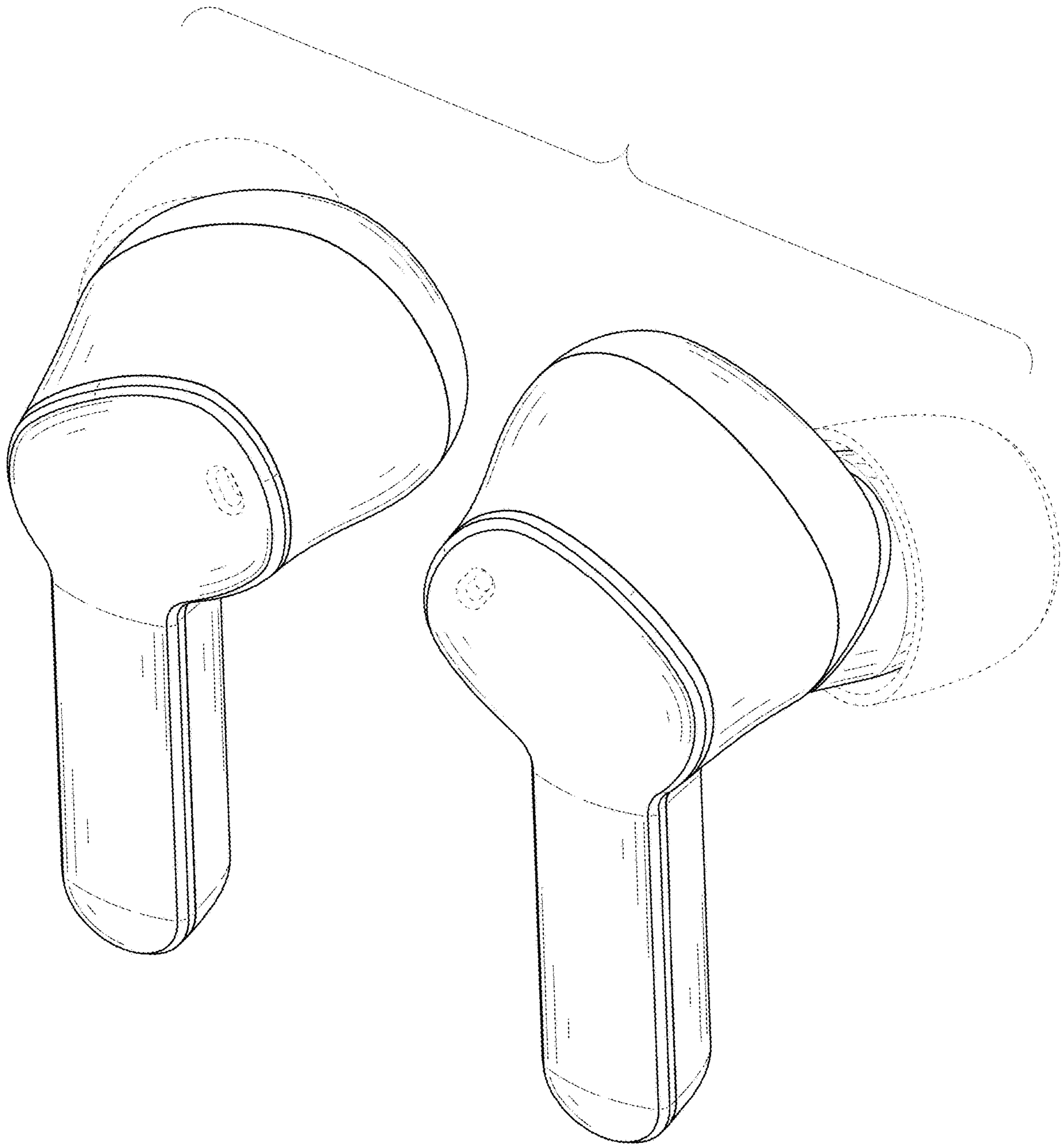


FIG. 1

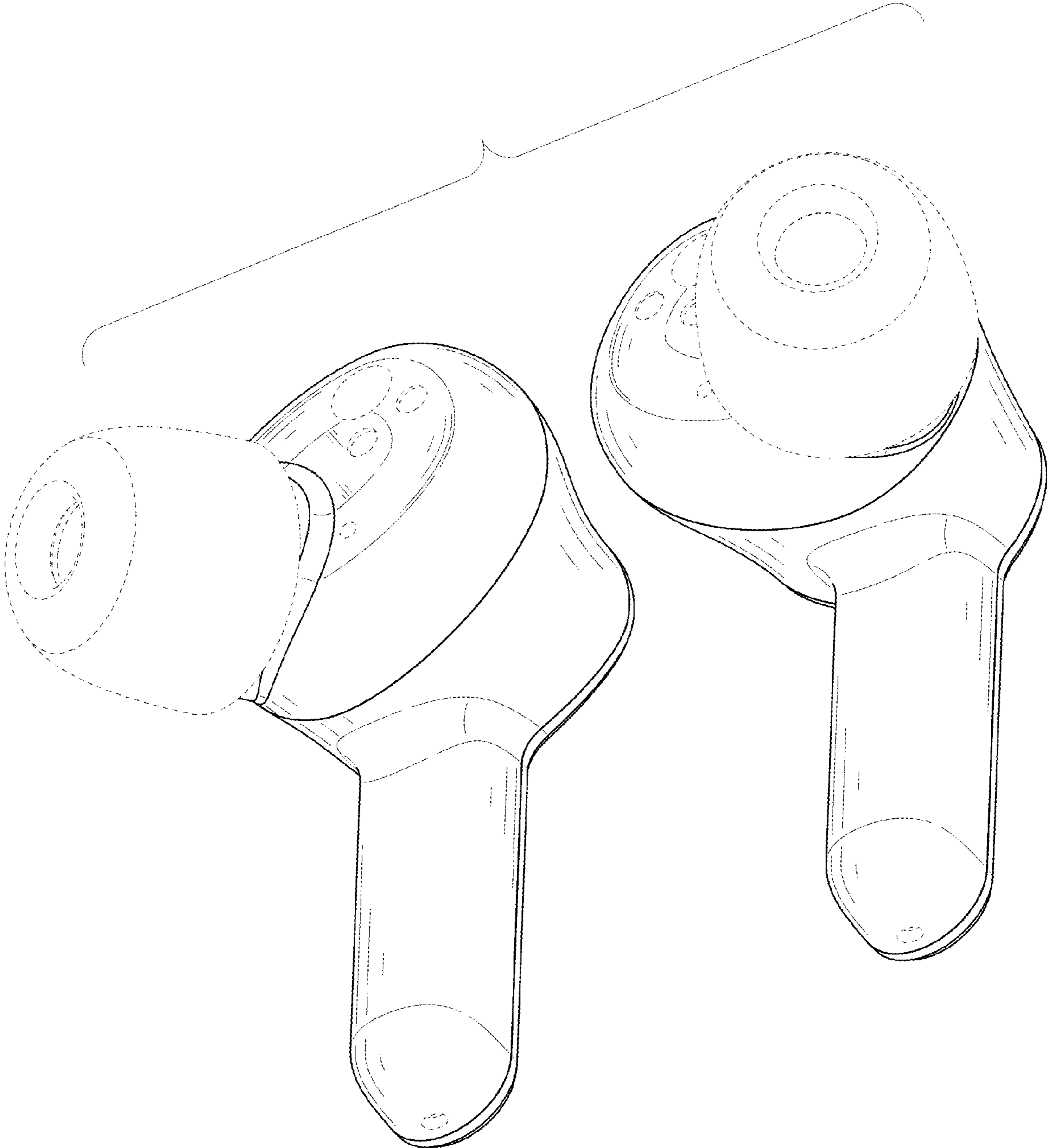


FIG. 2

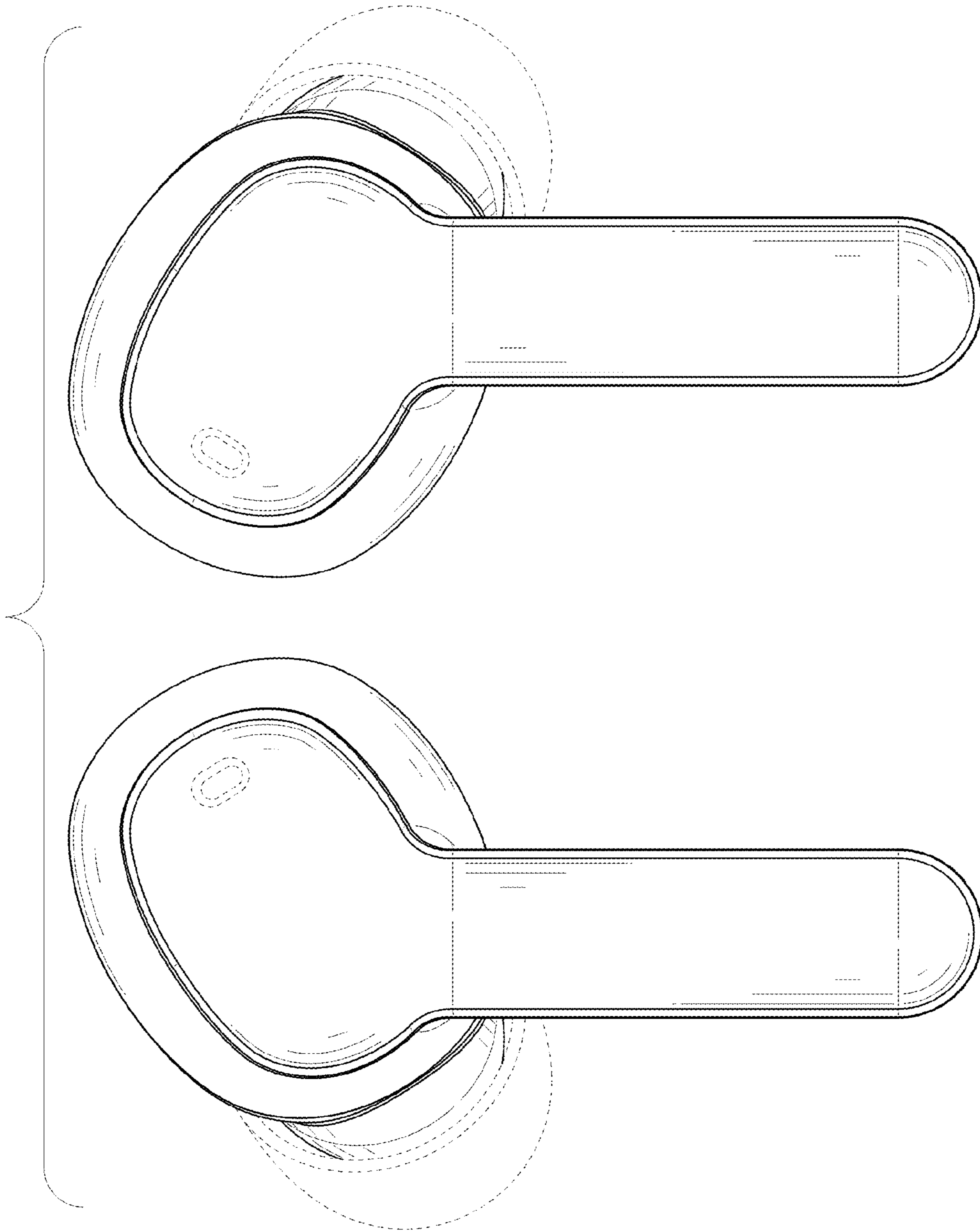


FIG. 3

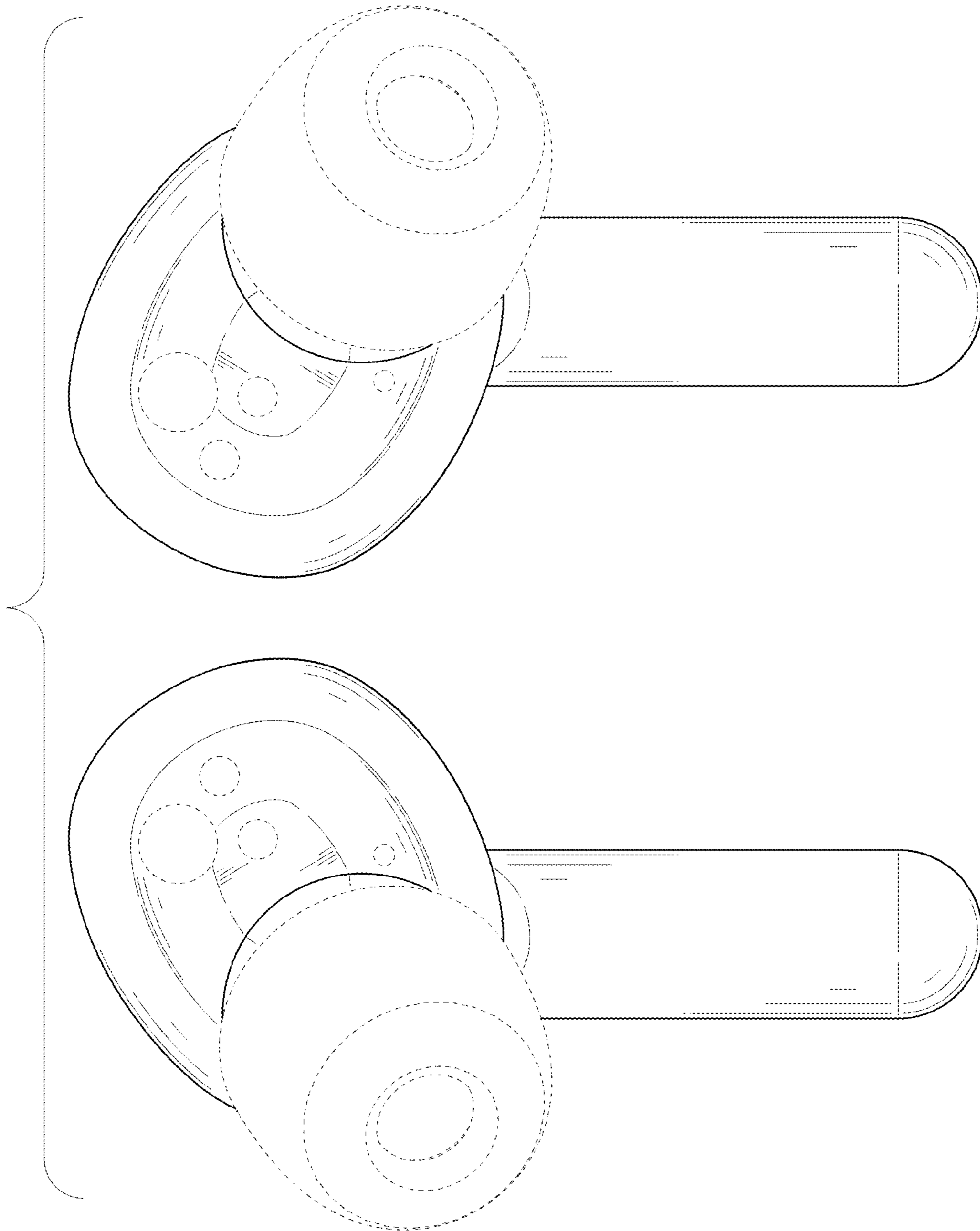


FIG. 4

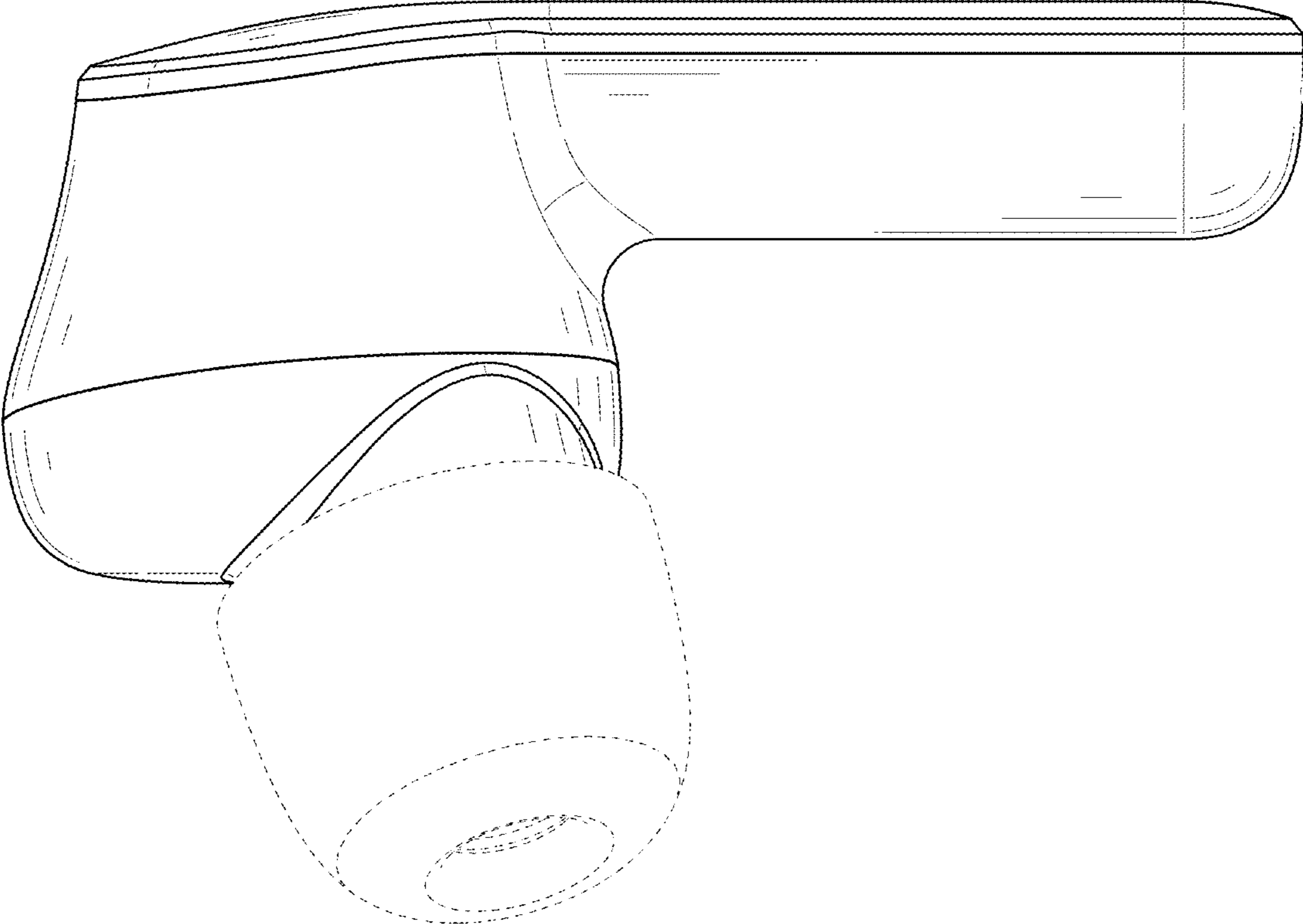


FIG. 5

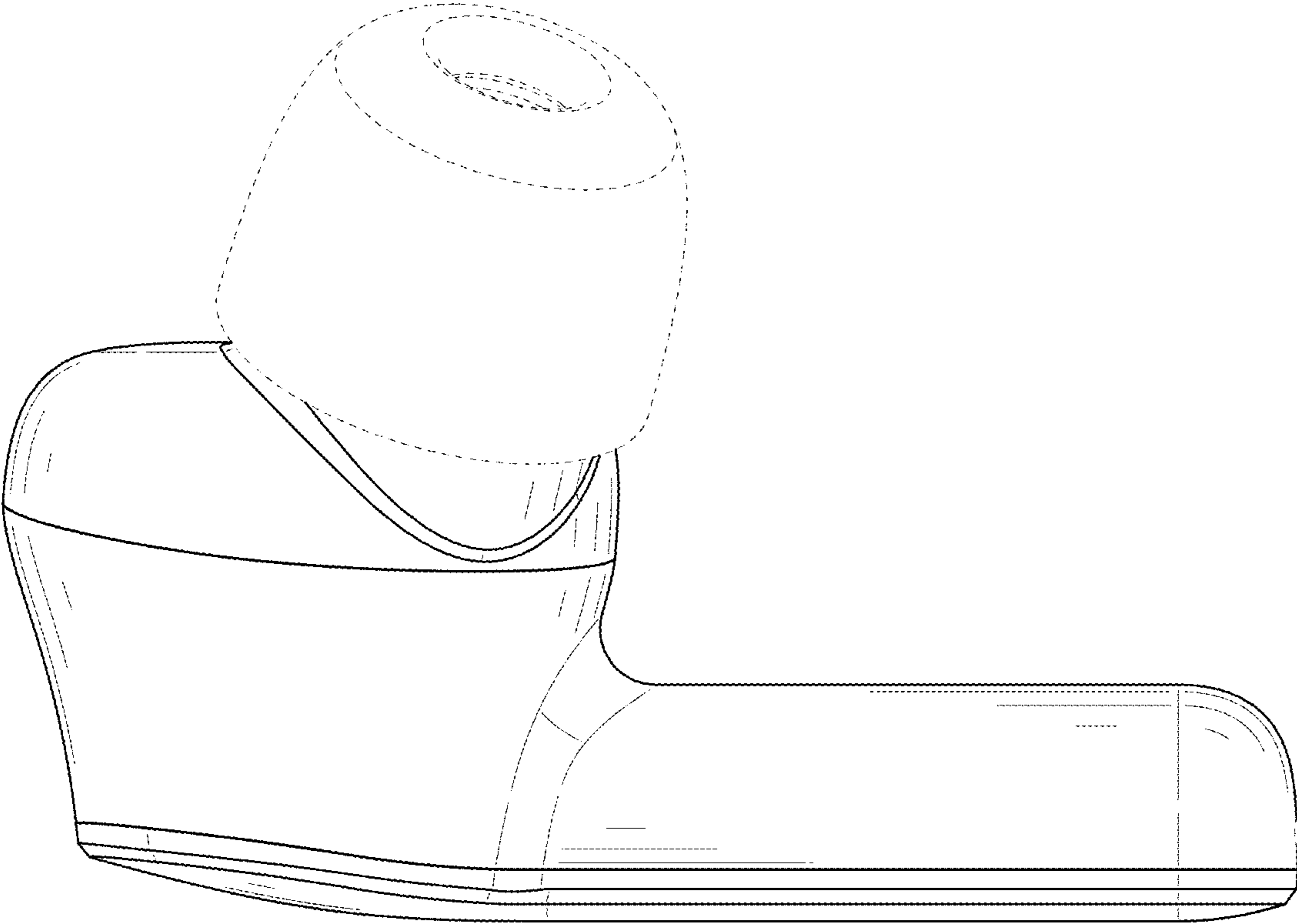


FIG. 6

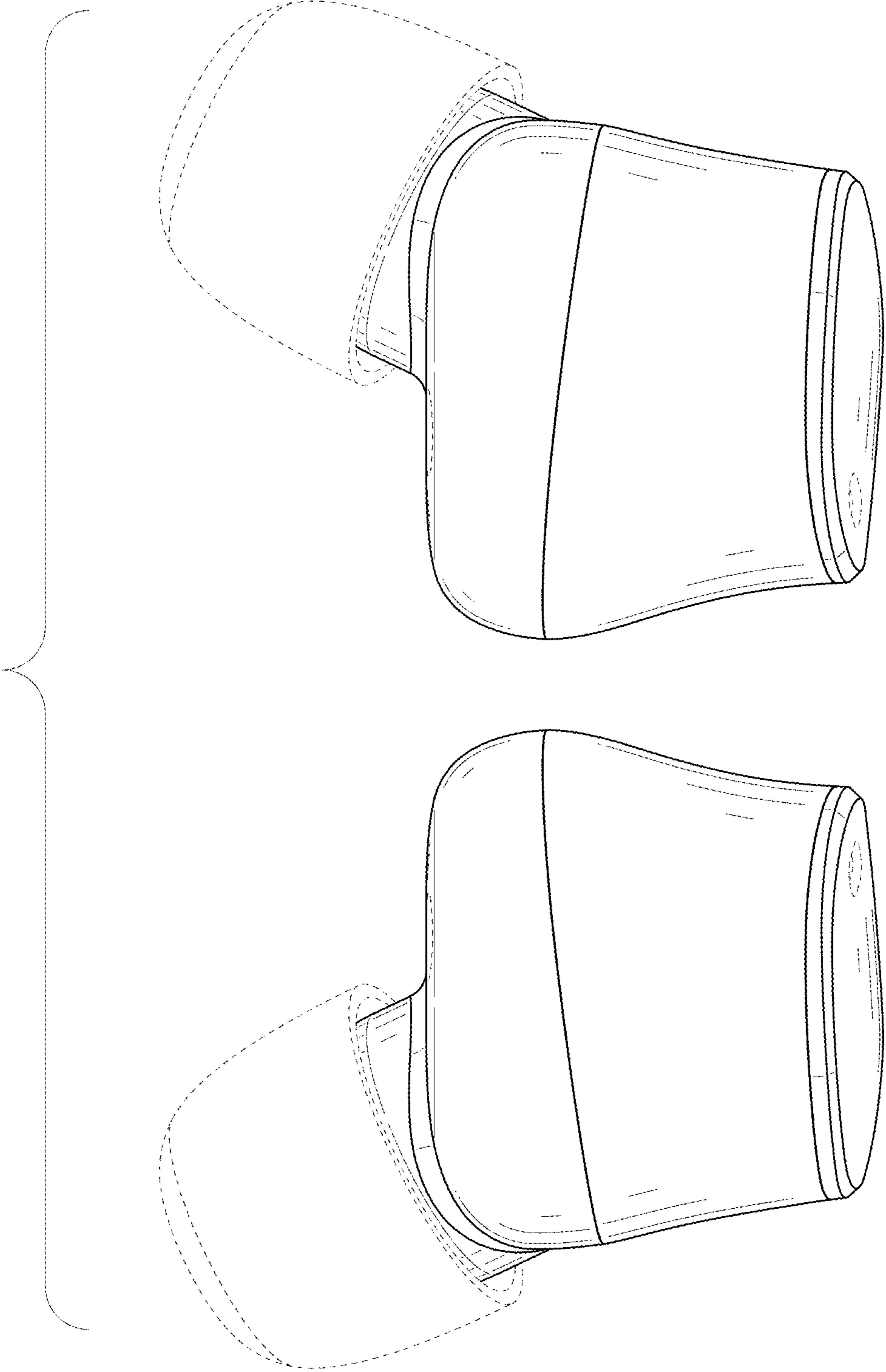


FIG. 7

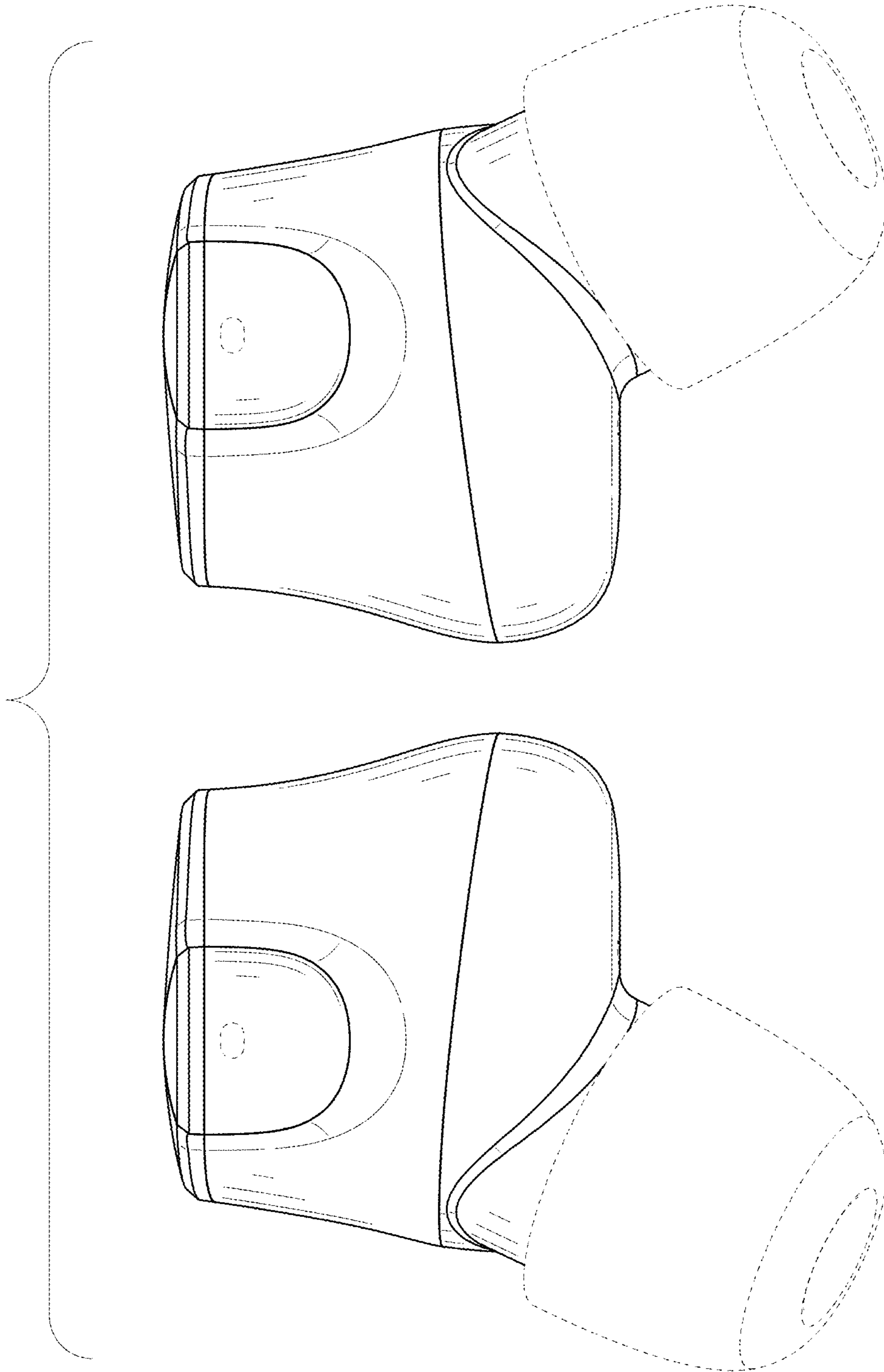


FIG. 8