



US00D971882S

(12) **United States Design Patent**
Meng

(10) **Patent No.:** **US D971,882 S**

(45) **Date of Patent:** **** *Dec. 6, 2022**

(54) **VIRTUAL REALITY HEADSET PROTECTOR**

(71) Applicant: **Dongguan Linqi Electronic Technology Co., Ltd., Dongguan (CN)**

(72) Inventor: **Kunsheng Meng, Dongguan (CN)**

(*) Notice: This patent is subject to a terminal disclaimer.

(**) Term: **15 Years**

(21) Appl. No.: **29/751,502**

(22) Filed: **Sep. 22, 2020**

(51) **LOC (13) Cl.** **14-03**

(52) **U.S. Cl.**
USPC **D14/217**

(58) **Field of Classification Search**
USPC D14/144, 217, 341, 344, 358, 205, 223,
D14/372; D29/100, 105, 106, 108, 112,
D29/122
CPC G02B 2027/0178; G02B 2027/0187; G02B
27/01; G02B 27/0176
See application file for complete search history.

(56) **References Cited**

U.S. PATENT DOCUMENTS

4,037,273	A *	7/1977	Labaire	A61F 11/14
				2/209
6,678,897	B2 *	1/2004	Lindgren	A61F 11/14
				181/129
7,171,698	B2 *	2/2007	Saffran	A61F 11/14
				2/209
D613,459	S	4/2010	Bywater	
D687,189	S *	7/2013	Fairclough	D29/112
D767,212	S *	9/2016	Tardy	D29/112
D769,537	S *	10/2016	Dexter	D29/112

D777,989	S *	1/2017	Gerspach	D29/112
D814,457	S *	4/2018	Willis	D14/344
D857,694	S *	8/2019	Natsume	D14/372
D862,467	S *	10/2019	Chen	D14/372
D885,384	S *	5/2020	Conlee, IV	D14/372
D889,464	S *	7/2020	Wang	D14/372
D896,221	S *	9/2020	Lee	D14/372
D920,974	S *	6/2021	Chi	D14/372

OTHER PUBLICATIONS

Amazon for Sale Page: https://www.amazon.com/Cover-Oculus-Headset-Scratch-Protector/dp/B089261315/ref=sr_1_9?dchild=1&keywords=VR+HEADSET+PROTECTOR&qid=1600784664&sr=8-9 Dated Sep. 22, 2020.

* cited by examiner

Primary Examiner — Khawaja Anwar

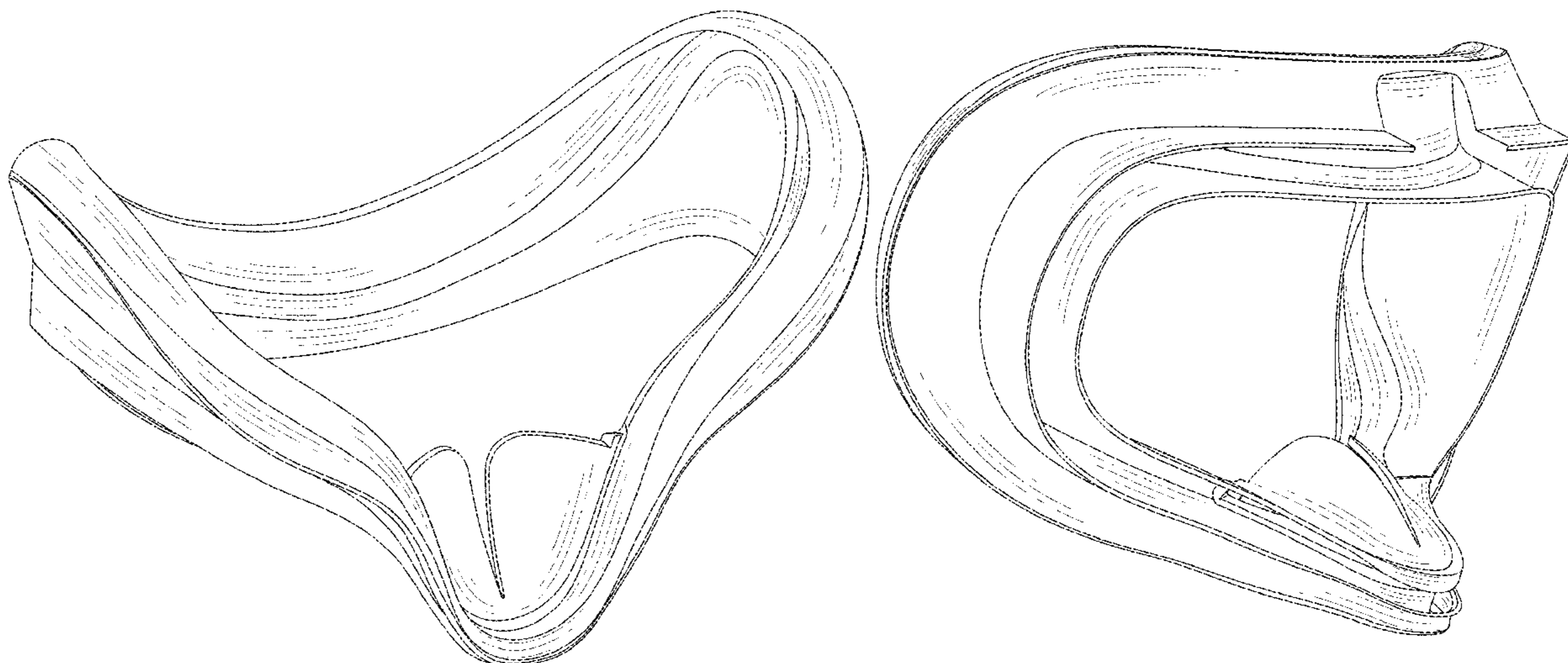
(57) **CLAIM**

The ornamental design for a virtual reality headset protector, as shown and described.

DESCRIPTION

FIG. 1 is a perspective view of a virtual reality headset protector showing my new design; FIG. 2 is another perspective view thereof; FIG. 3 is a front view thereof; FIG. 4 is a rear view thereof; FIG. 5 is a left side view thereof; FIG. 6 is a right side view thereof; FIG. 7 is a top plan view thereof; and, FIG. 8 is a bottom plan view thereof.

1 Claim, 8 Drawing Sheets



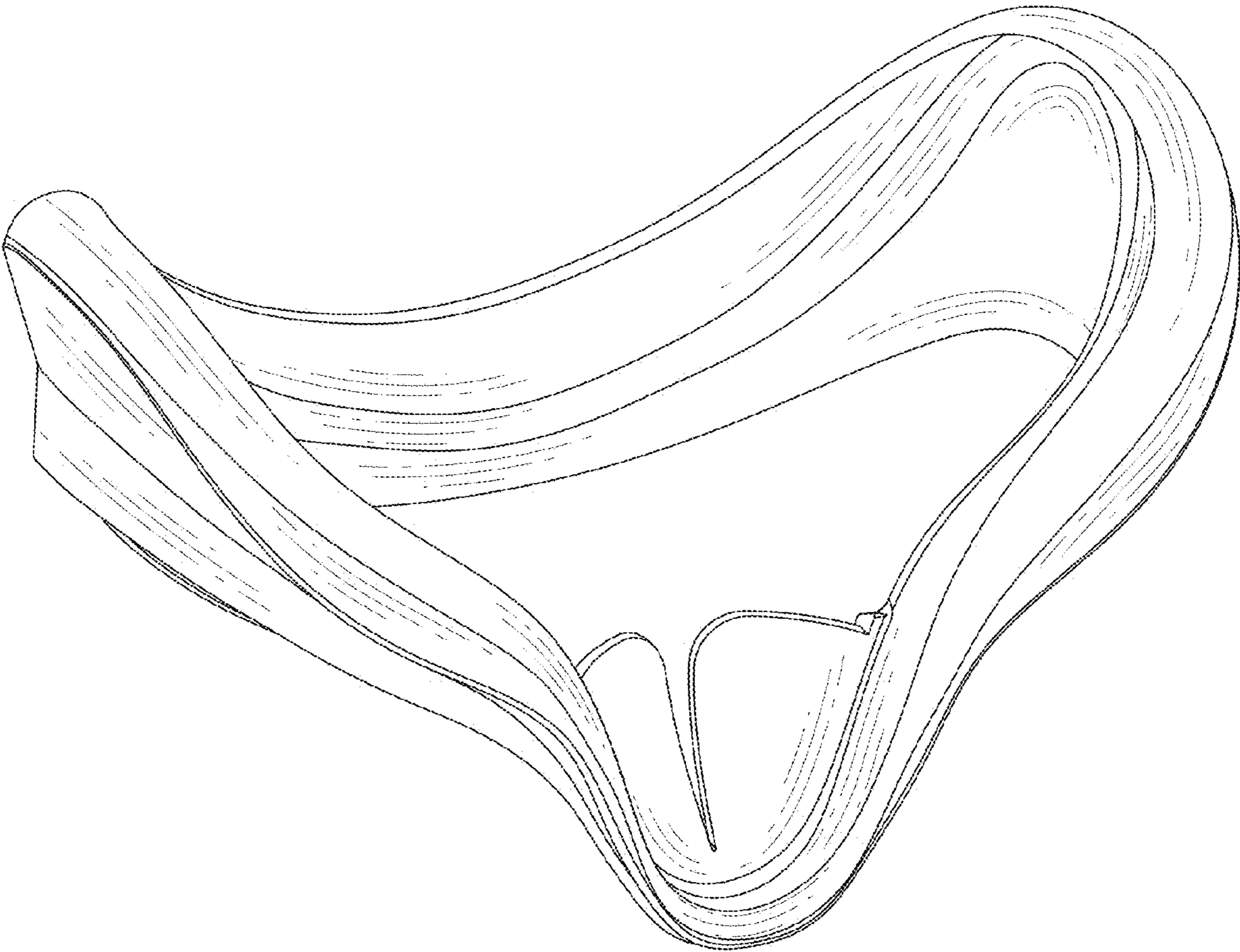


FIG.1

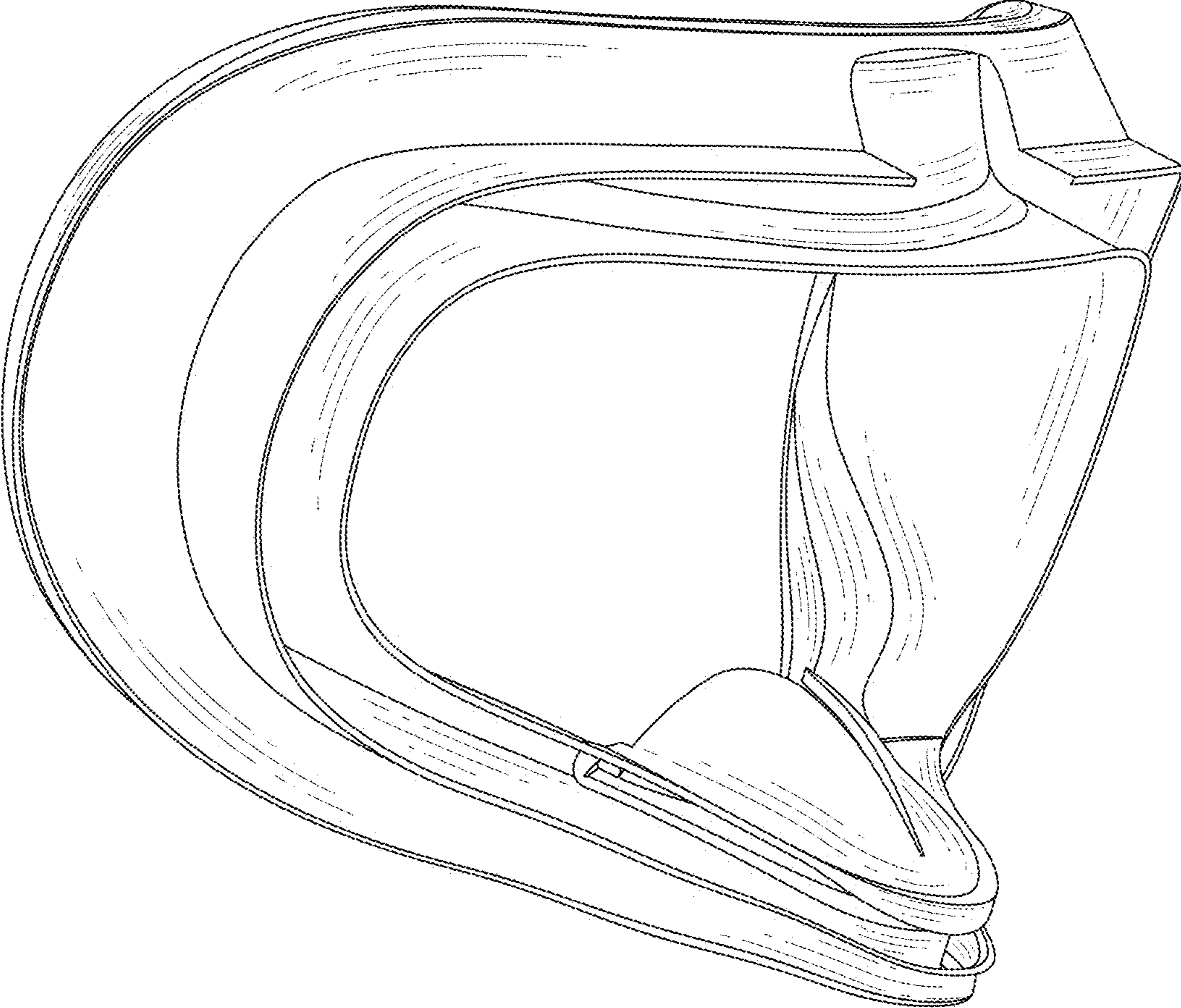


FIG.2

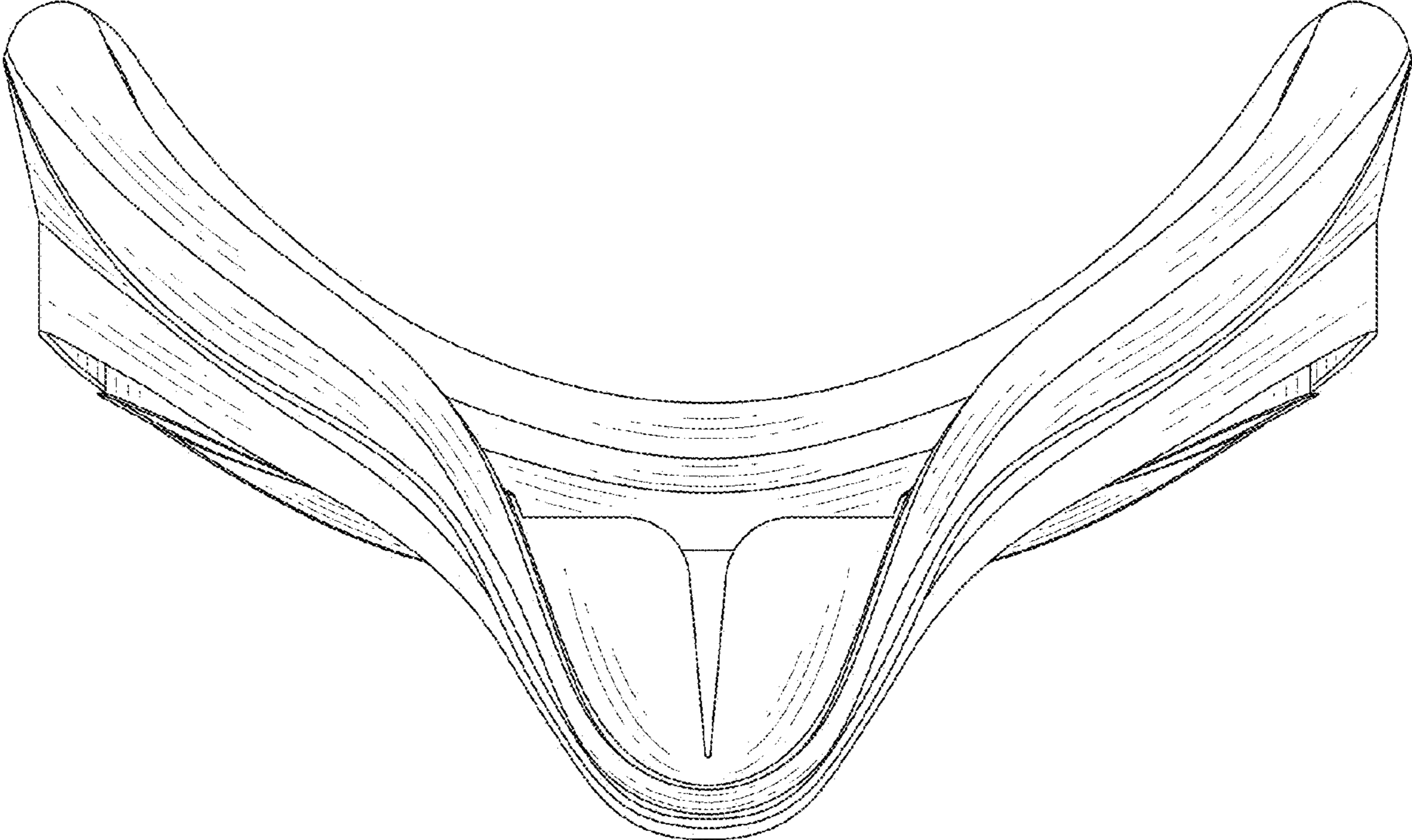


FIG.3

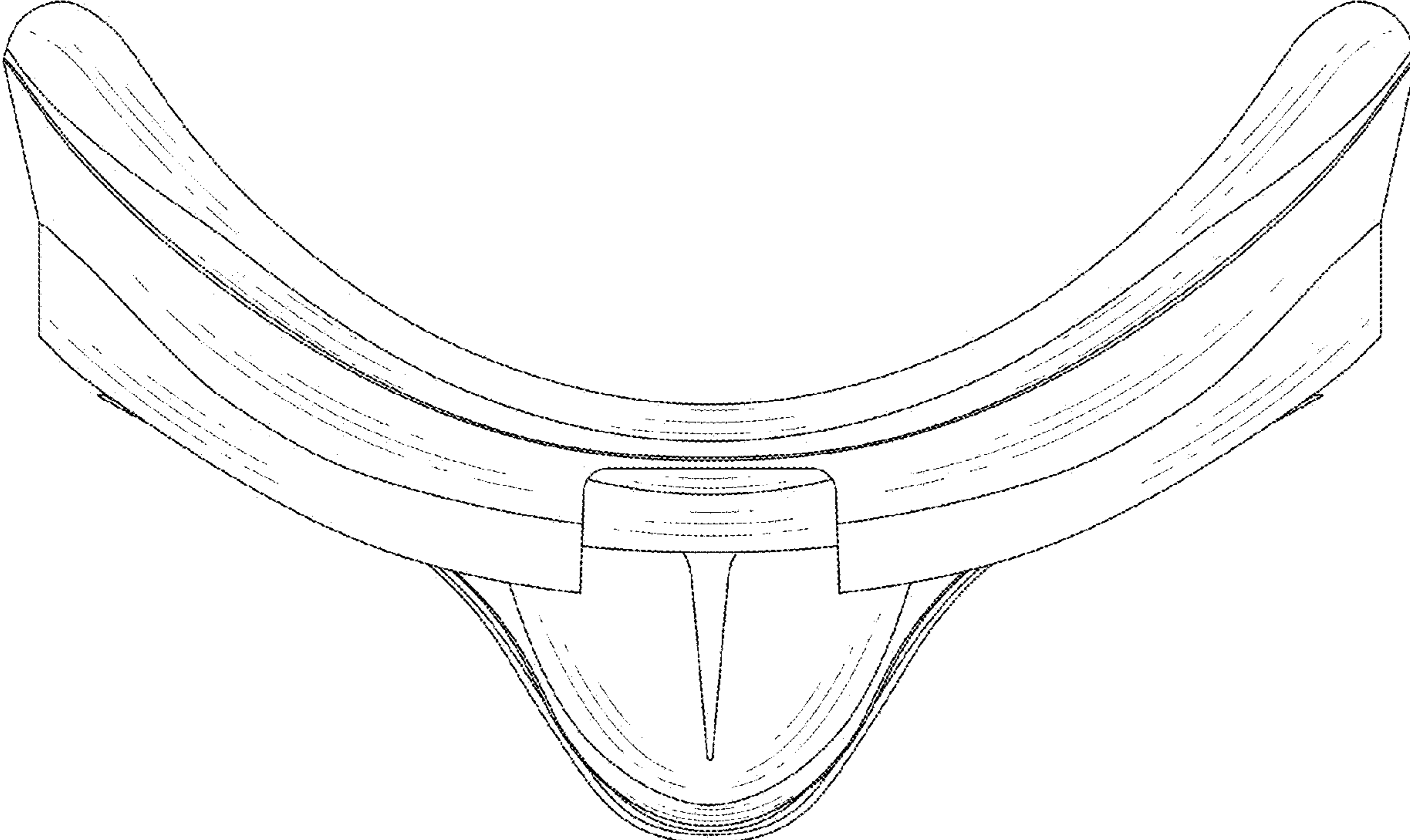


FIG.4

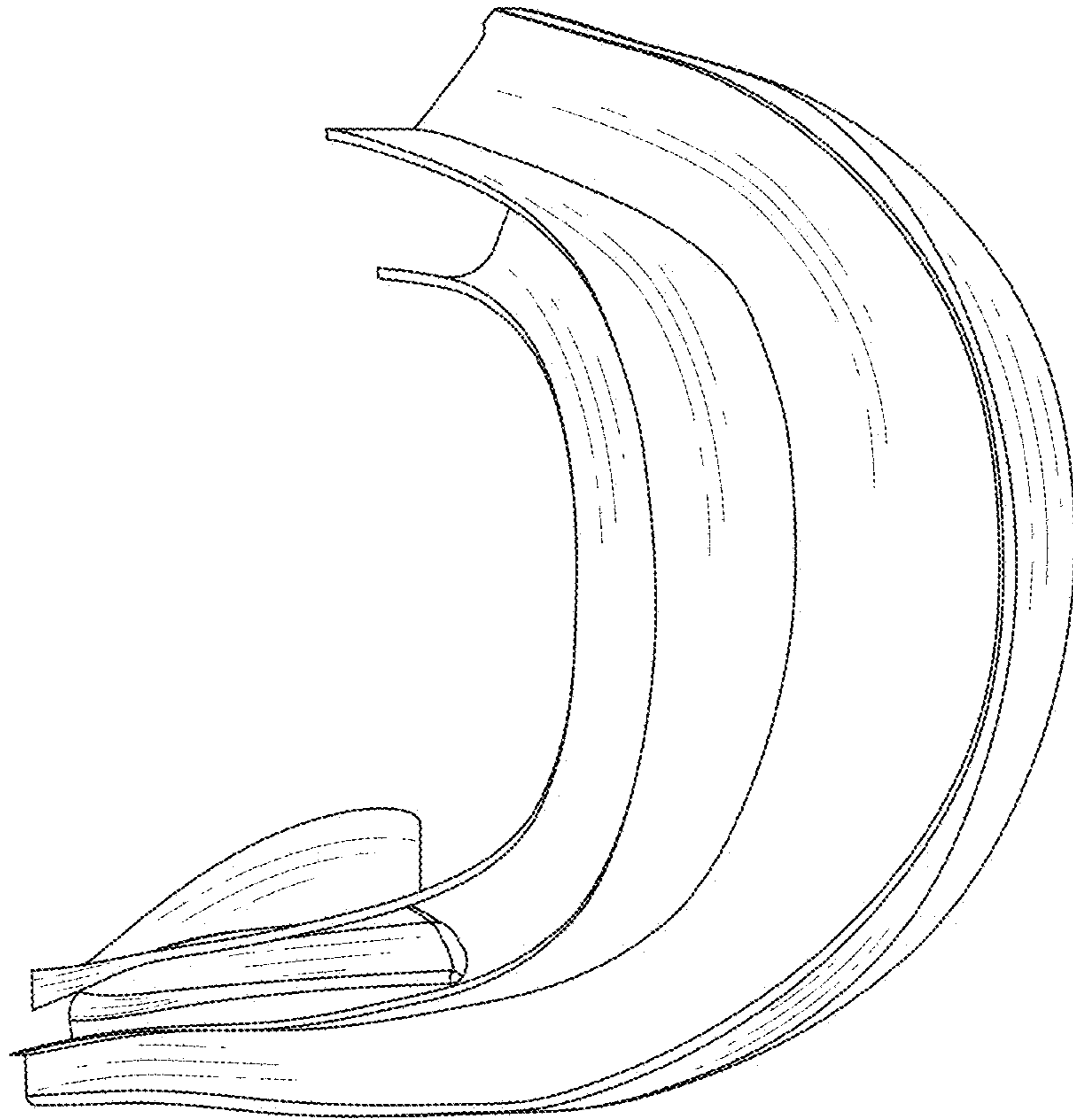


FIG.5

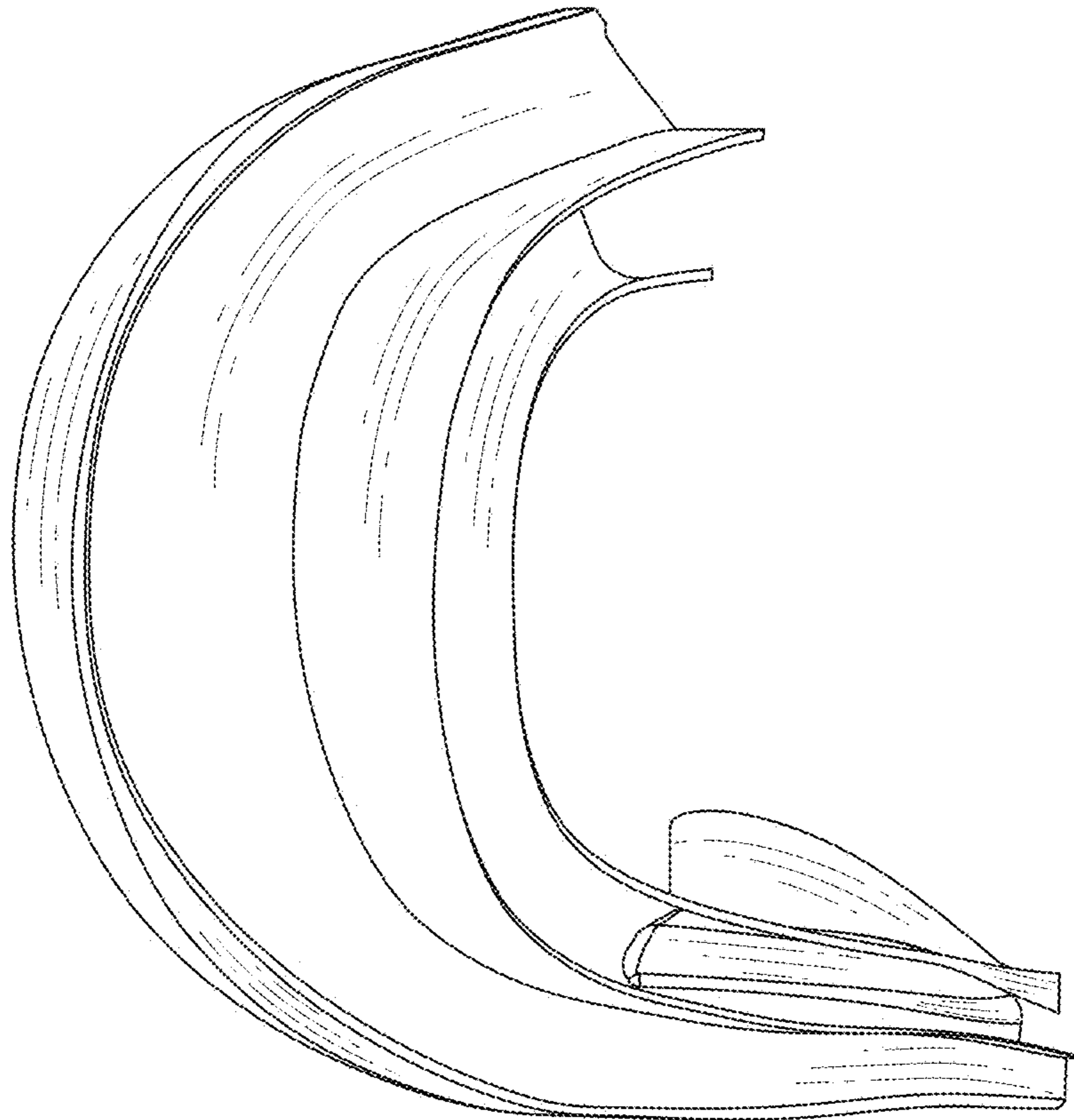


FIG.6

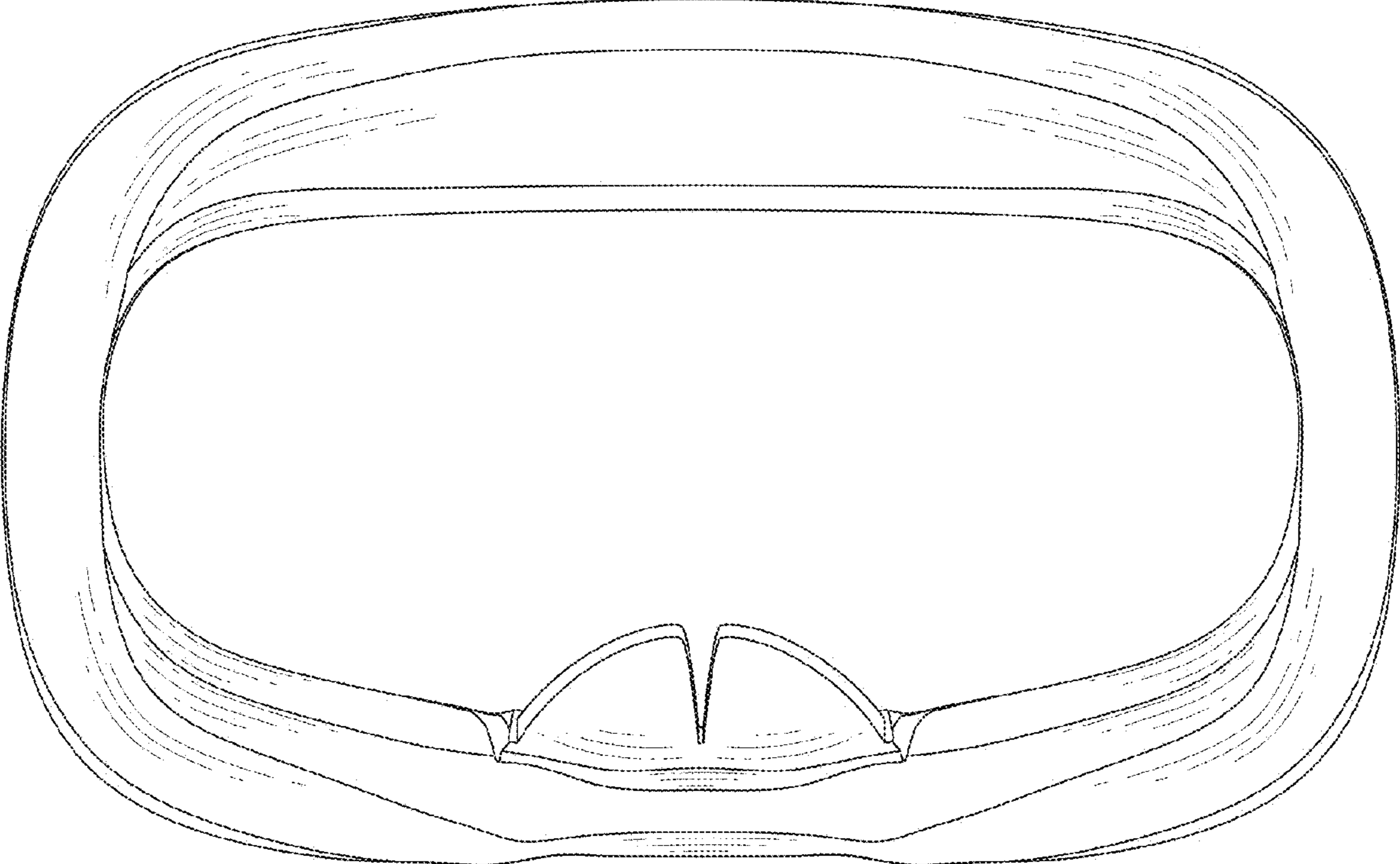


FIG.7

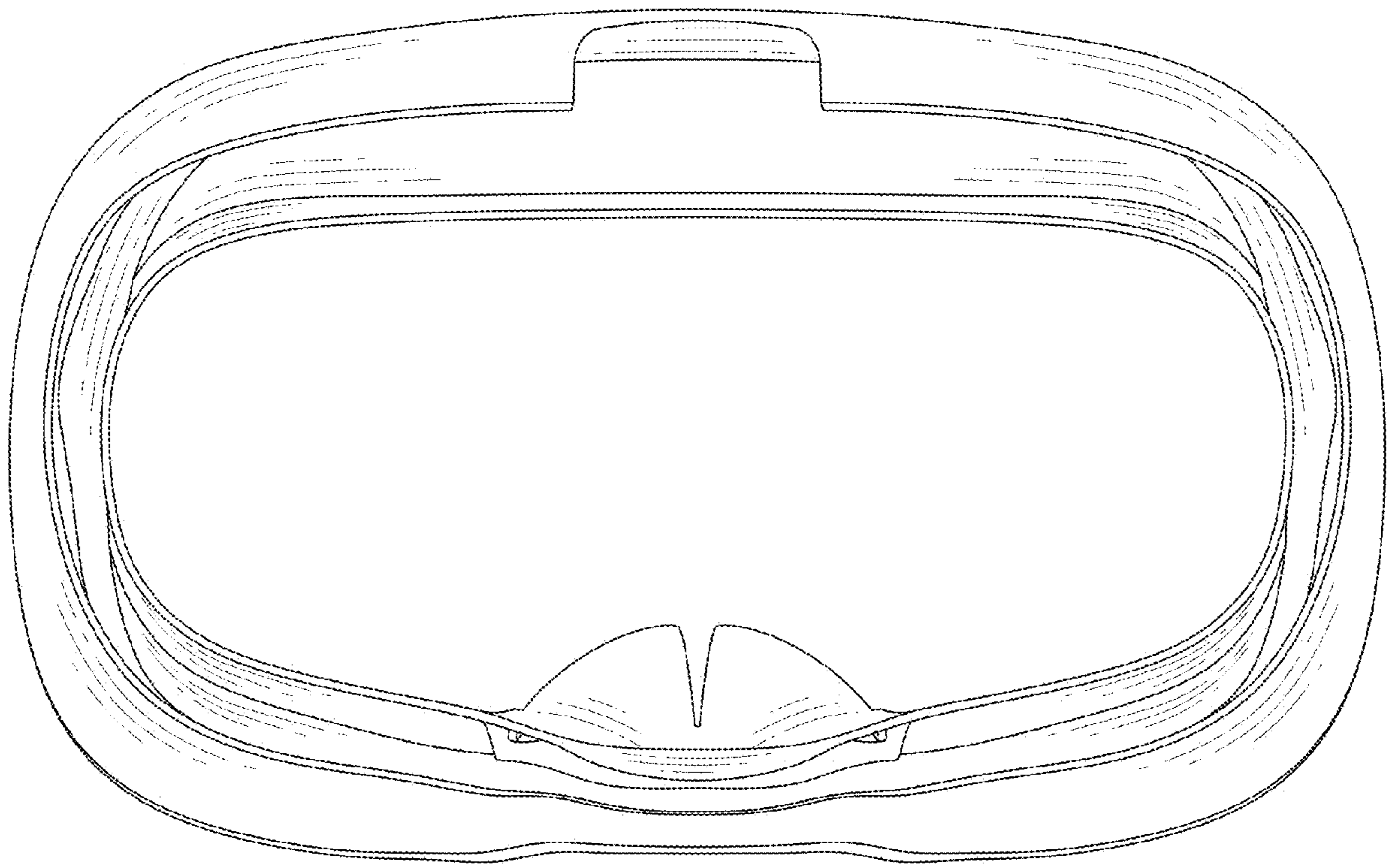


FIG.8