



US00D971879S

(12) **United States Design Patent** (10) **Patent No.:** **US D971,879 S**
Sretovic (45) **Date of Patent:** **** Dec. 6, 2022**

(54) **LOUDSPEAKER**
(71) Applicant: **Harman International Industries, Incorporated**, Northridge, CA (US)
(72) Inventor: **Nikola Sretovic**, Shenzhen (CN)
(73) Assignee: **Harman International Industries, Incorporated**, Northridge, CA (US)
(**) Term: **15 Years**
(21) Appl. No.: **29/718,347**
(22) Filed: **Dec. 23, 2019**
(51) **LOC (13) Cl.** **14-01**
(52) **U.S. Cl.**
USPC **D14/216**
(58) **Field of Classification Search**
USPC D14/167, 168, 170–172, 188, 194–197, D14/203.1–203.8, 204, 209.1, 210–216, D14/219, 221, 222, 224, 239, 496
CPC B60R 11/0217; G06F 1/1688; G10K 9/22; G10K 11/004; H03F 1/327; H04M 1/03; H04M 1/035; H04N 5/642; H04N 21/4852; H04R 1/02; H04R 1/06; H04R 1/021; H04R 1/025; H04R 1/026; H04R 1/028; H04R 1/105; H04R 1/323; H04R 1/403; H04R 1/2803; H04R 1/2834; H04R 5/02; H04R 7/20; H04R 9/06; H04R 9/025; H04R 2201/021; H04R 2400/00; H04R 2400/07; H04R 2499/11; H04R 2499/13; H04R 2499/15; H04S 3/00; H04S 7/30
See application file for complete search history.

D536,665 S 2/2007 Solland
D557,208 S 12/2007 Solland
D712,378 S 9/2014 Mackiewicz et al.
D714,787 S * 10/2014 Matsuoka D14/426
D718,280 S 11/2014 Yoon
D736,181 S 8/2015 Mackiewicz et al.
D752,024 S 3/2016 Kachwalla
D765,617 S 9/2016 Mackiewicz et al.
D766,215 S 9/2016 Mackiewicz et al.
D797,575 S * 9/2017 Lai D10/22
D797,704 S 9/2017 Fischer et al.
D801,305 S 10/2017 Vaclavik et al.
D801,306 S 10/2017 Czaniecki et al.
D812,559 S * 3/2018 Xu D13/107
D820,807 S 6/2018 Vaclavik et al.
D842,841 S 3/2019 Demin
(Continued)

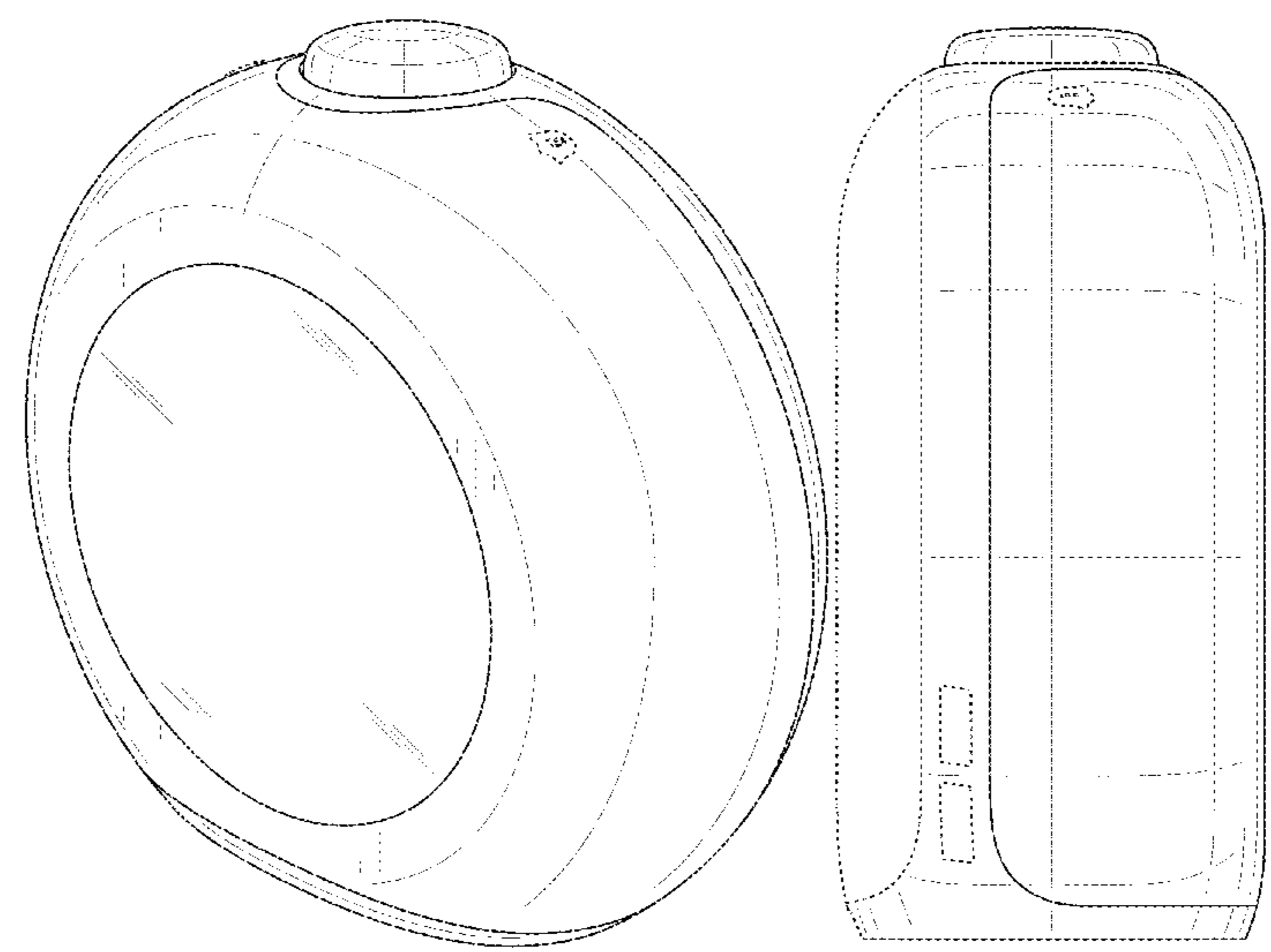
(56) **References Cited**
U.S. PATENT DOCUMENTS
D391,944 S * 3/1998 Han D14/356
D430,546 S * 9/2000 Gibson D10/104.1
D482,653 S * 11/2003 Cho D13/110
D509,183 S 9/2005 Solland et al.

OTHER PUBLICATIONS
Design U.S. Appl. No. 29/675,376, filed Aug. 31, 2018.
(Continued)
Primary Examiner — Keli L Hill
(74) *Attorney, Agent, or Firm* — Plumsea Law Group, LLC

(57) **CLAIM**
The ornamental design for a loudspeaker, as shown and described.

DESCRIPTION
FIG. 1 is a front perspective view of a loudspeaker showing the new design;
FIG. 2 is a front elevational view thereof;
FIG. 3 is a rear elevational view thereof;
FIG. 4 is a side elevational view thereof;
FIG. 5 is an opposite side elevational view thereof;
FIG. 6 is a top view thereof; and,
FIG. 7 is a bottom view thereof.
The broken lines illustrate portions of the loudspeaker that form no part of the claimed design.

1 Claim, 7 Drawing Sheets



(56)

References Cited

U.S. PATENT DOCUMENTS

D860,167 S * 9/2019 Zhu D14/216
D862,416 S 10/2019 Czaniecki et al.
D862,418 S 10/2019 Distefano
D869,428 S 12/2019 Vaclavik et al.
D877,113 S 3/2020 Jin
D944,657 S * 3/2022 Dong D14/171
D947,808 S * 4/2022 Luo D24/231

OTHER PUBLICATIONS

Design U.S. Appl. No. 29/704,358, filed Sep. 4, 2019.
Design U.S. Appl. No. 29/704,391, filed Sep. 4, 2019.
Design U.S. Appl. No. 29/719,153, filed Dec. 31, 2019.
Harman Kardon Onyx Studio Owner's Manual, 2013.
Harman Kardon Onyx Studio 2 Specification Sheet, 2015.

* cited by examiner

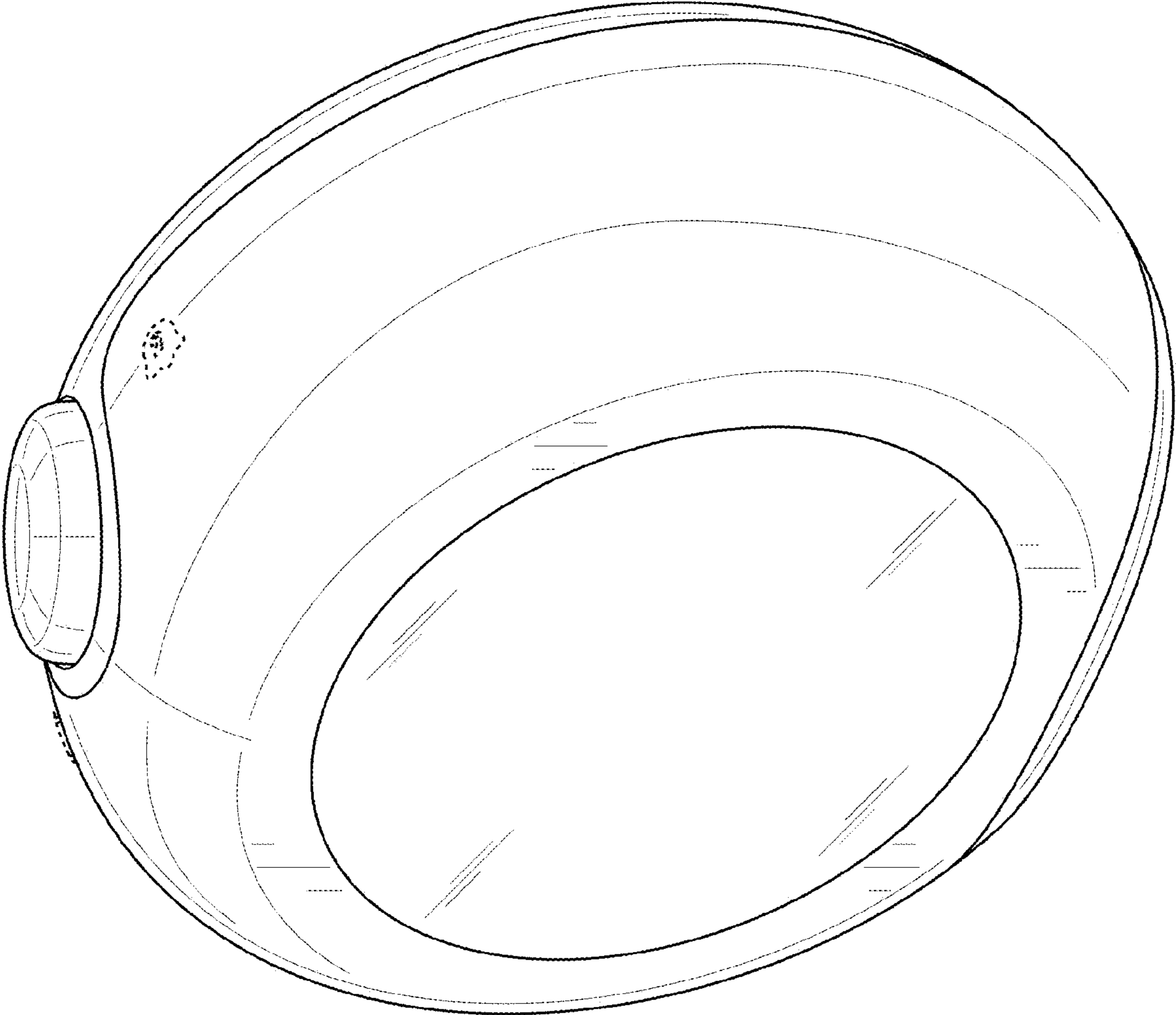


FIG. 1

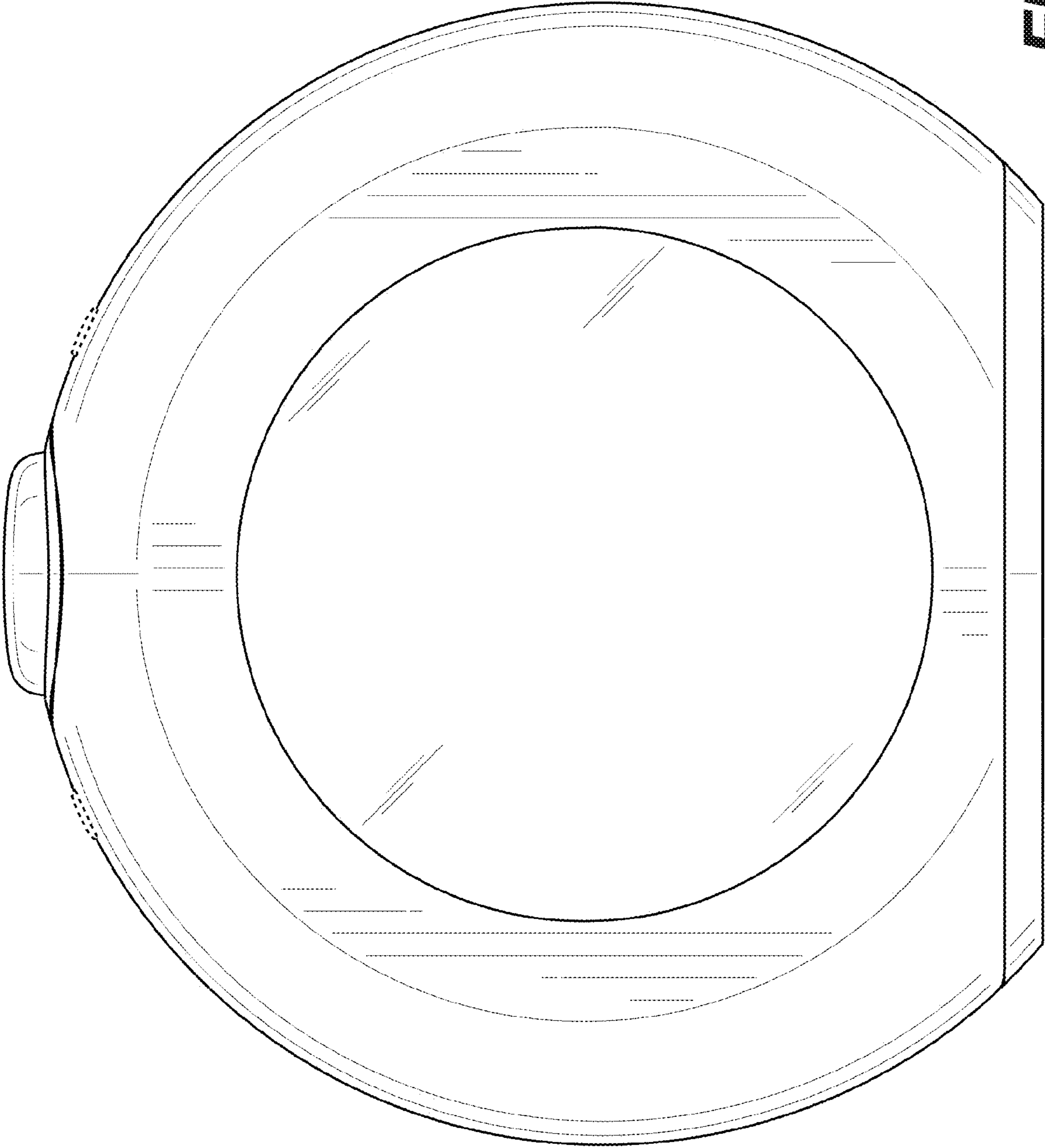


FIG. 2

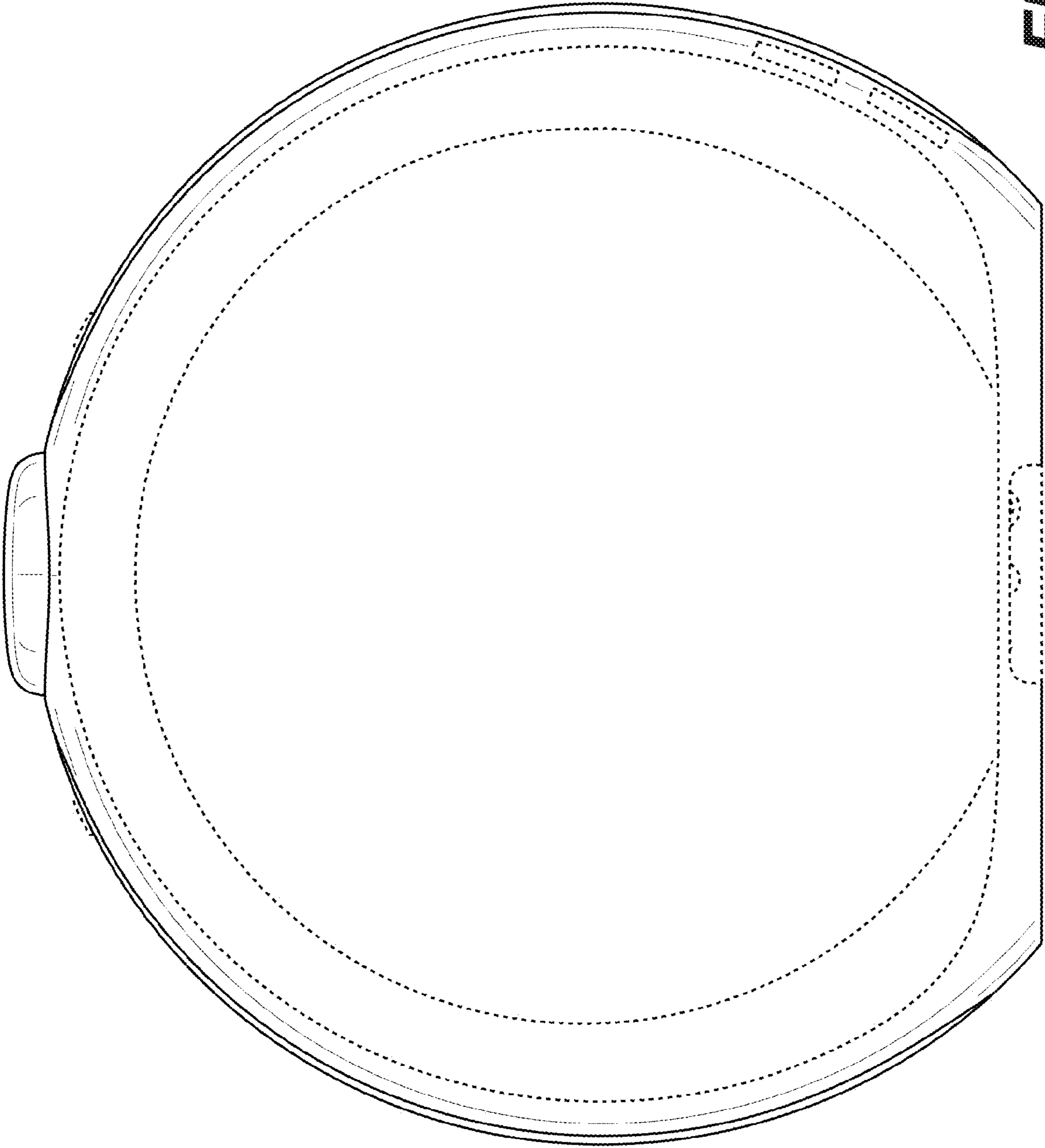


FIG. 3

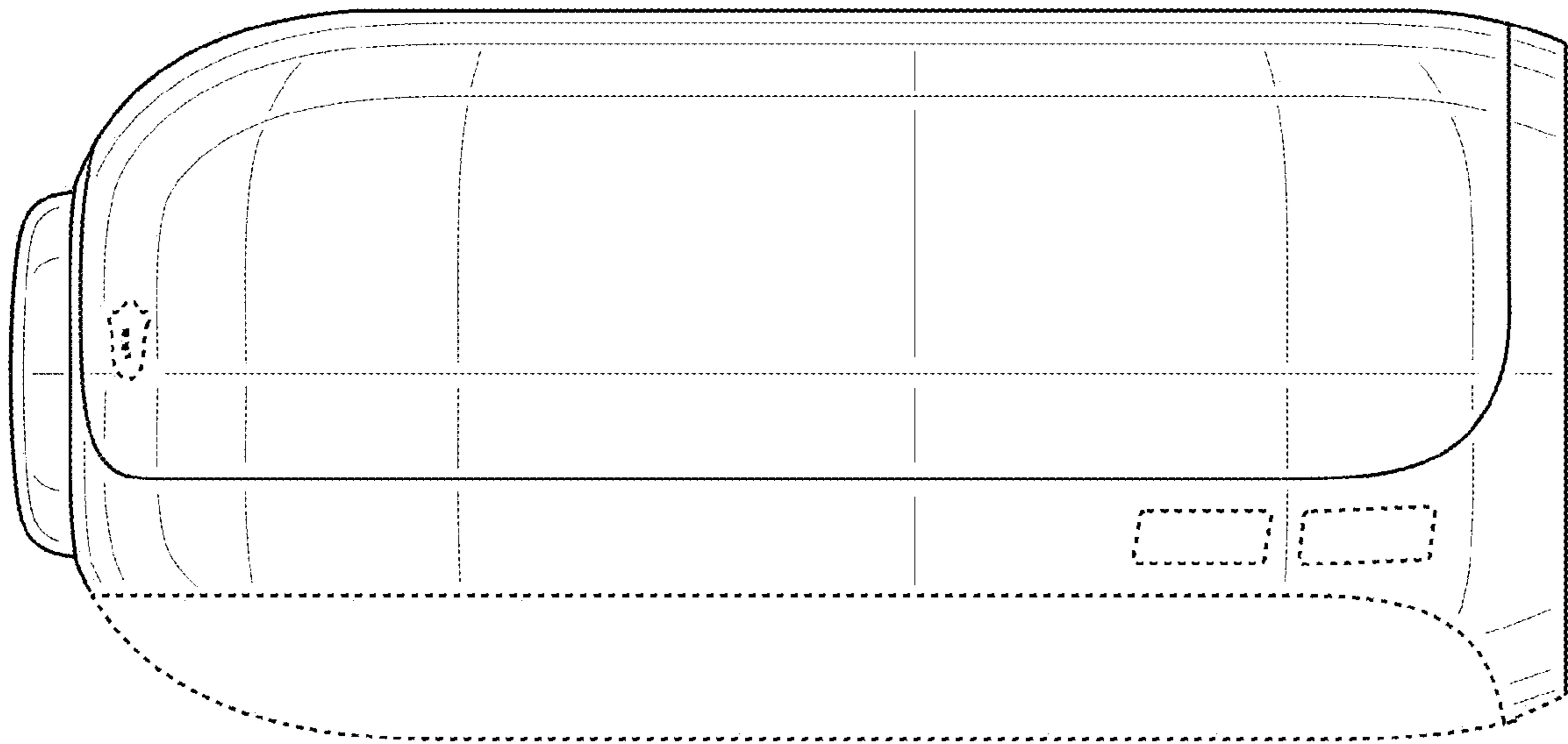


FIG. 4

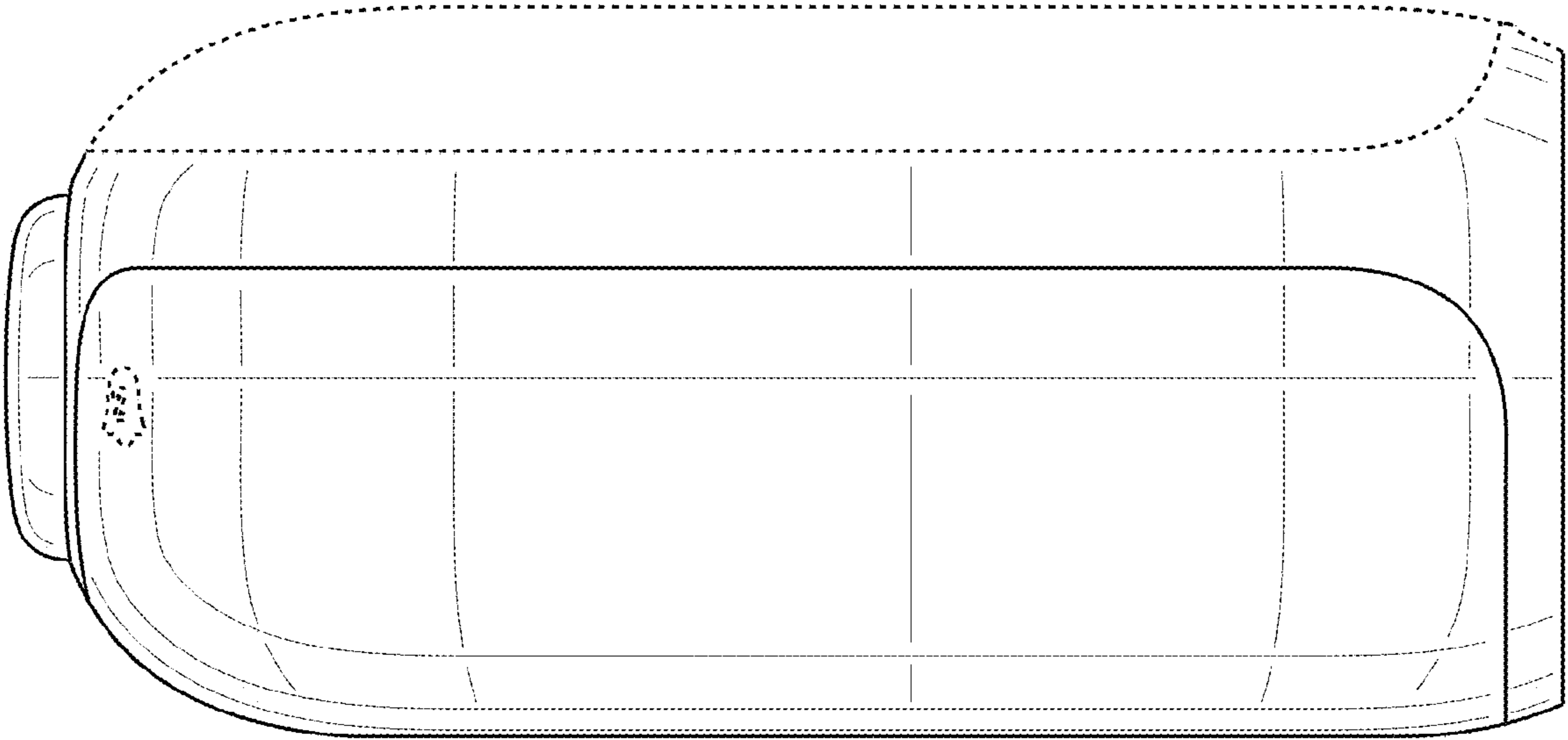


FIG. 5

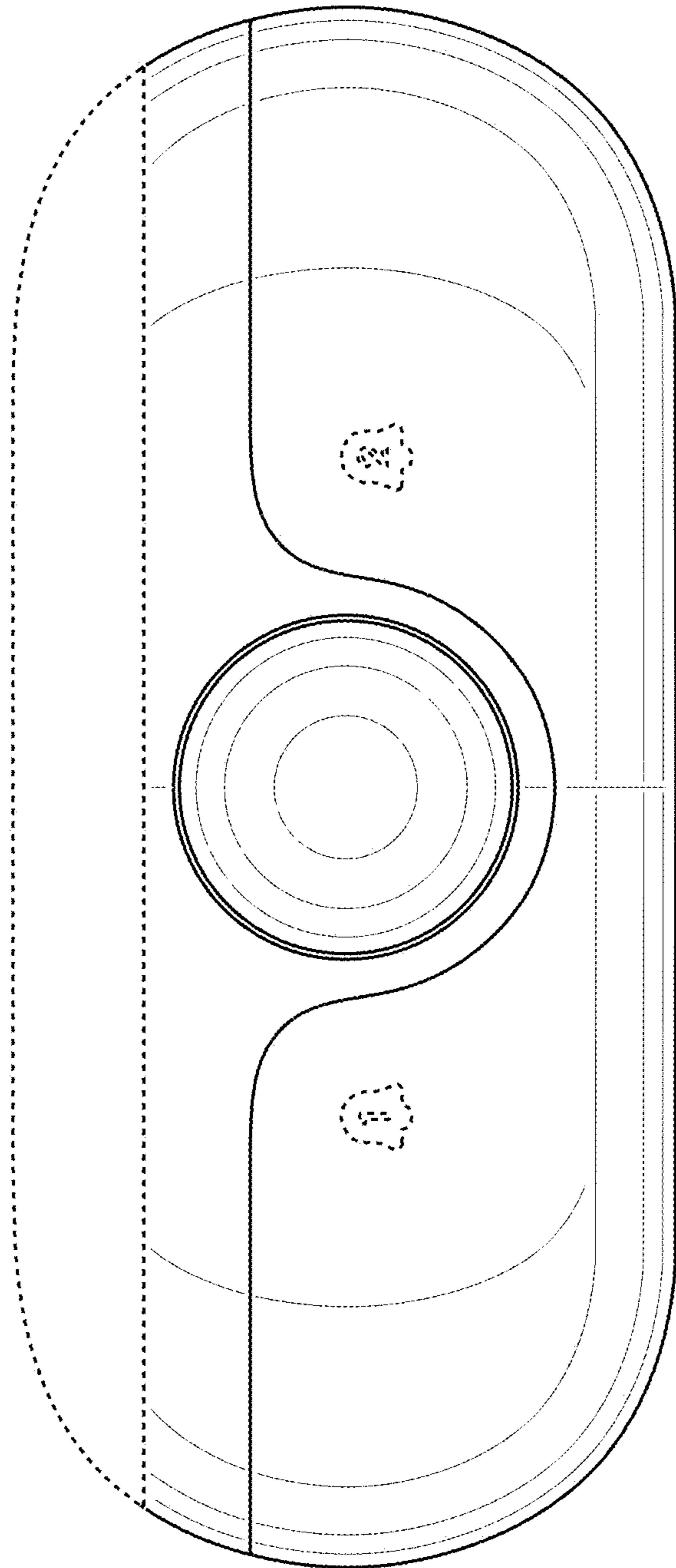


FIG. 6

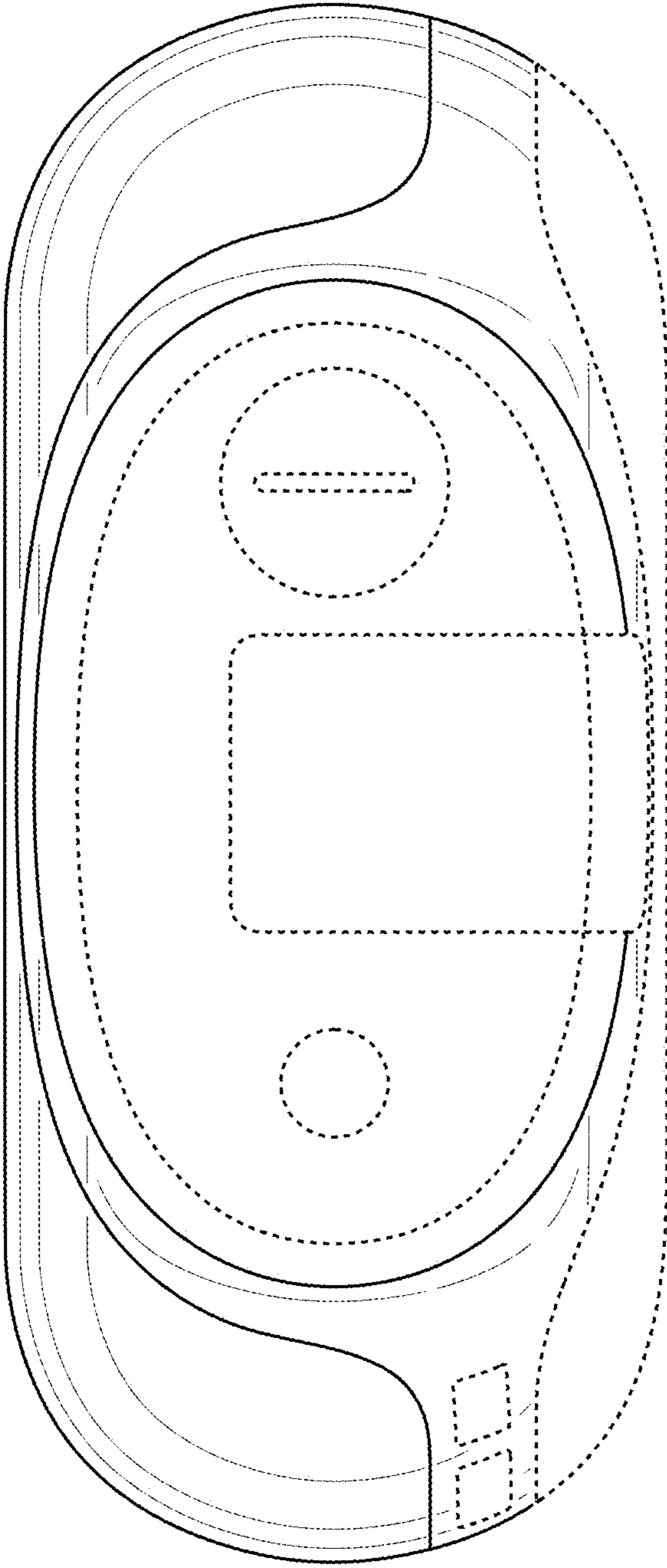


FIG. 7