



US00D971878S

(12) **United States Design Patent** (10) **Patent No.:** **US D971,878 S**  
**Yang** (45) **Date of Patent:** **\*\* Dec. 6, 2022**

- (54) **SPEAKER HUMIDIFIER** 4,620,317 A \* 10/1986 Anderson ..... H04R 1/345  
381/160
- (71) Applicants: **Baiqian Zuo**, Lushan (CN); **Yiwu Xianwu Arts And Crafts Co., Ltd.**, Yiwu (CN) D362,442 S \* 9/1995 Goldfarb ..... D14/215  
D426,772 S \* 6/2000 Kahl ..... D9/449  
D443,262 S \* 6/2001 Caren ..... D14/224  
D459,459 S \* 6/2002 Yamada ..... D23/366  
D483,741 S \* 12/2003 Olson ..... D14/216  
6,782,113 B1 \* 8/2004 Handsaker ..... B63B 45/08  
381/189
- (72) Inventor: **Long Yang**, Zhuzhou (CN) D535,002 S \* 1/2007 Caserta ..... D23/366  
D577,356 S \* 9/2008 Moon ..... D14/215  
D656,486 S \* 3/2012 Parraga Gimeno ..... D14/216  
D727,877 S \* 4/2015 Seoc ..... D14/216  
D729,772 S \* 5/2015 Ferber ..... D14/216
- (73) Assignees: **Baiqian Zuo**, Lushan (CN); **Yiwu Xianwu Arts And Crafts Co., Ltd.**, Yiwu (CN)
- (\*\*) Term: **15 Years** (Continued)

(21) Appl. No.: **29/777,195**

FOREIGN PATENT DOCUMENTS

(22) Filed: **Apr. 3, 2021**

- CN 306218649 \* 12/2020
- GB 6103945 \* 10/2020
- GB 6142923 \* 6/2021

(30) **Foreign Application Priority Data**

*Primary Examiner* — Paula Allen Greene

Dec. 29, 2020 (CN) ..... 202030812498.8

(74) *Attorney, Agent, or Firm* — Jeenam Park

(51) **LOC (13) Cl.** ..... **14-01**

(57) **CLAIM**

(52) **U.S. Cl.**

The ornamental design for a speaker humidifier, as shown and described.

USPC ..... **D14/209.1**

(58) **Field of Classification Search**

**DESCRIPTION**

USPC ..... D14/209.1, 204, 215, 216, 221, 225;  
D23/356, 359, 386, 366; D6/309-310;  
D24/203, 231; 181/141, 145, 153;  
381/303, 338

FIG. 1 is a perspective view of a speaker humidifier showing my new design;  
FIG. 2 is an exploded view thereof;  
FIG. 3 is a front view thereof;  
FIG. 4 is a back view thereof;  
FIG. 5 is a left side view thereof;  
FIG. 6 is a right side view thereof;  
FIG. 7 is a top plan view thereof; and,  
FIG. 8 is a bottom plan view thereof.

CPC . H04R 25/00; H04R 5/02; H04R 1/02; H04R 1/28; F24F 6/14; A61L 9/04; H05K 5/00  
See application file for complete search history.

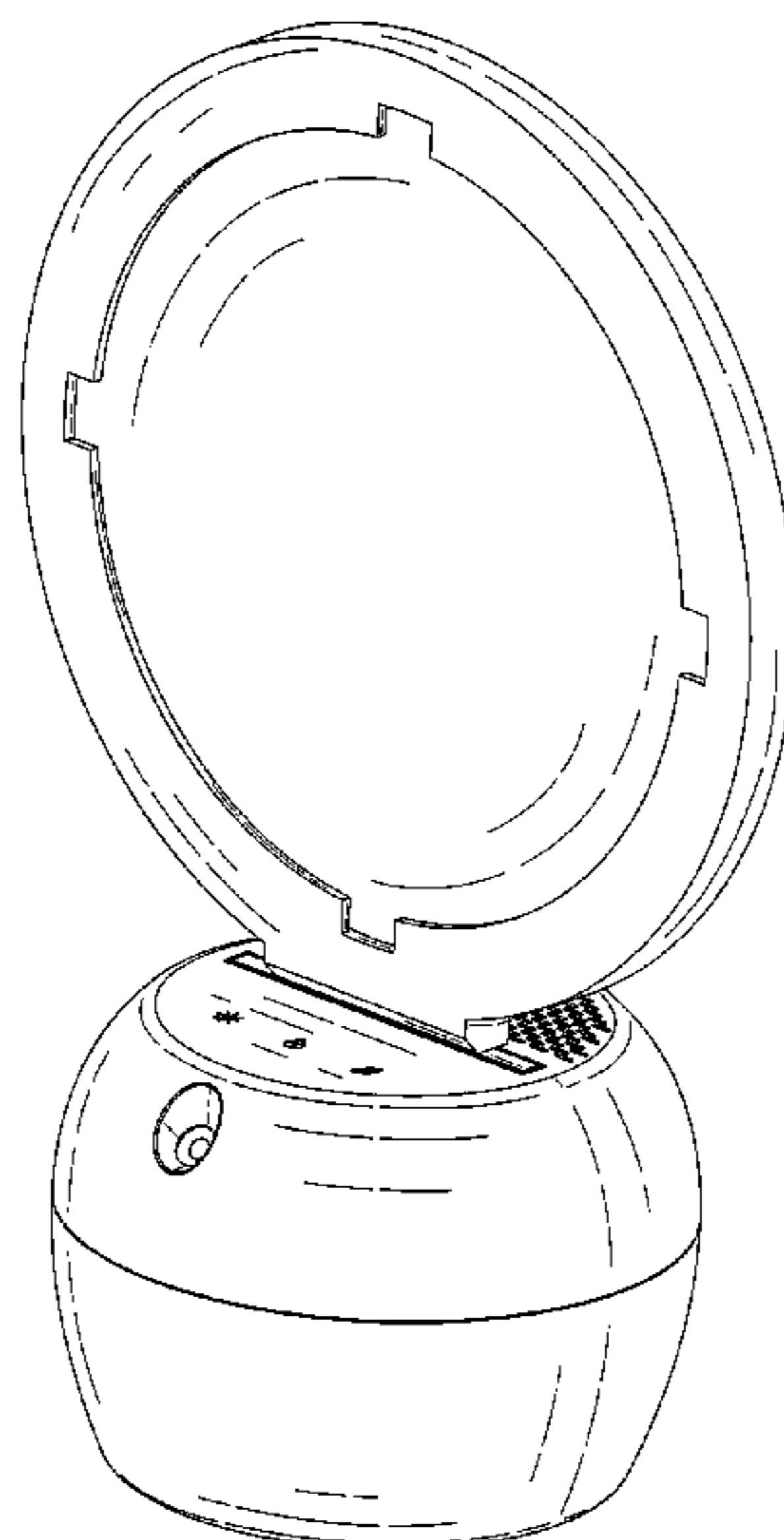
The dashed or broken lines shown in the drawings depict portions of the speaker humidifier in which the design is embodied that form no part of the claimed design.

(56) **References Cited**

U.S. PATENT DOCUMENTS

- 3,547,220 A \* 12/1970 Watson ..... H04R 1/2857  
181/171
- D255,712 S \* 7/1980 Chihara ..... D23/356
- 4,399,080 A \* 8/1983 Swank ..... F24F 6/06  
261/80

**1 Claim, 8 Drawing Sheets**



(56)

## References Cited

## U.S. PATENT DOCUMENTS

D738,118 S \* 9/2015 Gyanendra ..... D23/370  
D738,353 S \* 9/2015 Slaato ..... D14/216  
D742,853 S \* 11/2015 Ugglä ..... D14/209.1  
D768,604 S \* 10/2016 Flowers ..... D13/108  
D781,266 S \* 3/2017 Ahn ..... D14/215  
D793,099 S \* 8/2017 Bailey ..... D6/309  
D857,648 S \* 8/2019 Okuley ..... D14/204  
D858,732 S \* 9/2019 Hyon ..... A61L 9/00  
D858,733 S \* 9/2019 Li ..... D23/356  
D878,339 S \* 3/2020 Chen ..... D23/366  
D880,774 S \* 4/2020 Babayan ..... D14/226  
D900,788 S \* 4/2020 Babayan ..... D6/309  
D901,459 S \* 11/2020 Wang ..... D14/216  
D902,883 S \* 11/2020 Zhao ..... D14/225  
D909,993 S \* 11/2020 Simonelli ..... D14/204  
D920,538 S \* 2/2021 Han ..... D10/2  
D923,767 S \* 5/2021 Zhang ..... D24/231  
D931,834 S \* 6/2021 Oram ..... D23/356  
D935,641 S \* 9/2021 Han ..... D14/216  
D937,436 S \* 11/2021 Zhou ..... D24/231  
D947,552 S \* 11/2021 He ..... D24/231  
D951,232 S \* 4/2022 Shin ..... D6/309  
2005/0263341 A1 \* 5/2022 Zhao ..... D24/231  
2010/0225012 A1 \* 12/2005 Minneci ..... H04R 1/025  
2010/0254800 A1 \* 181/154  
2013/0308813 A1 \* 9/2010 Fitton ..... F24F 6/14  
2021/0137266 A1 \* 261/28  
2022/0168538 A1 \* 10/2010 Fitton ..... F04D 33/00  
2022/0168538 A1 \* 415/90  
2022/0168538 A1 \* 11/2013 Santini ..... H04R 1/026  
2022/0168538 A1 \* 381/364  
2022/0168538 A1 \* 5/2021 Pestl ..... G06F 3/147  
2022/0168538 A1 \* 6/2022 Liu ..... A61L 9/04

\* cited by examiner

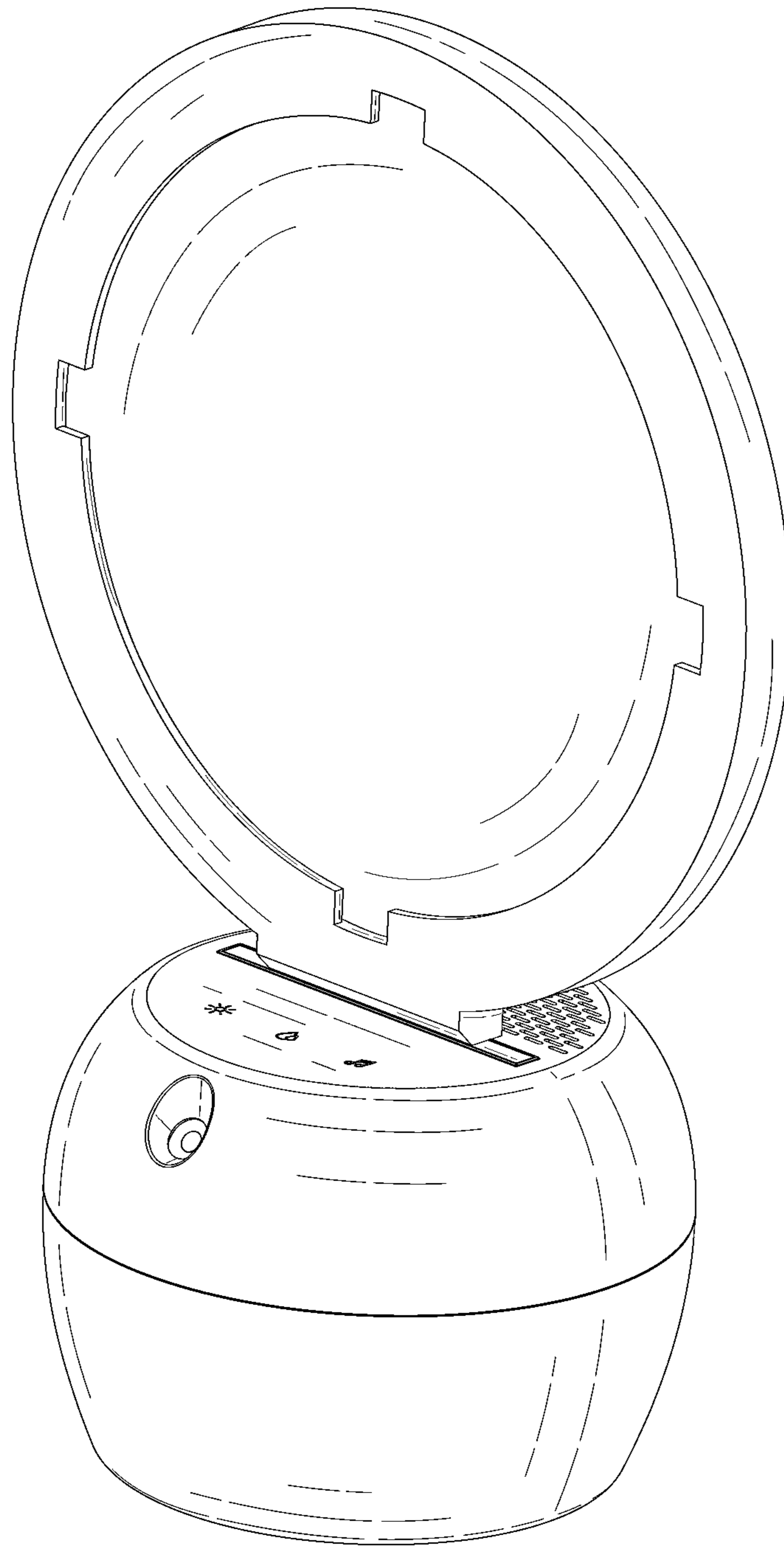


FIG. 1

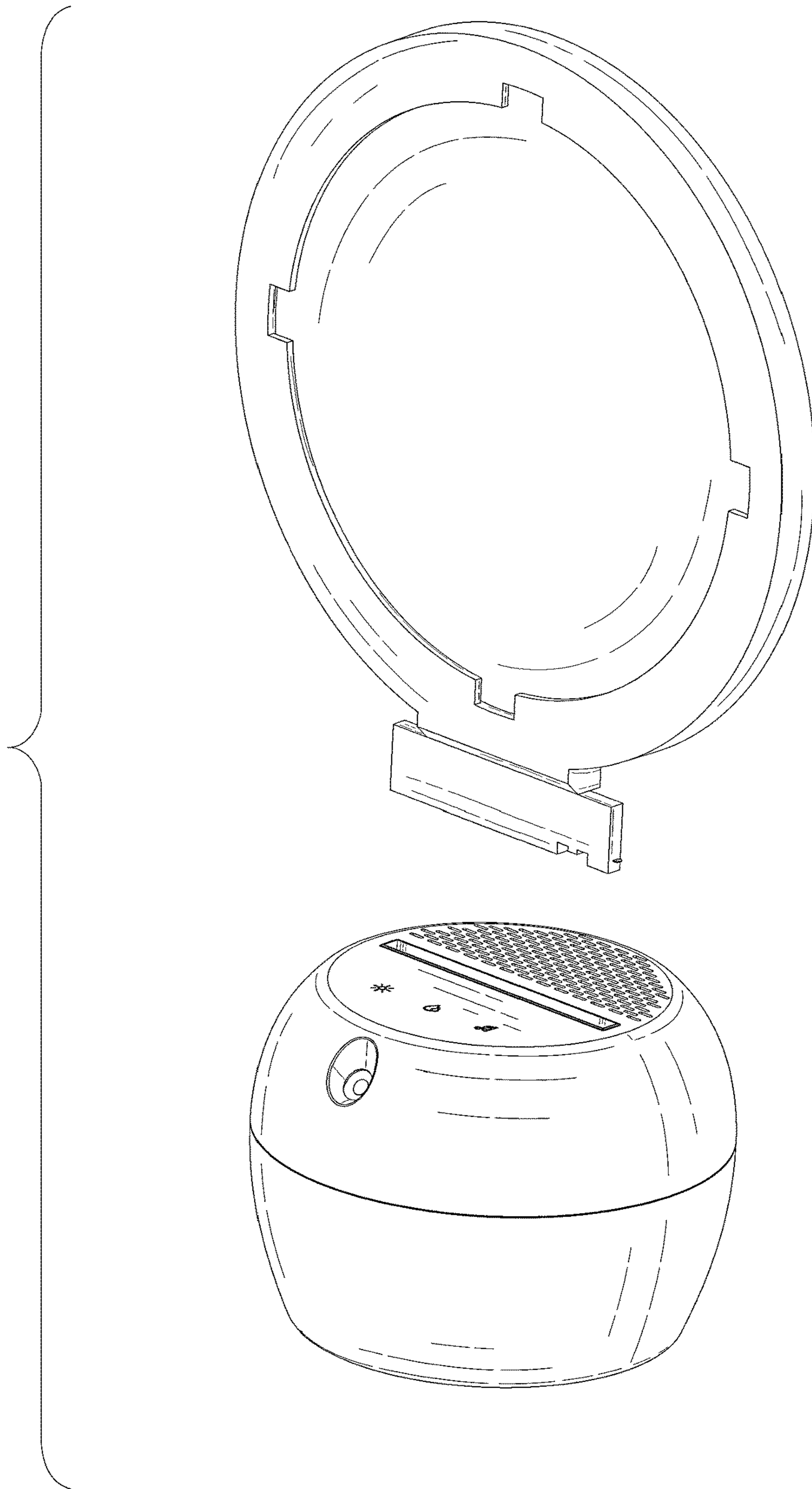


FIG. 2

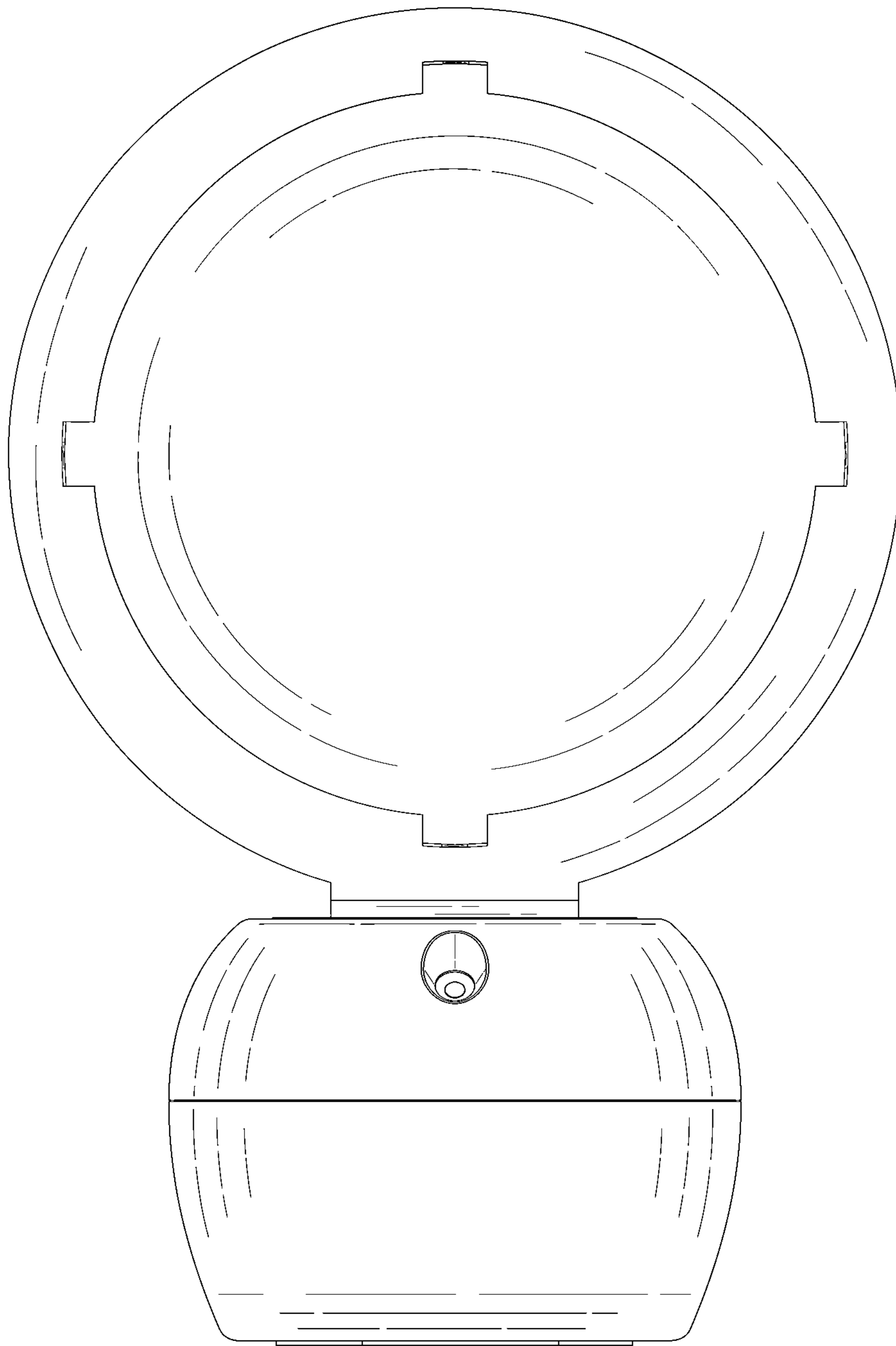


FIG. 3

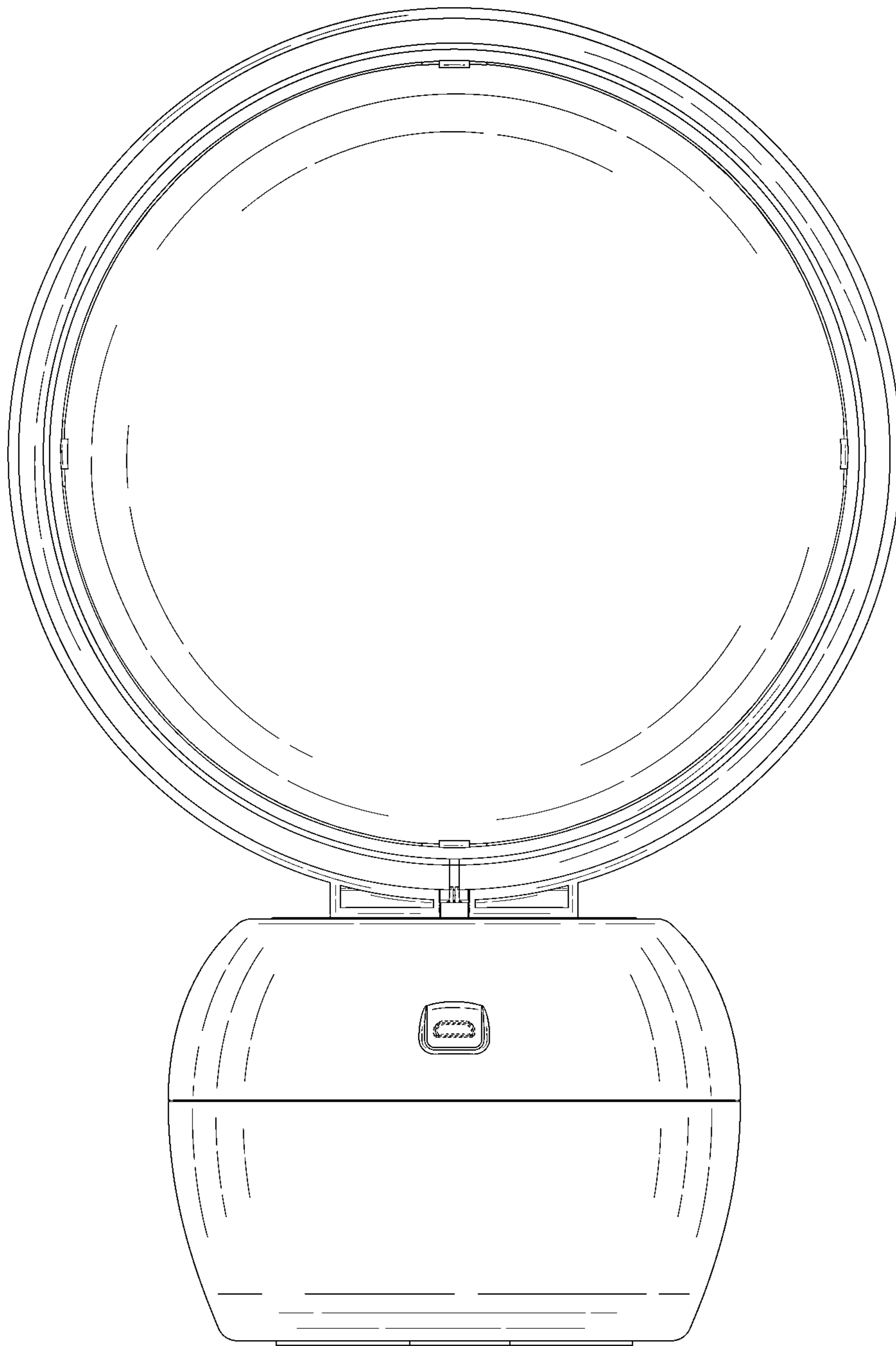


FIG. 4

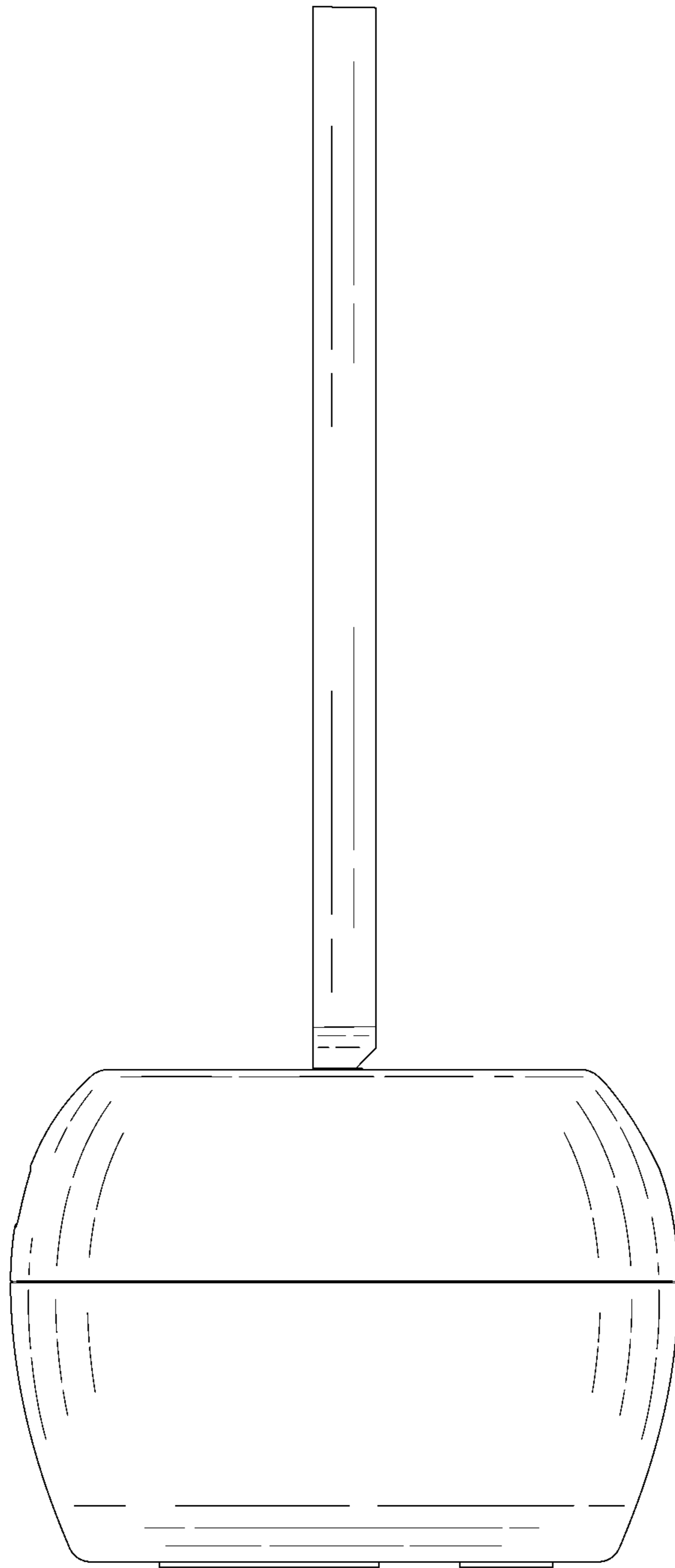


FIG. 5

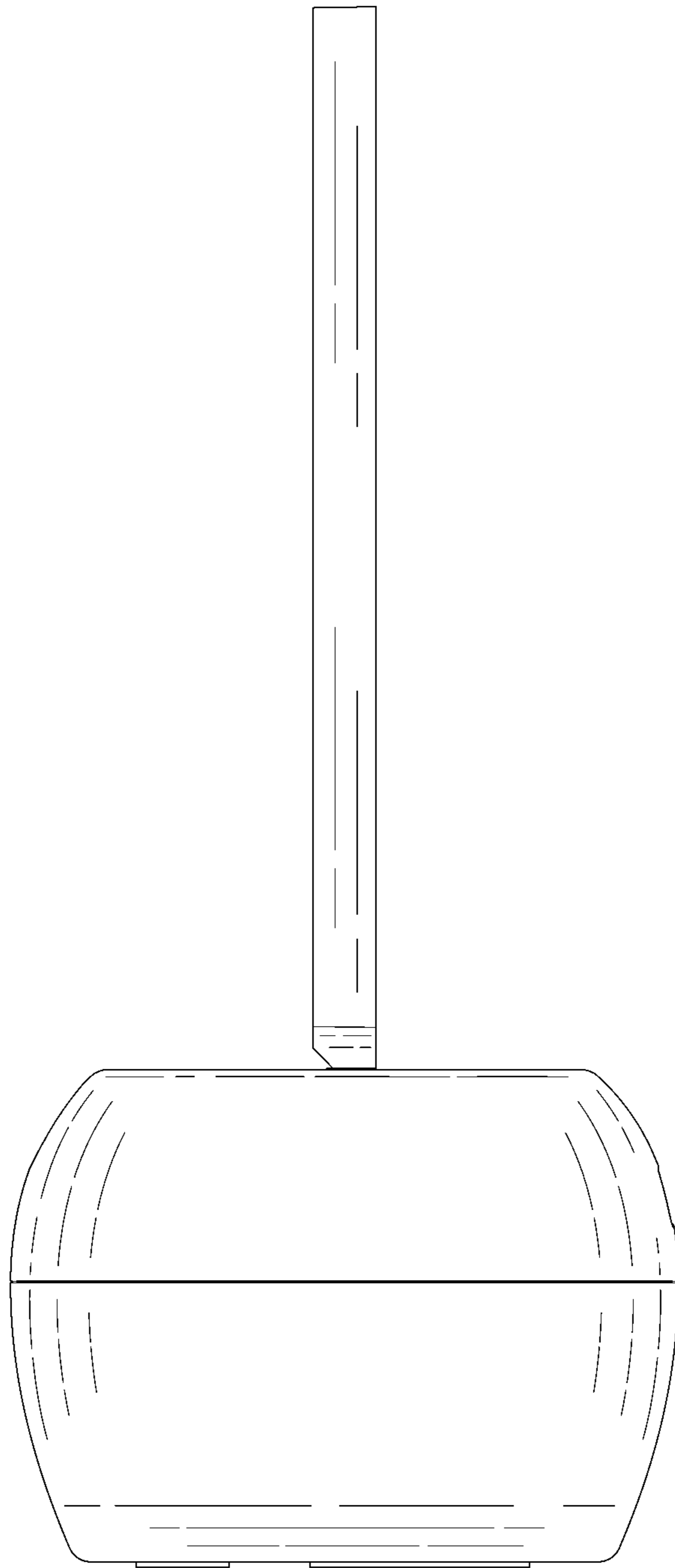


FIG. 6



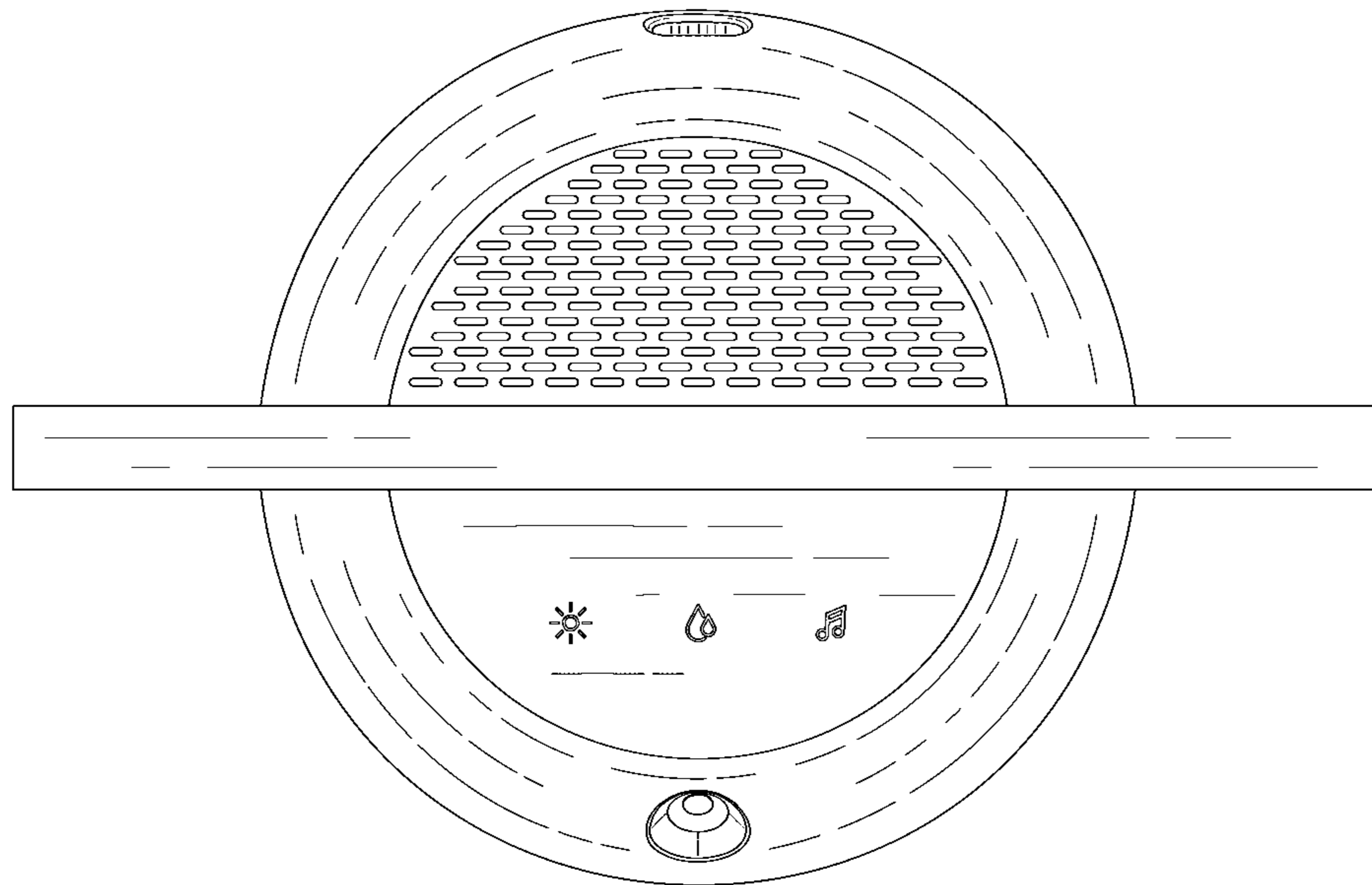


FIG. 7

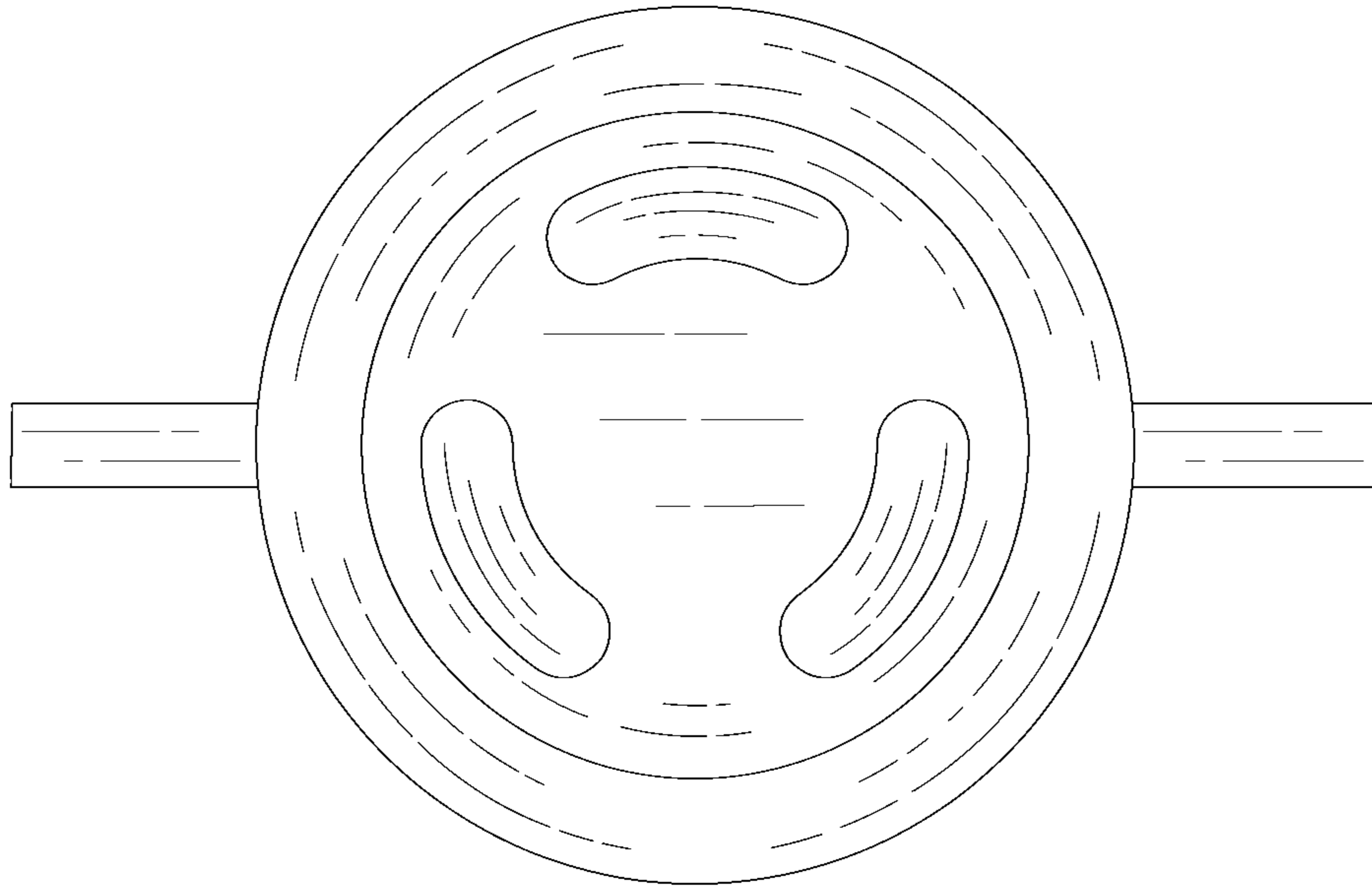


FIG. 8