



US00D971877S

(12) **United States Design Patent** (10) **Patent No.:** **US D971,877 S**
Yang (45) **Date of Patent:** **** Dec. 6, 2022**

(54) **COMMUNICATIONS HEADSET**

FOREIGN PATENT DOCUMENTS

(71) Applicant: **Plantronics, Inc.**, Santa Cruz, CA (US)

CA 186518 2/2020
CA 186519 2/2020

(72) Inventor: **Joseph W. Yang**, San Jose, CA (US)

(Continued)

(73) Assignee: **Plantronics, Inc.**, Santa Cruz, CA (US)

OTHER PUBLICATIONS

(**) Term: **15 Years**

Yang et al., "Communications Headset", Design U.S. Appl. No. 29/705,717, filed Sep. 13, 2019 (21 pages).

(21) Appl. No.: **29/840,428**

(Continued)

(22) Filed: **May 27, 2022**

Primary Examiner — Paula Allen Greene

Related U.S. Application Data

(74) *Attorney, Agent, or Firm* — Ferguson Braswell
Fraser Kubasta PC

(62) Division of application No. 29/769,584, filed on Feb. 5, 2021.

(51) **LOC (13) Cl.** **14-01**

(57) **CLAIM**

(52) **U.S. Cl.**

The ornamental design for a communications headset, as shown and described.

USPC **D14/206**; D14/226

(58) **Field of Classification Search**

DESCRIPTION

USPC D14/206, 226, 205, 225; D29/112;

2/209; 381/380–381, 370, 374, 379, 362

CPC H04R 25/00; H04R 25/02; H04R 1/1066;

H04R 1/1016; H04R 5/0335; H04R

11/04; H04R 1/1091; H04R 19/04

See application file for complete search history.

FIG. 1 is a front-left perspective view of a communications headset showing my new design;

FIG. 2 is a back-right perspective view thereof;

FIG. 3 is a front view thereof;

FIG. 4 is a back view thereof;

FIG. 5 is a right view thereof;

FIG. 6 is a left view thereof;

FIG. 7 is a top view thereof; and,

FIG. 8 is a bottom view thereof.

(56) **References Cited**

U.S. PATENT DOCUMENTS

D233,444 S * 10/1974 Christian D14/206

4,875,233 A * 10/1989 Derhaag H04M 1/05

379/430

5,369,857 A * 12/1994 Sacherman H04R 5/0335

379/430

5,951,141 A 9/1999 Bradley

D488,146 S * 4/2004 Minto D14/206

D494,154 S * 8/2004 Polito D14/206

7,106,873 B1 * 9/2006 Harrison H04R 25/48

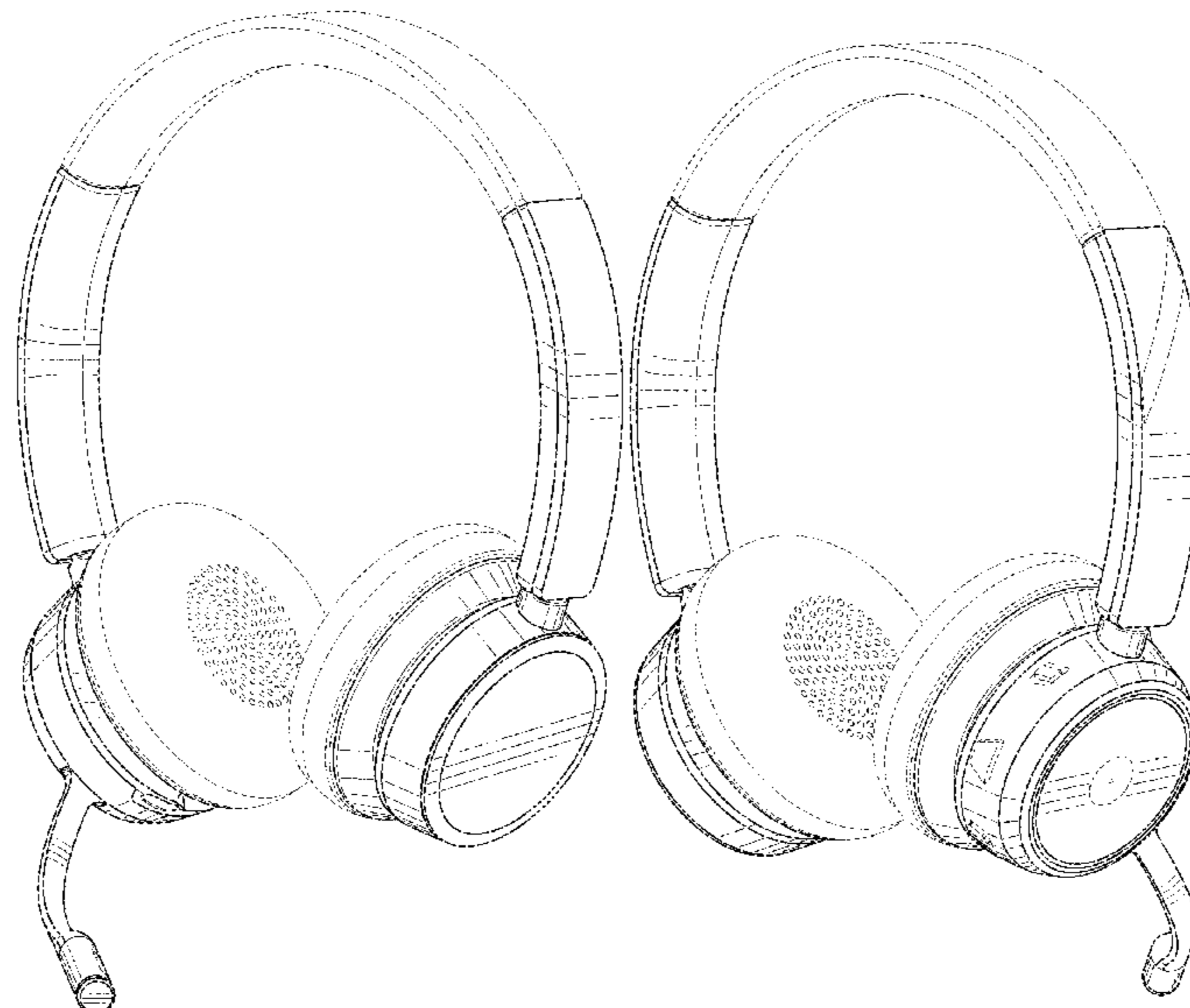
381/381

The ear cushion, holes, buttons, port, part of headband drawn in broken lines are for the purpose of illustrating portions of the communications headset that form no part of the claimed design.

The thin, black lines shown in long dashes with intermittent breaks are shading and/or tangent lines to show contour of the surfaces or curved edges of a communications headset, and do not actually appear on the surface of the device.

(Continued)

1 Claim, 8 Drawing Sheets



(56)

References Cited

U.S. PATENT DOCUMENTS

D587,683 S * 3/2009 Ham D14/205
 D635,962 S * 4/2011 Kelley D14/206
 D638,000 S 5/2011 Hoggarth
 D654,471 S 2/2012 Fischer
 D684,145 S * 6/2013 Rath D14/206
 D692,410 S 10/2013 Brunner et al.
 8,605,934 B2 12/2013 Hagberg et al.
 D713,817 S 9/2014 Paterson et al.
 D725,630 S 3/2015 Nakagawa
 9,031,254 B2 5/2015 Heise
 D733,090 S 6/2015 Petersen
 D734,296 S 7/2015 Paterson et al.
 D741,842 S 10/2015 Levine
 9,426,554 B2 * 8/2016 Dai H04R 1/1091
 9,706,281 B2 * 7/2017 Hernandez Vazquez
 H04R 1/1075
 D806,676 S 1/2018 Fuglsang
 D809,478 S 2/2018 Arimoto
 D820,812 S 6/2018 Bidwell et al.
 D822,638 S 7/2018 Liu
 D830,333 S * 10/2018 Carr D14/205
 D830,334 S * 10/2018 Carr D14/205
 D830,339 S 10/2018 Yan
 D836,085 S 12/2018 Sun et al.
 D843,967 S 3/2019 Paterson et al.
 D847,778 S 5/2019 Hardi
 D848,395 S 5/2019 Kelley
 D851,628 S 6/2019 Wernblad et al.
 D855,036 S 7/2019 Yan
 D856,303 S 8/2019 Ando et al.
 D864,155 S 10/2019 Liu
 D864,156 S 10/2019 Liu
 D866,508 S 11/2019 Lindof
 D866,509 S 11/2019 Lindof
 D866,510 S 11/2019 Lindof
 D866,511 S 11/2019 Lindof
 D866,513 S 11/2019 Lindof
 D866,514 S 11/2019 Lindof
 D867,330 S 11/2019 Lindof
 D867,331 S 11/2019 Lindof
 D869,430 S 12/2019 Rama et al.
 D870,069 S 12/2019 Hu
 D874,736 S * 2/2020 Bui D29/112
 D875,068 S * 2/2020 Nagamine D14/205
 D875,073 S * 2/2020 Pedersen D14/206
 D877,115 S 3/2020 Kelley
 D882,544 S 4/2020 Paterson et al.
 D883,253 S 5/2020 Kelley
 D885,364 S * 5/2020 Paterson D14/206
 D886,759 S * 6/2020 Bailey D14/149
 D895,570 S * 9/2020 Choi D14/205

D898,701 S 10/2020 Zhong
 D898,711 S * 10/2020 Pedersen D14/206
 D899,402 S 10/2020 Shen
 D906,282 S * 12/2020 Kelley D14/206
 D923,602 S * 6/2021 Kelley D14/206
 D926,724 S * 8/2021 D'Ambrosio D14/206
 D927,451 S * 8/2021 Paterson D14/206
 D927,452 S * 8/2021 Paterson D14/205
 D927,455 S * 8/2021 Yang D14/206
 D927,456 S * 8/2021 Paterson D14/206
 D927,457 S * 8/2021 Su D14/206
 D927,458 S * 8/2021 Su D14/206
 D927,459 S * 8/2021 Su D14/206
 D928,116 S * 8/2021 Su D14/206
 D935,440 S * 11/2021 Liu D14/206
 D940,685 S * 1/2022 He D14/206
 D940,686 S * 1/2022 Yang D14/206
 D942,414 S * 2/2022 Liu D14/206
 D951,907 S * 5/2022 Bellham D14/206
 2001/0036291 A1 11/2001 Pallai
 2005/0286717 A1 * 12/2005 Viduya H04M 1/18
 379/430
 2011/0135134 A1 6/2011 Essabar et al.
 2011/0228925 A1 9/2011 Birch
 2012/0070027 A1 * 3/2012 Ridler H04R 1/1066
 381/374
 2012/0328119 A1 12/2012 Heise
 2017/0041695 A1 2/2017 Hernandez Vazquez
 2020/0389719 A1 * 12/2020 Morris H04R 5/0335

FOREIGN PATENT DOCUMENTS

CN 306422137 * 3/2021
 CN 306810324 * 9/2021
 CN 307018871 * 12/2021
 CN 307129867 2/2022
 CN 307278941 * 4/2022
 CN 307278942 4/2022
 CN 307278943 * 4/2022
 CN 307293564 4/2022
 EM 007792767-0009 * 4/2020
 EM 007792767-0011 4/2020
 GB 9003787902-0001 3/2017
 JP D1711332 3/2022
 TW 208355-0001 9/2019
 TW 209304-001 9/2019

OTHER PUBLICATIONS

Wang et al., "Communications Headset", Design U.S. Appl. No. 29/734,291, filed May 11, 2020 (23 pages).

* cited by examiner

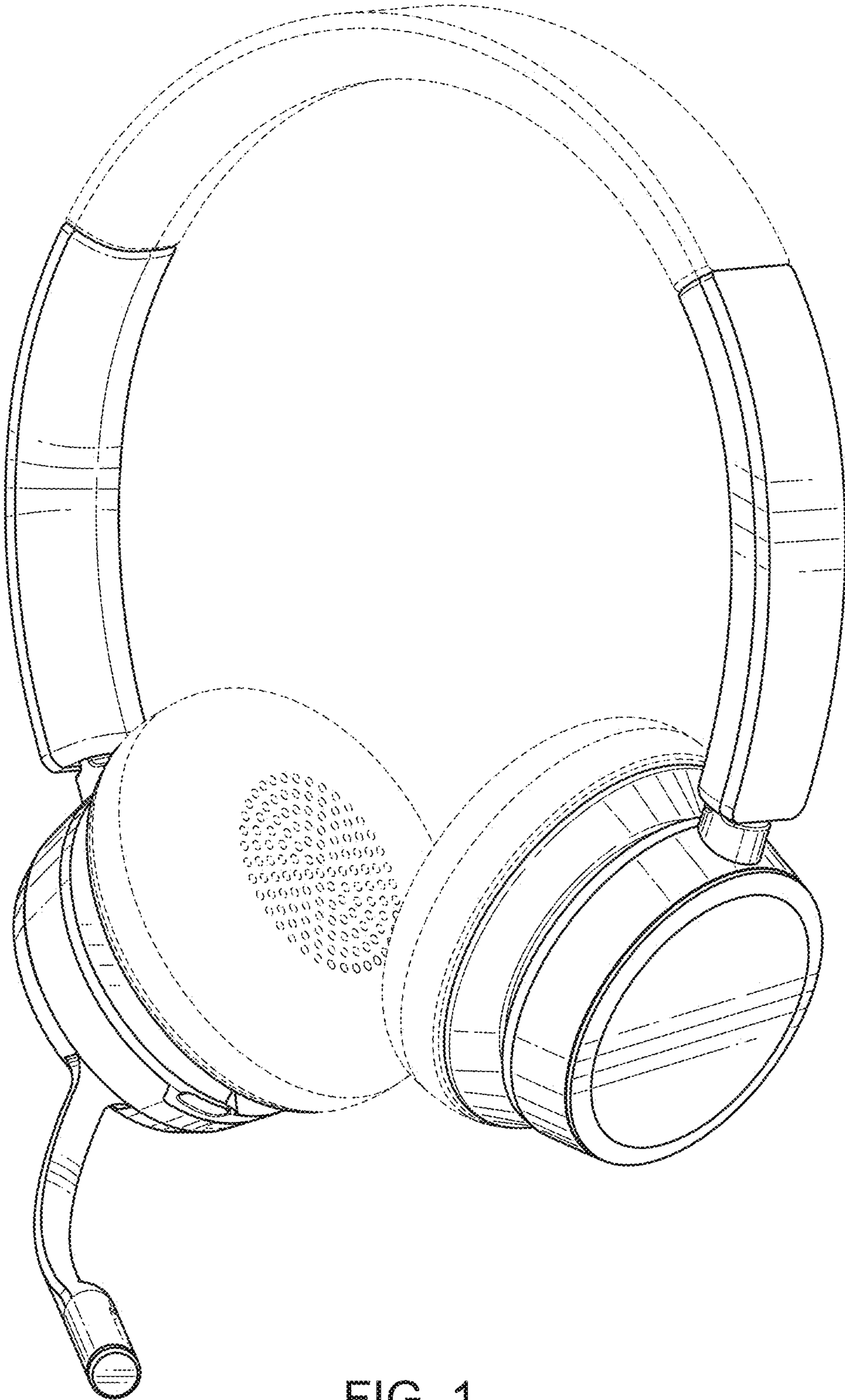


FIG. 1



FIG. 2

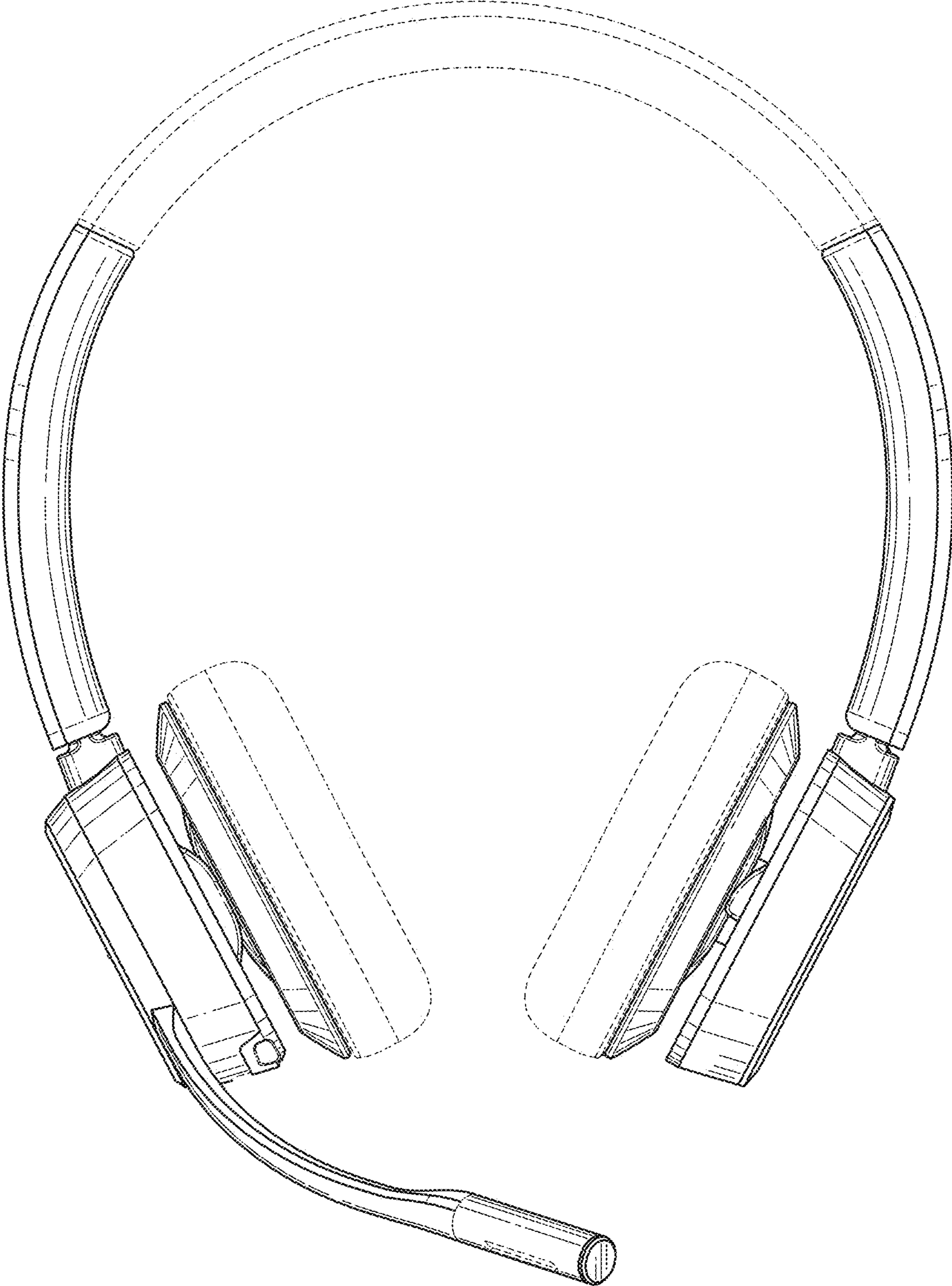


FIG. 3

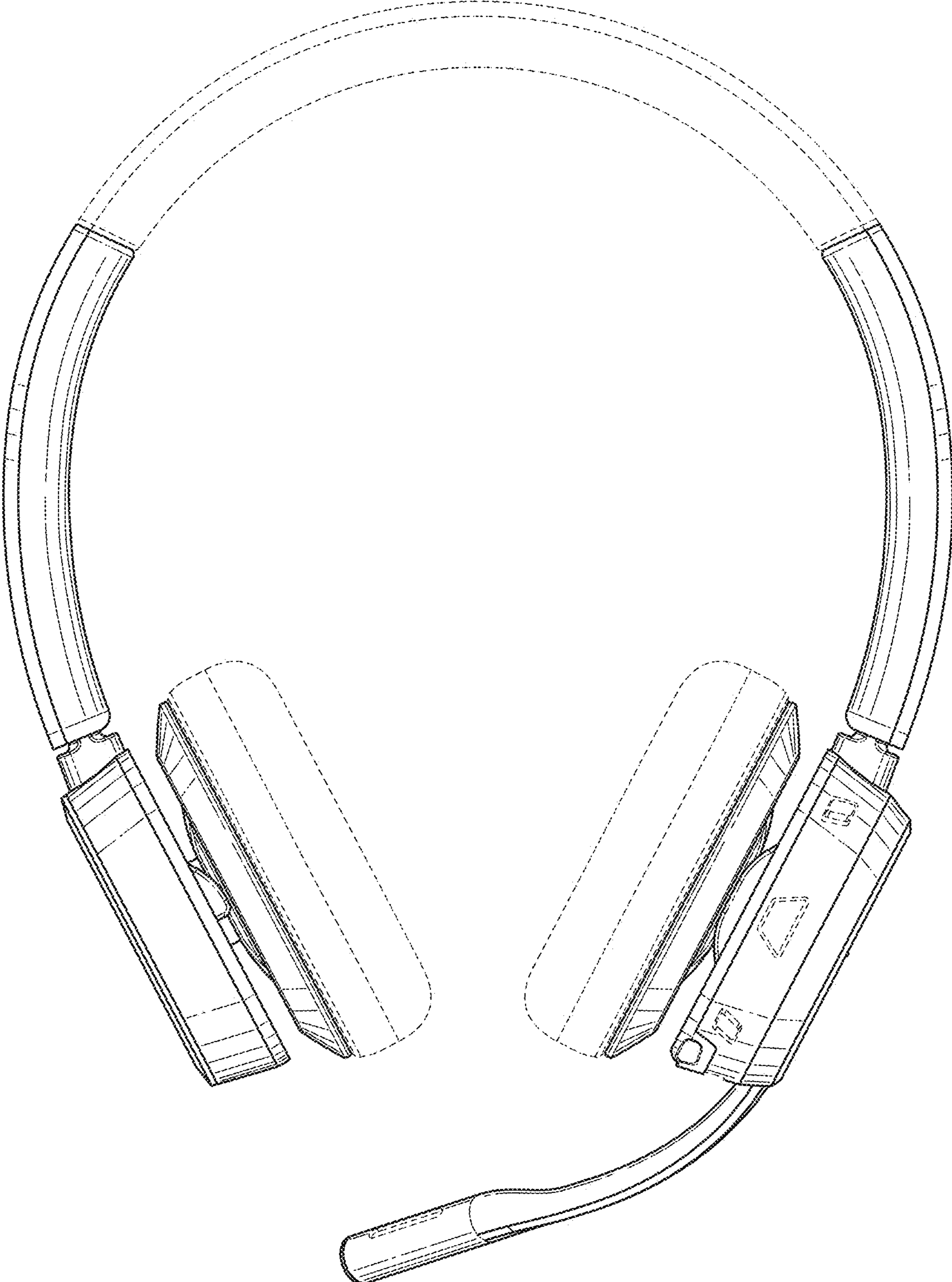


FIG. 4

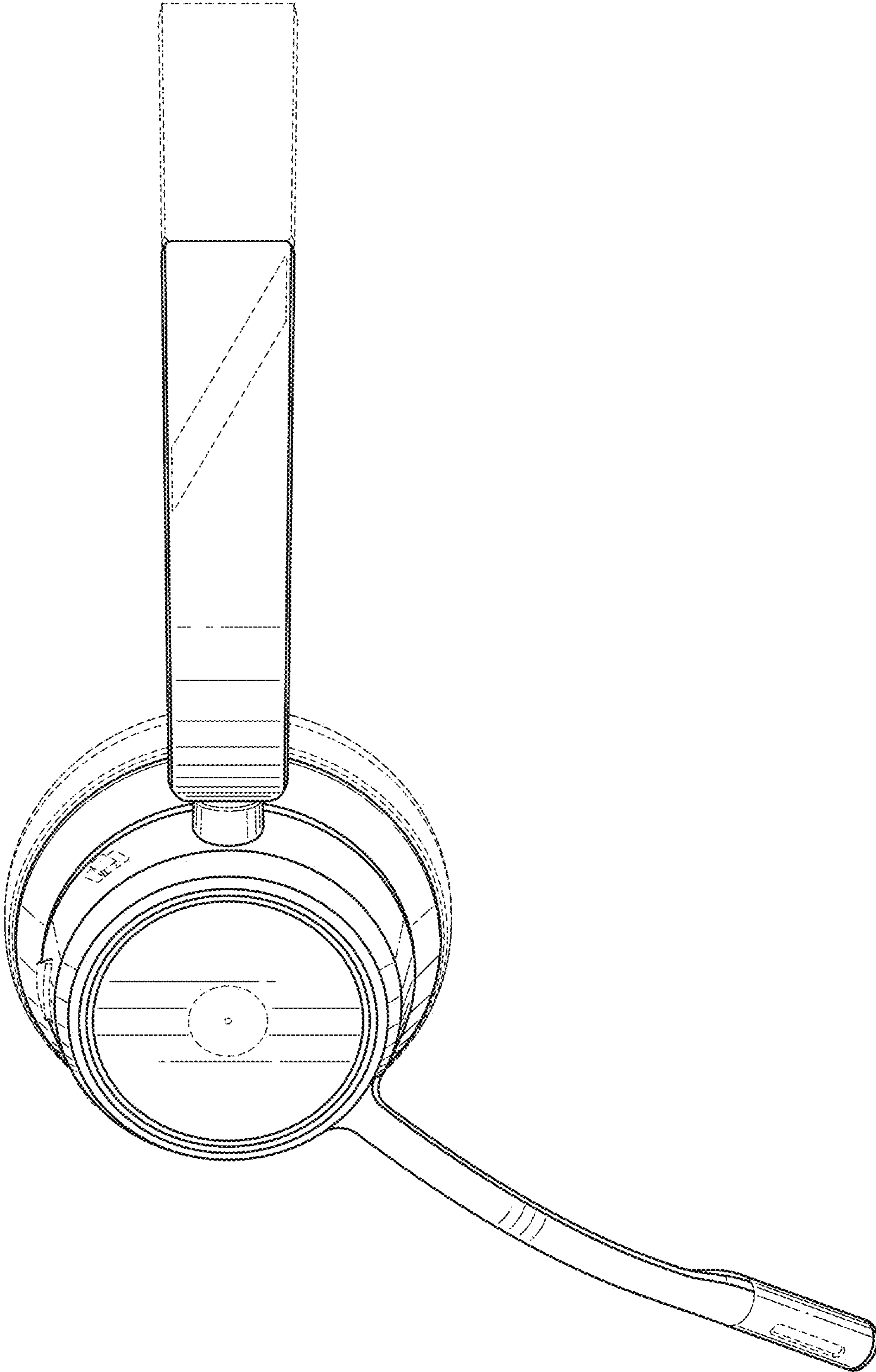


FIG. 5

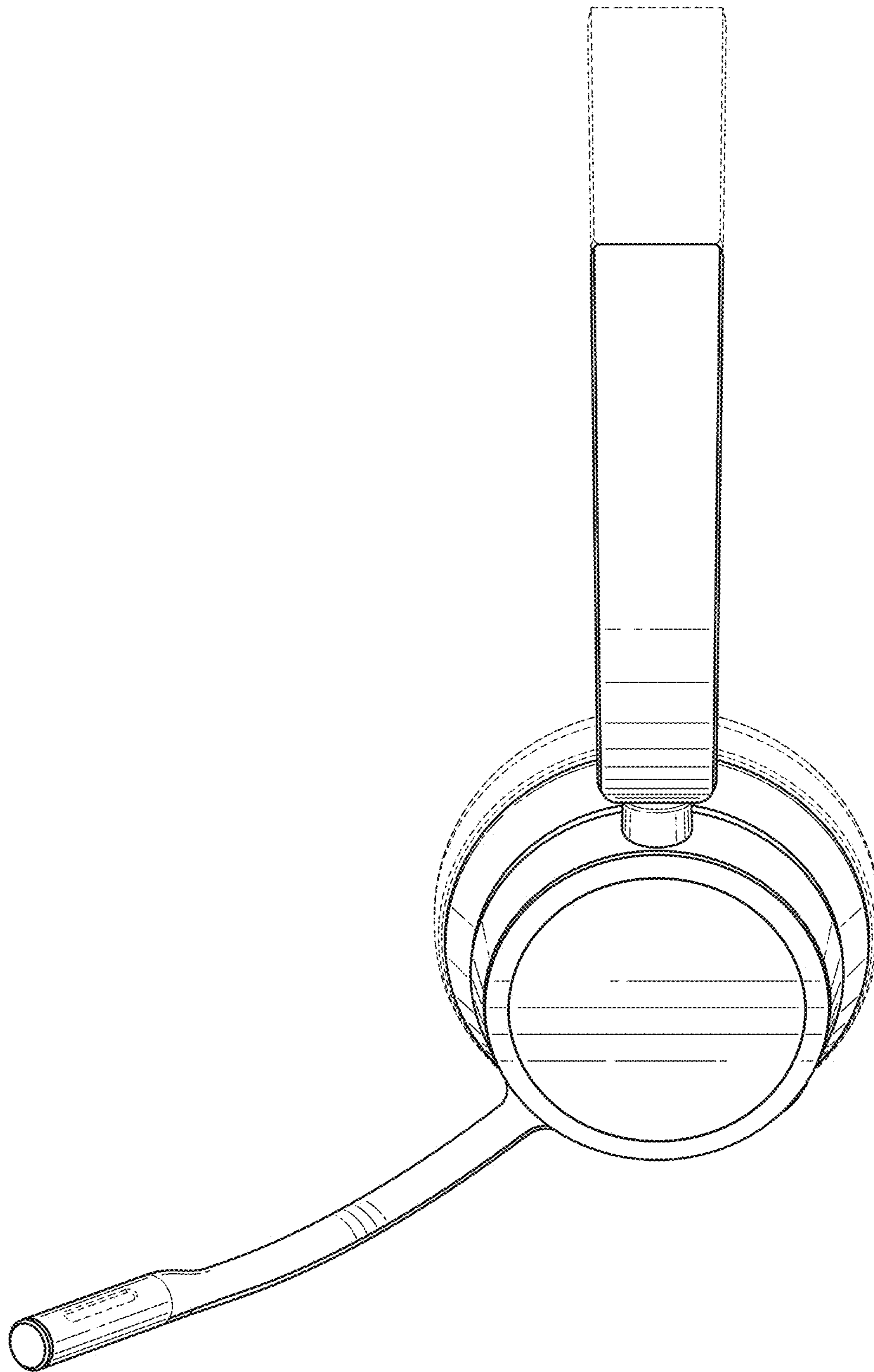


FIG. 6

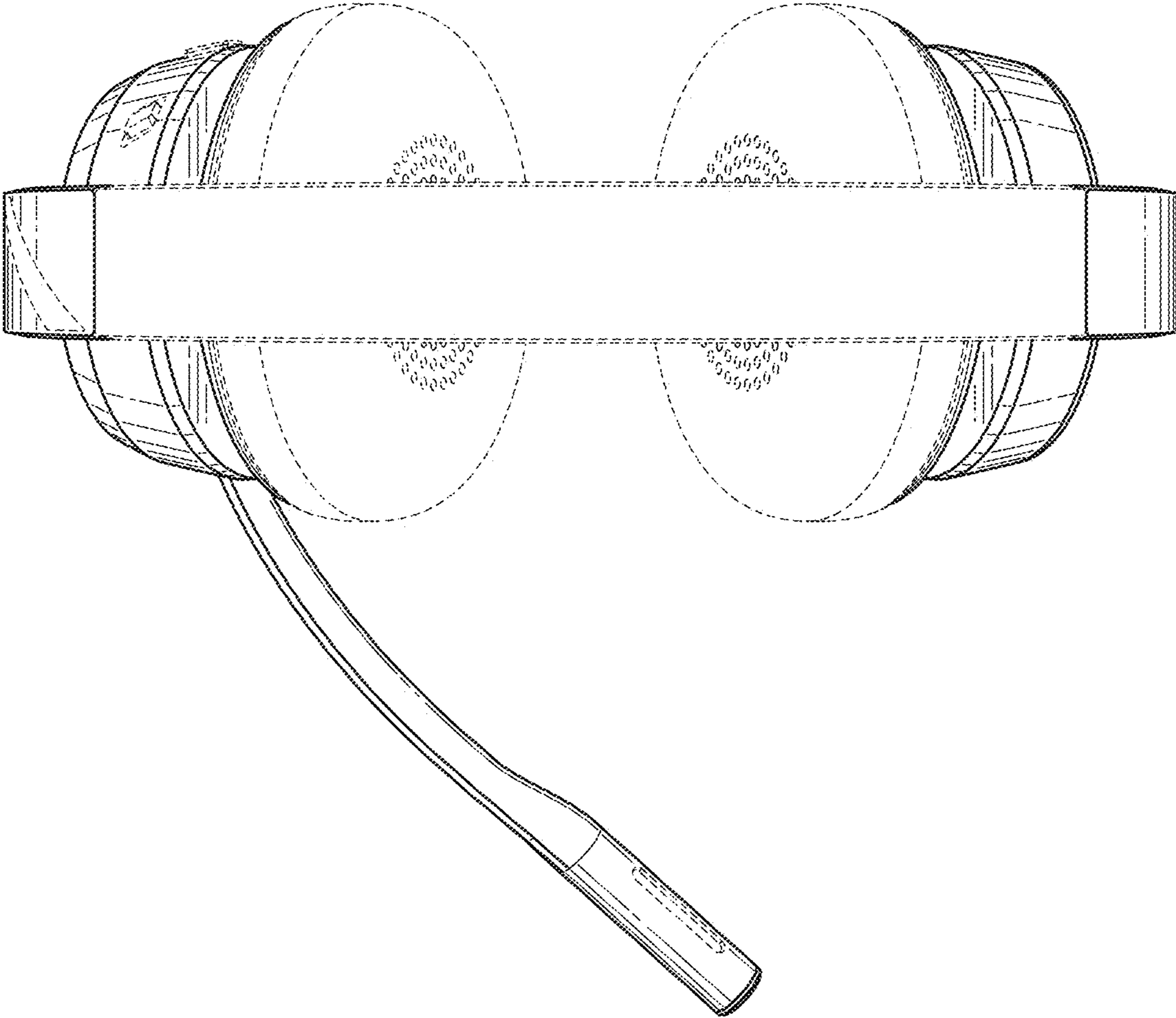


FIG. 7

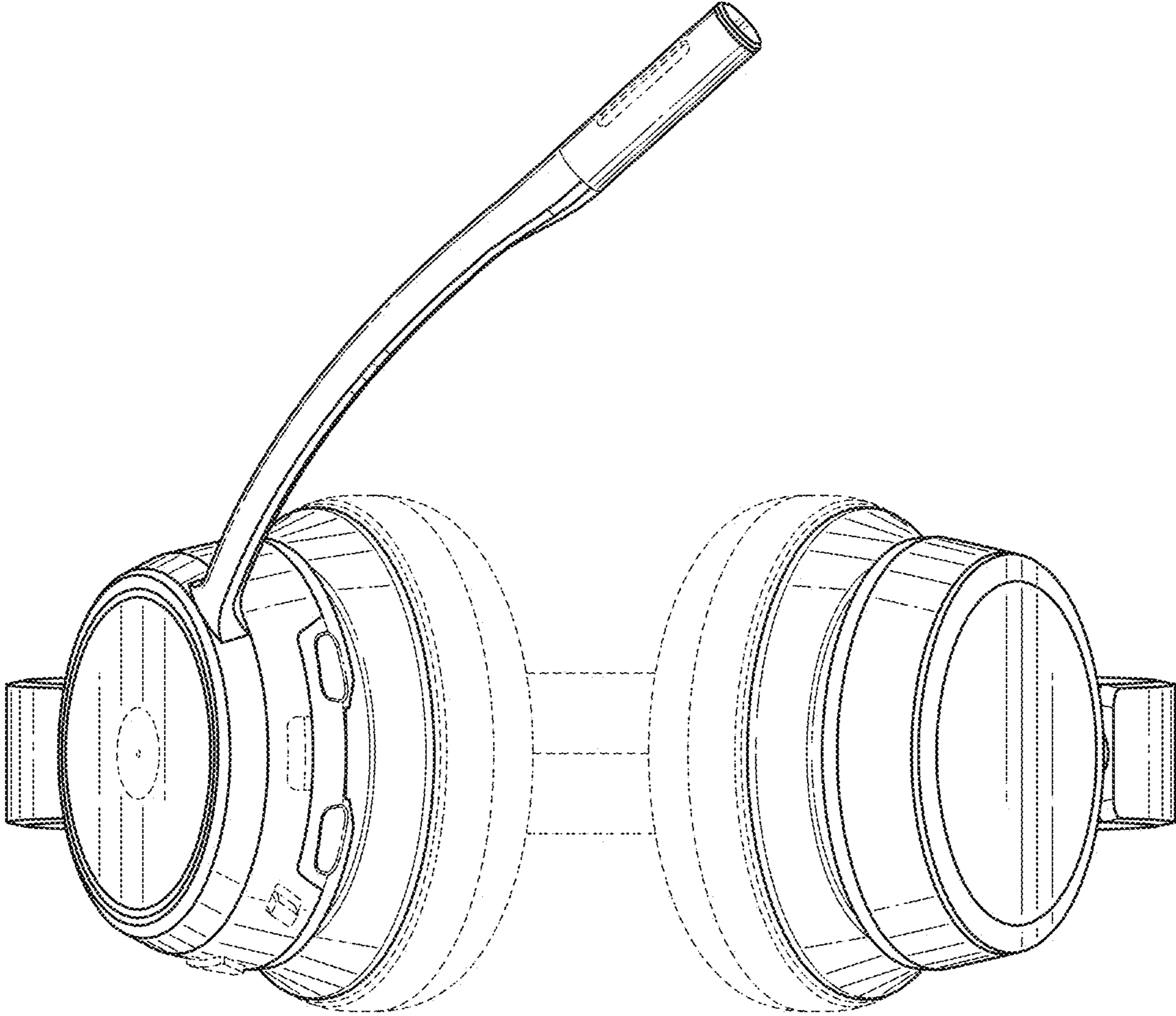


FIG. 8